

Holedall Coupling Machines

Rams securely attach Holedall couplings to hose. Five machines meet every hose service requirement.

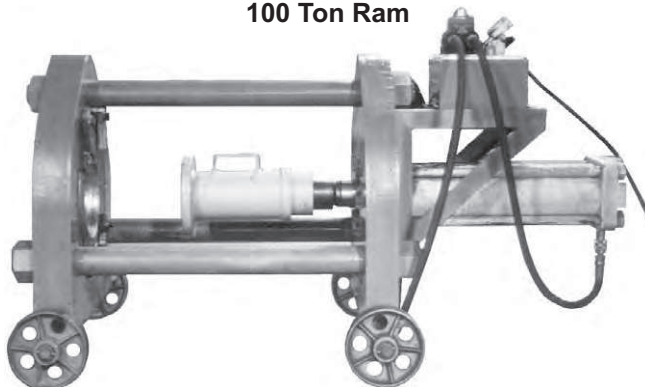
Rams, are powerful finely engineered machines designed specifically to externally swage and internally expand Holedall couplings by hydraulic pressure. Since each ram generates all the hydraulic pressure required to attach the Holedall coupling, one person can easily operate the equipment.

15 Ton Ram



Specially designed ram for internally expanded couplings only. Bench mounted model (optional stand available), producing up to 10,000 PSI, for up to 15 tons of ram force. Capable of expanding 1" through 3" steel fittings and 3/4" through 4" brass Holedall Petroleum fittings. The motor is 1/2 h.p., 115 volt 60 cycle, single phase with foot pedal.

100 Ton Ram



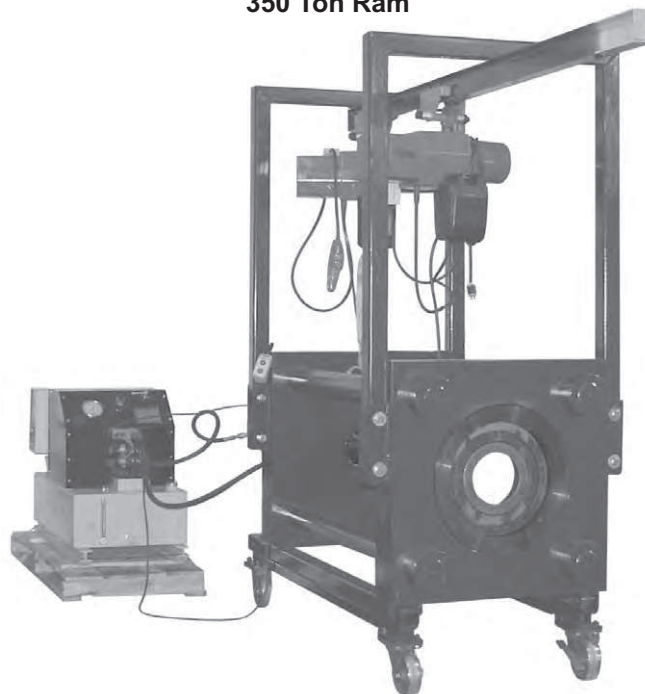
Used for externally swaging Holedall fittings to hose from 1 1/4" through 10" ID. With optional accessories, this ram may be used for internally expanded couplings on hose from 1 1/4" through 6". This machine is capable of producing up to 100 tons of ram force. A 1-1/8 h.p., 115 volt, 60 cycle, single phase motor is standard with remote, (220/440 volt motors are available).

25 Ton Ram



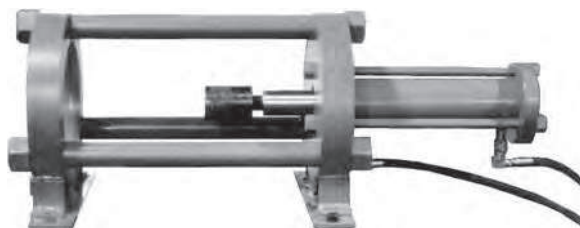
Free standing model producing up to 10,000 PSI of line pressure for up to 25 tons of ram force. Capable of external swaging 1/4" through 4" ID hose and internal expanding 5/8" through 4" ID hose, with proper equipment. The motor is 1/2 h.p., 115 volt 60 cycle, single phase with foot pedal. High speed pump kit option is available.

350 Ton Ram



Used for externally swaging Holedall and Rotary fittings. This ram is capable of producing up to 354 tons of ram force for swaging. A 14" 150 lb. flange will fit through the bed plate. This ram has 36" of stroke. A 12.5 h.p., 230 volt, 60Hz, 3 phase motor is standard with remote.

50 Ton Ram



Bench mounted model (optional stand available), producing up to 10,000 PSI, for up to 50 tons of ram force. Capable of external swaging 1 1/4" through 6" ID hose and internal expanding 5/8" through 6" ID hose, with proper equipment. A 1-1/8 h.p., 115 volt, 60 cycle, single phase motor is standard with remote, (220/440 volt motors are available).

All Rams require dies of the proper size to reduce the ferrule to the proper diameter for a good grip on the hose. Pushers of the proper size must be used on the end of the Ram to push the Holedall fitting through the die. Die and pusher selection depends on the sizes and types of hoses being coupled. Ferrule recommendations and a Die Chart binder are available upon request. Consult your Dixon representative for specific details.

Recommended Working Pressures

SAFETY ALERT Holedall couplings, regardless of coupling style, are never to be used for steam service at any pressure. Holedall fittings listed below are not to be used with cable reinforced high-pressure hose, 4 or 6 braid wire hydraulic hose or any other service not listed in recommendations. In addition, Internally Expanded Holedall couplings are not to be used with plastic lined chemical hose. Consult Dixon for recommendations on usage.

Holedall couplings (Externally Swaged), to perform satisfactorily, must be applied properly in accordance with Dixon's assembly procedures, using correct die and ferrule for that particular hose end OD. Dixon's Die and Ferrule Recommendation Guide is to be used to select correct dies and ferrules. If you do not have the updated Die and Ferrule Recommendation Guide, consult the Dixon factory. Strict adherence to ferrule OD range (Internally Expanded) for each hose end to be assembled is essential for satisfactory performance.

Note: Hose service working pressure (including surges and spikes) is never to exceed the maximum recommended working pressure for the fitting (reference chart below)*. Media being transported through the hose should be compatible with the stem material. Compatibility of ferrule material with the environment in which it will be used is recommended. Consult Compatibility Chart on pages 635-640 or the Dixon factory for material compatibility. For applications other than the ones listed, please consult the Dixon factory.

Size	Externally Swaged				Internally Expanded			
	Standard Fittings ¹	Long Style Fittings ¹	Light Duty Fittings		Holedall II Fittings ¹	Cam and Groove ¹	Internally Expanded ¹	Flow Chief / Crimp Sanitary Fittings ¹
			NO Notched Fittings ¹	NOS Notched Short Fittings ¹				
	TM, TP, TG, TMR, TPR, TGR	TML, TPL, TGL	TM, TP, TG, RN***NO	RST***NOS, STC***NOS, GAS***NOS	FW		IXM, IXV, IXH	IXSE, IXFS, IXMS, CSSR
3/4"	---	---	---	---	---	---	---	---
1"	---	---	---	---	---	250	---	---
1-1/4"	600	1,000	350	---	---	---	800	---
1-3/8"	---	---	---	---	---	---	---	---
1-1/2"	600	1,000	350	250	300	250	800	250
2"	600	1,000	350	250	300	250	800	250
2-1/2"	600	1,000	250	---	250	150	600	250
3"	600	1,000	250	250	200	125	600	250
4"	500	850	250	***	200	100	500	200
5"	450	750	---	---	---	---	---	---
6"	400	700	---	---	---	---	400	---
8"	350	600	---	---	---	---	---	---
10"	300	550	---	---	---	---	---	---

¹ maximum recommended working pressures, in PSI, at 70°F ambient temperature

* The assembly's (hose + coupling) maximum working pressure is the lesser of:

- 1) The hose rated working pressure, or
- 2) The coupling rated working pressure

** For hoses which use IXF48-3 to IXF48-5 and IXF64-2 to IXF64-5, consult the Dixon factory for working pressures. See notes below for specific recommendations.

Standard Fittings

Recommended for use on most one and two wire braid reinforced hoses, fiber reinforced (braided or spiraled) with or without helical wire such as: oil suction and discharge hose, barge and dock loading and unloading hose as well as L.P. gas hose, anhydrous ammonia hose, acid chemical hose and high pressure air and water hose.

Long Style Fittings

Recommended for use on hose as listed under standard fittings where additional retention is required due to higher working pressures or end pull. Consult maximum working pressure chart or call the Dixon factory.

Holedall II Fittings

Recommended for Royalflex 1193 and 1196 hose or hoses with similar construction, having helical wire for a given OD range.

Light Duty Fittings

Recommended for use in the same applications as standard fittings above where lower working pressures are encountered. Consult maximum working pressure chart or consult the Dixon factory.

Internally Expanded Fittings

Recommended for concrete placement, grout and plaster, food, dairy, pharmaceutical as well as other applications where increased flow capacity is important. Consult maximum working pressure chart or call the Dixon factory for additional application and working pressure information.

Holedall External Swage Coupling System

The Holedall coupling system provides outstanding strength, durability and safety.

The Holedall system is a method of attaching couplings to hose utilizing a progressive swage. The patented Holedall couplings include a Holedall stem and a specially engineered ferrule. The hydraulic swaging of the coupling to the hose is accomplished by pushing the ferrule through a die which reduces the ferrule OD, thus providing a 360° uninterrupted compression band around the hose.

A hydraulic ram is the only piece of machinery necessary to accomplish the coupling. Available in five different sizes - 15, 25, 50, 100 and 350 ton - these rams will accommodate dies and pushers of various sizes so that hoses up to 10" in diameter may be coupled.

This multi-purpose, high pressure coupling system requires no bolts and results in a clean coupling with no protrusions. The swaging operation is fast and hose of various lengths and different styles can be coupled. Ease of operation, flexibility and economy make the Holedall method an unequalled assembly system.

The Holedall coupling - the most adaptable coupling available.

Holedall couplings provide long-lasting efficiency and safety.

Couplings are available in stainless steel and carbon steel.

Couplings are furnished with pipe thread, plain end, victaulic grooved or flanged ends.

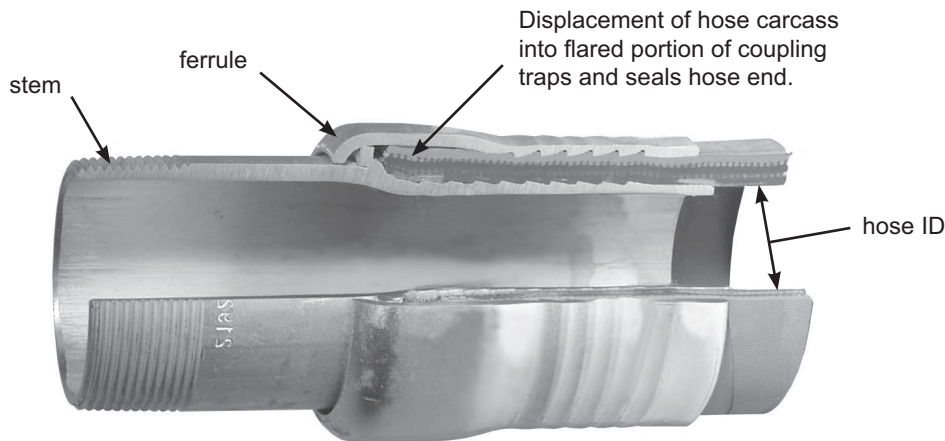
Dixon Holedall stems and ferrules are specifically designed to be used together as a coupling system.

SAFETY
ALERT

Due to differences in dimensions and tolerances, for safety reasons, do not use other manufacturer's stems or ferrules with Dixon Holedall products.

SAFETY
ALERT

Streamlined, lightweight coupling consisting of ferrule and stem.
No protrusions to snag on equipment.



Cross-section of holedall externally swaged assembly

External Swage Stems

- Designed for hose ID's 1¼" - 10". The ferrule size depends on the hose OD. Consult the next page for selection of the correct ferrule. Stems are supplied in plated carbon steel and 316 stainless steel.
- for higher working pressure applications use long style stems and ferrules

Male Pipe Threaded (NPT) End



tubular type



investment cast design

Hose ID	Carbon Steel		316 Stainless		Long Style Carbon Steel	
	Part #	Price/E	Part #	Price/E	Part #	Price/E
1¼"	TM20	\$48.20	TMR20	\$75.20	TML20	\$58.00
1½"	TM24	55.00	TMR24	72.40	TML24	65.90
2"	TM32	40.00	TMR32	83.40	TML32	57.10
2½"	TM40	74.90	TMR40	201.00	TML40	83.00
3"	TM48	70.00	TMR48	182.00	TML48	94.75
4"	TM64	85.80	TMR64	288.20	TML64	140.00
5"	TM80	241.00	---	---	TML80	400.00
6"	TM96	220.00	TMR96	705.00	TML96	341.00
8"	TM128	258.50	---	---	TML128	371.00
10"	TM160	557.75	---	---	TML160	680.00

Hose ID	316 Stainless Steel		Price/E
	Part #		
1½"	TMR24C		\$47.25
2"	TMR32C		54.30
3"	TMR48C		111.30

Beveled End for Welding



tubular type

Grooved End (Victaulic)



tubular type

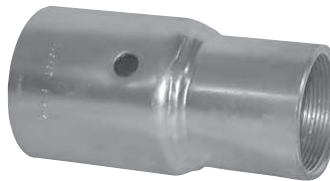
Hose ID	Carbon Steel		316 Stainless		Long Style Carbon Steel	
	Part #	Price/E	Part #	Price/E	Part #	Price/E
1¼"	TP20	\$48.20	---	---	TPL20	\$58.00
1½"	TP24	55.00	---	---	TPL24	65.90
2"	TP32	40.00	TPR32	\$113.00	TPL32	57.10
2½"	TP40	74.90	---	---	TPL40	94.75
3"	TP48	70.00	TPR48	210.00	TPL48	94.75
4"	TP64	85.80	TPR64	320.00	TPL64	140.00
5"	TP80	244.00	---	---	TPL80	400.00
6"	TP96	220.00	---	---	TPL96	341.00
8"	TP128	258.50	---	---	TPL128	371.00
10"	TP160	580.00	---	---	TPL160	680.00

Hose ID	Carbon Steel		316 Stainless		Long Style Carbon Steel	
	Part #	Price/E	Part #	Price/E	Part #	Price/E
1¼"	TG20	\$48.20	---	---	TGL20	0
1½"	TG24	55.00	TGR24	\$72.40	TGL24	0
2"	TG32	53.80	TGR32	83.40	TGL32	0
2½"	TG40	85.00	TGR40	201.00	TGL40	0
3"	TG48	81.10	TGR48	182.00	TGL48	0
4"	TG64	91.25	TGR64	302.60	TGL64	0
5"	TG80	241.00	---	---	TGL80	0
6"	TG96	220.00	---	---	TGL96	0
8"	TG128	258.50	---	---	TGL128	0
10"	TG160	580.00	---	---	TGL160	0

Female End



stem and ferrule - two piece design
1" sizes



stem and ferrule - one piece design
1¼" - 2" sizes

tubular type

Hose ID	Hose OD		Carbon Steel	
	from	to	Part #	Price/E
1"	1-30/64"	1-34/64"	TF16WF1-80	\$46.70
	1-34/64"	1-38/64"	TF16WF2-80	46.70
	1-35/64"	1-42/64"	TF16WF3-80	46.70
1¼"	1-44/64"	1-48/64"	TF20WF1-80 ¹	149.00
	1-49/64"	1-56/64"	TF20WF2-80 ¹	149.00
	1-57/64"	2"	TF20WF3-80 ¹	149.00
2"	2-36/64"	2-40/64"	TF32WF1-80 ¹	162.75
	2-41/64"	2-48/64"	TF32WF2-80 ¹	162.75
	2-49/64"	2-56/64"	TF32WF3-80 ¹	162.75

¹ Special pusher required for 1¼" and 2" sizes:

1¼" **25PUSH125-MOD**

2" **25PUSH200-MOD**



External Swage Ferrules

The selection of ferrules is very important to achieve the proper coupling-to-hose assembly.

- ferrules are plated carbon steel
- style F ferrules are used with all standard length male stems
- style FL ferrules are extra long and are used with all long style stems



Hose ID	Hose OD		Plated Carbon Steel		Long Style Plated Carbon Stl.	
	from	to	Part #	Price/E	Part #	Price/E
1¼"	1-44/64"	1-48/64"	F20-1	\$42.80	FL20-1	\$61.45
	1-49/64"	1-56/64"	F20-2	42.80	FL20-2	61.45
	1-57/64"	2"	F20-3	47.15	FL20-3	61.45
	2-1/64"	2-8/64"	F20-4	47.15	FL20-4	61.45
1½"	1-58/64"	2"	F24-1	37.35	FL24-1	56.85
	2-1/64"	2-8/64"	F24-2	37.35	FL24-2	56.85
	2-9/64"	2-16/64"	F24-3	40.40	FL24-3	56.85
	2-17/64"	2-24/64"	F24-4	43.00	FL24-4	56.85
	2-25/64"	2-32/64"	F24-5	43.00	FL24-5	56.85
2"	2-28/64"	2-40/64"	F32-1	38.00	FL32-1	57.00
	2-41/64"	2-48/64"	F32-2	38.00	FL32-2	57.00
	2-49/64"	2-56/64"	F32-3	44.70	FL32-3	57.00
	2-57/64"	3-2/64"	F32-4	44.70	FL32-4	57.00
2½"	2-62/64"	3-8/64"	F40-1	57.70	FL40-1	80.00
	3-9/64"	3-16/64"	F40-2	57.70	FL40-2	80.00
	3-17/64"	3-24/64"	F40-3	57.70	FL40-3	80.00
	3-25/64"	3-32/64"	F40-4	70.00	FL40-4	80.00
	3-33/64"	3-40/64"	F40-5	70.00	FL40-5	80.00
3"	3-30/64"	3-40/64"	F48-1	48.70	FL48-1	94.20
	3-41/64"	3-48/64"	F48-2	53.55	FL48-2	94.20
	3-49/64"	3-56/64"	F48-3	56.50	FL48-3	94.20
	3-57/64"	4"	F48-4	73.20	FL48-4	94.20
	4-1/64"	4-8/64"	F48-5	68.00	FL48-5	94.20
4"	4-30/64"	4-39/64"	F64-Z ¹	94.00	FL64-Z ²	120.00
	4-40/64"	4-44/64"	F64-1	94.00	FL64-1	120.00
	4-45/64"	4-52/64"	F64-2	94.00	FL64-2	120.00
	4-53/64"	4-60/64"	F64-3	94.00	FL64-3	120.00
	4-61/64"	5-4/64"	F64-4	94.00	FL64-4	120.00
	5-5/64"	5-12/64"	F64-5	104.00	FL64-5	120.00
	5-13/64"	5-20/64"	F64-6	104.00	FL64-6	120.00
	5-21/64"	5-28/64"	F64-7	104.00	FL64-7	120.00
5"	5-29/64"	5-36/64"	F64-8	104.00	FL64-8	120.00
	5-56/64"	5-60/64"	F80-1	240.00	FL80-1	0
	5-61/64"	6-4/64"	F80-2	240.00	FL80-2	0
	6-5/64"	6-12/64"	F80-3	250.00	FL80-3	0
	6-13/64"	6-20/64"	F80-4	0	FL80-4	0
	6-21/64"	6-28/64"	F80-5	0	FL80-5	0
	6-29/64"	6-38/64"	F80-6	0	FL80-6	0
	6-37/64"	6-44/64"	F80-7	0	FL80-7	0

Hose ID	Hose OD		Plated Carbon Steel		Long Style Plated Carbon Stl.	
	from	to	Part #	Price/E	Part #	Price/E
6"	6-44/64"	6-63/64"	F96-Z ³	\$227.70	FL96-Z ³	\$304.75
	7"	7-4/64"	F96-1	235.00	FL96-1	304.75
	7-5/64"	7-12/64"	F96-2	235.00	FL96-2	304.75
	7-13/64"	7-20/64"	F96-3	235.00	FL96-3	304.75
	7-21/64"	7-28/64"	F96-4	245.00	FL96-4	304.75
	7-29/64"	7-36/64"	F96-5	245.00	FL96-5	304.75
	7-37/64"	7-44/64"	F96-6	255.30	FL96-6	304.75
	7-45/64"	7-52/64"	F96-7	255.30	FL96-7	304.75
	7-53/64"	7-60/64"	F96-8	255.30	FL96-8	304.75
	7-61/64"	8"	F96-9	255.30	FL96-9	304.75
8"	9"	9-9/64"	F128-Y	395.00	FL128-Y	0
	9-20/64"	9-24/64"	F128-1	398.00	FL128-1	0
	9-25/64"	9-32/64"	F128-2	398.00	FL128-2	0
	9-33/64"	9-40/64"	F128-3	398.00	FL128-3	0
	9-41/64"	9-48/64"	F128-4	450.00	FL128-4	0
	9-49/64"	9-56/64"	F128-5	450.00	FL128-5	0
	9-57/64"	10"	F128-6	450.00	FL128-6	0
10"	10-1/64"	10-4/64"	F128-7	450.00	FL128-7	0
	11-32/64"	11-44/64"	F160-1	750.00	FL160-1	0
	11-45/64"	11-60/64"	F160-2	750.00	FL160-2	0
	11-61/64"	12-12/64"	F160-3	0	FL160-3	0
	12-13/64"	12-28/64"	F160-4	0	FL160-4	0
	12-29/64"	12-44/64"	F160-5	0	FL160-5	0
	12-45/64"	12-60/64"	F160-6	0	FL160-6	0

K
Holedall
Fittings

Special Holedall Stems

Hose ID	Material	Thread	Part #	Price/E
4"	carbon steel	NPT	TM64-42 ¹	\$99.70
4"	carbon steel	NPT	TML64-42 ²	140.00
6"	carbon steel	NPT	TM96-42 ³	220.00
6"	316 stainless	NPT	TMR96-42 ³	705.00
6"	carbon steel	NPT	TML96-42 ³	341.00
6"	carbon steel	bevel	TP96-42 ³	220.00
6"	316 stainless	bevel	TPR96-42 ³	0
6"	long carbon steel	victaulic	TGL96-42 ³	0
6"	carbon steel	victaulic	TG96-42 ³	220.00

1, 2, 3 requires special stem

For applications with hose OD ranges not listed, call the factory.

Holedall II External Swage Ferrules

For use with Royal-Flex™ thin wall hose. These specially designed carbon steel ferrules have serrations on the outside and should be used with stem styles TM, TP and TG stems on page 394.



Hose ID	Hose OD		Carbon Steel	
	from	to	Part #	Price/E
1½"	1-58/64"	2-2/64"	FW24	\$75.00
2"	2-28/64"	2-34/64"	FW32	86.60
3"	3-30/64"	3-38/64"	FW48	101.75
4"	4-30/64"	4-42/64"	FW64 ¹	101.00

¹ 4" takes special stem; **TM64-42**, \$99.70

Stainless External Swage Ferrules

Light duty 304 stainless ferrules for use with standard length stems such as the TMR series. Consult Dixon for die recommendations. See page 10-13 for specific pressure recommendations.



Hose ID	Hose OD		304 Stainless Steel	
	from	to	Part #	Price/E
1½"	1-60/64"	2-12/64"	GAS2334TO	\$42.40
	2-4/64"	2-22/64"	GAS2370TO	42.40
2"	2-30/64"	2-44/64"	GAS2709TO	34.40
	2-42/64"	2-54/64"	GAS2885TO	71.25
3"	3-30/64"	3-46/64"	GAS3760TO	53.30
	3-47/64"	3-54/64"	GAS3885TO	69.90
4"	4-40/64"	4-47/64"	GAS5010TO	275.00

External Swage Notched NOS Stems and Ferrules

- The largest advantage of the notched design is that the coupling can be removed from a damaged hose by cutting away the ferrule, without necessarily damaging the fitting. *After inspection of the fitting to determine its suitability for reuse, it can be reinstalled into another hose by using a new ferrule.* **SAFETY ALERT**
- The notched system allows you to better manage your inventories. You can stock one stem and two ferrules, and cover the same hose range with less inventory. *You must purchase a fitting and the matching ferrule to create an assembly.* **SAFETY ALERT**
- For hose outside diameters of 2-4/64" and below, *the couplings are crimp only.* **SAFETY ALERT**
- For hose outside diameters of 2-5/64" and above, the couplings can be crimped or swaged.
- See page 39 for cam and groove style notched NOS fittings.



STC200NOS



RST150NOS

Only use the NOS shank with the NOS ferrules.
Due to differences in dimensions and tolerances for safety reasons, **do not** use other manufacturer's stems or ferrules with Dixon Holedall products. **SAFETY ALERT**

stems

Size	PSI at 70°F	Plated Carbon Steel		316 Stainless Steel	
		Part #	Price/E	Part #	Price/E
1½"	250	STC150NOS	\$23.10	RST150NOS	\$44.10
2"	250	STC200NOS	27.15	RST200NOS	52.00
3"	250	STC300NOS	48.55	RST300NOS	115.00
4"	*	STC400NOS	61.40	RST400NOS	172.00

* Contact factory for pressure information

ferrules



Size	Hose OD		Carbon Steel		304 Stainless Steel	
	From:	To:	Part #	Price/E	Part #	Price/E
1½"	1-60/64"	2-12/64"	CAS2334NOS	\$16.70	GAS2334NOS	\$31.90
1½"	2-4/64"	2-22/64"	CAS2370NOS	16.70	GAS2370NOS	34.50
2"	2-30/64"	2-44/64"	CAS2709NOS	23.05	GAS2709NOS	31.50
2"	2-42/64"	2-54/64"	CAS2885NOS	22.40	GAS2885NOS	64.40
3"	3-30/64"	3-46/64"	CAS3760NOS	34.60	GAS3760NOS	46.35
3"	3-47/64"	3-54/64"	CAS3885NOS	35.30	GAS3885NOS	63.00
4"	4-40/64"	4-47/64"	CAS5010NOS	57.00	GAS5010NOS	235.00

External Swage Flanged Assemblies

- 150# ASA flange drilling available with carbon steel stem, ferrule and flange, or 316 stainless steel stem, flange and carbon steel ferrule
- available in other sizes, consult the factory for pricing



fixed flange

floating flange

Hose ID	Hose OD		Carbon Steel		Stainless Steel		Carbon Steel		Stainless Steel	
	from	to	Part #	Price/E	Part #	Price/E	Part #	Price/E	Part #	Price/E
2"	2-28/64"	2-40/64"	32P1SO15	\$212.70	R32P1SOR15	\$442.00	32P1LJ15	\$260.00	R32P1LJR15	\$510.00
	2-41/64"	2-48/64"	32P2SO15	212.70	R32P2SOR15	442.00	32P2LJ15	260.00	R32P2LJR15	510.00
	2-49/64"	2-56/64"	32P3SO15	212.70	R32P3SOR15	442.00	32P3LJ15	260.00	R32P3LJR15	510.00
3"	3-36/64"	3-40/64"	48P1SO15	271.00	R48P1SOR15	600.00	48P1LJ15	288.40	R48P1LJR15	690.00
	3-41/64"	3-48/64"	48P2SO15	271.00	R48P2SOR15	600.00	48P2LJ15	288.40	R48P2LJR15	690.00
	3-49/64"	3-56/64"	48P3SO15	271.00	R48P3SOR15	600.00	48P3LJ15	288.40	R48P3LJR15	690.00
4"	4-40/64"	4-44/64"	64P1SO15	354.00	R64P1SOR15	875.00	64P1LJ15	450.00	R64P1LJR15	1197.00
	4-45/64"	4-52/64"	64P2SO15	354.00	R64P2SOR15	875.00	64P2LJ15	450.00	R64P2LJR15	1197.00
	4-53/64"	4-60/64"	64P3SO15	354.00	R64P3SOR15	875.00	64P3LJ15	450.00	R64P3LJR15	1197.00
6"	7"	7-4/64"	96P1SO15	675.00	R96P1SOR15	1542.00	96P1LJ15	840.00	R96P1LJR15	1800.00
	7-5/64"	7-12/64"	96P2SO15	675.00	R96P2SOR15	1542.00	96P2LJ15	840.00	R96P2LJR15	1800.00
	7-13/64"	7-20/64"	96P3SO15	675.00	R96P3SOR15	1542.00	96P3LJ15	840.00	R96P3LJR15	1800.00
8"	9-20/64"	9-24/64"	128P1SO15	990.00	---	---	128P1LJ15	1150.00	---	---
	9-25/64"	9-32/64"	128P2SO15	990.00	---	---	128P2LJ15	1150.00	---	---
	9-33/64"	9-40/64"	128P3SO15	990.00	---	---	128P3LJ15	1150.00	---	---



External Swage Uni-Range Male Couplings

Designed for smaller hose systems, these couplings may be used for hose ID's of 1/4" - 1" and come complete with factory assembled stem and ferrule combination.

- can be swaged or crimped
- other hose OD's available, consult the factory
- stainless steel stems are investment cast



- plated carbon steel stem and ferrule

Hose ID	Hose OD		Plated Carbon Steel	
	from	to	Part #	Price/E
1/4"	34/64"	38/64"	4P1	\$16.05
	38/64"	42/64"	4P2	16.05
	42/64"	46/64"	4P3	16.05
3/8"	46/64"	50/64"	6P1	21.20
	50/64"	54/64"	6P2	21.20
	54/64"	58/64"	6P3	21.20
1/2"	54/64"	58/64"	8P1	21.60
	58/64"	62/64"	8P2	21.60
	62/64"	1-2/64"	8P3	21.60
3/4"	1-10/64"	1-14/64"	12P1	23.10
	1-14/64"	1-18/64"	12P2	23.10
	1-18/64"	1-22/64"	12P3	23.10
1"	1-30/64"	1-34/64"	16P1	29.75
	1-34/64"	1-38/64"	16P2	29.75
	1-38/64"	1-42/64"	16P3	29.75
	1-42/64"	1-46/64"	16P4	29.75

- 316 stainless steel stem, plated carbon steel ferrule

Hose ID	Hose OD		Stainless/Carbon Steel	
	from	to	Part #	Price/E
3/4"	1-10/64"	1-14/64"	R12P1	\$59.65
	1-14/64"	1-18/64"	R12P2	59.65
	1-18/64"	1-22/64"	R12P3	59.65
1"	1-30/64"	1-34/64"	R16P1	105.00
	1-34/64"	1-38/64"	R16P2	105.00
	1-38/64"	1-42/64"	R16P3	105.00
	1-42/64"	1-46/64"	R16P4	105.00

- 316 stainless steel stem, 304 stainless steel ferrule

Hose ID	Hose OD		Stainless Steel	
	from	to	Part #	Price/E
1/2"	58/64"	62/64"	R8P2SS	\$113.00
3/4"	1-6/64"	1-12/64"	R12P1250	90.85
	1-13/64"	1-22/64"	R12P1370	90.85
1"	1-30/64"	1-38/64"	R16P1620	118.45
	1-38/64"	1-46/64"	R16P1770	119.60

External Swage High Pressure Couplings

These couplings are for services requiring a fitting which will withstand extremely high pressures (up to **3,000 PSI** at 70°F) and severe operating conditions, such as on small and medium size drilling rigs, used for slim hole, core drill, workover, seismograph, water well, blast or shot holes, etc. These long, rugged fittings are machined from seamless pipe and tubing with specially designed serrations. The mating ferrules are machined from heavy wall material incorporating matching serrations. These couplings are shipped with matching ferrules. Please provide hose OD when ordering for properly sized ferrule. Make sure both ends of the hose are measured for OD. Must be swaged with 50 Ton or 100 Ton Ram.

- An accurate hose OD must be provided to complete the part # and to ensure proper retention.
- The LM fittings are sold as a complete coupling, including stem and ferrule.
- API and NPT sizes are interchangeable

Stem and Ferrule Complete Assemblies



Male NPT Thread Coupling Units

Hose ID	NPT Size	Zinc Plated Steel	
		Part #	Price/E
2"	2"	LM32-*	\$335.00
2½"	2½"	LM40-*	390.00
3"	3"	LM48-*	435.00

Male API Thread Coupling Units

Hose ID	API Size	Zinc Plated Steel	
		Part #	Price/E
2"	2½"	LM3240-*	POR
2½"	3"	LM4048-*	POR
3"	4"	LM4864-*	POR

Holedall Internal Expansion Couplings

The Dixon Internally Expanded Couplings are essential when maximum flow is important. Only one expansion tool is needed for each hose ID. Some recommended applications of these fittings are: concrete pump hose, plaster and grout hose, oil suction and discharge hose, multi-purpose heavy duty air hose, jetting hose, barge loading hose and bottom loading hose.

Benefits of Internal Expansion Fittings:

- maximum flow of media
- reduction of turbulence through hose
- excellent sealing and retention characteristics
- outperforms band clamps
- easy and consistent installation

End Configurations Available:

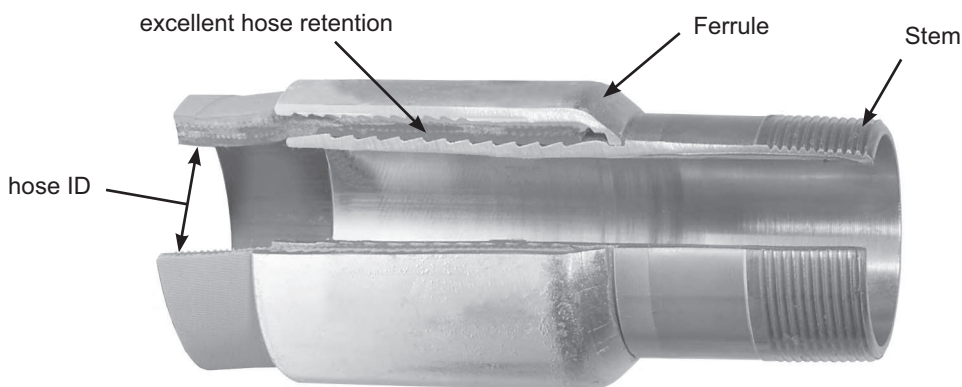
- male NPT
- raised California
- victaulic
- others available on request

Dixon Holedall stems and ferrules are specifically designed to be used together as a coupling system.

SAFETY
ALERT

Due to differences in dimensions and tolerances, for safety reasons, do not use other manufacturer's stems or ferrules with Dixon Holedall products.

SAFETY
ALERT



Cross-section of Holedall internally expanded assembly

Internal Expansion Stems



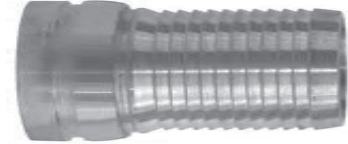
male pipe threaded end

Size	Carbon Steel	
	Part #	Price/E
1"	IXM16	\$56.60
1¼"	IXM20	59.75
1½"	IXM24	52.25
2"	IXM32	57.25
2½"	IXM40	73.55
3"	IXM48	96.30
4"	IXM64	137.60
6"	IXM96	165.00



heavy duty raised end

Size	Carbon Steel	
	Part #	Price/E
---	---	---
---	---	---
1½"	IXH24	\$95.50
2"	IXH32	99.50
2½"	IXH40	125.00
3"	IXH48	155.50
4"	IXH64	214.20
---	---	---



grooved end

Size	Carbon Steel	
	Part #	Price/E
---	---	---
1¼"	IXV20	\$54.80
1½"	IXV24	54.05
2"	IXV32	58.40
2½"	IXV40	73.00
3"	IXV48	106.10
4"	IXV64	150.00
---	---	---

Butt Weld x Heavy Duty Raised End (California Style)

Beveled design for welding to Schedule 40 pipe allows connection to a heavy duty raised end (California style) hose fitting or similar style end.

California style end

Size	Length	Carbon Steel	
		Part #	Price/E
1½"	1½"	HDE24	\$43.25
2"	1½"	HDE32	44.00
2½"	1½"	HDE40	54.25
3"	1½"	HDE48	57.75
4"	1½"	HDE64	69.50
5"	1½"	HDE80	85.00



K
Holedall
Fittings

Clamps for IXH Raised End (California Style) Stems

Cast steel clamps for fast assembly when connecting heavy-duty raised end fittings used for concrete. These clamps can be used to connect the ends of pipes or hoses which use the Raised End or California style fittings listed above. Shipped with double lipped gasket and safety pin. All sizes are painted green. Clamp should only be used with safety pin in place.

Hose ID	Steel Clamps		Buna-N Gaskets	
	Part #	Price/E	Part #	Price/E
1½"	IXHC150	\$134.00	IXHCG150	\$15.00
2"	IXHC200	136.00	IXHCG200	15.00
2½"	IXHC250	150.00	IXHCG250	15.00
3"	IXHC300	167.00	IXHCG300	18.75
4"	IXHC400	214.50	IXHCG400	18.75
5"	IXHC500	221.00	IXHCG500	21.15



Internal Expansion Ferrules



Crowder Supply Co., Inc. • 8495 Roslyn St., Commerce City, CO 80022 • Toll Free: 888-883-5144 • www.CrowderSupply.com



Hose ID	Hose OD		Ferrule Size	Plated Carbon Steel	
	from	to		Part #	Price/E
1"	1-24/64"	1-28/64"	1-7/16"	IXF16-1	\$40.50
	1-28/64"	1-32/64"	1-1/2"	IXF16-2	40.50
	1-32/64"	1-36/64"	1-9/16"	IXF16-3	40.50
1 1/4"	1-40/64"	1-44/64"	1-11/16"	IXF20-Z	38.00
	1-44/64"	1-48/64"	1-3/4"	IXF20-1	38.00
	1-48/64"	1-52/64"	1-13/16"	IXF20-2	38.00
	1-52/64"	1-56/64"	1-7/8"	IXF20-3	38.00
	1-56/64"	1-60/64"	1-15/16"	IXF20-4	38.00
	1-60/64"	2"	2"	IXF20-5	38.00
	2"	2-4/64"	2-1/16"	IXF20-6	38.00
1 1/2"	1-56/64"	1-60/64"	1-15/16"	IXF24-Z	37.65
	1-60/64"	2"	2"	IXF24-1	37.65
	2"	2-4/64"	2-1/16"	IXF24-2	37.65
	2-4/64"	2-8/64"	2-1/8"	IXF24-3	37.65
	2-8/64"	2-12/64"	2-3/16"	IXF24-4	37.65
	2-12/64"	2-16/64"	2-1/4"	IXF24-5	37.65
	2-16/64"	2-20/64"	2-5/16"	IXF24-6	37.65
	2-20/64"	2-24/64"	2-3/8"	IXF24-7	37.65
	2-32/64"	2-36/64"	2-9/16"	IXF32-Y	40.15
	2-36/64"	2-40/64"	2-5/8"	IXF32-Z	40.15
2"	2-40/64"	2-44/64"	2-11/16"	IXF32-1	40.15
	2-44/64"	2-48/64"	2-3/4"	IXF32-2	40.15
	2-48/64"	2-52/64"	2-13/16"	IXF32-3	40.15
	2-52/64"	2-56/64"	2-7/8"	IXF32-4	40.15
	2-56/64"	2-60/64"	2-15/16"	IXF32-5	40.15
	2-60/64"	3"	3"	IXF32-6	40.15
	3"	3-4/64"	3-1/16"	IXF32-7	40.15
2 1/2"	3"	3-4/64"	3-1/16"	IXF40-1	59.50
	3-4/64"	3-8/64"	3-1/8"	IXF40-2	59.50
	3-8/64"	3-12/64"	3-3/16"	IXF40-3	59.50
	3-12/64"	3-16/64"	3-1/4"	IXF40-4	59.50
	3-16/64"	3-20/64"	3-5/16"	IXF40-5	59.50
	3-20/64"	3-24/64"	3-3/8"	IXF40-6	59.50
	3-24/64"	3-28/64"	3-7/16"	IXF40-7	59.50
	3-28/64"	3-32/64"	3-1/2"	IXF40-8	59.50

Hose ID	Hose OD		Ferrule Size	Plated Carbon Steel		
	from	to		Part #	Price/E	
3"	3-32/64"	3-36/64"	3-9/16"	IXF48-T	\$75.30	
	3-36/64"	3-40/64"	3-5/8"	IXF48-U	75.30	
	3-40/64"	3-44/64"	3-11/16"	IXF48-V	75.30	
	3-44/64"	3-48/64"	3-3/4"	IXF48-W	75.30	
	3-48/64"	3-52/64"	3-13/16"	IXF48-X	75.30	
	3-52/64"	3-56/64"	3-7/8"	IXF48-Y	75.30	
	3-56/64"	3-60/64"	3-15/16"	IXF48-Z	75.30	
	3-60/64"	4"	4"	IXF48-1	81.25	
	4"	4-4/64"	4-1/16"	IXF48-2	81.25	
	4-4/64"	4-8/64"	4-1/8"	IXF48-3 ¹	81.25	
	4-8/64"	4-12/64"	4-3/16"	IXF48-4 ¹	81.25	
	4-12/64"	4-16/64"	4-1/4"	IXF48-5 ¹	81.25	
	4"	4-36/64"	4-40/64"	4-5/8"	IXF64-T	104.75
		4-40/64"	4-44/64"	4-11/16"	IXF64-U	104.75
4-44/64"		4-48/64"	4-3/4"	IXF64-V	104.75	
4-48/64"		4-52/64"	4-13/16"	IXF64-W	104.75	
4-52/64"		4-56/64"	4-7/8"	IXF64-X	104.75	
4-56/64"		4-60/64"	4-15/16"	IXF64-Y	104.75	
4-60/64"		5"	5"	IXF64-Z	104.75	
5"		5-4/64"	5-1/16"	IXF64-1	107.35	
5-4/64"		5-8/64"	5-1/8"	IXF64-2 ¹	107.35	
5-8/64"		5-12/64"	5-3/16"	IXF64-3 ¹	107.35	
5-12/64"		5-16/64"	5-1/4"	IXF64-4 ¹	107.35	
5-16/64"		5-20/64"	5-5/16"	IXF64-5 ¹	107.35	
6-40/64"		6-44/64"	6-11/16"	IXF96-1	0	
6-44/64"		6-48/64"	6-3/4"	IXF96-2	0	
6-46/64"		6-50/64"	6-25/32"	IXF96-3	0	
6-48/64"	6-52/64"	6-13/16"	IXF96-4	0		
6-52/64"	6-56/64"	6-7/8"	IXF96-5	0		
6-56/64"	6-60/64"	6-15/16"	IXF96-6	0		
6-60/64"	7"	7"	IXF96-7	0		
6"	7"	7-4/64"	7-1/16"	IXF96-8	0	
	7-4/64"	7-8/64"	7-1/8"	IXF96-9	0	
	7-8/64"	7-12/64"	7-3/16"	IXF96-10	0	
	7-12/64"	7-16/64"	7-1/4"	IXF96-11	0	
	7-16/64"	7-20/64"	7-5/16"	IXF96-12	0	
	7-18/64"	7-22/64"	7-11/32"	IXF96-13	0	
	7-20/64"	7-24/64"	7-3/8"	IXF96-14	0	

¹ For hoses using ferrule sizes IXF48-3 thru IXF48-5 and IXF64-2 thru IXF64-5, consult the factory for working pressures.

Internally Expanded Permanent Couplings - Scovill Style

SAFETY
ALERT

Do not interchange with other manufacturer's fittings.

SAFETY
ALERT

Brass internally expanded permanent couplings are recommended for discharge and suction service. Commonly used in the transfer of fuel to homes, airplanes, ships, etc. The working pressure of the 520-H fitting varies with the size of the fitting, the size and construction of the hose and the media being conveyed. Consult the factory for recommendations. Dixon Holedall stems and ferrules are specifically designed to be used together as a coupling system.

Both the male and female have octagonal facets for tightening with a wrench. The female in 1½" and larger sizes has lugs for tightening. The stem is expanded to nominal ID of hose for a rigid, uniform, full-flow area.

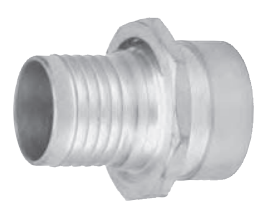
- Male and female stems are machined from bar stock or solid brass forgings; ferrules are available in brass and stainless steel.
- Couplings are compact, light and streamlined to eliminate catching on curbs and shrubs.
- The H520 fittings are designed for internal expansion only.
- Couplings are pre-lubricated for assembly.
- Hand and electrically operated installation equipment is available. Consult factory for pricing and availability.



male NPT



male NST



female NPSH



female NST

Hose ID	Brass		Brass		Brass		Brass		Brass	
	Part #	Price/E	Part #	Price/E	Part #	Price/E	Part #	Price/E	Part #	Price/E
3/4"	H5192	\$23.85	---	--	H5191-BU	\$41.00	---	--	---	--
1"	H5212-A	25.90	H5212NST	\$26.10	H5211-A-BU	43.75	H5211NST	\$51.75	G5212	\$32.55
1-1/4"	H5222-A	34.45	---	--	H5221-A-BU	49.80	---	--	---	--
1-3/8"	H5272 ¹	40.00	---	--	H5271-BU ¹	79.20	---	--	---	--
1-1/2"	H5232-A	41.65	H5232NST	41.05	H5231-A-BU	78.60	H5231NST ²	83.60	G5232	59.20
2"	H5242	80.10	---	--	H5241-BU	137.90	---	--	G5242	80.50
2-1/2"	H5252	138.00	---	--	H5251 ³	212.50	---	--	---	--
3"	H5262	185.00	---	--	H5261 ³	282.00	---	--	---	--

¹ 1-3/8" stem has 1½" thread

² 1½" NST requires special adapter, part # H5231NSTADT

³ 2½" and 3" parts have female NPSM thread

Note: The fittings on this page are intended for fuel delivery service. See page 402 for information on API 1529 certification.

520-H Ferrules



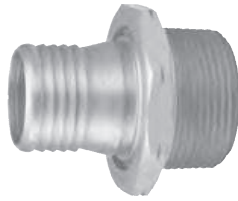
A wide range of 520-H ferrules permits a perfect assembly of a coupling to a corresponding size of hose within commercial tolerances regardless of wall thickness. Eliminates need for large stock of coupling bodies. Consult Dixon for other hose OD's.

Hose ID	Hose OD		Brass		Hose ID	Hose OD		Brass		Hose ID	Hose OD		Brass	
	from	to	Part #	Price/E		from	to	Part #	Price/E		from	to	Part #	Price/E
¾"	1-8/64"	1-11/64"	R75AAS	\$8.45	1-3/8"	1-47/64"	1-50/64"	R1375BS	\$16.45	2"	2-27/64"	2-30/64"	R2AAS	\$31.60
	1-12/64"	1-14/64"	R75AS	8.45		1-51/64"	1-54/64"	R1375CS	16.45		2-31/64"	2-34/64"	R2AS	31.60
	1-15/64"	1-17/64"	R75BS	8.45		1-55/64"	1-58/64"	R1375DS	16.45		2-35/64"	2-38/64"	R2BS	31.60
	1-18/64"	1-20/64"	R75CS	8.45		1-59/64"	1-62/64"	R1375ES	16.45		2-39/64"	2-42/64"	R2CS	31.60
1-24/64"	1-26/64"	R1AAAAS-A	9.65	1-54/64"		1-57/64"	R15AAAAS-A	17.20	2-43/64"		2-46/64"	R2DS	31.60	
1"	1-27/64"	1-29/64"	R1AAS-A	9.65	1-58/64"	1-62/64"	R15AAS-A	17.20	2-47/64"		2-50/64"	R2ES	31.60	
1-30/64"	1-32/64"	R1AS-A	9.65	1-63/64"	2-2/64"	R15AS-A	17.20	2-51/64"	2-54/64"		R2FS	31.60		
1-33/64"	1-35/64"	R1BS-A	9.65	2-3/64"	2-6/64"	R15BS-A	17.20	2-62/64"	3-1/64"		R25AS	46.10		
1-36/64"	1-38/64"	R1CS-A	9.65	1½"	2-7/64"	2-11/64"	R15CS-A	17.20	3-2/64"		3-6/64"	R25BS	46.10	
1-39/64"	1-41/64"	R1DS-A	9.65	2-12/64"	2-14/64"	R15DS-A	17.20	3-7/64"	3-11/64"		R25CS	46.10		
1-42/64"	1-44/64"	R1ES-A	9.65	2-15/64"	2-19/64"	R15ES-A	17.20	3-12/64"	3-16/64"		R25DS	46.10		
1-39/64"	1-42/64"	R125AAS-A	14.00	2-20/64"	2-24/64"	R15FS	17.20	3-17/64"	3-21/64"		R25ES	46.10		
1-43/64"	1-46/64"	R125AS-A	14.00	2-25/64"	2-28/64"	R15GS	17.20	3-22/64"	3-26/64"	R25FS	46.10			
1-47/64"	1-50/64"	R125BS-A	14.00					3-30/64"	3-34/64"	R3AAAAS	61.65			
1-51/64"	1-54/64"	R125CS-A	14.00					3-35/64"	3-39/64"	R3AAS	61.65			
1-55/64"	1-58/64"	R125DS-A	14.00					3-40/64"	3-45/64"	R3AS	61.65			
1-59/64"	1-62/64"	R125ES	14.00					3-46/64"	3-50/64"	R3BS	61.65			
								3-51/64"	3-54/64"	R3CS	61.65			

¹ 1", 1¼" and 1½" ferrules will be replaced by API ferrules on facing page as inventory is depleted.

API Certified Permanently Attached Petroleum Couplings

The following fittings have been tested and are compliant with API 1529 6th edition. Coupling procedures, ferrule recommendations and API test data are available upon request, please contact the factory.



520-H series male thread

Hose Size	Thread Type	Brass		Aluminum	
		Part #	Price/E	Part #	Price/E
1"	NPT	H5212-A	\$25.90	---	--
1¼"	NPT	H5222-A	34.45	---	--
1½"	NPT	H5232-A	41.65	---	--
2"	NPT	H5242L-A	80.10	A5242L-A ¹	\$55.00
2½"	NPT	H5252L-A	138.00	A5252L-A ¹	95.00
3"	NPT	H5262L-A	185.00	A5262L-A ¹	115.00
4"	NPT	H5282L-A	320.00	---	--



520-H series female thread

Hose Size	Thread Type	Brass	
		Part #	Price/E
1"	NPSH	H5211-A-BU	\$43.75
1¼"	NPSH	H5221-A-BU	49.80
1½"	NPSH	H5231-A-BU	78.60
2"	NPSH	H5241L-A-BU	137.90
2½"	NPSM	H5251L-A-BU	212.50
3"	NPSM	H5261L-A-BU	282.00
4"	NPSM	H5281L-A-BU	405.00

¹ requires a special thrust plate

- 2" **25000HTL24**
- 2½" **25000HTL25**
- 3" **25000HTL26**

API 520-H Series Ferrules



Hose ID	Hose OD		Brass	
	from	to	Part #	Price/E
1"	1-24/64"	1-26/64"	R1AAAS-A	\$9.65
	1-27/64"	1-29/64"	R1AAS-A	9.65
	1-30/64"	1-32/64"	R1AS-A	9.65
	1-33/64"	1-35/64"	R1BS-A	9.65
	1-36/64"	1-38/64"	R1CS-A	9.65
	1-39/64"	1-41/64"	R1DS-A	9.65
	1-42/64"	1-44/64"	R1ES-A	9.65
1¼"	1-39/64"	1-42/64"	R125AAS-A	14.00
	1-43/64"	1-46/64"	R125AS-A	14.00
	1-47/64"	1-50/64"	R125BS-A	14.00
	1-51/64"	1-54/64"	R125CS-A	14.00
	1-55/64"	1-58/64"	R125DS-A	14.00
	1-59/64"	1-62/64"	R125ES-A	14.00
1½"	1-54/64"	1-57/64"	R15AAAAS-A	17.20
	1-58/64"	1-62/64"	R15AAS-A	17.20
	1-63/64"	2-2/64"	R15AS-A	17.20
	2-3/64"	2-6/64"	R15BS-A	17.20
	2-7/64"	2-11/64"	R15CS-A	17.20
	2-12/64"	2-14/64"	R15DS-A	17.20
	2-15/64"	2-19/64"	R15ES-A	17.20

Hose ID	Hose OD		304 Stainless Steel		Aluminum	
	from	to	Part #	Price/E	Part #	Price/E
2"	2-31/64"	2-34/64"	R2ASS-A	\$27.80	R2AAL-A	\$20.00
	2-35/64"	2-38/64"	R2BSS-A	27.80	R2BAL-A	20.00
	2-39/64"	2-42/64"	R2CSS-A	27.80	R2CAL-A	20.00
	2-43/64"	2-46/64"	R2DSS-A	27.80	R2DAL-A	20.00
	2-47/64"	2-50/64"	R2ESS-A	27.80	R2EAL-A	20.00
2½"	2-62/64"	3-1/64"	R25ASS-A	42.25	R25AAL-A	30.00
	3-2/64"	3-6/64"	R25BSS-A	42.25	R25BAL-A	30.00
	3-7/64"	3-11/64"	R25CSS-A	42.25	R25CAL-A	30.00
	3-12/64"	3-16/64"	R25DSS-A	42.25	R25DAL-A	30.00
3"	3-17/64"	3-21/64"	R25ESS-A	42.25	R25EAL-A	30.00
	3-35/64"	3-39/64"	R3AASS-A	48.30	R3AAAL-A	35.00
	3-40/64"	3-45/64"	R3ASS-A	48.30	R3AAL-A	35.00
	3-46/64"	3-50/64"	R3BSS-A	48.30	R3BAL-A	35.00
	3-51/64"	3-54/64"	R3CSS-A	48.30	R3CAL-A	35.00
4"	3-55/64"	3-59/64"	R3DSS-A	48.30	R3DAL-A	35.00
	4-46/64"	4-48/64"	R4ESS-A	155.00	---	--
	4-49/64"	4-51/64"	R4FSS-A	155.00	---	--
	4-52/64"	4-54/64"	R4GSS-A	155.00	---	--
	4-55/64"	4-57/64"	R4HSS-A	155.00	---	--
	4-58/64"	4-59/64"	R4KSS-A	155.00	---	--
	4-60/64"	4-62/64"	R4LSS-A	155.00	---	--
	4-63/64"	5"	R4MSS-A	155.00	---	--

Crowder Supply Co., Inc. • 8495 Roslyn St., Commerce City, CO 80022 • Toll Free: 888-883-5144 • www.CrowderSupply.com



Replacement Washers

- replacement washers for 520-H series female internally expanded permanent couplings on pages 401 and 402

Size	Buna	
	Part #	Price/E
3/4"	H5071-BU	\$1.20
1"	H5072-BU	1.20
1 1/4"	H5073-BU	1.20
1 1/2"	H5074-BU	1.20
2"	H5075-BU	1.30
2 1/2"	H5076-BU	1.30
3"	H5077-BU	1.35
4"	H5078-BU	1.80



Permanent Couplings for Pump Hose

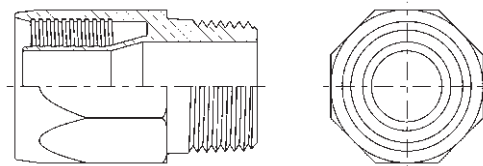
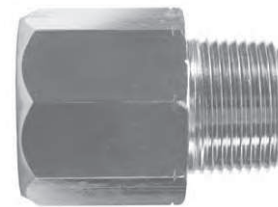
The most economical and trouble-free couplings for gas pump hose. Serrations on the stem become imbedded in the hose eliminating wicking and leakage. The shell extends beyond the stem to prevent cutting of interior walls. Tapered ends of stem and shell protect hose when flexed.

- Couplings provide tamper-proof static connection which cannot be broken without completely damaging coupling and hose.
- internal expansion of stem to nominal ID of hose provides full flow
- Broad, firm grip of coupling extends hose life by making it possible for hose to withstand more flexings.
- Hand and electrically operated installation equipment are available. Consult factory for pricing and availability.
- **Caution:** Reattach static wire if required.

SAFETY
ALERT

Hose ID	Male NPT	Hose OD	Chrome Plated Brass	
			Part #	Price/E
5/8"	3/4"	1"	H5741	\$14.70
5/8"	3/4"	1-1/32"	H5742	14.70
3/4"	3/4"	1-9/64"	H5751	16.60
3/4"	3/4"	1-11/64"	H5752	16.60
3/4"	3/4"	1-13/64"	H5753	27.10
3/4"	3/4"	1-7/32"	H5754	27.10
3/4"	3/4"	1-17/64"	H5755 ¹	27.10
1"	1"	1-25/64"	H5771	30.50
1"	1"	1-29/64"	H5772	30.50
1"	1"	1-1/2"	H5773	30.50
1"	1"	1-9/16"	H5774	30.50

¹ thrust plate required **2500HTL15**

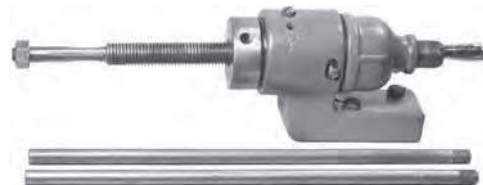


K
Holedall
Fittings

HB Coupling Expander Machine

- hand operated, pull-through type expander
- for use in a fixed location for small production runs or as a portable repair type expander
- attaches sizes 3/4" through 2" of the 520-H Series couplings, and all sizes of 570-H and 580-H Series couplings
- expander tooling sold separately

Part #	Price/E
2500HB0000	\$3100.00



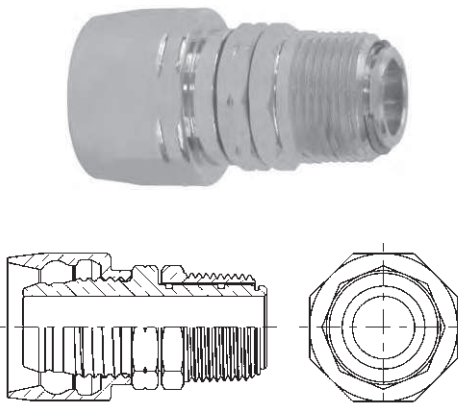
Dubl-Grip® Re-attachable Couplings for Curb Pump Hose

Two-piece re-attachable coupling made of chrome-plated brass for pump hose. Streamlined design prevents damage to hose and fits smartly on new pump equipment. Wide, flat surfaces of body threads protect inside of hose from breaking. Tapered surfaces of sleeve and body cradle hose, prevent one-point strain from flexing. Hose is gripped on its full circumference in two places, ensuring a rigid leakproof connection.

- couplings have standard male NPT threads
- worn portion of hose can be removed and Dubl-Grip® can be reapplied
- easy assembly:
Hose is held in position by sleeve as body is threaded home.
Only a wrench is required to assemble the Dubl-Grip®.
- **Caution:** Reattach static wire if required.

SAFETY
ALERT

H-600 Series Dubl-Grip® Swivel Reattachables

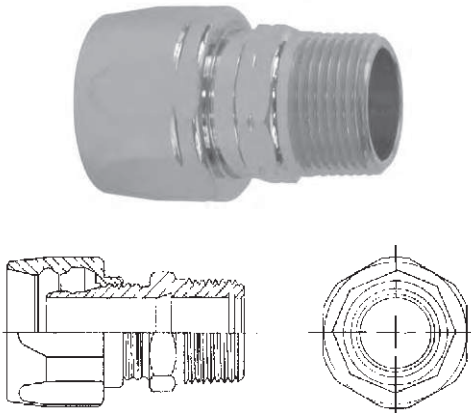


Hose ID	Male NPT	Hose OD	Chrome Plated Brass	
			Part #	Price/E
5/8"	3/4"	1-1/16"	H600 ¹	\$22.60
5/8"	3/4"	1"	H601 ¹	22.60
5/8"	3/4"	1-1/32"	H602 ¹	22.60
3/4"	3/4"	1-1/8"	H603	37.50
3/4"	3/4"	1-13/64"	H604	37.50
3/4"	3/4"	1-1/4"	H605	37.50
1"	1"	1-3/8"	H609 ²	58.00
1"	1"	1-7/16"	H610 ²	58.00
1"	1"	1-1/2"	H611 ²	58.00

¹ items will be discontinued when stock is depleted

² octagonal shape

Dubl-Grip® Reattachables



Hose ID	Male NPT	Hose OD	Chrome Plated Brass	
			Part #	Price/E
5/8"	3/4"	1"	850212	\$20.50
5/8"	3/4"	1-1/32"	850213	20.50
5/8"	3/4"	1-1/16"	850214	20.50
3/4"	3/4"	1-1/8"	850451	27.60
3/4"	3/4"	1-13/64"	850455	27.60
3/4"	3/4"	1-1/4"	850453	27.60
1"	1"	1-3/8"	850841 ¹	42.00
1"	1"	1-7/16"	850801 ¹	42.00
1"	1"	1-1/2"	850811 ¹	42.00

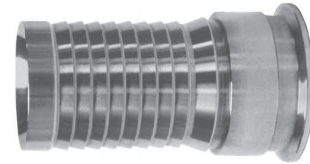
¹ octagonal shape

CIP Internal Expansion (IX) Sanitary Style Hose Couplings

- Clean-In-Place (CIP) compliant
- Flow Chief internal expansion (IX) fittings are only to be used with Flow Chief stainless steel ferrules.
- Flow Chief Sanitary fittings are used in the food, dairy and beverage industries.

Sanitary Clamp End Stems

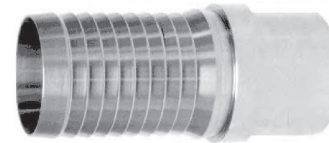
- see pages 421-425 for sanitary style gaskets
- see pages 408-409 for sanitary style clamps
- special plug is required to expand CIP compliant fittings
- special adapter plate is required to expand 1½" CIP compliant fittings
- 3A compliant when assembled by 3A authorized hose shop



Size	304 Stainless Steel	
	Part #	Price/E
1½"	IXSE24-3A	\$166.85
2"	IXSE32-3A	195.00
3"	IXSE48-3A	350.00

Tube Weld End Stem

- special plug is required to expand CIP compliant fittings



Size	304 Stainless Steel	
	Part #	Price/E
2"	IXPE32-3A	\$175.00

Special Expansion Plug for CIP Compliant IX Fittings

Hose Size	Part #
1½"	IXFDPLG137
2"	IXFDPLG187
3"	IXFDPLG287



Flow Chief Ferrules

- the ferrule ID's are designed in increments of 1/16"

Hose ID	Hose OD		304 stainless steel	
	from	to	Part #	Price/E
1½" ¹	1-56/64"	1-59/64"	24PFX1.937	\$102.90
	1-60/64"	1-63/64"	24PFX2.000	102.90
	2"	2-3/64"	24PFX2.062	102.90
	2-4/64"	2-7/64"	24PFX2.125	102.90
	2-8/64"	2-11/64"	24PFX2.187	102.90
	2-12/64"	2-15/64"	24PFX2.250	102.90
2" ¹	2-16/64"	2-19/64"	24PFX2.312 ²	102.90
	2-28/64"	2-31/64"	32PFX2.500	105.00
	2-32/64"	2-35/64"	32PFX2.562	105.00
	2-36/64"	2-39/64"	32PFX2.625	105.00
	2-40/64"	2-43/64"	32PFX2.687	105.00
	2-44/64"	2-47/64"	32PFX2.750	105.00
	2-48/64"	2-51/64"	32PFX2.812	105.00
	2-52/64"	2-55/64"	32PFX2.875	105.00
	2-56/64"	2-59/64"	32PFX2.937	105.00
	2½"	3"	3-3/64"	40PFX3.062
3-4/64"		3-7/64"	40PFX3.125	151.00
3-8/64"		3-11/64"	40PFX3.187	151.00
3-12/64"		3-15/64"	40PFX3.250	151.00
3-16/64"		3-19/64"	40PFX3.312	151.00
3-20/64"		3-23/64"	40PFX3.375	151.00
3-28/64"		3-31/64"	40PFX3.500	151.00

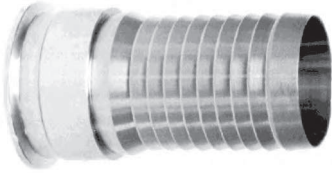


Hose ID	Hose OD		304 stainless steel	
	from	to	Part #	Price/E
3"	3-32/64"	3-35/64"	48PFX3.562	\$172.50
	3-36/64"	3-39/64"	48PFX3.625	172.50
	3-40/64"	3-43/64"	48PFX3.687	172.50
	3-44/64"	3-47/64"	48PFX3.750	172.50
	3-48/64"	3-51/64"	48PFX3.812	172.50
	3-52/64"	3-55/64"	48PFX3.875	172.50
	3-56/64"	3-59/64"	48PFX3.937	172.50
	3-60/64"	3-63/64"	48PFX4.000	172.50
	4"	4-3/64"	48PFX4.062	172.50
	4-4/64"	4-7/64"	48PFX4.125	172.50
4"	4-36/64"	4-39/64"	64PFX4.625	235.00
	4-40/64"	4-43/64"	64PFX4.687	235.00
	4-44/64"	4-47/64"	64PFX4.750	235.00
	4-48/64"	4-51/64"	64PFX4.812	235.00
	4-52/64"	4-55/64"	64PFX4.875	235.00
	4-56/64"	4-59/64"	64PFX4.937	235.00

¹ 1½" and 2" ferrules do not have serrations on the ID

² consult the factory for working pressure

Internal Expansion (IX) Sanitary Style Hose Couplings



- sanitary style end
- Flow Chief internal expansion (IX) fittings are only to be used with Flow Chief stainless steel ferrules
- see pages 421-425 for sanitary style gaskets
- see pages 408-409 for sanitary style clamps

Size	304 Stainless Steel	
	Part #	Price/E
1½"	IXSE24	\$138.40
2"	IXSE32	169.00
2½"	IXSE40	270.00
3"	IXSE48	350.50
4"	IXSE64	470.00

Internal Expansion (IX) Male NPT Hose Couplings



- Flow Chief internal expansion (IX) fittings are only to be used with Flow Chief stainless steel ferrules

Size	304 Stainless Steel	
	Part #	Price/E
1½"	IXMS24	\$186.35
2"	IXMS32	180.00
2½"	IXMS40	230.00
3"	IXMS48	351.00
4"	IXMS64	500.00

Internal Expansion (IX) Bevel Seat Hose Couplings

- Flow Chief internal expansion (IX) fittings are only to be used with Flow Chief stainless steel ferrules
- see page 434 for bevel seat gaskets

Female Shank



- only use with the IXAN nuts shown below

Size	304 Stainless Steel	
	Part #	Price/E
1½"	IXFS24	\$154.35
2"	IXFS32	210.10
2½"	IXFS40	236.90
3"	IXFS48	375.00
4"	IXFS64	395.00

Threaded Hex Nuts



series 13H (modified)

Size	304 Stainless Steel	
	Part #	Price/E
1½"	IXAN24	\$37.10
2"	IXAN32	49.10
2½"	IXAN40	73.00
3"	IXAN48 ¹	92.25
4"	IXAN64	150.00

¹ modified for use on CBSR300: **IXAN300 \$99.00**

Dixon Sanitary Style Crimp Stems Sanitary End x Hose Shank

- sanitary style end
- Dixon sanitary crimp stems are only to be used with Dixon sanitary stainless steel crimp ferrules
- reference pages 680-681 for crimp recommendations

Size	316 Stainless Steel	
	Part #	Price/E
1"	CSSR100	\$75.60
1½"	CSSR150	77.85
2"	CSSR200	135.50
3"	CSSR300	302.60
4"	CSSR400	562.85



Female Bevel Seat End x Hose Shank

- only to be used with IXAN nuts on page 406

Size	Nut Used	316 Stainless Steel	
		Part #	Price/E
1"	13H-G100	CBSR100	\$75.60
1½"	IXAN24	CBSR150	77.85
2"	IXAN32	CBSR200	135.50
3"	IXAN300	CBSR300 ¹	302.10
4"	IXAN64	CBSR400	562.85



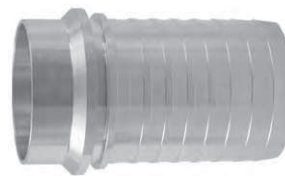
Female I-Line End x Hose Shank

Size	316 Stainless Steel	
	Part #	Price/E
1½"	CILR150	\$77.85
2"	CILR200	135.50
3"	CILR300	302.10
4"	CILR400	562.85



Tube Weld End x Hose Shank

Size	316 Stainless Steel	
	Part #	Price/E
1½"	CTER150	\$77.85
2"	CTER200	135.50
3"	CTER300	302.10
4"	CTER400	562.85



Dixon Sanitary Crimp Ferrules



- manufactured in AISI 304 stainless steel
- ferrules have a surface finish of 63 or better

Hose ID	Hose OD		304 stainless steel	
	from	to	Part #	Price/E
1"	1-26/64"	1-28/64"	F16G-1453	\$51.50
	1-29/64"	1-31/64"	F16G-1500	51.50
	1-32/64"	1-34/64"	F16G-1547	51.50
	1-35/64"	1-37/64"	F16G-1594	51.50
	1-38/64"	1-40/64"	F16G-1641	51.50
1½"	1-58/64"	1-61/64"	F24G-1969	59.45
	1-62/64"	2-1/64"	F24G-2031	59.45
	2-2/64"	2-5/64"	F24G-2094	59.45
	2-6/64"	2-9/64"	F24G-2156	59.45

Hose ID	Hose OD		304 stainless steel	
	from	to	Part #	Price/E
2"	2-30/64"	2-33/64"	F32G-2531	\$77.80
	2-34/64"	2-37/64"	F32G-2594	77.80
	2-38/64"	2-41/64"	F32G-2656	77.80
	2-42/64"	2-45/64"	F32G-2719	77.80
3"	3-39/64"	3-42/64"	F48G-3625	208.00
	3-40/64"	3-43/64"	F48G-3688	208.00
	3-44/64"	3-47/64"	F48G-3750	208.00
	3-48/64"	3-51/64"	F48G-3813	208.00
	3-52/64"	3-55/64"	F48G-3875	208.00
	3-56/64"	3-59/64"	F48G-3938	208.00
4"	4-40/64"	4-43/64"	F64G-4688	409.15
	4-44/64"	4-47/64"	F64G-4750	409.15
	4-48/64"	4-51/64"	F64G-4813	409.15
	4-52/64"	4-55/64"	F64G-4875	409.15
	4-56/64"	4-59/64"	F64G-4938	409.15