

Sealants

Megabooast Grease Gun



- Quick connect threadless barrel reduces downtime when reloading grease. Never worry about crossing threads on the barrel.
- takes half the time to reload grease
- automatically bleeds air when reconnecting the barrel and head, reducing air locks and priming problems
- boost mode - 10,000 PSI clears clogged fittings
- volume mode - 20% more grease per stroke

Part #	Price/E
L1185L	\$334.80

Thread Sealant Paste



- temperature range: **-300°F to 500°F**

Can Size	Part #	Price/E	Opt Qty
¼ pint	LCTS14	\$14.75	12
½ pint	LCTS1	21.55	24
1 pint	LCTS2	33.75	12
1 quart	LCTS3	60.35	12

Industrial Teflon® Tape (White)

- meets Military Specification MIL-T-27730A
- thickness: 3.00 and 3.5 mil (.09 mm)
- temperature range: **-212°F to 500°F**



Size	Length	Part #	Price/E	Opt Qty
½"	260"	TTA50	\$0.90	500
½"	520"	TTB50	1.50	500
½"	1296"	TTC50	4.50	500
¾"	260"	TTA75	1.40	350
¾"	520"	TTB75	2.25	350
1"	520"	TTB100	2.85	250

Stainless Steel Teflon® Tape (Gray)

- thickness: 4 mil
- temperature range: **-58°F to 600°F**
- meets Military Specification MIL-T-27730A
- TFE acts as a chemical protection and lubricant
- especially useful on stainless steel threaded joints or connections
- 100% Teflon® with nickel added
- nickel acts like a ball bearing



Size	Length	Part #	Price/E	Opt Qty
½"	260"	TTA50SS	\$15.70	10

Industrial Heavy Duty Teflon® Tape (Pink)

- thickness: 4 mil
- temperature range: **-400°F to 500°F**



Size	Length	Part #	Price/E	Opt Qty
½"	540"	TTBP50	\$7.50	330

UL Teflon® Tape for LP Gas (Yellow)

- thickness: 4 mil
- service temperature: **500°F (260°C)**
- Underwriters Listed



Size	Length	Part #	Price/E	Opt Qty
½"	260"	TTA50LP	\$3.80	500

Joint Sealant Gasket Material

- GORE-TEX® Interchangeable
- Form-In-Place expanded PTFE gasket material with adhesive backing
- manufactured from 100% virgin PTFE
- unaffected by all common chemicals (pH from 0-14)
- unlimited shelf life
- resilient with low cold flow
- requires less force than standard gasket materials
- pressure range from vacuum to 3000 PSI
- temperature range: **-450°F** to **600°F**
- made in the USA
- larger spools are available, consult factory for price and availability
- FDA compliant #21CFR177.1550

Size	Length	Part #	Price/E
1/4"	20'	LCJS4-20	\$69.45
1/4"	50'	LCJS4-50	159.55
3/8"	25'	LCJS6-25	127.50
1/2"	15'	LCJS8-15	127.50
3/4"	15'	LCJS12-15	291.85



Leak Detector

- detects leaks by forming bubbles which remain for up to ten minutes
- will not cause corrosion or deterioration
- color: fluorescent yellow
- non-toxic, non-freezing
- temperature range: **-7°F** (-20°C) to **180°F** (82°C)
- meets Federal specification MIL-L-25567-C

Size	Part #	Price/E	Case Qty
8 oz.	LCLD	\$11.90	24



Dixon Coupling Lubricant

For use in assembly operations involving natural or synthetic rubber or plastic. Also an excellent lubricant when rubber or plastic needs to be cut, machined, pressed, turned, trimmed or ground.

- biodegradable lubricant for coupling shanks

Size	Part #	Price/E
1 liter	DCL20	\$35.70
4 liters	DCL80	91.25



DCL20

DCL80

WD-40 Smart Straw

- permanently attached straw
- flip up for a precision spray; flip down for regular spray action
- should not be used as a lubricant for coupling shanks
- sold in case quantities only

SAFETY
ALERT

Size	Part #	Price/E	Case Qty
11 oz.	WD40	\$18.80	12



Maint. &
Repair

Coupling Inserter for Large Hose



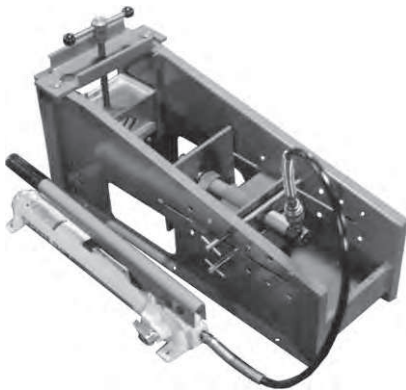
- highly portable
- inserts 4", 5", 6", 8", 10" and 12" couplings
- includes CI96AH pump (shown below)

Part #	Price/E
CI9	\$5180.00

- coupling inserter pusher plates (not shown) must be purchased separately

Hose ID	Part #	Price/E
4" - 5"	45CIPUSH	\$300.00
6" - 8"	68CIPUSH	380.00
10" - 12"	1012CIPUSH	530.25

Coupling Inserters



coupling inserter with hand pump



air/hydraulic foot pump

- for insertion of hose shanks into hose with a 2¾" to 7¼" OD

Description	Part #	Price/E
Supplied with a 10,000 PSI hand pump and 5 ton ram	CI96	\$6015.00
Supplied with a 10,000 PSI air/hydraulic pump and 5 ton ram	CI96AH	7095.00
Small jaws for 1" to 3" OD hose	CI9311SML	180.00

Hand Hydrotest Pump



- stainless steel piston, aluminum body
- designed for use in testing pipe lines, pressure tanks and pressure vessels
- uses efficient and long lasting check valves
- cylinder displacement: 1.37 cubic inches
- 0-1000 PSI pressure gauge, 10' pressure hose and quick disconnect coupler included
- piston: 7/8" with 2" stroke

Inlet NPT	Outlet NPT	Working Pressure PSI	Part #	Price/E
½"	½"	1000	HHTP	\$1827.90

Hydrostatic Test Pumps

A safe, cost effective pump to test hose before putting it into service.

Electric

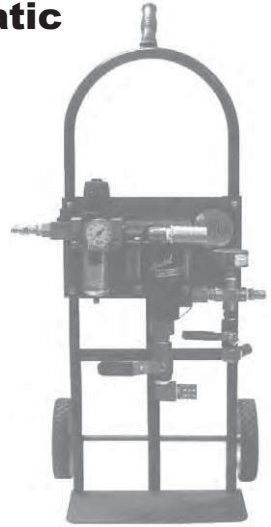
- 1.3 GPM fill rate
- test pressure: 200 to 2000 PSI
- suction strainer keeps dirt out of pump
- high pressure test gauge
- 115v motor
- 2 ft. power cord
- easy to use, portable



Description	Part #	Price/E
electric test pump	ETP	\$4600.00

Pneumatic

- 5.5 GPM fill rate
- test pressure: 0 to 1500 PSI
- stainless interior
- air gauge for quick, easy adjustment of maximum test pressure
- high pressure test gauge
- filter/regulator for clean, dry air to ensure long life of unit
- on - off valve for air input
- 15 ft. of hose included
- easy to use, portable
- Use of coalescing filter and water filter recommended for prolonged life.



Description	Part #	Price/E
pneumatic test pump	PTP	\$5980.00

Hydrostatic Test Pump Accessories

- cost effective, pre-assembled caps or plugs to quickly set up and test hoses
- Caps and plugs come equipped with 1/2" brass straight-through plugs for quick attachment to the intermediate hose on the test pump (Pneumatic Test Pump) and bleed-off valve.

cam & groove test caps for male adapters

Size	Part #	Price/E
1"	ID100TC	\$160.00
1½"	ID150TC	250.00
2"	ID200TC	196.50
3"	ID300TC	335.00
4"	ID400TC	520.00

cam & groove test plugs for female couplers

Size	Part #	Price/E
1"	IA100TP	\$140.00
1½"	IA150TP	175.00
2"	IA200TP	160.00
3"	IA300TP	350.00
4"	IA400TP	380.00

female NPT test caps

Size	Part #	Price/E
1"	NPT100TC	\$129.40
1½"	NPT150TC	170.00
2"	NPT200TC	200.00
3"	NPT300TC	350.00
4"	NPT400TC	400.00

male NPT test plugs

Size	Part #	Price/E
1"	100TP	\$205.00
1½"	150TP	220.00
2"	200TP	200.00
3"	300TP	291.50
4"	400TP	405.00

bleed-off valve

Description	Part #	Price/E
for pneumatic test pump	IBV50BOV	\$89.80

FRL Attachment Accessories

Description	Part #	Price/E
3/8" Wilkerson modular coalescing filter (automatic drain)	M16-03A	\$276.25
3/8" Wilkerson modular coalescing filter (manual drain)	M16-03M	220.60
Modular sleeve needed to connect M16-03A or M16-03M	GPA-95-292	17.00

Spill Kits

Spill kits are easily stored behind a seat or in a storage compartment allowing drivers to act quickly when responding to a spill.

Poly-zip bag and bucket kits contain:

- 10 pads (15" x 19")
- 3 socks (3" x 4')
- 2 disposal bags with ties
- 1 pair Nitrile gloves



oil spill kit



universal spill kit

Part #	Description	Price/E
DSK5-O	oil only, in 6½ gallon pail	\$122.10
DSK5-U	universal, in 6½ gallon pail	118.40
DSKB-O	oil only, in clear poly bag with zipper	85.10
DSKB-U	universal, in clear poly bag with zipper	80.15

Heavy-Duty Lava Hand Cleaner



- heavy duty hand cleaner with pumice
- 7.5 fl oz pump bottle
- sold in case quantity only

Part #	Case Qty	Price/E
LAVA221	12	\$11.50

Marking Pens



- marks on wood, glass, paper, metal, and many other surfaces
- permanent mark, but can be removed with fluid remover
- unique valve action prevents tip drying

Color	Part #	Price/E
black	BK91	\$14.40
white	WT91	14.40
yellow	YW91	14.40

Dixon Soft Hose Mallet



- soft mallet for pounding metal objects without damaging them
- The head material will not crack and is firmly attached to strong shaft-handle.
- length: 23"
- weight: 10 lbs.

Part #	Price/E
DCM1	\$350.00

Dixon Hose Knife



- for fast cutting of rubber hose and belting
- guard protects hand while cutting

Part #	Price/E
DRK15	\$24.35

Diameter Tape



- 6' tape for quickly finding the outside diameter of any cylindrical object
- converts circumference to OD at the measured point
- ABS case

Part #	Price/E
DDT1	\$17.50

Spiral Guard™ Hose and Cable Protection

Provides heavy duty hose, cable or wire protection. Used in mining, quarrying, forestry, offshore industries and most hydraulic hose applications.

- crush and high abrasion resistance
- chemical and UV ray resistant
- self-lubricating to reduce hose wear
- easy to install on-site
- smooth radius on all edges
- can be used on single or multiple hose bundles
- spiral guard ID is equal to the guard at rest
- sold in coil lengths only



Flame Retardant Product

- approved by MSHA 1C-231/1
- flame retardant and self extinguishing
- temperature range: **-148°F to 212°F**, (-100°C to 100°C)

Nominal ID	Coil Length	OD Range (inches)	Part #	Price/E
1/2"	66'	1/2" to 5/8"	FRSGX16	\$206.55
5/8"	66'	5/8" to 7/8"	FRSGX20	274.85
3/4"	66'	7/8" to 1-1/16"	FRSGX25	360.25
15/16"	66'	1-1/16" to 1-1/4"	FRSGX32	659.95
1-1/4"	66'	1-1/4" to 1-5/8"	FRSGX40	832.30
1-1/2"	66'	1-5/8" to 2-1/8"	FRSGX50	1184.75
1-15/16"	66'	2" to 2-1/2"	FRSGX63	1509.25
2-3/8"	66'	2-1/2" to 3-1/4"	FRSGX75	1871.05
2-5/8"	66'	3" to 6"	FRSGX90	2127.25
3-3/16"	33'	6" plus	FRSGX110	1415.35

Standard Product

- not flame retardant
- temperature range: **-58°F to 194°F**, (-50°C to 90°C)

Nominal ID	Coil Length	OD Range (inches)	Part #	Price/E
1/2"	66'	1/2" to 5/8"	NFSGX16	\$102.50
5/8"	66'	5/8" to 7/8"	NFSGX20	142.90
3/4"	66'	7/8" to 1-1/16"	NFSGX25	197.20
15/16"	66'	1-1/16" to 1-1/4"	NFSGX32	282.60
1-1/4"	66'	1-1/4" to 1-5/8"	NFSGX40	419.25
1-1/2"	66'	1-5/8" to 2-1/8"	NFSGX50	549.70
1-15/16"	66'	2" to 2-1/2"	NFSGX63	754.65
2-3/8"	66'	2-1/2" to 3-1/4"	NFSGX75	1080.70
2-5/8"	66'	3" to 6"	NFSGX90	1397.50
3-3/16"	33'	6" plus	NFSGX110	832.30

Fire Jacket for Hose

Used to protect hose and hose assemblies, tubing, piping, wiring and cables from high temperatures or molten splash. Helps maintain line temperature and reduce environmental overheating and overcooling.

- Slewing slides easily over hose and expands to go over fittings.
- resistant to hydraulic fluids and lubricating oil
- color is iron oxide red
- compounded silicone rubber coating over fiberglass
- completely non-asbestos
- supplied in 50' lengths
- temperature range: **-65°F to 500°F** (-54°C to 260°C)

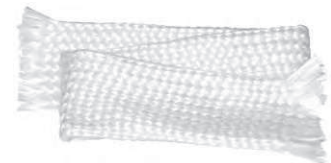
Nominal ID	Part #	Price/E	Nominal ID	Part #	Price/E
1/4"	0610-4	\$180.05	1 1/4"	3210-20	\$461.35
3/8"	1010-6	213.80	1 1/2"	3810-24	523.25
1/2"	1310-8	236.30	1 3/4"	4510-28	650.00
5/8"	1610-10	270.05	2"	5110-32	753.90
3/4"	1910-12	301.00	2 1/2"	6410-40	922.70
7/8"	2210-14	360.10	3"	7610-48	1353.05
1"	2510-16	382.60	4"	10210-64	1668.15



Fiberglass Sleeving

- Braided texturized fiberglass tubing provides thermal insulation protection in applications with service temperatures up to **1000°F**.
- supplied in a continuous length of 100'
- 1/16" wall thickness is braided from texturized E-glass filament yarns. The untreated tubing is flexible and expands to cover changing diameters.

Nominal ID	Part #	Price/E	Nominal ID	Part #	Price/E
1/4"	LW04200	\$78.80	1-1/4"	LW20200	\$213.80
3/8"	LW06200	78.80	1-1/2"	LW24200	309.45
1/2"	LW08200	123.80	2"	LW32200	360.10
5/8"	LW10200	129.40	2-1/2"	LW40200	388.20
3/4"	LW12200	135.05	3"	LW48200	421.95
7/8"	LW14200	151.95	3-1/2"	LW56200	506.35
1"	LW16200	208.20	4"	LW64200	523.25



Fire Tape



- fiberglass coated silicone rubber
- fluid resistant to hydraulic fluids and lubricating oils
- color is iron oxide red
- temperature range: **-65°F to 500°F**

Size	Length	Part #	Price/E
3" width	50'	4055-3	\$641.40

Fire Tape for Hose



Silicone rubber tape used to seal the ends of fire sleeves to prevent fraying.

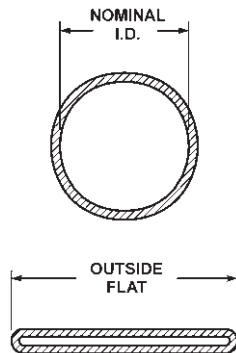
- completely non-asbestos
- color is iron oxide red
- temperature range: **-45°F to 380°F** (-45°C to 200°C)

Size	Length	Part #	Price/E
1"	12 yards	FTH100	\$51.10

Nylon Protective Sleeves - MSHA Accepted



- Woven nylon tubular sleeving, ideal for use as a protective covering on hydraulic and industrial hose.
- Tight weave of the seamless tubular sleeving helps dispense the flow of fluid in a ruptured hose.
- MSHA accepted, withstands temperatures up to **275°F** (135°C) and fully passes flammability tests.



Nominal ID	Outside Flat	100' rolls		300' rolls	
		Part #	Price/E	Part #	Price/E
0.90"	1.50"	DHS90-100	\$142.35	DHS90-300	\$388.20
1.00"	1.66"	DHS100-100	152.90	DHS100-300	417.00
1.13"	1.88"	DHS106-100	164.10	DHS106-300	447.40
1.25"	2.13"	DHS122-100	186.95	DHS122-300	509.85
1.46"	2.25"	DHS138-100	212.95	DHS138-300	580.70
1.42"	2.50"	DHS142-100	218.35	DHS142-300	595.45
1.58"	2.75"	DHS159-1-100	226.10	DHS159-1-300	616.55
1.78"	2.88"	DHS175-100	248.25	DHS175-300	677.00
1.91"	3.00"	DHS181-100	262.00	DHS181-300	714.50
2.18"	3.63"	DHS219-100	330.60	DHS219-300	901.70
2.38"	3.88"	DHS238-100	392.55	DHS238-300	1070.45
2.65"	4.25"	DHS263-100	418.55	DHS263-300	1141.50
2.86"	4.75"	DHS288-100	461.15	DHS288-300	1257.65
3.65"	5.88"	DHS366-100	550.05	DHS366-300	1500.00

Stretch Straps

- durable tie down straps
- made of EPDM
- length does not include S-hooks
- S-hooks are steel

Length	Part #	Price/E
10"	SSE10	\$3.00
15"	SSE15	3.80
21"	SSE21	4.40
31"	SSE31	5.20
41"	SSE41	6.25

WARNING!!

Failure to comply with this warning may result in serious damage and/or personal injury. Maximum end to end safe stretch = 150% of length

- do not exceed maximum safe stretch
- inspect before each use, do not use if strap is cut, cracked or abraded
- inspect hooks for damage and/or wear. Replace if needed.
- protect strap from sharp edges or heat.
- wear eye protection during use
- do not use this product as the primary tie down
- refer to federal or state regulations for proper tie down methods

**SAFETY
ALERT**



Safety Tag

Dixon strongly recommends the use of a safety tag or warning label on all hose assemblies.

- sold in quantities of 100 only

Size	Part #	Price/E
5" x 2-3/8"	DWL100	\$0.40

WARNING!!

- worn-out hose fittings should be replaced
- loose clamps on hose can be dangerous
- bolt type clamps should be retensioned regularly
- for extra safety, retaining devices such as clips, chains or cables must be used

**SAFETY
ALERT**



Safety Tape

Dixon strongly recommends the use of a safety tag or warning label on all hose assemblies.

- length of tape - 55 yards, approximately 255 warnings

Size	Part #	Price/E
1 1/2"	DSTW	\$20.70

WARNING!!

- worn-out hose fittings should be replaced
- loose clamps on hose can be dangerous
- bolt type clamps should be retensioned regularly
- for extra safety, retaining devices such as clips, chains or cables must be used

**SAFETY
ALERT**



Weatherproof First Aid Kit

- polypropylene case
- kit supports 25 persons
- each kits includes:
 - adhesive strips, large wound pads, eye pads, triangular bandage, first aid / burn cream, eye flush, elastic bandages, scissors, forceps, first aid instructions, gauze pads, adhesive tape, antiseptic towelettes, aspirin, cold pack, latex exam gloves
- 10 person and 50 person kits are also available, consult the factory for price and availability

Weight	Part #	Price/E
1.8 lbs.	FAK25P	\$72.75



S
Maint. &
Repair