

## 3" Drop Elbows (Tight Fill Couplers)

### Complete Units

- aluminum body
- brass handle and cam arms with buna gasket
- steel bolts on inlet end
- plexiglass sight flow insert with buna seals

Coupler Size	Inlet Size	Inlet Type	Aluminum	
			Part #	Price/E
3"	3"	male adapter	<b>300300MAE</b>	<b>\$625.00</b>
3"	4"	male adapter	<b>3004030MAE</b>	<b>660.00</b>
3"	3"	female coupler	<b>300300FCE</b>	<b>725.00</b>

### Coupler Body



#### plunger type handle

Size	Aluminum	
	Part #	Price/E
3"	<b>300-TFG</b>	<b>\$575.00</b>

### Inlet Ends



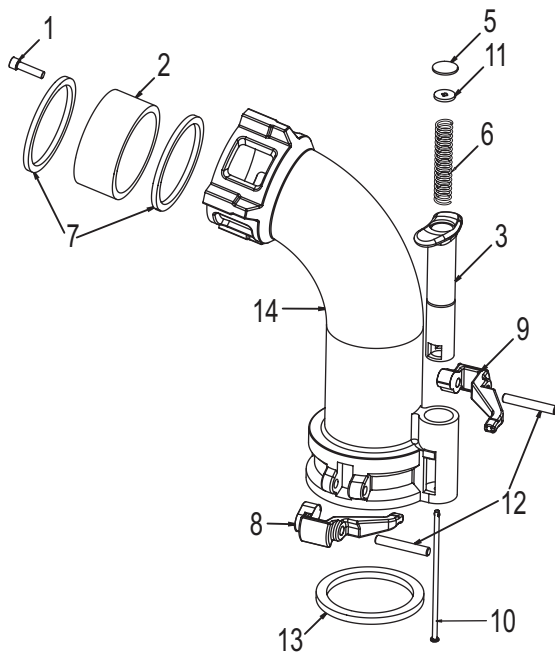
female coupler



male adapter

Inlet Size	Inlet Type	Aluminum	
		Part #	Price/E
3"	male adapter	<b>300-MAE</b>	<b>\$68.90</b>
4"	male adapter	<b>4030-MAE</b>	<b>102.90</b>
3"	female coupler	<b>300-FCE</b>	<b>175.00</b>

### Parts List



Item #	Description	Part #	Price/E
1	screw-inlet end	<b>P3-TFG-1</b>	<b>\$1.50</b>
2	plexiglass-shell only	<b>P3-TFG-2</b>	<b>30.00</b>
3	plunger	<b>P3-TFG-3</b>	<b>63.80</b>
4	full grip plunger	<b>P3-TFG-4</b>	<b>154.60</b>
5	plunger cap	<b>P3-TFG-5</b>	<b>5.50</b>
6	spring	<b>P3-TFG-6</b>	<b>6.80</b>
7	plexiglass gasket	<b>P3-TFG-7</b>	<b>3.50</b>
8	right cam arm	<b>P3-TFG-8</b>	<b>50.00</b>
9	left cam arm	<b>P3-TFG-9</b>	<b>50.00</b>
10	rod	<b>P3-TFG-10</b>	<b>9.00</b>
11	disc	<b>P3-TFG-11</b>	<b>9.50</b>
12	pin	<b>300-P</b>	<b>2.00</b>
13	coupler gasket	<b>300-G-BU</b>	<b>1.35</b>
14	body	<b>P3-TFG-13</b>	<b>---</b>



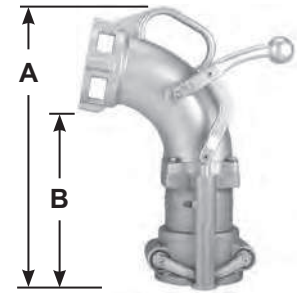
## 4" Drop Elbows (Tight Fill Couplers)

- cast aluminum modular construction
- stainless steel bolts on inlet end
- brass handle and cam arms with buna gasket
- acrylic sight glass with buna seals

### side lever type handle

Size	Inlet Type	A Overall Height	B Ground Clearance	Aluminum	
				Part #	Price/E
4"	elbow only, <i>without inlet connection</i>	17-3/4"	10-7/8"	<b>6200</b>	<b>\$880.10</b>
4"	elbow with 4" adapter inlet	17-3/4"	10-7/8"	<b>6200A</b>	<b>989.25</b>
4"	elbow with anti-spill sleeve, <i>without inlet connection</i>	17-3/4"	10-7/8"	<b>6200T</b>	<b>958.05</b>
4"	elbow with 4" coupler inlet	17-3/4"	10-7/8"	<b>6200D</b>	<b>1069.10</b>

The more popular elbow configurations are listed, other pre-assembled elbow configurations are available, contact Dixon for more information.



drop elbow with side lever no inlet

### side lever type handle - extended body

Size	Inlet Type	A Overall Height	B Ground Clearance	Aluminum	
				Part #	Price/E
4"	tall elbow only, <i>without inlet connection</i>	21"	13-3/4"	<b>6200X</b>	<b>\$982.60</b>
4"	tall elbow with 4" adapter inlet	21"	13-3/4"	<b>6200XA</b>	<b>1108.40</b>
4"	tall elbow with anti-spill sleeve, <i>without inlet connection</i>	21"	13-3/4"	<b>6200XT</b>	<b>1066.15</b>
4"	tall elbow with 4" coupler inlet	21"	13-3/4"	<b>6200XD</b>	<b>1177.55</b>
4"	tall elbow with anti-spill tube & 4" coupler inlet	21"	13-3/4"	<b>6200XDT</b>	<b>1261.00</b>

The more popular elbow configurations are listed, other pre-assembled elbow configurations are available, contact Dixon for more information.



drop elbow with side lever and female coupler inlet

### Self-Locking

Size	Inlet Type	A Overall Height	B Ground Clearance	Aluminum	
				Part #	Price/E
4"	tightfill elbow with locking handle	17-3/4"	10-7/8"	<b>6500</b>	<b>\$931.60</b>
4"	tightfill elbow with locking handle and 4" adapter inlet	17-3/4"	10-7/8"	<b>6500A</b>	<b>982.85</b>

The more popular elbow configurations are listed, other pre-assembled elbow configurations are available, contact Dixon for more information.



self-locking drop elbow

## Inlet Ends

Inlet Size	Inlet Type	Aluminum	
		Part #	Price/E
3"	male adapter	<b>6000-16</b>	<b>\$94.10</b>
4"	male adapter	<b>6000-17</b>	<b>94.10</b>
3"	female coupler	<b>6000-15</b>	<b>172.60</b>
4"	female coupler	<b>6000-14</b>	<b>172.60</b>
4"	female with FNPT	<b>6000-20</b>	<b>94.25</b>

Replacement parts are available, contact Dixon for more information.



female coupler  
6000-14, 6000-15



male adapter  
6000-16, 6000-17



female  
6000-20

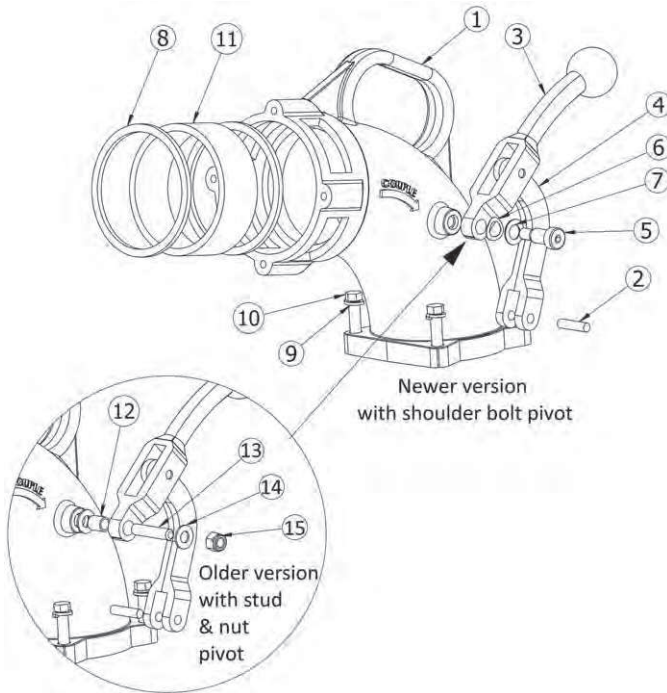


Tank Truck

## Top Side Lever Elbow Fits 6200 Elbow Only

For replacement parts for other style elbows, contact Dixon.

### Bill Of Materials



Item #	Description	Part #	Price/E	Qty
1	body	<b>6200-1</b>	<b>\$182.75</b>	1
2	pin	<b>PIN5/16x11/4P</b>	<b>2.90</b>	2
3	handle	use kit <b>6200-15ASSM</b>	---	1
4	handle linkage	use kit <b>6200-15ASSM</b>	---	1
5 <sup>1</sup>	shoulder bolt	use kit <b>6200SBK</b> <sup>1</sup>	---	1
6 <sup>1</sup>	wave washer	use kit <b>6200SBK</b> <sup>1</sup>	---	1
7 <sup>1</sup>	SS flat washer	use kit <b>6200SBK</b> <sup>1</sup>	---	1
8A	Baylast™ gasket	<b>4433</b>	<b>9.45</b>	2
8B	Viton® gasket (opt.)	<b>4426</b>	<b>11.65</b>	2
9	lock washer	use kit <b>6000EHK</b>	---	4
10	bolt	use kit <b>6000EHK</b>	---	4
11	sight glass	use kit <b>6200SGK</b>	---	1
12 <sup>2</sup>	bushing	use kit <b>6200SHK</b> <sup>2</sup>	---	1
13 <sup>2</sup>	stud	use kit <b>6200SHK</b> <sup>2</sup>	---	1
14 <sup>2</sup>	nylon washer	use kit <b>6200SHK</b> <sup>2</sup>	---	2
15 <sup>2</sup>	nut	use kit <b>6200SHK</b> <sup>2</sup>	---	1

<sup>1</sup> items 5 - 7 are for newer version with shoulder bolt pivot only.

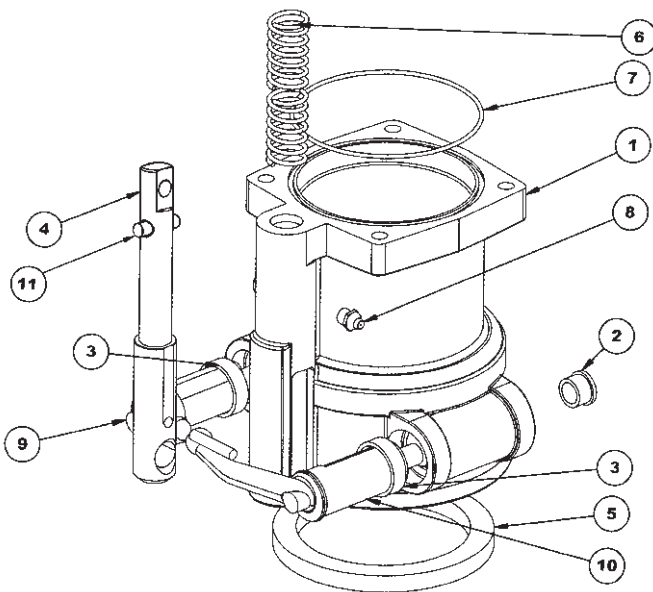
<sup>2</sup> for older version with stud and nut pivot use items 12 - 15 only

### Repair Kits

Part #	Description	Includes	Price/E
<b>6200SGK</b>	replacement sight glass and Baylast™ seals	8, 11	<b>\$50.90</b>
<b>6000EHK</b>	replacement bolts and lock washers	9, 10	<b>8.55</b>
<b>6200-15ASSM</b>	replacement handle, linkage and pin	2, 3, 4	<b>54.65</b>
<b>6200SHK</b> <sup>2</sup>	replacement stud pivot, nylon washers, bushing and nut	5, 6, 7	<b>15.95</b>
<b>6200SBK</b> <sup>2</sup>	replacement stud pivot, nylon washers, bushing and nut	12, 13, 14, 15	<b>2.15</b>

## Bottom Unit, for Side Lever Elbows Fits 6200, 6400 and 6500 Standard and Tall Elbows

### Bill Of Materials



Item #	Description	Part #	Price/E	Qty
1	body	use kit <b>6230</b>	---	1
2	small bushing	use kit <b>6200BK</b>	---	2
3	large bushing	use kit <b>6200BK</b>	---	2
4A	handle stem (stand.)	<b>6200-7</b>	<b>\$71.55</b>	1
4B	handle stem (tall)	<b>6200-7X</b>	<b>88.95</b>	1
5	main gasket	<b>6000-9</b>	<b>7.90</b>	1
6	spring	<b>112012</b>	<b>5.70</b>	1
7	O-ring	<b>AS156</b>	<b>2.60</b>	1
8	grease nipple	<b>NIPPLE/1</b>	<b>6.65</b>	1
9	right arm	use kit <b>6200ARK</b>	---	1
10	left arm	use kit <b>6200ARK</b>	---	1
11	pin	<b>PIN5/16x11/4P</b>	<b>2.90</b>	1

### Repair Kits

Part #	Description	Includes	Price/E
<b>6230</b>	complete standard replacement bottom unit	all	<b>\$417.40</b>
<b>6230X</b>	complete tall replacement bottom unit	all	<b>490.20</b>
<b>6200ARK</b>	replacement left and right arms, main gasket, O-rings, small and large bushings	2, 3, 5, 7, 9, 10	<b>137.45</b>
<b>6200BK</b>	replacement small and large bushings	2, 3	<b>41.55</b>

## Vapor Recovery Drop Elbows

- for use in two point vapor recovery system
- one-piece bronze locking arms housed in polymer bushings
- advanced design side lever locking system
- Buna seals and stainless steel hardware
- bolt on 3" male outlet included (**VR6000-6**) which can be rotated for extended life
- lubrication fitting on locking stem

Note: See 6400 co-axial elbow for single point vapor recovery on page 602.



Description	Aluminum	
	Part #	Price/E
3" male adapter outlet without poppet valve	<b>VR6200NP</b>	<b>\$690.70</b>
3" male adapter outlet with probe and poppet valve	<b>VR6200</b>	<b>786.45</b>

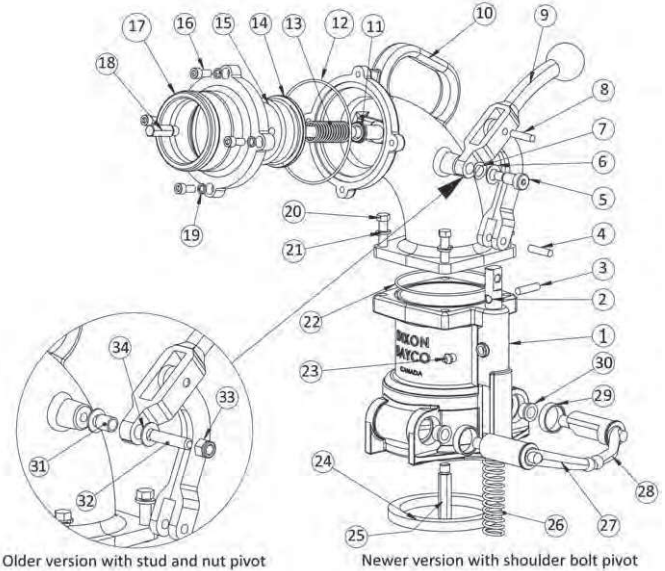
## VR6200 Series Vapor Elbows

### Bill Of Materials

Item #	Description	Part #	Price/E	Qty
1	bottom body	use kit <b>VR6030</b>	---	1
2	stem	<b>6200-7</b>	<b>\$71.55</b>	1
3	stem stop pin	<b>PIN 5/16X1¼-P</b>	<b>POR</b>	1
4	stem link pin	<b>PIN 5/16X1¼-P</b>	<b>POR</b>	1
5 <sup>1</sup>	shoulder bolt pivot	use kit <b>6200SBK</b> <sup>1</sup>	---	1
6 <sup>1</sup>	SS flat washer	use kit <b>6200SBK</b> <sup>1</sup>	---	1
7 <sup>1</sup>	wave washer	use kit <b>6200SBK</b> <sup>1</sup>	---	1
8	handle pin	<b>PIN 5/16X1¼-P</b>	<b>POR</b>	1
9	handle and linkage	use kit <b>6200-15ASSM</b>	---	1
10	top elbow body	<b>VR6000-1</b>	<b>192.45</b>	1
11	poppet bushing	<b>VR6000-3</b>	<b>12.30</b>	1
12	outlet O-ring only	<b>110319</b>	<b>2.60</b>	1
13	poppet spring	<b>L1110-L2287</b>	<b>17.75</b>	1
14	Viton® poppet seal	<b>O-RING-AS-334</b>	<b>11.15</b>	1
15	poppet valve	<b>VR6000-4</b>	<b>57.45</b>	1
16	outlet adapter bolt	use kit <b>6000NPHK</b>	---	4
17	outlet adapter with outlet O-ring	<b>VR6000-6</b>	<b>59.70</b>	1
18	poppet valve stand off	<b>VR6000-5</b>	<b>12.85</b>	1
19	lock washer	use kit <b>6000NPHK</b>	---	4
20	bolt	use kit <b>6000EHK</b>	---	4
21	lock washer	use kit <b>6000EHK</b>	---	4
22	body O-ring	<b>AS156</b>	<b>2.60</b>	1
23	grease nipple	<b>NIPPLE/1</b>	<b>6.65</b>	1
24	main seal gasket	<b>6000-9</b>	<b>7.90</b>	1
25	probe	<b>VR6000-7</b>	<b>9.45</b>	1
26	stem spring	<b>112012</b>	<b>5.70</b>	1
27	left arm	<b>VR6000-9</b>	<b>72.70</b>	1
28	right arm	<b>VR6000-8</b>	<b>72.70</b>	1
29	large bushing	use kit <b>6200BK</b>	---	2
30	small bushing	use kit <b>6200BK</b>	---	2
31 <sup>2</sup>	pivot bushing	use kit <b>6200SHK</b> <sup>2</sup>	---	1
32 <sup>2</sup>	pivot stud	use kit <b>6200SHK</b> <sup>2</sup>	---	1
33 <sup>2</sup>	pivot lock nut	use kit <b>6200SHK</b> <sup>2</sup>	---	1
34 <sup>2</sup>	nylon washer	use kit <b>6200SHK</b> <sup>2</sup>	---	2

<sup>1</sup> items 5 - 7 are for newer version with shoulder bolt pivot only.

<sup>2</sup> for older version with stud and nut pivot use items 31 - 34 only.



Older version with stud and nut pivot

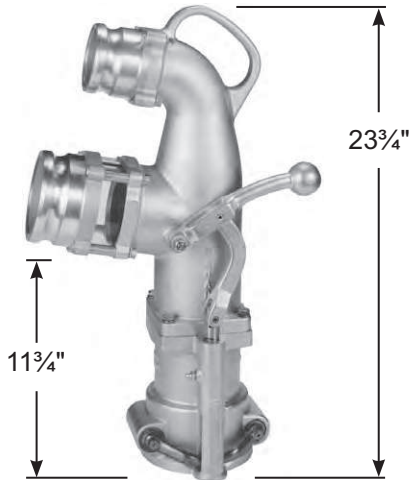
Newer version with shoulder bolt pivot

### Repair Kits

Part #	Description	Includes	Price/E
<b>VR6230</b>	complete replacement bottom body	1, 2, 3, 22, 23, 24, 25, 26, 27, 28, 29, 30	<b>\$434.50</b>
<b>6200SBK</b> <sup>1</sup>	replacement shoulder bolt pivot, wave washer and flat washer	5, 6, 7	<b>2.15</b>
<b>6200-15ASSM</b>	replacement handle, linkage and linkage pin	8, 9	<b>54.65</b>
<b>6000NPHK</b>	replacement adapter (4) bolts and lock washers	16, 19	<b>5.80</b>
<b>6000EHK</b>	replacement body bolts and lock washers	20, 21	<b>8.55</b>
<b>6200BK</b>	replacement (2) large and small arm bushing	29, 30	<b>41.55</b>
<b>6200SHK</b> <sup>2</sup>	replacement stud pivot, nylon washer, bushing and nut	31, 32, 33, 34	<b>15.95</b>

Tank Truck

### Co-axial Drop Elbow



- for single point vapor recovery only
- 3" male vapor outlet (top)
- comes assembled with 4" male inlet
- Note: 6400 co-axial inlets do not fit our other elbow series
- quality cast aluminum construction with solid bronze arms
- bolt-on inlets/outlets for easy, fast replacement
- acrylic sight glass with buna seals

Description	Aluminum	
	Part #	Price/E
4" male inlet	<b>6400</b>	<b>\$1285.60</b>

Replacement parts are available, please contact Dixon.

### Side Seal Drop Elbow



- for use with special 4" side seal style fill collars only
- modular, easy to repair, bolt together aluminum construction
- comes with acrylic sight glass with buna seals (2), bronze locking levers and buna main seal
- 4" male adapter inlet and lock ring installed

Description	Aluminum	
	Part #	Price/E
side seal elbow with lock ring and 4" male adapter inlet	<b>6000ASAL</b>	<b>\$782.05</b>

Replacement parts are available, please contact Dixon.

### Side Seal Adapter



- allows conventional elbows to be used with special side seal style fill collars
- bottom connects to side seal fill collar
- top section with standard 4" top seal collar profile to accept clamping of standard 4" drop elbows

Description	Aluminum	
	Part #	Price/E
side seal connection x 4" top seal drop elbow adapter	<b>6000-SSA</b>	<b>\$355.45</b>

Replacement parts are available, please contact Dixon.

## Tank Truck Flanged Sight Flow Indicators

**SAFETY**  
ALERT

Note: Due to the proprietary blending of petroleum products, Dixon recommends that the thermoplastic tubing and the gaskets be immersion tested in the product to be handled to ensure compatibility (not compatible with crude oil).

- For tank truck flange gaskets, see page 56.
- For dimensional information on tank truck flange drilling, see page 661.

- replaces the acrylic sight glass commonly found on tank trucks
- allows for visual identification of the fuel grade prior to opening the valve
- works with tank truck flanged butterfly valves found on gasoline trucks
- low cost sight glass tube can be replaced easily
- rugged cast aluminum housing is more durable than acrylic sight glass

### TTMA pattern flanged short sight flow indicators

Size	Aluminum	
	Part #	Price/E
4"	<b>5200-SFI</b>	<b>\$170.50</b>
3"	<b>5200-SFI-3</b>	<b>156.00</b>

### repair kits

Description	Part #	Price/E
3" replacement sight glass, Baylast™ O-ring and retainer ring kit	<b>5200-SFI-3-RK1</b>	<b>\$76.10</b>
3" replacement sight glass, Viton® O-ring and retainer ring kit	<b>5200-SFI-3V-RK1</b>	<b>140.95</b>
4" replacement sight glass, Baylast™ O-ring and retainer ring kit	<b>5200-SFI-RK1</b>	<b>76.10</b>
4" replacement sight glass, Viton® O-ring and retainer ring kit	<b>5200-SFIV-RK1</b>	<b>140.95</b>



- allows for visual identification of the fuel grade prior to opening the valve
- works with tank truck flanged butterfly valves found on gasoline trucks
- larger ID (4-3/8") allows tank truck flanged butterfly valves to connect to either end of the indicator
- rated to **150 PSI**

### sight flow indicator with 4-3/8" flow

Size	Aluminum		Opt Qty
	Part #	Price/E	
4"	<b>5201-SFI</b> <sup>1</sup>	<b>\$241.50</b>	5
4"	<b>400-SFI-AL</b> <sup>2</sup>	<b>218.40</b>	5

<sup>1</sup> 5201-SFI does not require gasket shown in picture

<sup>2</sup> 400-SFI-AL will be discontinued once stock has been depleted

### replacement parts

Description	Used on	Part #	Price/E
replacement Baylast O-rings, sight glass and retaining ring plexiglass insert	5201-SFI	<b>5201-SFI-RK1</b>	<b>\$79.55</b>
Buna-N gasket	400-SFI-AL	<b>4SFIPSG</b>	<b>80.00</b>
Viton® gasket		<b>O249BU</b>	<b>4.75</b>
		<b>4SFI-G-VI</b>	<b>44.10</b>

- allows for visual identification of the fuel grade prior to opening the valve
- 4" flow diameter

### sight flow indicator with 4" flow

Size	Aluminum		Opt Qty
	Part #	Price/E	
4"	<b>4-1460-AL</b>	<b>\$183.75</b>	10

### replacement parts

Description	Part #	Price/E	Opt Qty
plexiglass insert	<b>4PSG</b>	<b>\$84.00</b>	10
Buna-N O-ring	<b>O246BU</b>	<b>4.25</b>	10



400-SFI-AL



Q  
Tank  
Truck

## Fill Pipe Adapters

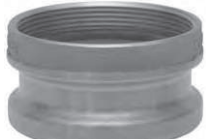
### TFA Series Adapters



- for use with 3" drop elbows (300-TFG)

Adapter Size	Female NPT Thread	Aluminum - hardcoat		opt qty
		Part #	Price/E	
3"	3"	<b>300-TFA</b>	<b>\$62.65</b>	10

### Fill Adapters



fill adapter with NPSM thread

- for use with 4" drop and co-axial elbows (6200, 6400 and 6500 series)
- **BZ4051S** has NPSM thread and is supplied with a gasket



fill adapter with NPT thread

Adapter Size	Female Thread	Height	Material	Part #	Price/E	opt qty
4"	4" NPSM	2-3/8"	bronze	<b>BZ4051S</b>	<b>\$104.15</b>	5
4"	4" NPT	3-1/2"	bronze	<b>BZ4051</b>	<b>124.85</b>	5

### Vapor Recovery Adapters

- low profile design
- poppeted vapor collar at station vapor outlet
- can also be used as vapor valve on tanker but does not have air interlock mount
- for use with dual point vapor elbows (VR6200 series)



Adapter Size	Female Thread	Height	Material	Part #	Price/E	opt qty
4"	4" NPT	3-5/8"	bronze	<b>VR4086</b>	<b>\$295.21</b>	5
4"	4" NPT	3-5/8"	ZN-AL alloy	<b>VR4086-BY</b>	<b>232.40</b>	5

Replacement part are available, contact Dixon for more information.

### Fill Pipe Adapter Caps

- single action locking cap
- aluminum cap
- bronze cam arms



Size	Aluminum		opt qty
	Part #	Price/E	
4"	<b>SA4050AL</b>	<b>\$100.00</b>	10

Replacement part are available, contact Dixon for more information.



**API Dust Cap**

Size	Description	Aluminum		opt qty
		Part #	Price/E	
4" API	with flat gasket	<b>41450-DCAL</b>	<b>\$148.90</b>	5
	with O-ring seal	<b>5000-24</b>	<b>120.50</b>	10
Size	Description	Nylon		opt qty
		Part #	Price/E	
4" API	with flat gasket	<b>5000-25</b>	<b>\$85.60</b>	20

**Gravity Drop Adapters**

- for offloading through an API Adapter

Adapter Size	Coupler Size	Description	Aluminum	
			Part #	Price/E
3"	4" API	with O-ring seal with flat gasket	<b>4530</b>	<b>\$190.35</b>
3"	4" API	with inline sight glass and flat gasket	<b>4530SG</b>	<b>242.20</b>
3"	4" API	with flat gasket	<b>31440-225AL</b>	<b>183.80</b>
4"	4" API	with O-ring seal	<b>4540</b>	<b>190.35</b>
4"	4" API	with inline sight glass and flat gasket	<b>4540SG</b>	<b>244.50</b>
4"	4" API	with flat gasket	<b>41440-225AL</b>	<b>189.60</b>



4540

**4530SG and 4540SG repair kits**

Description	Part #	Price/E
sight glass repair kit (fits 3" and 4")	<b>4540SG-RK1</b>	<b>\$63.65</b>
replacement cam arms and pins (fits 3" and 4")	<b>4540SG-RK3</b>	<b>29.00</b>
replacement chain and "S" hook	<b>5205-RK4</b>	<b>10.40</b>



4540SG

**replacement gaskets**

Description	Material	Part #	Price/E
O-ring replacement seal for 4530, 4540, 5000-24	Baylast	<b>4500-5</b>	<b>\$6.85</b>
flat replacement gasket for 4530SG, 4540SG	Baylast	<b>4540SG-RK2</b>	<b>8.25</b>
flat replacement gasket for 31440-225AL, 41440-225AL, 41450-DCAL	Buna	<b>2143SEALBU</b>	<b>13.00</b>
flat replacement gasket for 5000-25	Buna	<b>5000-25RK1</b>	<b>16.15</b>

**4" Vapor Caps**

- special locking cap for underground tank vapor outlet VR4086 and tanker vapor valves
- bronze cam arms
- aluminum painted vapor recovery orange

Size	Aluminum	
	Part #	Price/E
4"	<b>VR4050AL</b>	<b>\$102.10</b>



Centered 'T' handle allows for one-handed use and provides a solid locking mechanism.

- strong and lightweight
- built-in locking feature
- corrosion resistant materials
- color coded vapor recovery orange

Size	Nylon	
	Part #	Price/E
4"	<b>VR4050PL</b>	<b>\$62.90</b>



Replacement parts are available, contact Dixon for more information.



## Tank Transport Equipment

\* Teflon® gaskets are standard in stainless steel fittings.

### Fusible Pipe Caps

female NPSM



Size	Stainless Steel *		Opt Qty	Aluminum		Opt Qty	Iron		Opt Qty
	Part #	Price/E		Part #	Price/E		Part #	Price/E	
3"	<b>300-SFC-SS</b>	<b>\$110.25</b>	10	<b>300-SFC-AL</b>	<b>\$107.50</b>	10	<b>300-SFC-MI</b>	<b>\$108.15</b>	10

### Pipe Caps

female NPSM



Size	Stainless Steel *		Opt Qty	Aluminum		Opt Qty	Iron		Opt Qty
	Part #	Price/E		Part #	Price/E		Part #	Price/E	
2"	<b>200-PC-SS</b>	<b>\$110.25</b>	--	---	---	--	<b>200-PC-MI</b>	<b>\$37.90</b>	--
3"	<b>300-PC-SS</b>	<b>86.75</b>	10	<b>300-PC-AL</b>	<b>\$41.60</b>	10	<b>300-PC-MI</b>	<b>50.40</b>	10
4"	<b>400-PC-SS</b>	<b>237.30</b>	--	---	---	--	---	---	--

### Reducers

female NPSM x male NPT



Size	Stainless Steel *		Opt Qty	Aluminum		Opt Qty	Iron		Opt Qty
	Part #	Price/E		Part #	Price/E		Part #	Price/E	
3" x 2"	<b>3020-RD-SS</b>	<b>\$140.00</b>	10	<b>3020-RD-AL</b>	<b>\$60.10</b>	10	<b>3020-RD-MI</b>	<b>\$58.00</b>	10
4" x 3"	<b>4030-RD-SS<sup>1</sup></b>	<b>570.75</b>	--	<b>4030-RD-AL</b>	<b>0</b>	--	---	---	--

<sup>1</sup> welded fabrication

### Reducing Cap

female NPSM x female NPT



Size	Stainless Steel *		Opt Qty
	Part #	Price/E	
3" x 1"	<b>3010-RC-SS</b>	<b>\$196.00</b>	10

## Gaskets and Washers

Size	Buna-N		Opt Qty	Teflon®		Opt Qty	Neoprene		Viton®	
	Part #	Price/E		Part #	Price/E		Part #	Price/E	Part #	Price/E
1½"	---	---	--	<b>150GPCTF</b>	<b>\$5.30</b>	--	---	---	---	---
2"	<b>200GPCBU</b>	<b>\$1.90</b>	25	<b>200GPCTF</b>	<b>4.75</b>	10	<b>KNW25</b>	<b>\$0.85</b>	<b>KVW25</b>	<b>\$10.10</b>
3"	<b>300GPCBU</b>	<b>2.15</b>	25	<b>300GPCTF</b>	<b>6.45</b>	25	<b>KNW35</b>	<b>1.35</b>	<b>KVW35</b>	<b>21.85</b>
4"	---	---	--	<b>400GPCTF</b>	<b>12.60</b>	--	<b>KNW40</b>	<b>2.15</b>	---	---

## Tank Transport Equipment - Intermodal

\* Teflon® gaskets are standard in stainless steel fittings.

### Pipe Caps

female BSPP



Size	Aluminum		Stainless Steel *		Opt Qty
	Part #	Price/E	Part #	Price/E	
3"	<b>300PCALAP</b>	<b>\$56.50</b>	<b>300PCSSAP</b>	<b>\$99.00</b>	10

### Thread Adapters

female BSPP x male NPT



Size	Stainless Steel *	
	Part #	Price/E
3" x 2"	<b>3020RDSSAP</b>	<b>\$175.00</b>
3" x 3"	<b>3030RDSSAP</b>	<b>245.70</b>

### Cam and Groove Adapter

female BSPP



Size	Stainless Steel *	
	Part #	Price/E
3"	<b>300ASSAP</b>	<b>\$152.80</b>

## Bayonet Style Dry Disconnect Couplings

Bayco brand BA and BS series bayonet dry disconnect fittings are designed for use in the fuel and lube oil service industry. These fittings are not designed to be interchangeable with other types of Dry Disconnects, however they are used with the Emco Wheaton™ Dry Break™ commonly found in these services. The maximum pressure rating for fittings is **85 PSI @ 70° F**, for pressure ratings at other temperatures contact Dixon.

### Adapters

#### bayonet style adapter x female NPT

Size	Seal Material	Stainless Steel		Brass		Aluminum	
		Part #	Price/E	Part #	Price/E	Part #	Price/E
2"	Buna	<b>BA31-200</b>	<b>\$209.45</b>	---	---	---	---
2"	Viton®	<b>BA32-200</b>	<b>209.45</b>	---	---	---	---
3"	Buna	---	---	<b>BA31-300</b>	<b>\$508.10</b>	<b>BA61-300</b>	<b>\$465.45</b>
3"	Viton®	---	---	<b>BA32-300</b>	<b>508.10</b>	<b>BA62-300</b>	<b>465.45</b>



### Dust Cap for Adapters

Size	Part #	Price/E
2"	<b>BAC-200</b>	<b>\$49.45</b>
3"	<b>BAC-300</b>	<b>55.00</b>

Rubber dust caps come with stainless steel chains.



### Couplers

#### bayonet style 90° swivel coupler x female NPT

Size	Seal Material	Anodized Aluminum	
		Part #	Price/E
2"	Buna	<b>BS61-200</b>	<b>\$839.75</b>
2"	Viton®	<b>BS62-200</b>	<b>905.70</b>
3"	Buna	<b>BS61-300</b>	<b>1435.15</b>
3"	Viton®	<b>BS62-300</b>	<b>1549.60</b>



#### bayonet style straight coupler x female NPT

Size	Seal Material	Anodized Aluminum	
		Part #	Price/E
2"	Buna	<b>BC61-200</b>	<b>\$667.15</b>
2"	Viton®	<b>BC62-200</b>	<b>727.30</b>



#### bayonet style straight swivel coupler x female NPT

Size	Seal Material	Anodized Aluminum	
		Part #	Price/E
2"	Buna	<b>BSS61-200</b>	<b>\$839.75</b>
2"	Viton®	<b>BSS62-200</b>	<b>905.70</b>
3"	Buna	<b>BSS61-300</b>	<b>1355.65</b>
3"	Viton®	<b>BSS62-300</b>	<b>1472.00</b>



Replacement parts are available, contact Dixon for more information.

### Dust Plug for Couplers

Size	Part #	Price/E
2"	<b>BCP-200</b>	<b>\$62.65</b>
3"	<b>BCP-300</b>	<b>71.30</b>

Rubber dust plugs come with stainless steel chains.



## Ball Nozzles for Bulk Delivery

- rugged construction for rapid fuel oil transfer/delivery
- high flow
- heavy duty roller ball swivel with low temperature seals freely rotates without leaking at **-40°F** and **100 PSI**
- 3 PSI check valve is included to prevent back flow, 5 PSI is optional

### ball nozzle with swivel adapter outlet

Female NPT Inlet	Outlet	Anodized Aluminum Part #	Price/E
1/4"	swivel quick fill nut	<b>BL062</b>	<b>\$687.35</b>
1/2"	swivel quick fill nut	<b>BL064</b>	<b>687.35</b>



BL062

### ball nozzle with spout outlet

Female NPT Inlet	Spout Outlet	Anodized Aluminum Part #	Price/E
1/4"	1/4"	<b>BL066</b>	<b>\$687.35</b>
1/2"	1/4"	<b>BL068</b>	<b>687.35</b>
1/2"	1/2"	<b>BL072</b>	<b>687.35</b>



BL072

### ball nozzle replacement spouts

Size	Aluminum Part #	Price/E
1/4"	<b>1143A</b>	<b>\$52.25</b>
1/2"	<b>1125A</b>	<b>56.90</b>

### ball nozzle without spout outlet

Female NPT Inlet	Female NPT Outlet	Anodized Aluminum Part #	Price/E
1/4"	1/4"	<b>BL066NS</b>	<b>\$582.65</b>
1/2"	1/4"	<b>BL068NS</b>	<b>583.65</b>
1/2"	1/2"	<b>BL072NS</b>	<b>582.65</b>



BL920

### super ball nozzle with spout outlet

Female NPT Inlet	NPT Spout Outlet	Anodized Aluminum Part #	Price/E
2"	2"	<b>BL920</b>	<b>\$791.80</b>

### super ball nozzle replacement spout

Size	Aluminum Part #	Price/E
2"	<b>391137</b>	<b>\$79.55</b>

Replacement parts are available, contact Dixon for more information.



## Automatic Shut-Off Nozzles

- for card lock and truck refueling stations
- Venturi type automatic shut-off
- high pressure design for up to **80 GPM** flow (requires minimum 7.5 GPM for auto shut-off)
- detachable trigger ratchet
- aluminum construction with bronze trigger

### pressure nozzle with spout

Female NPT Inlet	Spout Outlet	Aluminum Part #	Price/E
1¼"	1-3/8"	<b>1144D</b>	<b>\$735.00</b>
1½"	1-3/8"	<b>1124D</b>	<b>735.00</b>



## Standard Utility Nozzles

- for use with 12 volt pumps and gravity flow fittings
- diecast metal body; choice of spouts
- for economy fuel dispensing, including construction, farm and small truck utility tanks
- Underwriters Listed
- working pressure to **25 PSI**

Female NPT Inlet	Spout Outlet	Aluminum Part #	Price/E
1"	1" outlet	<b>900<sup>1</sup></b>	<b>\$65.45</b>
1"	1" straight	<b>900S</b>	<b>73.90</b>
1"	1" bent	<b>900B</b>	<b>73.90</b>
1"	¾" straight	<b>900W34S</b>	<b>73.90</b>
1"	¾" bent	<b>900W34B</b>	<b>73.90</b>
¾"	¾" straight	<b>900S34<sup>2</sup></b>	<b>77.00</b>
¾"	¾" bent	<b>900B34<sup>2</sup></b>	<b>77.00</b>

<sup>1</sup> nozzle body only (no spout)

<sup>2</sup> ¾" nozzle inlet uses 1" x ¾" reducer bushing, supplied



### replacement spouts

Description	Part #	Price/E	Description	Part #	Price/E
¾" replacement straight spout	<b>234-80-4</b>	<b>\$11.30</b>	1" replacement straight spout	<b>875-4</b>	<b>\$11.50</b>
¾" replacement bent spout	<b>234-80-5</b>	<b>17.10</b>	1" replacement bent spout	<b>875-5</b>	<b>12.20</b>

## Pressure Nozzle for Bulk Delivery

- manual operation (non-automatic) for high pressures and fuel flow up to **80 GPM**
- easy opening dash pot design with shock-less closing
- detachable trigger ratchet, packing gland and seal
- aluminum construction with bronze trigger
- available with or without aluminum spout

### pressure nozzle without spout

Female NPT Inlet	Female NPT Outlet	Aluminum Part #	Price/E
1¼"	1¼"	<b>114DNS</b>	<b>\$382.75</b>
1½"	1½"	<b>112DNS</b>	<b>346.40</b>

### pressure nozzle with spout

Female NPT Inlet	Spout Outlet	Aluminum Part #	Price/E
1¼"	1¼"	<b>114D</b>	<b>\$425.50</b>
1½"	1½"	<b>112D</b>	<b>372.05</b>

Description	Aluminum Part #	Price/E
replacement spout for 114D	<b>1143A</b>	<b>\$52.25</b>
replacement spout for 112D	<b>1125A</b>	<b>56.90</b>

Replacement parts are available, contact Dixon for more information.



  
Tank  
Truck

## Overwing Aircraft Nozzles



- manual operation (non-automatic) for high pressures and fuel flow up to 80 GPM
- easy opening dash pot design with shock-less closing
- detachable trigger ratchet, packing gland and seal
- aluminum construction with bronze trigger and plastic guard pad to protect wing
- spout has cap with spring cord and a fine mesh stainless steel screen filter in the spout
- screw attachment for grounding cable (cable not supplied)

### overwing nozzle with spout

Female NPT Inlet	Spout Outlet	Aluminum Part #	Price/E
1 1/4"	1"	<b>114DAVR</b>	<b>\$722.60</b>
1 1/4"	1 1/4"	<b>114D-AV</b>	<b>722.60</b>
1 1/2"	1 1/4"	<b>114D-AV-06ASM</b>	<b>766.75</b>

Replacement parts are available, contact Dixon for more information.

## Large Capacity Low Pressure / Gravity Nozzle



- rugged utility nozzle for low pressure/gravity applications
- rapid flow due to 1 1/4" oversize design
- aluminum body, spout and trigger
- **25 PSI** maximum pressure

### gravity nozzle with spout

Female NPT Inlet	Spout Outlet	Aluminum Part #	Price/E
1 1/4"	1 1/4"	<b>1250-94</b>	<b>\$244.40</b>

Replacement parts are available, contact Dixon for more information.

## Hose Swivels

- for use with petroleum and home heating oil hose
- prevents hose twisting or kinking

### Hose Shanks



Male NPT	Shank Size	Bronze Part #	Price/E
1 1/2"	1 1/2"	<b>1565U</b>	<b>\$144.35</b>

Replacement parts are available, contact Dixon for more information.

## Heavy Duty

- male NPT x female NPT threaded connections
- heavy duty internal thrust bearing and anti-friction seal design ensures swiveling at **-40°F**
- can be lubricated without disassembly by using the optional grease fitting kit



Male NPT	Female NPT	Aluminum Part #	Price/E
1 1/4"	1 1/4"	<b>SWMF125</b>	<b>\$192.90</b>
1 1/2"	1 1/2"	<b>SWMF150</b>	<b>192.90</b>
2"	2"	<b>SWMF200</b>	<b>215.55</b>

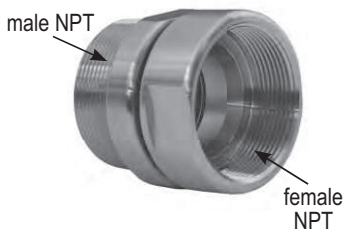
Optional grease fitting kit, SWMF-RK1

Replacement parts are available, contact Dixon for more information.

## Hose Swivels

Swivel function - allows the hose to relax to it's natural rest position while allowing freedom of movement without adding torque stress at the point of connection (torque stress is the largest single cause of composite, PTFE and stainless steel hose failure).

- simple design, low maintenance - consists of 2 body halves, ball bearings and a washer
- working pressure: **150 PSI**
- Viton® seals standard, Chemraz® and Kalrez® optional
- maximum temperature: **300°F (149°C)**



Size	316 Stainless Steel		Aluminum	
	Part #	Price/E	Part #	Price/E
3/4"	<b>HS075SS</b>	<b>\$684.45</b>	<b>HS075AL</b>	<b>\$355.50</b>
1"	<b>HS100SS</b>	<b>684.45</b>	<b>HS100AL</b>	<b>355.50</b>
1 1/2"	<b>HS150SS</b>	<b>713.60</b>	<b>HS150AL</b>	<b>370.55</b>
2"	<b>HS200SS</b>	<b>713.60</b>	<b>HS200AL</b>	<b>370.55</b>
3"	<b>HS300SS</b>	<b>1513.10</b>	<b>HS300AL</b>	<b>876.30</b>
4"	<b>HS400SS</b>	<b>2926.25</b>	<b>HS400AL</b>	<b>1695.40</b>

**Dixon Diesel and Gasoline Nozzles****FuelMaster™ Diesel Nozzle**

- Provides the high flow capacity required by many truck stops and terminal operations.
- features lightweight Tenzalloy aluminum casting
- Micro-touch valve provides smooth operation and exceptional flow control.
- super tough nylon hose guard and hold-open clip
- easy to change 'lockout style' spout assembly
- green scuff guard
- automatic shutoff
- Underwriter's Listed
- not designed for use with small 12 volt pumps, AC utility pumps, farm pumps or consumer pumps

NPT Inlet	Spout Size	Wt (lbs)	Approx. Flow Rate at 20 PSI (GPM)	Part #	Price/E
1"	1-3/16"	3.5	30	<b>DFN100HF</b>	<b>\$212.50</b>
1"	1-3/16"	3.6	45	<b>DFN100SF</b>	<b>295.50</b>

**Big Mouth™ Diesel Nozzle**

- Micro-touch valve allows precise flow control
- Roto-matic latch pin provides positive auto shut-off
- pure Teflon® packing eliminates stem leaks
- Super tough nylon hold-open clip and hand guard bend, but won't break.
- Snap-on handle cover makes changing scuff guards easy.
- yellow scuff guard
- automatic shutoff
- Underwriter's Listed
- not designed for use with small 12 volt pumps, AC utility pumps, farm pumps or consumer pumps

NPT Inlet	Spout Size	Wt (lbs)	Approx. Flow Rate at 20 PSI (GPM)	Part #	Price/E
1"	1-1/8"	3	20	<b>DFN100</b>	<b>\$164.30</b>

**Farm and Consumer Nozzles**

- Automatic fuel nozzle designed for use with small 12 volt and AC utility pumps as well as large farm and consumer pumps.
- Heavy duty, stronger and more secure hook makes it easy to hang the nozzle on the pump.
- *These nozzles are not to be used with gravity flow tanks.*
- black scuff guard on gasoline nozzle, green scuff guard on diesel nozzle
- Underwriter's Listed

NPT Inlet	Spout Size	Wt (lbs)	Approximate Flow Rate at 20 PSI (GPM)	Part #	Price/E
3/4"	13/16"	2½	14	<b>DN7UOBF</b> <sup>1</sup>	<b>\$120.80</b>
3/4"	15/16"	2½	14	<b>DN7LOBF</b> <sup>2</sup>	<b>120.80</b>

<sup>1</sup> gasoline nozzle<sup>2</sup> diesel nozzle

gasoline nozzle shown

**Fuel Nozzle Cross Reference**

Dixon	M. Carder	OPW	Emco	Husky	Catlow
DN7UOBF	N7UOBF	11AF-40FS	A2501F	XSF-33704	NENLF
DN7LOBF	N7LOBF	11APF-40FS	A2501LF	---	NELF
DFN100HF	N4-Fuelmaster	7H	A6000	V111-173310	MAX1
DFN100	N3-BigMouth	N/A	N/A	1HS.026810	MAC-1AH

**New  
for 2012****Dixon High Flow Fuel Nozzle****Fueler 100™ Nozzle**

- high flow, heavy duty automatic nozzle for fueling trucks, buses, off-road equipment and fuel oil delivery
- lightweight Tenzaloy aluminum casting
- machined grooves in the spout are designed to hold nozzle more securely in the fill pipe

NPT Inlet	Spout Size	Wt (lbs)	Approximate Flow Rate at 20 PSI (GPM)	Part #	Price/E
1½"	1-3/8"	6.9	50	<b>DNOG6</b>	<b>\$722.75</b>

**Dixon Diesel and Gasoline Nozzles Accessories****Single Plane Hose Swivels**

- aluminum body
- Brass hex nut prevents galling in the nozzle.
- Viton® / Buna seals
- nylon cord retainer

Size	Part #	Price/E
¾" x ¾"	<b>DAWS34</b>	<b>\$44.00</b>
1" x 1"	<b>DAWS10</b>	<b>67.60</b>

**Breakaways**

- aluminum body
- brass break rings (2)
- Buna seals
- unique ball valves seal both ends when separated
- design provides consistent and reliable performance
- lightweight
- easy to repair

Size	Part #	Separation Force (Lbs)	Price/E
¾"	<b>DAB34</b>	325	<b>\$65.95</b>
1"	<b>DAB1</b>	325	<b>139.00</b>



- nickel plated aluminum body
- brass break rings: 4 in 1¼" and 1½"; 6 in the 2"
- Viton® / Buna seals
- check valve - Teflon® ball seals both ends when separated
- Provides protection for all the high capacity fueling operations such as truck and bus terminals, mining, off-road fueling and fuel oil delivery.

Size	Part #	Separation Force (Lbs)	Price/E
1¼"	<b>DAB14</b>	400	<b>\$884.00</b>
1½"	<b>DAB15</b>	400	<b>884.00</b>
2"	<b>DAB2</b>	600	<b>1796.40</b>

## Full Flow Ball Valves

- high flow rate; low pressure drop
- wetted parts are aluminum and stainless steel
- seals are FPM (Viton® and PTFE Teflon®)
- spindle can be disassembled even when ball valve is installed
- working pressure: **150 PSI** at 70°F
- available in 2", 3" and 4" in standard flow and two-way flow
- standard valve ports - female NPT, socket weld for Schedule 40 pipe and grooved
- optional ports include DN flange, butt weld and 150# flange
- two ports - one inlet and one outlet

### One-Way Ball Valves / Female NPT Ends

Size	Aluminum	
	Part #	Price/E
2"	<b>1WAYBV200</b>	<b>\$743.75</b>
3"	<b>1WAYBV300</b>	<b>1005.00</b>
4"	<b>1WAYBV400</b>	<b>1484.00</b>



### One-Way Ball Valves / Socket Weld Ends to Schedule 40 Pipe

Size	Bore	Aluminum	
		Part #	Price/E
2"	2.390"	<b>1WAYBV200SW</b>	<b>\$816.50</b>
3"	3.530"	<b>1WAYBV300SW</b>	<b>1085.75</b>



### One-Way Ball Valves / Grooved Ends

Size	Aluminum	
	Part #	Price/E
2"	<b>1WAYBV200VIC</b>	<b>\$1005.00</b>
3"	<b>1WAYBV300VIC</b>	<b>1328.60</b>





## Full Flow Ball Valves

- high flow rate; low pressure drop
- wetted parts are aluminum and stainless steel
- seals are FPM (Viton® and PTFE Teflon®)
- spindle can be disassembled even when ball valve is installed
- working pressure: **150 PSI** at 70°F
- available in 2", 3" and 4" in standard flow and two-way flow
- standard valve ports - female NPT, socket weld for Schedule 40 pipe and grooved
- optional ports include DN flange, butt weld and 150# flange
- three ports - one inlet and two outlets, valve directs the flow from the inlet to either of the two outlets
- commonly used for switching compartments or tanks

### Two-Way Ball Valves / Female NPT Ends



Size	Aluminum	
	Part #	Price/E
2"	<b>2WAYBV200</b>	<b>\$1070.00</b>
3"	<b>2WAYBV300</b>	<b>1357.00</b>
4"	<b>2WAYBV400</b>	<b>2946.00</b>

### Two-Way Ball Valves / Socket Weld Ends to Schedule 40 Pipe



Size	Bore	Aluminum	
		Part #	Price/E
2"	2.390"	<b>2WAYBV200SW</b>	<b>\$1140.00</b>
3"	3.530"	<b>2WAYBV300SW</b>	<b>1464.25</b>

### Two-Way Ball Valves / Grooved Ends



Size	Aluminum	
	Part #	Price/E
2"	<b>2WAYBV200VIC3</b>	<b>\$1490.00</b>
3"	<b>2WAYBV300VIC3</b>	<b>1875.25</b>

## Automatic Pressure / Vacuum Relief Caps

- normally closed, stops fuel evaporation and airborne contaminants
- lockable
- relieves both pressure and vacuum buildup in fuel tanks
- two styles available, choose for stationary or mobile fuel storage tanks as listed below

Note: Pressure/vacuum relief caps should be routinely inspected to ensure correct operation and particularly to ensure that the relieving components are free to move and that the air flow path is unblocked.

**SAFETY**  
ALERT

### For stationary fuel tanks

- relieves vacuum at .7 Hg (.33 PSI) and pressure at 2 PSI, 20 SCFM flow

Male NPT	Zinc	
	Part #	Price/E
2"	<b>2000L</b>	<b>\$43.20</b>
2½"	<b>2500L</b>	<b>45.45</b>



### For mobile fuel tanks

- relieves vacuum relief at 1" Hg (.5 psig), and pressure at between 7.5 and 9 psig

Male NPT	Zinc	
	Part #	Price/E
2"	<b>200-PV-9</b>	<b>\$94.10</b>



## Standard Vent Cap

- aluminum body
- allows venting of tank to atmosphere at all times
- does not have pressure or vacuum valves

Male NPT	Aluminum	
	Part #	Price/E
2½"	<b>2500SFV</b>	<b>\$40.65</b>



## Cam and Groove Actuator Style Fittings

The D2C style couplers work with the DBA adapters for applications where automatic closure for the coupler is not desired. This coupler is suited to vapor recovery, suction pump line and applications where it is necessary to easily drain the hose or piping for clean out. It can also be used when product retention in hose or pipe is desired and damage from accidental spill from open coupler is not a concern.

- 316 stainless steel body
- 304 stainless steel internal components
- EZ Boss-Lock cam arms
- stainless steel locking lever included
- available with Buna, Viton®, Viton-B®, EPDM, Kalrez®, Teflon® Encapsulated Silicone and Teflon® Encapsulated Viton® seals
- used with popped adapter DBA series on page 75

Size	Seal Material	Stainless Steel	
		Part #	Price/E
1½"	Buna	<b>D2C71-150</b>	<b>\$1000.80</b>
		<b>D2C71-200</b>	<b>1102.00</b>
2"	Viton®	<b>D2C72-150</b>	<b>1020.75</b>
		<b>D2C72-200</b>	<b>1123.20</b>
1½"	Teflon® Encapsulated Silicone	<b>D2C73-150</b>	<b>1235.65</b>
		<b>D2C73-200</b>	<b>1308.10</b>
2"	EPDM	<b>D2C74-150</b>	<b>1000.80</b>
		<b>D2C74-200</b>	<b>1102.00</b>
1½"	Teflon® Encapsulated Viton®	<b>D2C77-150</b>	<b>1235.65</b>
		<b>D2C77-200</b>	<b>1308.10</b>
2"	Viton-B®	<b>D2C79-150</b>	<b>1070.75</b>
		<b>D2C79-200</b>	<b>1179.20</b>



Q  
Tank  
Truck

Replacement parts are available, contact Dixon for more information.