

PARTS LIST FOR

HYDRAULIC POWER UNITS
(01-02-03)
AND

PRESSURE-MATIC VALVE
(06-300)

NOTE: ALWAYS INDICATE PART NUMBER WHEN ORDERING PARTS.

ALWAYS INDICATE THE SERIAL NUMBER OF THE CYLINDER OR PUMP WHEN ORDERING PARTS OR CORRESPONDING.

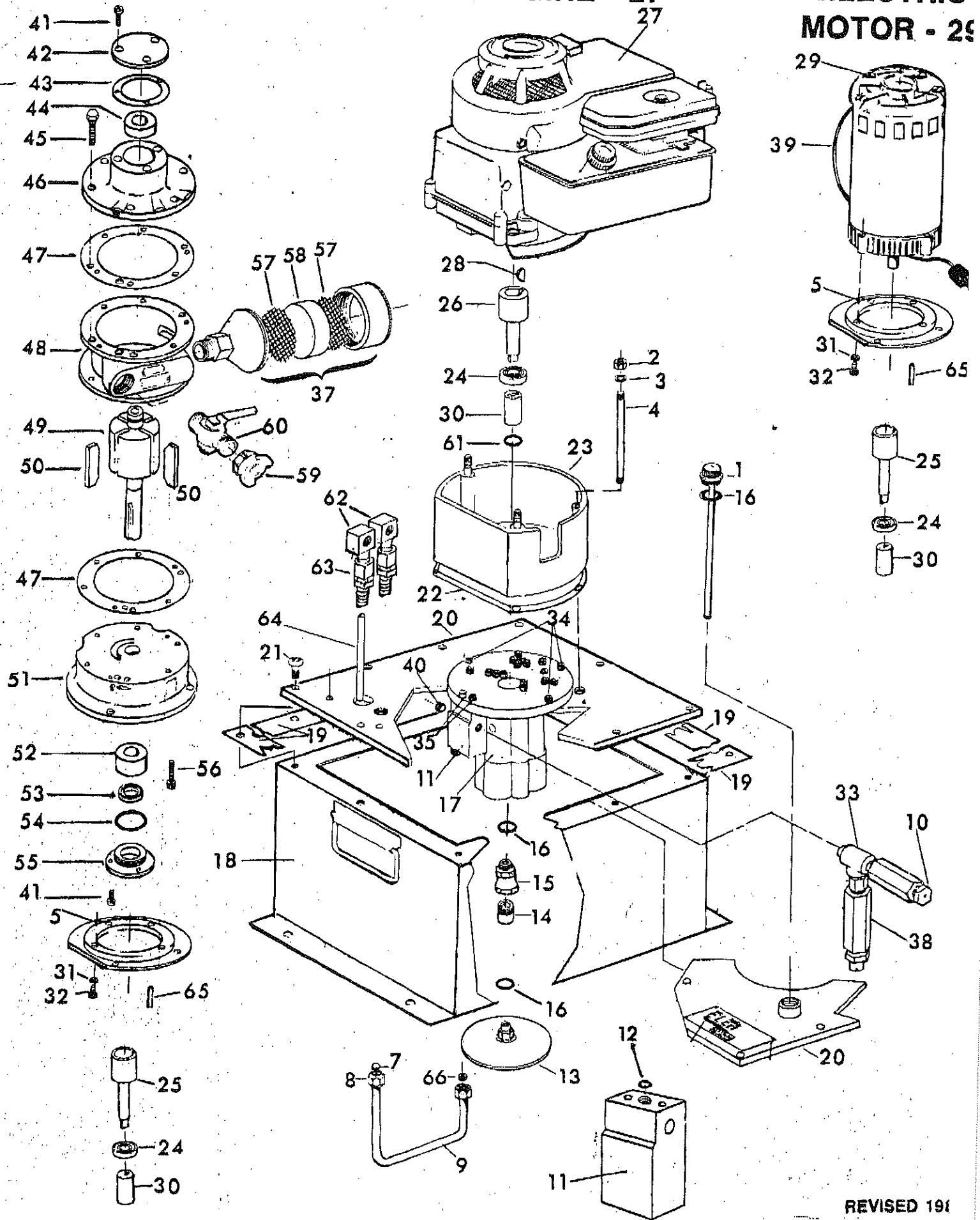
SEE CURRENT PRICE LIST FOR PRICES AND SHIPPING WEIGHTS.

AIR MOTOR - 36

GAS ENGINE - 27

ELECTRIC MOTOR - 29

Crowder Supply Co., Inc. • 8495 Roslyn St., Commerce City, CO 80022 • Toll Free: 888-883-5144 • www.CrowderSupply.com



* incl. in #600 Air Motor

PARTS FOR HYDRAULIC POWER UNITS

Item	Part No.	DESCRIPTION	No. Req.
1	501	Dip Stick	1
2	504	Nut	3
3	505	Lock Washer	3
4	508	Stud	3
5	507	Flange Adapter A/M or E/M	1
7	512	Sleeve (Rim)	2
8	513	Nut	2
9	514	Oil Line	1
10	515	Relief Valve 10,000 PSI	1
11	516	Check Block	1
12	516A	O-Ring	1
13	517B	Filter Assembly	1
14	518	Filter Extension	1
15	519	Adapter	1
16	520	O-Ring	1
17	521	Basic Pump	1
18	522	Reservoir 5 U.S. Gallons	1
19	523	Gasket, 4 piece	1
20	524	Cover Plate	1
21	545	Screw	10
22	546	Gasket	1
23	547	Adapter	1
24	548	Bearing	1
25	550AE	Shaft Adapter, 3/8", Air & Electric	1
25	550G	Shaft Adapter, 7/8", Gas Engine	1
27	660	Gas Engine, 3.5 Hp. B/S	1
28	662	Woodruff Key	1
29	680	Electric Motor, 1 1/2 Hp., 110/220V	1
30	551	Drive Coupler	1
31	303	Lock Washer	2

Castings Items #46, 48 and 51 are NOT AVAILABLE. Must purchase whole new Air Motor.

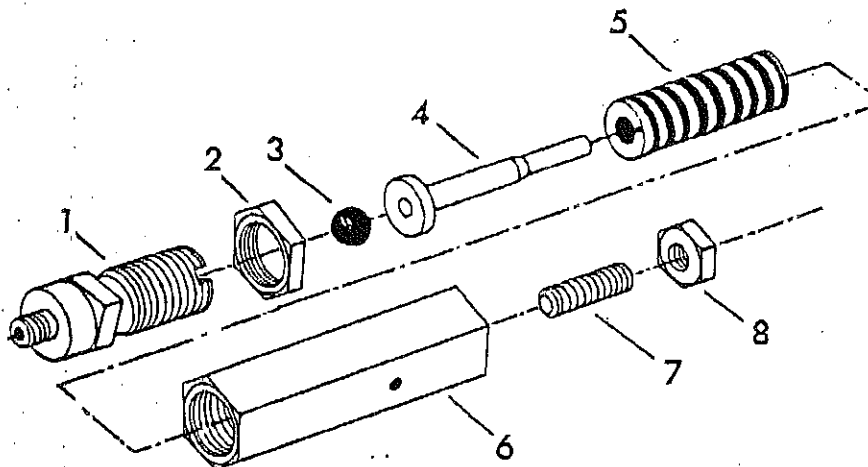
*An Air Motor Repair Kit can be ordered by indicating Part No. 07-9. Kit consists of part numbers 604 (4), 607 (1), 608 (1), 611 (1), 613 (2), 615 (1), 617 (1), 620 (1). (State Model No.) Parts shown on drawings.

**See Item 38 on Back Page

Item	Part No.	DESCRIPTION	No. Req.
32	703	Head Hex Cap Screw	4
33	744	Tee	1
34	708A	Socket Head Screw	3
35	708B	Socket Head Cap Screw	2
36	600	Air Motor, 3 Hp. Complete	1
37	619	Muffler Assembly	1
38	08-300	Pressure-Matic Valve Assembly**	1
39	683	Cord, 9 Feet, for E/M	1
40	552	Plug	1
41	601	Phillips Head Cap Screw	X 3
42	602	Dead End Bearing Cover	X 1
43	617	End Cap Gasket*	X 1
44	608	Dead End Bearing*	X 1
45	603	Hex Head Cap Screw	A 6
46	---	Dead End Casting-NOT AVAILABLE	A -
47	613	Body Gasket*	X 2
48	---	Body Casting-NOT AVAILABLE	A -
49	616	Rotor Assembly	A 1
50	604	Vane*	X 4
51	---	Drive End Casting-NOT AVAILABLE	A -
52	607	Drive End Bearing*	X 1
53	611	Seal (Shaft)*	A 1
54	615	O-Ring*	X 1
55	629	Drive End Bearing Cover	A 1
56	624	Socket Head Cap Screw	X 6
57	621	Screen	A 2
58	620	Felt Disk*	X 1
59	422	Air Coupler, 3/4"	1
60	419	Air Valve, 3/4" with Restrictor	1
61	558	O-Ring	1
62	559	Street Elbow	2
63	560	Bulkhead Connection	2
64	561	Drain Line	1
65	739	Key	1
66	---	Sleeve & Nut included with Part #560	--

PARTS LIST
PRESSURE-MATIC VALVE
06-300

The 06-300 pressure-matic valve is factory set to operate the hydraulic cylinder at 7100 PSI. Do not adjust to any higher setting than 7100 PSI.



Item No.	Part No.	Description	No Req.
1	0660	Valve Seat.....	1
2	0667	Housing Lock Nut	1
3	0661	Ball.....	1
4	0666	Valve Stem.....	1
5	0662	Spring	1
6	0665	Valve Housing	1
7	0663	Set Screw.....	1
8	0664	Lock Nut	1

PRESSURE ADJUSTMENT PROCEDURE
#06-300 PRESSURE-MATIC VALVE

(Refer to exploded view)

- 1) Remove reservoir cover plate screws and tip cover plate so you have access to the valve.
- 2) Loosen Housing Lock Nut (#2). Turn Valve Housing (#6) clockwise to increase pressure and counterclockwise to decrease pressure.
- 3) Loosen Lock Nut (#8). Turn Set Screw (#7) until it touches the end of Valve Stem (#4). Back off Set Screw (#7) ~~1/8 turn~~ *1/8 turn*.
- 4) Tighten Lock Nuts (#2) and (#8)
- 5) Recheck pressure and install cover plate.