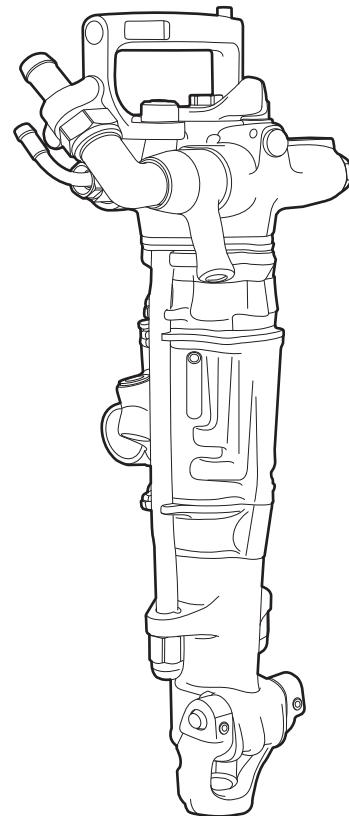


## Safety and operating instructions

### Pusher leg rockdrills

- (FR)** Prescriptions de sécurité et instructions pour l'opérateur  
Poussoirs de perforateur
- (DE)** Sicherheits- und Betriebsanleitung  
Stützenbohrhämme
- (ES)** Instrucciones de seguridad y de funcionamiento  
Perforadoras de empujador
- (PT)** Instruções de segurança e operação  
Coluna telescópica para perfuradores de rocha
- (IT)** Istruzioni per la sicurezza e per l'uso  
Perforatrici con servosostegno
- (SE)** Säkerhetsinstruktion och instruktionsbok  
Bergbormaskiner (anpassade för matarben)





# Contents

ENGLISH.....	4
FRANÇAIS.....	28
DEUTSCH.....	54
ESPAÑOL.....	80
PORTUGUÊS.....	106
ITALIANO.....	132
SVENSKA.....	158

## ENGLISH

**Contents**

Introduction.....	7
About the Safety and operating instructions.....	7
<b>Safety instructions.....</b>	<b>8</b>
<b>Safety signal words.....</b>	<b>8</b>
<b>Personal precautions and qualifications.....</b>	<b>8</b>
Personal protective equipment.....	8
Drugs, alcohol or medication.....	8
<b>Installation, precautions.....</b>	<b>8</b>
<b>Operation, precautions.....</b>	<b>9</b>
<b>Maintenance, precautions.....</b>	<b>12</b>
<b>Storage, precautions.....</b>	<b>12</b>
<b>Overview.....</b>	<b>13</b>
<b>Design and function.....</b>	<b>13</b>
Working principle of a rock drill.....	13
Control valve mechanism.....	13
Rotation mechanism.....	13
Flushing.....	13
<b>Main parts.....</b>	<b>14</b>
<b>Labels.....</b>	<b>14</b>
Data plate.....	14
Safety label.....	14
<b>Installation.....</b>	<b>14</b>
<b>Unpacking the rock drill.....</b>	<b>14</b>
Plastic guards.....	14
Lubricate.....	14
<b>Hoses and connections.....</b>	<b>15</b>
<b>Methods to prevent freezing.....</b>	<b>15</b>
<b>Connecting a water separator.....</b>	<b>15</b>
<b>Lubrication.....</b>	<b>15</b>
<b>Pressure adjustment.....</b>	<b>16</b>
Air pressure.....	16
Calibrate the correct air pressure.....	16
Water pressure.....	16
<b>Drill steel.....</b>	<b>16</b>
Before fitting the insertion tool.....	16
Fitting the drill steel.....	16
Removing the drill steel.....	17
<b>Operation.....</b>	<b>17</b>
<b>Preparations before starting.....</b>	<b>18</b>
Check the drilling equipment.....	18
Blow out the air hose.....	18
Fill the lubricator with oil.....	18
Attaching the pusher leg to the rock drill.....	18
<b>Controls.....</b>	<b>18</b>
Throttle lever.....	18
Feed control lever.....	18
Valve pin.....	19
<b>Start and stop.....</b>	<b>19</b>
Starting the rock drill.....	19
Stopping the rock drill.....	19
<b>Operating.....</b>	<b>19</b>

Drilling.....	19
Re-positioning the pusher leg.....	20
Blow-cleaning the drill hole.....	20
<b>When taking a break.....</b>	<b>20</b>
<b>Maintenance.....</b>	<b>20</b>
<b>Differences between original parts and pattern parts.....</b>	<b>20</b>
<b>Every day.....</b>	<b>21</b>
<b>Checking for wear.....</b>	<b>21</b>
<b>Periodic maintenance.....</b>	<b>22</b>
<b>Damage patterns.....</b>	<b>22</b>
<b>Storage.....</b>	<b>22</b>
<b>Disposal.....</b>	<b>22</b>
<b>Technical data.....</b>	<b>23</b>
<b>Troubleshooting.....</b>	<b>23</b>
<b>Machine data.....</b>	<b>24</b>
<b>Noise and vibration declaration statement.....</b>	<b>24</b>
<b>Noise and vibration data.....</b>	<b>25</b>
<b>Accessories.....</b>	<b>25</b>
<b>Pusher legs.....</b>	<b>25</b>
<b>EC Declaration of Conformity.....</b>	<b>26</b>
<b>EC Declaration of Conformity (EC Directive 2006/42/EC).....</b>	<b>26</b>



## Introduction

Thank you for choosing a product from Atlas Copco. Since 1873, we have been committed to finding new and better ways of fulfilling our customers' needs. Through the years, we have developed innovative and ergonomic product designs that have helped customers improve and rationalize their daily work.

Atlas Copco has a strong global sales and service network, consisting of customer centers and distributors worldwide. Our experts are highly trained professionals with extensive product knowledge and application experience. In all corners of the world, we can offer product support and expertise to ensure that our customers can work at maximum efficiency at all times.

For more information please visit: [www.atlascopco.com](http://www.atlascopco.com)

Atlas Copco Construction Tools AB  
105 23 Stockholm  
Sweden

## About the Safety and operating instructions

The aim of the instructions is to provide you with knowledge of how to use the rock drill in an efficient, safe way. The instructions also give you advice and tell you how to perform regular maintenance on the rock drill.

Before using the rock drill for the first time you must read these instructions carefully and understand all of them.

## Safety instructions

To reduce the risk of serious injury or death to yourself or others, read and understand the Safety and operating instruction before installing, operating, repairing, maintaining, or changing accessories on the machine.

Post this Safety and operating instruction at work locations, provide copies to employees, and make sure that everyone reads the Safety and operating instruction before operating or servicing the machine.

In addition, the operator or the operator's employer must assess the specific risks that may be present as a result of each use of the machine.

## Safety signal words

The safety signal words Danger, Warning and Caution have the following meanings:

<b>DANGER</b>	Indicates a hazardous situation which, if not avoided, will result in death or serious injury.
<b>WARNING</b>	Indicates a hazardous situation which, if not avoided, could result in death or serious injury.
<b>CAUTION</b>	Indicates a hazardous situation which, if not avoided, could result in minor or moderate injury.

## Personal precautions and qualifications

Only qualified and trained persons may operate or maintain the machine. They must be physically able to handle the bulk, weight, and power of the tool. Always use your common sense and good judgement.

### Personal protective equipment

Always use approved protective equipment. Operators and all other persons in the working area must wear protective equipment, including at a minimum:

- Protective helmet
- Hearing protection
- Impact resistant eye protection with side protection
- Respiratory protection when appropriate
- Protective gloves
- Proper protective boots
- Appropriate work overall or similar clothing (not loose-fitting) that covers your arms and legs.

### Drugs, alcohol or medication

#### ▲ **WARNING** Drugs, alcohol or medication

Drugs, alcohol or medication may impair your judgment and powers of concentration. Poor reactions and incorrect assessments can lead to severe accidents or death.

- ▶ Never use the machine when you are tired or under the influence of drugs, alcohol or medication.
- ▶ No person who is under the influence of drugs, alcohol or medication may operate the machine.

## Installation, precautions

#### ▲ **DANGER** Whipping air hose

A compressed air hose that comes loose can lash around and cause personal injury or death. To reduce this risk:

- ▶ Check that the compressed air hose and the connections are not damaged, replace if necessary.
- ▶ Check that all compressed air connections are properly attached.
- ▶ Never carry a pneumatic machine by the air hose.
- ▶ Never attempt to disconnect a compressed air hose that is pressurized. First switch off the compressed air at the compressor and then bleed the machine by activating the start and stop device.
- ▶ Never point a compressed air hose at yourself or anyone else. To avoid the risk of getting injured, never use compressed air to blow for example dust, dirt etc. from your clothes.
- ▶ Do not use quick disconnect couplings at tool inlet. Use hardened steel (or material with comparable shock resistance) threaded hose fittings.
- ▶ Whenever universal twist couplings (claw couplings) are used, we recommend that lock pins are installed and whipcheck safety cables are used to safeguard against possible hose to tool and hose to hose connection failure.

#### ▲ **WARNING** Ejected insertion tool

If the tool retainer on the machine is not in a locked position, the inserted tool can be ejected with force, which can cause personal injury.



- ▶ Never start the machine while changing the insertion tool.
- ▶ Before changing the insertion tool or accessories, stop the machine, switch off the power supply and bleed the machine by activating the start and stop device.
- ▶ Never point the inserted tool at yourself or anyone else.
- ▶ Make sure that the insertion tool is fully inserted and the tool retainer is in a locked position before the machine is started.
- ▶ Check the locking function by pulling the inserted tool outwards forcefully.

#### **▲ WARNING Moving or slipping insertion tool**

An incorrect dimension of the inserted tool's shank can result in that the inserted tool is lost or is slipping out during operation. Risk of severe injury or crushed hands and fingers.

- ▶ Check that the insertion tool has the shank length and dimensions that the machine is intended for.
- ▶ Never use an insertion tool without a collar.

## Operation, precautions

#### **▲ DANGER Explosion hazard**

If a warm insertion tool comes into contact with explosives, an explosion could occur. During operation with certain materials as well as use of certain materials in machine parts, sparks and ignition can occur. Explosions will lead to severe injuries or death.

- ▶ Never operate the machine in any explosive environment.
- ▶ Never use the machine near flammable materials, fumes or dust.
- ▶ Make sure that there are no undetected sources of gas or explosives.
- ▶ Never drill in an old hole.

#### **▲ WARNING Unexpected movements**

The inserted tool is exposed to heavy strains when the machine is used. The inserted tool may break due to fatigue after a certain amount of use. If the inserted tool breaks or gets stuck, there may be sudden and unexpected movement that can cause injuries. Furthermore, losing your balance or slipping may cause injury.

- ▶ Make sure that you always keep a stable position with your feet as far apart as your shoulder width, and keeping a balanced body weight.
- ▶ Always inspect the equipment prior to use. Never use the equipment if you suspect that it is damaged.
- ▶ Make sure that the handles are clean and free of grease and oil.
- ▶ Keep your feet away from the inserted tool.
- ▶ Stand firmly and always hold on to the machine with both hands.
- ▶ Never drill in an old hole.
- ▶ Never start the machine when it is lying on the ground.
- ▶ Never 'ride' on the machine with one leg over the handle.
- ▶ Never strike or abuse the equipment.
- ▶ Check regularly for wear on the insertion tool, and check whether there are any signs of damage or visible cracks.
- ▶ Pay attention and look at what you are doing.

#### **▲ WARNING Stalling hazard**

If the insertion tool gets caught during operation, the whole machine will start to rotate if you lose your grip on it. This unexpected rotation of the entire machine may cause serious injury or death.

- ▶ Stand firmly and always hold onto the machine with both hands.
- ▶ Make sure that the handle or handles are clean and free from grease and oil.
- ▶ Never drill in an old hole.

#### **▲ WARNING Trapping hazard**

There is risk of neck ware, hair, gloves and clothes getting dragged into or caught by a rotating insertion tool or accessories. This may cause choking, scalping, lacerations or death. To reduce the risk:

- ▶ Never grab or touch a rotating drill steel.
- ▶ Avoid wearing clothing, neck ware or gloves that may get caught.
- ▶ Cover long hair with a hair net.

**▲ WARNING Dust and fume hazard**

Dusts and/or fumes generated or dispersed when using the machine may cause serious and permanent respiratory disease, illness, or other bodily injury (for example, silicosis or other irreversible lung disease that can be fatal, cancer, birth defects, and/or skin inflammation).

Some dusts and fumes created by drilling, breaking, hammering, sawing, grinding and other construction activities contain substances known to the State of California and other authorities to cause respiratory disease, cancer, birth defects, or other reproductive harm. Some examples of such substances are:

- Crystalline silica, cement, and other masonry products.
- Arsenic and chromium from chemically-treated rubber.
- Lead from lead-based paints.

Dust and fumes in the air can be invisible to the naked eye, so do not rely on eye sight to determine if there is dust or fumes in the air.

To reduce the risk of exposure to dust and fumes, do all of the following:

- ▶ Perform site-specific risk assessment. The risk assessment should include dust and fumes created by the use of the machine and the potential for disturbing existing dust.
- ▶ Use proper engineering controls to minimize the amount of dust and fumes in the air and to minimize build-up on equipment, surfaces, clothing, and body parts. Examples of controls include: exhaust ventilation and dust collection systems, water sprays, and wet drilling. Control dusts and fumes at the source where possible. Make sure that controls are properly installed, maintained and correctly used.
- ▶ Wear, maintain and correctly use respiratory protection as instructed by your employer and as required by occupational health and safety regulations. The respiratory protection must be effective for the type of substance at issue (and if applicable, approved by relevant governmental authority).
- ▶ Work in a well ventilated area.
- ▶ If the machine has an exhaust, direct the exhaust so as to reduce disturbance of dust in a dust filled environment.
- ▶ Operate and maintain the machine as recommended in the operating and safety instructions

- ▶ Select, maintain and replace consumables/ inserted tools/ other accessory as recommended in the operating and safety instructions. Incorrect selection or lack of maintenance of consumables/ inserted tools/ other accessories may cause an unnecessary increase in dust or fumes.
- ▶ Wear washable or disposable protective clothes at the worksite, and shower and change into clean clothes before leaving the worksite to reduce exposure of dust and fumes to yourself, other persons, cars, homes, and other areas.
- ▶ Avoid eating, drinking, and using tobacco products in areas where there is dust or fumes.
- ▶ Wash your hands and face thoroughly as soon as possible upon leaving the exposure area, and always before eating, drinking, using tobacco products, or making contact with other persons.
- ▶ Comply with all applicable laws and regulations, including occupational health and safety regulations.
- ▶ Participate in air monitoring, medical examination programs, and health and safety training programs provided by your employer or trade organizations and in accordance with occupational health and safety regulations and recommendations. Consult with physicians experienced with relevant occupational medicine.
- ▶ Work with your employer and trade organization to reduce dust and fume exposure at the worksite and to reduce the risks. Effective health and safety programs, policies and procedures for protecting workers and others against harmful exposure to dust and fumes should be established and implemented based on advice from health and safety experts. Consult with experts.

**▲ WARNING Projectiles**

Failure of the work piece, of accessories, or even of the machine itself may generate high velocity projectiles. During operating, splinters or other particles from the working material may become projectiles and cause personal injury by striking the operator or other persons. To reduce these risk:

- ▶ Use approved personal protective equipment and safety helmet, including impact resistant eye protection with side protection.
- ▶ Make sure that no unauthorised persons trespass into the working zone.
- ▶ Keep the workplace free from foreign objects.
- ▶ Ensure that the work piece is securely fixed.

**▲ WARNING Splinters hazard**

Using the insertion tool as a hand struck tool can result in splinters hitting the operator and can cause personal injury.

- ▶ Never use a insertion tool as a hand struck tool. They are specifically designed and heat-treated to be used only in a machine.

**▲ WARNING Slipping, tripping and falling hazards**

There is a risk of slipping or tripping or falling, for example tripping on the hoses or on other objects. Slipping or tripping or falling can cause injury. To reduce this risk:

- ▶ Always make sure that no hose or other object is in your way or in any other person's way.
- ▶ Always make sure you are in a stable position with your feet as far apart as your shoulders width and keeping a balanced body weight.

**▲ WARNING Motion hazards**

When using the machine to perform work-related activities, you may experience discomfort in the hands, arms, shoulders, neck, or other parts of the body.

- ▶ Adopt a comfortable posture whilst maintaining secure footing and avoiding awkward off-balanced postures.
- ▶ Changing posture during extended tasks may help avoid discomfort and fatigue.
- ▶ In case of persistent or recurring symptoms, consult a qualified health professional.

**▲ WARNING Vibration hazards**

Normal and proper use of the machine exposes the operator to vibration. Regular and frequent exposure to vibration may cause, contribute to, or aggravate injury or disorders to the operator's fingers, hands, wrists, arms, shoulders and/or nerves and blood supply or other body parts, including debilitating and/or permanent injuries or disorders that may develop gradually over periods of weeks, months, or years. Such injuries or disorders may include damage to the blood circulatory system, damage to the nervous system, damage to joints, and possibly damage to other body structures.

If numbness, persistent recurring discomfort, burning sensation, stiffness, throbbing, tingling, pain, clumsiness, weakened grip, whitening of the skin, or other symptoms occur at any time, when operating the machine or when not operating the machine, stop operating the machine, tell your employer and seek medical attention. Continued use of the machine after the occurrence of any such symptom may increase the risk of symptoms becoming more severe and/or permanent.

Operate and maintain the machine as recommended in these instructions, to prevent an unnecessary increase in vibration.

The following may help to reduce exposure to vibration for the operator:

- ▶ Let the tool do the job. Use a minimum hand grip consistent with proper control and safe operation.
- ▶ If the machine has vibration absorbing handles, keep them in a central position, avoid pressing the handles into the end stops.
- ▶ When the percussion mechanism is activated, the only body contact with the machine you should have are your hands on the handle or handles. Avoid any other contact, for example supporting any part of the body against the machine or leaning onto the machine trying to increase the feed force. It is also important not to keep the start and stop device engaged while extracting the tool from the broken work surface.
- ▶ Make sure that the inserted tool is well-maintained (including sharpness, if a cutting tool), not worn out, and of the proper size. Insertion tools that are not well-maintained, or that are worn out, or that are not of the proper size result in longer time to complete a task (and a longer period of exposure to vibration) and may result in or contribute to higher levels of vibration exposure.
- ▶ Immediately stop working if the machine suddenly starts to vibrate strongly. Before resuming the work, find and remove the cause of the increased vibrations.
- ▶ Never grab, hold or touch the inserted tool when using the machine.

- ▶ Participate in health surveillance or monitoring, medical exams and training programs offered by your employer and when required by law.
- ▶ When working in cold conditions wear warm clothing and keep hands warm and dry.

See the "Noise and vibration declaration statement" for the machine, including the declared vibration values. This information can be found at the end of these Safety and operating instructions.

- ◆ Comply with the recommended air-pressure when operating the machine. Either higher or lower air-pressure has the potential of resulting in higher levels of vibration.

#### **▲ DANGER Electrical hazard**

The machine is not electrically insulated. If the machine comes into contact with electricity, serious injuries or death may result.

- ▶ Never operate the machine near any electric wire or other source of electricity.
- ▶ Make sure that there are no concealed wires or other sources of electricity in the working area.

#### **▲ WARNING Concealed object hazard**

During operating, concealed wires and pipes constitute a danger that can result in serious injury.

- ▶ Check the composition of the material before operating.
- ▶ Watch out for concealed cables and pipes for example electricity, telephone, water, gas and sewage lines etc.
- ▶ If the inserted tool seems to have hit a concealed object, switch off the machine immediately.
- ▶ Make sure that there is no danger before continuing.

#### **▲ WARNING Involuntary start**

Involuntary start of the machine may cause injury.

- ▶ Keep your hands away from the start and stop device until you are ready to start the machine.
- ▶ Learn how the machine is switched off in the event of an emergency.
- ▶ Release the start and stop device immediately in all cases of power supply interruption.
- ▶ Whenever fitting or removing the insertion tool, switch off the air supply, bleed the machine by pressing the start and stop device and disconnect the machine from the power source.

#### **▲ WARNING Noise hazard**

High noise levels can cause permanent and disabling hearing loss and other problems such as tinnitus (ringing, buzzing, whistling, or humming in the ears). To reduce risks and prevent an unnecessary increase in noise levels:

- ▶ Risk assessment of these hazards and implementation of appropriate controls is essential.
- ▶ Operate and maintain the machine as recommended in these instructions.
- ▶ Select, maintain and replace the insertion tool as recommended in these instructions.
- ▶ If the machine has a silencer, check that it is in place and in good working condition.
- ▶ Always use hearing protection.
- ▶ Use damping material to prevent work pieces from 'ringing'.

## Maintenance, precautions

#### **▲ WARNING Machine modification**

Any machine modification may result in bodily injuries to yourself or others.

- ▶ Never modify the machine. Modified machines are not covered by warranty or product liability.
- ▶ Always use original parts, insertion tools and accessories approved by Atlas Copco.
- ▶ Change damaged parts immediately.
- ▶ Replace worn components in good time.

#### **▲ CAUTION Hot insertion tool**

The tip of the insertion tool can become hot and sharp when used. Touching it can lead to burns and cuts.

- ▶ Never touch a hot or sharp insertion tool.
- ▶ Wait until the insertion tool has cooled down before carrying out maintenance work.

#### **▲ WARNING Insertion tool hazards**

Accidental engagement of the start and stop device during maintenance or installation can cause serious injuries, when the power source is connected.

- ▶ Never inspect, clean, install, or remove the insertion tool while the power source is connected.

## Storage, precautions

- ◆ Keep the machine and tools in a safe place, out of the reach of children and locked up.

## Overview

To reduce the risk of serious injury or death to yourself or others, read the Safety instructions section found on the previous pages of this manual before operating the machine.

## Design and function

Atlas Copco BBC 16W/WS and BBC 34W/WS pusher leg rock drills are water-flushed and intended for air pressures of 4–6 bar. The pusher leg rock drills have been designed for the following operations:

BBC 16W/WS and BBC 34W/WS are used in many construction and underground mining applications. They are allround pusher leg rock drills, suitable for medium and hard rock formations. No other use is permitted.

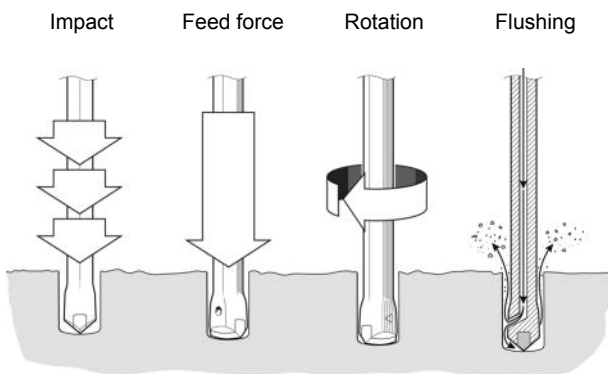
The pusher leg support helps the operator to lift and feed the rock drill during the drilling operation. The pusher leg control is located in the back head of the rock drill.

The machines are intended to be used together with pusher legs BMT 51, ALF 71, ALF 71-1, or ALF 67/80.

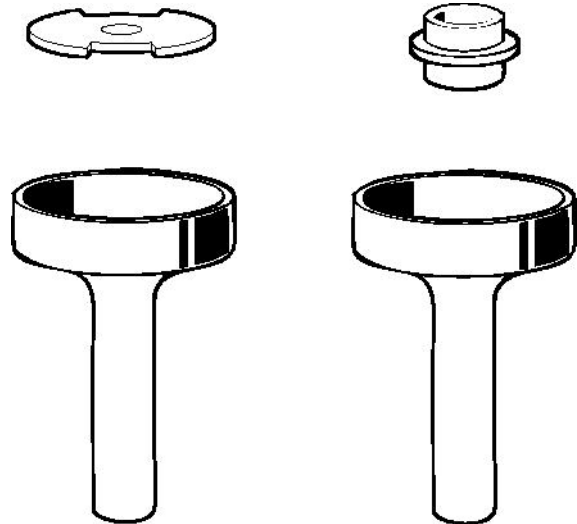
The pusher leg rock drills have water flushing and a robust rifle bar rotation mechanism. The pusher leg rock drills are equipped with a chuck bushing for a 22 mm x 108 mm, hexagon shank. The rock drills are equipped with a 25 mm (1 in.) connection for air and a 12.5 mm (½ in.) connection for water.

To choose correct insertion tools, contact your local Atlas Copco dealer.

### Working principle of a rock drill



### Control valve mechanism

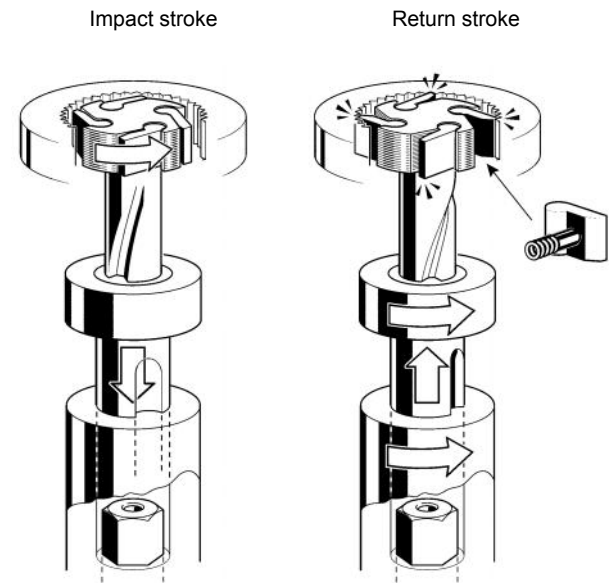


BBC 16W/WS

BBC 34W/WS

The valve directs the air alternately from one side to the other of the piston so that it moves up and down. The piston transmits the energy through the drill steel to the bottom of the hole.

### Rotation mechanism

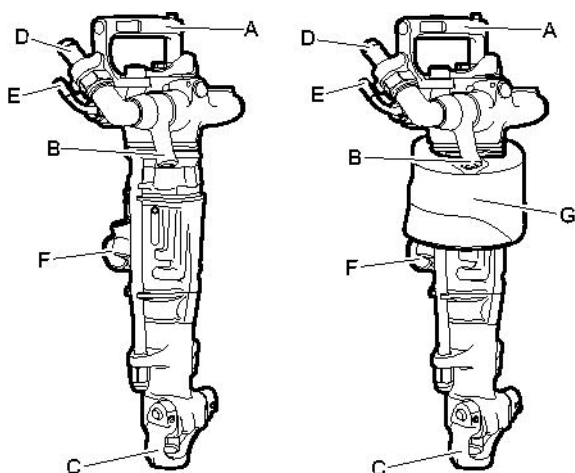


The drill steel is turned slightly with each blow by the rifle bar rotation. The rotation is anti-clockwise and is applied on the return stroke of the piston.

### Flushing

Flushing is ducted through two concentric tubes, the outer one for air and the inner one for water. This means that flushing air is provided as soon as the compressed air is switched on. The purpose is to prevent water from entering the percussion mechanism of the rock drill.

## Main parts



BBC 16W/34W

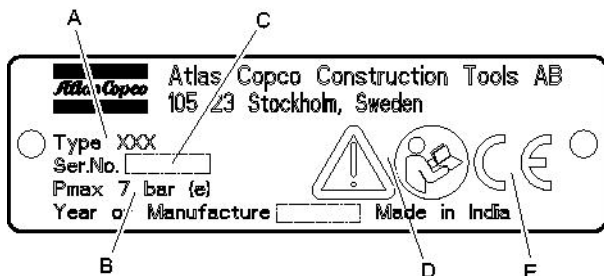
BBC 16WS/34WS

- A. Handle
- B. Throttle lever
- C. Drill steel retainer
- D. Air inlet nipple
- E. Water inlet nipple
- F. Machine attachment
- G. Silencer

## Labels

The machine is fitted with labels containing important information about personal safety and machine maintenance. The labels must be in such condition that they are easy to read. New labels can be ordered from the spare parts list.

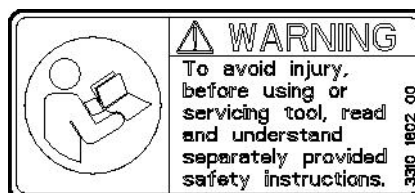
### Data plate



- A. Machine type
- B. Maximum permitted compressed air pressure
- C. Serial number

- D. The warning symbol together with the book symbol means that the user must read the safety and operating instructions before the machine is used for the first time.
- E. The CE symbol means that the machine is EC-approved. See the EC declaration which is delivered with the machine for more information. If the CE symbol is missing, it means that the machine is not EC-approved.

### Safety label



To avoid injury, before using or servicing tool, read and understand separately provided safety instructions.

## Installation

### Unpacking the rock drill

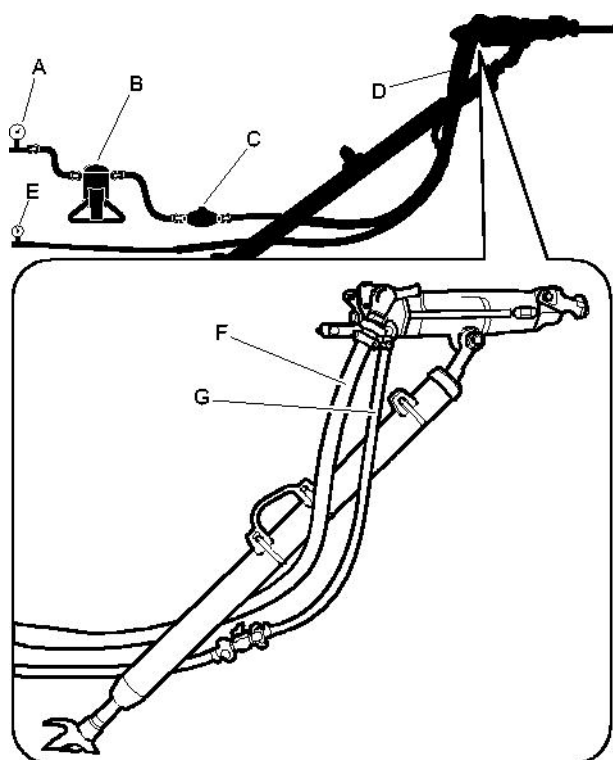
#### Plastic guards

Before the rock drill is first used remove all the plastic guards in the hose nipples, venting holes and rotation chuck.

#### Lubricate

After unpacking and installing the tool, pour a liberal amount of lubrication oil in the air connection.

## Hoses and connections



- A. Compressed air source
  - B. Water separator, VAM 5A (optional)
  - C. Lubricator, BLG 30 or CLG 30 (optional)
  - D. Maximum 3 meter compressed air hose between the lubricator and the machine.
  - E. Water
  - F. Air hose, machine
  - G. Water hose
- ◆ Check that you are using the correct recommended operating pressure, 6 bar (e).
  - ◆ The maximum permissible air pressure, 7 bar (e), must not be exceeded.
  - ◆ Blow any impurities out of the compressed air hose before connecting it to the machine.
  - ◆ Select the correct dimension and length for the compressed air hose. For hose lengths up to 30 meters, a hose with a minimum internal diameter of 25 mm (1 in.) should be used. If the hose length is between 30 and 100 meters, a hose with a minimum internal diameter of 50 mm (2 in.) should be used.

## Methods to prevent freezing

Ice formation in the silencer can occur when the ambient air temperature is 0–10°C (32–50 °F) and the relative humidity is high.

The machine is designed to avoid the formation of ice in the silencer. Despite this, under extreme conditions ice can form in the silencer.

Take the following actions to further counteract the risk of ice formation:

- ◆ Use Atlas Copco Rock Drill AIR-OIL as a lubricant.
- ◆ Use VAM 5A water separator.

If the rock drill freeze, never heat it to melt the ice. Always let the ice thaw at room temperature.

Never pour methylated spirits or similar substances into the rock drill, as they will interfere with the lubrication and lead to increased wear.

## Connecting a water separator

The length of the air hose between the compressor and the water separator must be such that the water vapor is cooled and condenses in the hose before reaching the water separator.

If the ambient temperature is below 0 °C (32 °F) the hose must be short enough to prevent the water from freezing before reaching the water separator.

## Lubrication

The rock drill is lubricated with oil mixed with compressed air, which is taken to the parts that need continuous lubrication. Oil is metered into the compressed air using an Atlas Copco BLG 30 or CLG 30 lubricator connected to the air line.

Use Atlas Copco Rock Drill AIR-OIL which is specially developed for BBC, BBD and RH pneumatic Rock drills. Rock Drill AIR-OIL is readily biodegradable according to OECD 301 and has high film strength that can withstand heavy loads. If Rock Drill AIR-OIL is not available use a mineral-based air tool oil with the properties recommended in the table below.

Temperature range (°C)	Viscosity grade (ISO 3448)
-30 to 0	ISO VG 32-68
-10 to +20	ISO VG 68-100
+10 to +50	ISO VG 100-150

## Pressure adjustment

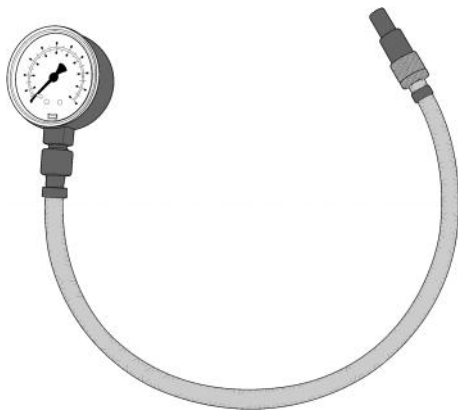
### Air pressure

Ensure that the compressor can deliver the required air pressure of 4–6 bar to the machine.

1. High pressure causes rough operation and excessive wear.
2. Low pressure results in a slow drilling speed.

### Calibrate the correct air pressure

Use the Atlas Copco (9090 0550 80) pressure gauge to check the air pressure when the rock drill is running. The pressure should be measured close to the inlet nipple. Recommended operating pressure is 6 bar.



The pressure gauge is equipped with a needle which is pressed into the hose to measure the pressure inside.

### Water pressure

The water pressure must be at least 1 bar lower than the air pressure otherwise water can enter the impact mechanism. For example if the air pressure is 6 bar, the water pressure must be below 5 bar to prevent water entering the impact mechanism.

## Drill steel

### ▲ WARNING Ejected insertion tool

If the tool retainer on the machine is not in a locked position, the inserted tool can be ejected with force, which can cause personal injury.

- ▶ Before changing the insertion tool, stop the machine, switch off the compressed air supply and bleed the machine by activating the start and stop device.

### Before fitting the insertion tool

Check that the tool shank is of the correct size and length for the chuck used. The shank must be clean and the tool must be in good condition. Shanks which are chipped, rounded, out of square or too hard on the striking end will operate inefficiently and cause premature piston failure.

Inspect the drill steel:

A dull drill steel will slow down the drilling speed and overstrain the drill mechanism. When changing drill steel make sure that the new one is the correct size to follow your previous bore.

Before drilling, check that the flushing hole in the drill steel is not blocked.

### ▲ CAUTION Hot insertion tool

The tip of the insertion tool can become hot and sharp when used. Touching it can lead to burns and cuts.

- ▶ Never touch a hot or sharp insertion tool.
- ▶ Wait until the insertion tool has cooled down before carrying out maintenance work.

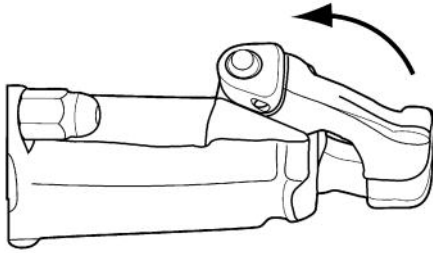
*NOTICE* Never cool a hot insertion tool in water, it can result in brittleness and early failure.

### Fitting the drill steel

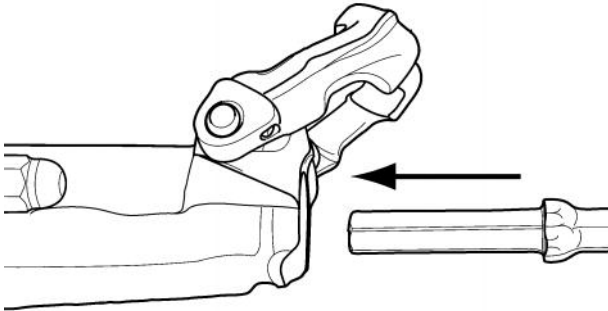
Whenever fitting the drill steel the following instructions must be observed:



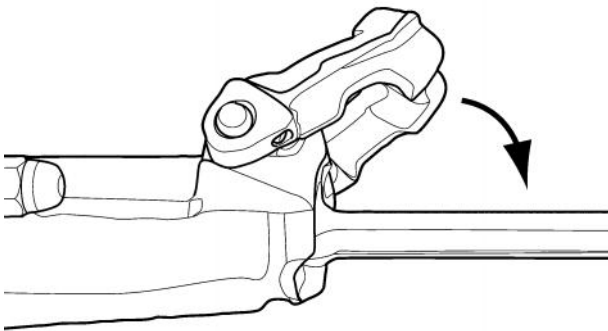
1. Push the retainer outwards in the direction of the arrow, until the front portion of the retainer is able to accommodate the drill steel collar.



2. Insert the drill steel in the chuck.



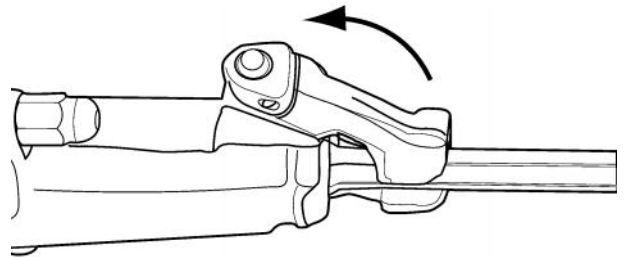
3. When the drill bottoms, push back the retainer to lock it.



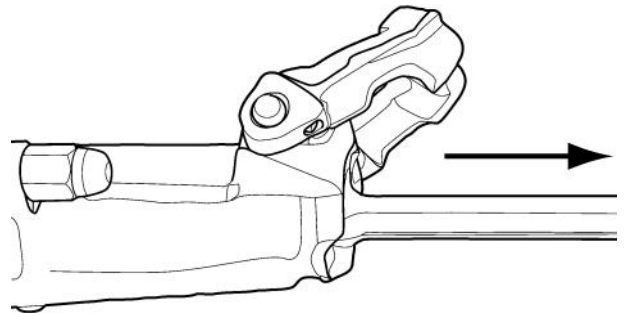
**Removing the drill steel**

Whenever removing the drill steel the following instructions must be observed:

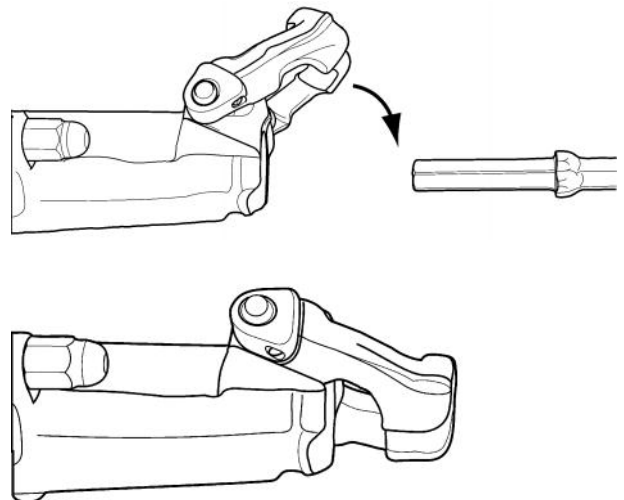
1. Push the retainer outwards in the direction of the arrow until the drill steel collar disengages from the front of the retainer.



2. Pull the drill steel out.



3. Push back the retainer.



**Operation**

**▲ WARNING Involuntary start**

Involuntary start of the machine may cause injury.

- ▶ Keep your hands away from the start and stop device until you are ready to start the machine.
- ▶ Learn how the machine is switched off in the event of an emergency.
- ▶ Stop the machine immediately in all cases of power supply interruption.

## Preparations before starting

### Check the drilling equipment

- ◆ Check that all of the drilling equipment is in good condition.
- ◆ Check that the impact surface of the drill steel shank is flat, with no signs of wear.
- ◆ Make sure that the air inlet and exhaust ports are free from obstructions.
- ◆ Check that the flushing holes in the drill steel and drill bit are not blocked, and that the flushing air and water flows through without obstruction.
- ◆ Make sure that the air filter (located in the air nipple) is clean and not torn or distorted.
- ◆ Ensure that the fittings are tight and leak-proof.

### ▲ DANGER Whipping air hose

A compressed air hose that comes loose can lash around and cause personal injury or death

- ▶ Check that the compressed air hose and the connections are not damaged.
- ▶ Check that all compressed air connections are properly attached.

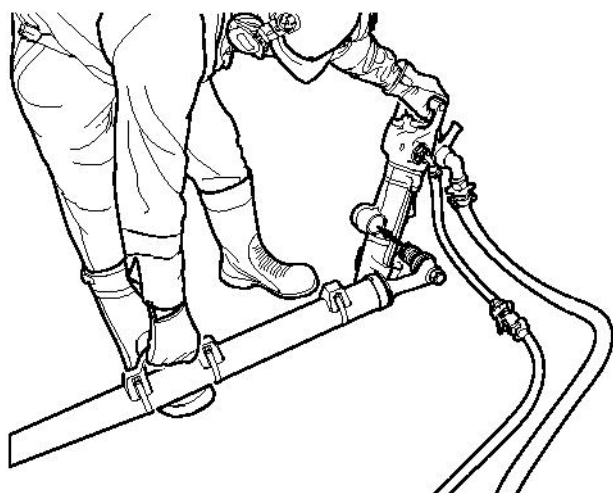
### Blow out the air hose

- ◆ Every day before using the drill, blow out the air hose to clear it of accumulated dirt and moisture.

### Fill the lubricator with oil

- ◆ Check that the chuck and insertion tool shank are always covered with a film of oil.

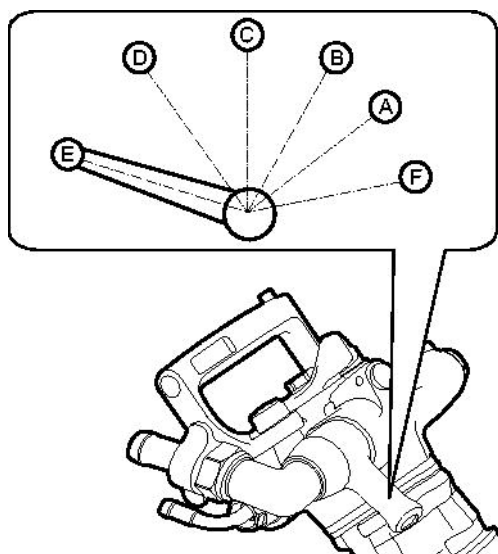
### Attaching the pusher leg to the rock drill



The pusher leg must be fixed to the rock drill by means of the bayonet coupling.

## Controls

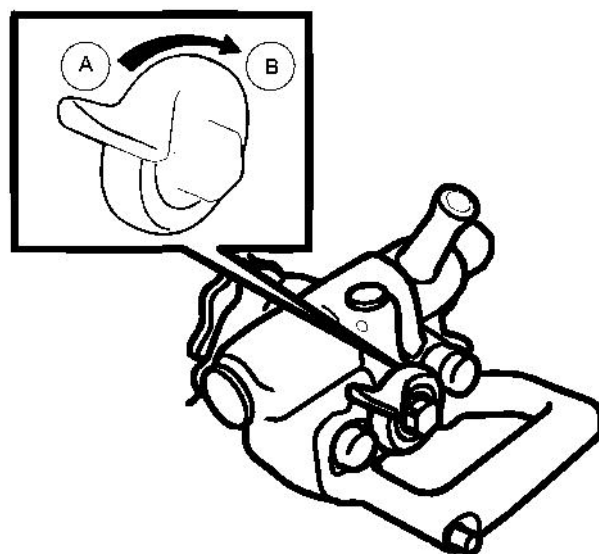
### Throttle lever



The rock drill is equipped with a throttle lever for regulating both the compressed air to the percussion mechanism and the flushing water.

- A. Throttle valve closed (stop position).  
Blow-cleaning only.
- B. Air to pusher leg.
- C. Flushing water.
- D. Air to percussion mechanism.
- E. Throttle lever fully open (full throttle).
- F. Extra blowing.

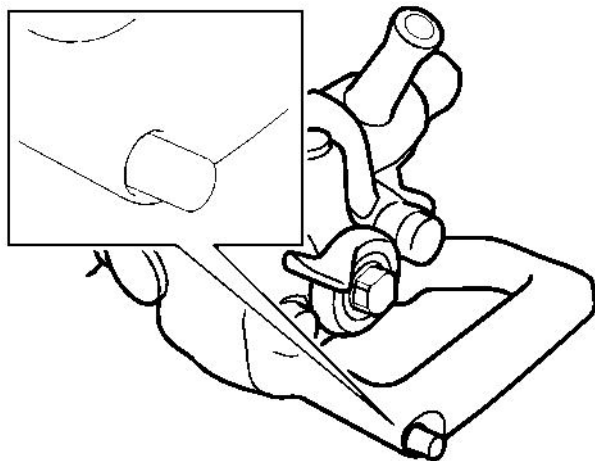
### Feed control lever



Adjust the feed force using the feed control lever as follows:

- ◆ Turn the feed control lever clockwise (B) to increase the feed force.
- ◆ Turn the feed control lever anti-clockwise (A) to decrease the feed force.
- ◆ When the feed control lever is in the closed position (A), the pusher leg is vented.

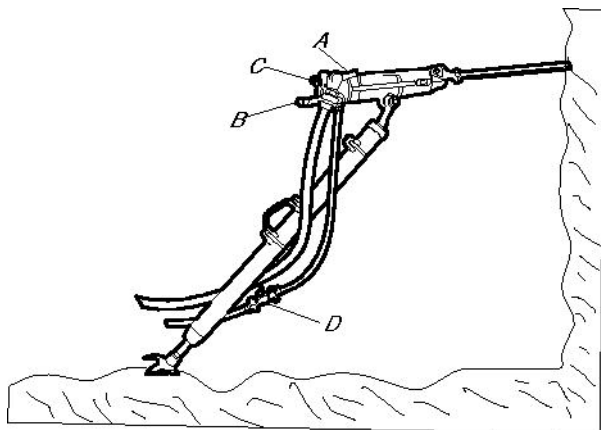
### Valve pin



When the valve pin is pushed in, the feed force stops abruptly and the setting on the feed control lever is overridden. The piston rod in the pusher leg retracts automatically. This function is used, for example to adjust the height of the rock drill, when rigging up the pusher leg, or when there is a tendency to jam. When the valve pin is depressed, the feed control lever is activated again.

## Start and stop

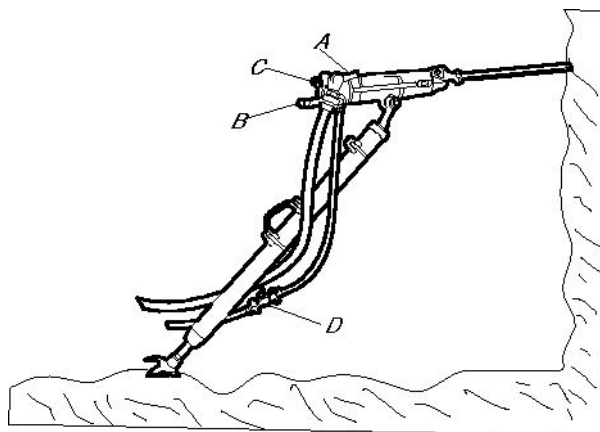
### Starting the rock drill



1. Open the main valve for compressed air.
2. Open the cock (D) for the flushing water.
3. Adjust the feed control lever (C) to give a suitable feed force for collaring the hole.

4. Align the rock drill so that the drill steel touches the required collaring point.
5. Move the throttle lever (A) forward a little, which will start the water flushing, the percussion and rotation.
6. Collar the hole with reduced feed force.
7. Move the throttle lever (A) fully forward once the drill steel has gained a secure footing in the rock.
8. Adjust the feed force by turning the feed control lever (C) so that the maximum penetration rate is obtained.

### Stopping the rock drill



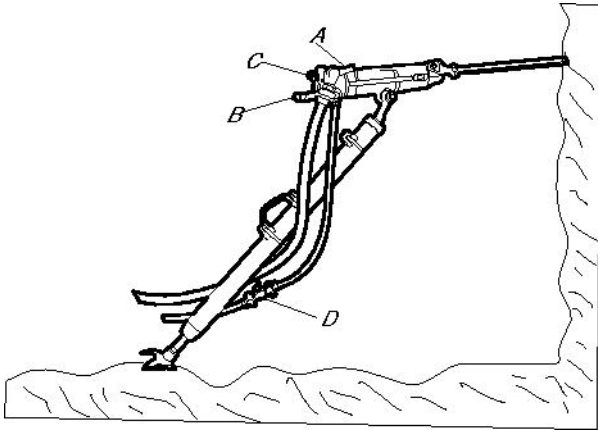
1. Pull the throttle lever (A) backwards, which will stop the percussion, rotation, and flushing water.
2. Turn the feed control lever (C) to the closed position.

## Operating

### Drilling

- ◆ Use protective shoes, gloves, helmet, ear protectors and impact resistant eye protection with side protection.
- ◆ Stand firmly and always hold the machine with both hands.
- ◆ Hold the inserted tool firmly against the work surface before starting the machine.

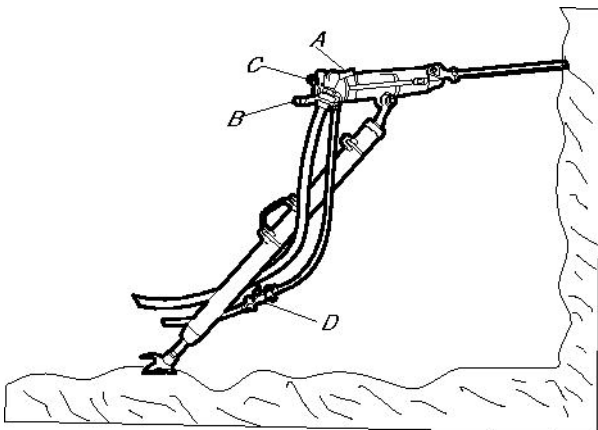
## Re-positioning the pusher leg



1. Switch off the rock drill percussion and flushing by means of the throttle lever (A).
2. Depress the valve pin (B), whereupon the piston rod is pulled back into the pusher leg cylinder automatically.
3. Re-position the pusher leg.
4. Release the valve pin (B), whereupon the piston rod will move outwards again.
5. Move the throttle lever (A) forward into the working position.

The feed control lever (C) does not need to be touched throughout this operation.

## Blow-cleaning the drill hole



If blow-cleaning of the drill hole is required:

- 1) Turn the throttle lever (A) fully backwards beyond the stop position, to the position for extra blowing (see "Controls"), this will make the rock drill stop. This can be done during drilling.
- 2) When the drill hole is clean, turn the throttle lever (A) forwards again to re-start the rock drill.

## When taking a break

- ◆ Lay down the rock drill on a stone, wooden plank or similar object, so as to prevent drill cuttings and other foreign matter from entering the chuck.
- ◆ Turn off the water pressure before the air pressure. Run the rock drill for a few seconds to clean out water and moisture after the water has been shut off.

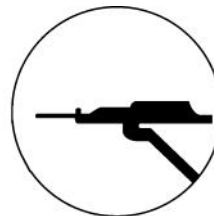
## Maintenance

Regular maintenance is a basic requirement for the continued safe and efficient use of the machine. Follow the maintenance instructions carefully.

- ◆ Before starting maintenance on the machine, clean it in order to avoid exposure to hazard substances. See "Dust and fume hazards"
- ◆ Use only authorised parts. Any damage or malfunction caused by the use of unauthorised parts is not covered by warranty or product liability.
- ◆ When cleaning mechanical parts with solvent, comply with appropriate health and safety regulations and ensure there is satisfactory ventilation.
- ◆ For major service to the machine, contact your nearest authorised workshop.
- ◆ After each service, check that the machine's vibration level is normal. If not, contact your nearest authorised workshop.

## Differences between original parts and pattern parts

When buying a part, the first thing to do is to verify that the part is an Atlas Copco part. Most parts can be identified.



1985 5123 45

Rock drill parts are normally marked with a part number and the Atlas Copco identity mark which is a circle with a rock drill. In a few cases the part is marked either with the circle only or the part number only.

Rubber and plastic parts are not normally marked. Competitors that copy our parts often mark major, expensive parts. Some parts have only the part number, but some of them also have an identity mark in the form of the initials of the manufacturer's name. Part numbers on the pattern parts are mostly stamped by hand which results in irregularities. The part numbers stamped by Atlas Copco are regular and the individual figures are the same size. In addition the depth of the figures and the spacing between the figures in each group are the same.

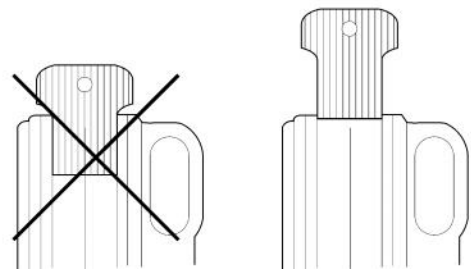
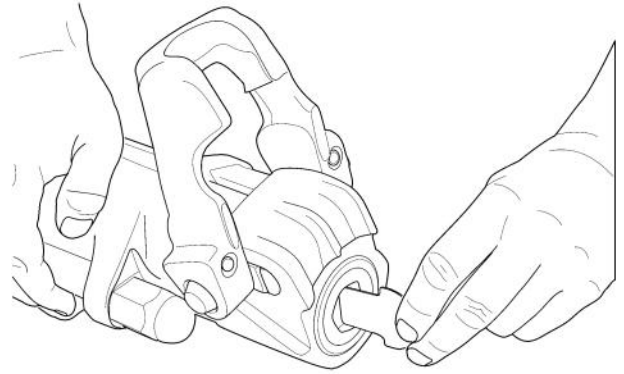
## Every day

Before undertaking any maintenance or changing the insertion tool on pneumatic machines, always switch off the air supply and bleed the machine by depressing the start and stop device then disconnect the air hose from the machine.

- ◆ Clean and inspect the machine and its functions each day before the work commences.
- ◆ Conduct a general inspection for leaks and damage.
- ◆ Check that the air inlet nipple is tightened and that the claw coupling is free from damage.
- ◆ Check the function of the throttle handle. Make sure that it moves freely up and down.
- ◆ Check the function of the retainer. Make sure that it locks the drill steel.
- ◆ Change damaged parts immediately.
- ◆ Replace worn components in good time.
- ◆ Check the through bolts of the machine. Make sure that they are tightened.
- ◆ If the machine is equipped with a silencer, check for damage.

## Checking for wear

1. Check the wear in the chuck bushing using the Atlas Copco (3091 0038 00) gauge (22 mm).  
If the wear limit has been exceeded, the drill steel shank will wear more quickly, or become deformed. This will lead to stoppages and increased drill-steel consumption.



2. Check the tightness of the side-bolt nuts (A). Tighten to a torque of 130 Nm.



3. Check the rock drill's connection to the pusher leg.
4. Check the hoses, couplings and controls for leakage and damage.

5. Check that the rock drill and pusher leg are receiving enough lubrication. Fill the lubricator if necessary.
6. Drain the water separator.
7. Check the air and water pressure. Make sure that the water pressure is at least 1 bar lower than the air pressure.

## Disposal

A used machine must be treated and disposed of in such a way that the greatest possible portion of the material can be recycled and any negative influence on the environment is kept as low as possible, and in respect to local restrictions.

## Periodic maintenance

After each operating period of approximately 100 working hours or three times a year the machine must be dismantled and all parts be cleaned and checked. This work must be performed by authorized staff, trained for this task.

## Damage patterns

Worn or broken parts must always be studied carefully before they are replaced. They can give important information about the condition of the drill and about the way it is used and maintained.

Problem	Cause
Steel parts are a bluish colour	The parts have been subjected to excessive heat. This can be caused by insufficient lubrication or idling
Steel parts have small almost microscopic fissures on the wear surfaces	See above
Irregular cavities on the surface of bronze parts	See above
Cutting marks	Secondary damage Dirt inside the drill
	Interior misalignment due to uneven tension of the side bolts

## Storage

- Always oil the rock drill well, before you put it into storage.
- Always store the machine in a clean and dry place.
- Make sure that no foreign matter enters the machine.
- Protect the chuck using the plastic plug provided with the machine. Alternatively, use a wooden plug or a clean piece of cotton waste.
- In the case of long-term storage, pour a quantity of oil directly into the rock-drill's air intake and then turn on the air briefly. This will protect the machine from corrosion.

## Technical data

## Troubleshooting

Problem	Cause	Solution
Decreased penetration rate	Air leakage in hoses, couplings	Change seals, and where required, change parts in the penetration throttle valve
	Main valve leaking (flipper valve)	Grind the main valve so that it seals properly
	Rotation chuck bushing	Check the rotation chuck bushing with the gauge <sup>1</sup> for excessive wear. The limit for permissible wear is reached when the template can be pushed so far in between the two opposite sides of the hexagonal hole that its shoulders make contact with the bushing
	Air leakage due to worn piston/cylinder	Change the piston and/or cylinder
	Air leakage due to worn intermediate part/pilot guide	Change the worn part
	Ice formation in the silencer	Let the ice thaw at room temperature
Insufficient feed force	Piston rod packing worn or deformed	Change the seal
Poor rotation	Splines of the rifle nut worn	Replace the rifle nut if the splines are worn
	Splines of the rifle bar worn down	Replace the rifle bar when needed
	Splines on the piston worn down	Replace the piston when needed
	The toothing in the ratchet	Replace the ratchet housing if the tooth housing is so worn that the pawls have difficulty catching
	The toothing in the ratchet	Replace the ratchet wheel if the toothing is so worn that the pawls have difficulty catching
	Chuck nut worn	Replace the chuck nut if the splines have been worn to ½ of the spline width
	Pawls worn	Replace all pawls, all pawl springs and all pawl pins
Uneven running	Piston has seized in the intermediate part or the piston guide	Change the intermediate part/piston guide. If required, polish the piston. Check the piston for heat damages such as blue colouring and/or fissures. If it is damaged in this way, change the piston as well
	Dirty or damaged main valve. Caused by impurities or foreign matter entering the drill with the compressed air	Clean and polish the valve so that it seals against the corresponding cylindrical and plane sealing surfaces. If this is not possible because the defects are too serious, the valve must be replaced
	Freezing. Caused by leakage in the flushing system or by excess water in the compressed air or by excessive water pressure <sup>2</sup>	Check the flushing tubes and seals and the water pressure <sup>2</sup> . Drain water from the compressed air system. If the problem continues, fit a water separator in the airline system
Uneven running (cont.)	The side bolts are unevenly or insufficiently tightened. Can cause the various parts to lose their alignment, resulting in seizure of the moving parts. Abnormal strains on the side bolts may result in fracture at the threads.	Check and repair any damage to the contact points and tighten the bolts with the correct tightening torque
Abnormal wear of the rotation chuck bushing	Insufficient lubrication (Can cause possible secondary damage)	Check the chuck bushing with the specially designed gauge <sup>1</sup> . The maximum permitted wear limit has been reached when the gauge <sup>1</sup> , inserted between two opposite flat surfaces, touches the bottom. Check the water pressure <sup>2</sup> - it must be lower than the air pressure <sup>2</sup> .
The drill gets hot	Lack of oil	Add oil and check that it runs through. It is not sufficient that there is oil in the exhaust air. There must also be an oil coating on the shank of the drill steel. Check that the lubricator is connected in the right direction.
Freezing	Moisture in the compressed air	Use water traps
	Water pressure higher <sup>2</sup> than the air pressure	Lower the water pressure
Water pipe breakage	Misalignment of the shank	Change drill steel or chuck bushing or both
	Damaged flushing hole in the shank	Change drill steel

Problem	Cause	Solution
Chipping of the piston tip	Misalignment of the shank	Change the drill steel or chuck bushing or both
	Excessive wear of the piston tip	Change piston
Spline breakage	Lack of lubrication	Lower the water pressure <sup>2</sup> if it is the same as or greater than the air pressure
		Increase lubrication or change oil
	Dirt intrusion (specially when drilling upwards)	Increase regularity of servicing
Piston breakage	Lack of lubrication	Lower the water pressure if it is the same as or greater than the air pressure
		Increase lubrication or change oil
	Uneven tension in the side bolts	Tighten the bolts correctly
Side bolt breakage	Worn intermediate part/piston guide (can be confirmed by the cushion test)	Change the worn part
	Uneven tension on the bolts	Tighten the bolts correctly

<sup>1</sup>Gauge for chuck bushing 22 mm ( 7/8") hexagon shank Atlas Copco no. **3091 0038 00**.

<sup>2</sup> Use Atlas Copco no. **9090 0550 80** pressure gauge to test the water and air pressure.

## Machine data

Type	Part number	Piston bore	Stroke length	Overall length	Weight	Shank dimension
		mm (in.)	mm (in.)	mm (in.)	kg (lb)	mm (in.)
BBC 16W	8311 0401 10	70 (2¾)	55 (2½)	710 (28)	26.0 (57.3)	22 X 108 (7/8 X 4¼)
BBC 16WS	8311 0303 46	70 (2¾)	55 (2½)	710 (28)	27.0 (59.5)	22 X 108 (7/8 X 4¼)
BBC 34W	8311 0408 05	80 (3½)	70 (2¾)	775 (30½)	31.0 (68.3)	22 X 108 (7/8 X 4¼)
BBC 34WS	8311 0303 47	80 (3½)	70 (2¾)	775 (30½)	32.0 (70.5)	22 X 108 (7/8 X 4¼)

Type	Air consumption (6 bar)	Impact rate (6 bar)	Hole diameter	Reaming hole diameter
	l/s (foot <sup>3</sup> /min )		mm (in.)	mm (in.)
BBC 16W	69 (146)	39	27-41 (1-1.6)	≤76 (≤3)
BBC 16WS	69 (146)	39	27-41 (1-1.6)	≤76 (≤3)
BBC 34W	88 (186)	38	27-41 (1-1.6)	≤76 (≤3)
BBC 34WS	88 (186)	38	27-41 (1-1.6)	≤76 (≤3)

## Noise and vibration declaration statement

Guaranteed sound power level **L<sub>w</sub>** according to ISO 3744 in accordance with directive 2000/14/EC.

Sound pressure level **L<sub>p</sub>** according to ISO 11203.

Vibration value **A** and uncertainty **B** determined according to ISO 5349-2. See table "Noise and vibration data" for the values of A, B, etc.

These declared values were obtained by laboratory type testing in accordance with the stated directive or standards and are suitable for comparison with the declared values of other tools tested in accordance with the same directive or standards. These declared values are not suitable for use in risk assessments and values measured in individual work places may be higher. The actual exposure values and risk of harm experienced by an individual user are unique and depend upon the way the user works, in what material the machine is used, as well as upon the exposure time and the physical condition of the user, and the condition of the machine.



We, Atlas Copco Construction Tools AB, cannot be held liable for the consequences of using the declared values, instead of values reflecting the actual exposure, in an individual risk assessment in a work place situation over which we have no control.

This tool may cause hand-arm vibration syndrome if its use is not adequately managed. An EU guide to managing hand-arm vibration can be found at <http://www.humanvibration.com/EU/VIBGUIDE.htm>

We recommend a programme of health surveillance to detect early symptoms which may relate to vibration exposure, so that management procedures can be modified to help prevent future impairment.

## Noise and vibration data

Type	Noise		Vibration	
	Declared values		Declared values	
	Sound pressure	Sound power	Three axes values	
	ISO 11203	ISO 15744	ISO 5349-2	
	Lp r=1m dB(A) rel 20µPa	Lw guaranteed dB(A) rel 1pW	A m/s <sup>2</sup> value	B m/s <sup>2</sup> spreads
BBC 16W	111	122	16.6	-
BBC 16WS	103	114	16.6	-
BBC 34W	116	127	20.4	-
BBC 34WS	109	120	20.4	-

## Accessories

Description	Remark	Quantity	Part number
CLG 30, European type	For both mineral and synthetic oil	1	8202 5102 39
BLG 30, European type	For mineral oil	1	8202 5102 05
VAM 5A, European type	Airflow <120 l/s (254 ft <sup>3</sup> /min)	1	8092 0110 82
Rubber hose, pre-mounted	25 mm ( 1 in.), 3 m (10 ft)	1	9030 2051 00
X-LITE flat hose, universal	25 mm ( 1 in.), 20 m (65 ft)	1	9030 2111 00
Rock Drill AIR-OIL	10 l	1	8099 0201 10
Rock Drill AIR-OIL	208 l	1	8099 0201 28

## Pusher legs

Type	Part number	Suitable for rock drill	Feeding length mm	Length retracted mm	Length extended mm	Weight kg	Piston bore mm
<b>Single telescope</b>							
BMT 51	8321 0301 01	BBC 16W/WS, BBC 34W/WS	1300	1658	2958	15	60
ALF 71	8321 0201 94	BBC 16W/WS, BBC 34W/WS	1300	1805	3105	14	70
ALF 71-1	8321 0201 95	BBC 16W/WS, BBC 34W/WS	950	1455	2405	13	70
<b>Double telescope</b>							
ALF 67/80	8321 0201 85	BBC 16W/WS, BBC 34W/WS	1855	1495	3350	17	67/80

## EC Declaration of Conformity

### EC Declaration of Conformity (EC Directive 2006/42/EC)

We, Atlas Copco Construction Tools AB, hereby declare that the machines listed below conform to the provisions of EC Directive 2006/42/EC (Machinery Directive), and the harmonised standards mentioned below.

Pusher leg rock drills	Part number	Pmax (bar)
BBC 16W	8311 0401 10	7
BBC 16WS	8311 0303 46	7
BBC 34W	8311 0408 05	7
BBC 34WS	8311 0303 47	7

#### Technical Documentation authorised representative:

Erik Sigfridsson  
 Atlas Copco Construction Tools AB  
 Dragonvägen 2  
 Kalmar

#### General Manager:

Erik Sigfridsson

#### Manufacturer:

Atlas Copco Construction Tools AB  
 105 23 Stockholm  
 Sweden

#### Place and date:

Kalmar, 2010-01-01



## FRANÇAIS

**Sommaire**

Introduction.....	31
À propos des prescriptions de sécurité et des instructions pour l'opérateur.....	31
<b>Consignes de sécurité.....</b>	<b>32</b>
<b>Indications de sécurité.....</b>	<b>32</b>
<b>Précautions et qualifications du personnel.....</b>	<b>32</b>
Équipement de protection du personnel.....	32
Drogues, alcool ou médicaments.....	32
<b>Installation, précautions.....</b>	<b>32</b>
<b>Fonctionnement, précautions.....</b>	<b>33</b>
<b>Maintenance, précautions.....</b>	<b>37</b>
<b>Stockage, précautions.....</b>	<b>37</b>
<b>Vue d'ensemble.....</b>	<b>38</b>
<b>Conception et fonctionnement.....</b>	<b>38</b>
Principe de fonctionnement d'un marteau perforateur.....	38
Mécanisme de la vanne de commande.....	38
Mécanisme de rotation.....	38
Rinçage.....	38
<b>Principales pièces.....</b>	<b>39</b>
<b>Étiquettes.....</b>	<b>39</b>
Plaque signalétique.....	39
Étiquette de sécurité.....	39
<b>Installation.....</b>	<b>39</b>
<b>Réception et déballage du marteau perforateur.....</b>	<b>39</b>
Protections en plastique.....	39
Lubrification.....	40
<b>Flexibles et connexions.....</b>	<b>40</b>
<b>Mesures de prévention du gel.....</b>	<b>40</b>
<b>Branchement d'un séparateur d'eau.....</b>	<b>40</b>
<b>Lubrification.....</b>	<b>40</b>
<b>Réglage de pression.....</b>	<b>41</b>
Pression d'air.....	41
Étalonner la pression d'air correcte.....	41
Pression d'eau.....	41
<b>Fleuret.....</b>	<b>41</b>
Avant de fixer le fleuret.....	41
Fixation du fleuret.....	41
Retrait du fleuret.....	42
<b>Commande.....</b>	<b>42</b>
<b>Opérations à effectuer avant la mise en service.....</b>	<b>43</b>
Contrôler l'équipement de forage.....	43
Purger le flexible à air.....	43
Remplissez le lubrificateur d'huile.....	43
Fixez le poussoir sur le marteau perforateur.....	43
<b>Commandes.....</b>	<b>43</b>
Lever de commande.....	43
Lever de commande d'avance.....	44
Bouton de soupape.....	44
<b>Marche/arrêt.....</b>	<b>44</b>
Démarrage du marteau perforateur.....	44
Arrêt du marteau perforateur.....	45
<b>Utilisation.....</b>	<b>45</b>

Forage.....	45
Re-positionnement du poussoir.....	45
Rincer le trou foré.....	45
<b>Lors des pauses.....</b>	<b>46</b>
<b>Maintenance.....</b>	<b>46</b>
<b>Différences entre les pièces d'origine et les pièces copiées.....</b>	<b>46</b>
<b>Chaque jour.....</b>	<b>46</b>
<b>Contrôle de l'usure.....</b>	<b>47</b>
<b>Maintenance périodique.....</b>	<b>48</b>
<b>Types de dégâts.....</b>	<b>48</b>
<b>Stockage.....</b>	<b>48</b>
<b>Destruction d'une machine usagée.....</b>	<b>48</b>
<b>Caractéristiques techniques.....</b>	<b>49</b>
<b>Recherche de pannes.....</b>	<b>49</b>
<b>Caractéristiques de la machine.....</b>	<b>50</b>
<b>Énoncé déclaratif sur les vibrations et le bruit.....</b>	<b>51</b>
<b>Données relatives au bruit et aux vibrations.....</b>	<b>51</b>
<b>Accessoires.....</b>	<b>51</b>
<b>Poussoirs.....</b>	<b>52</b>
<b>Déclaration CE de conformité.....</b>	<b>53</b>
<b>Déclaration CE de conformité (Directive 2006/42/CE).....</b>	<b>53</b>



## Introduction

Nous vous remercions d'avoir choisi un produit Atlas Copco. Depuis 1873, nous nous efforçons de trouver des solutions pertinentes et adaptées aux besoins de nos clients. Au fil des ans, nous avons développé des produits innovants et ergonomiques qui contribuent à l'amélioration et à la rationalisation du travail quotidien de nos clients.

Atlas Copco dispose d'un solide réseau de distribution et de service après-vente, constitué de centres de clientèle et de distributeurs, partout dans le monde. Nos experts sont des professionnels formés, bénéficiant d'un savoir-faire global en termes de produits et d'applications. Aux quatre coins du monde, nous sommes en mesure d'offrir le soutien et l'expérience requis pour garantir à nos clients une efficacité optimale et continue de leur activité.

Pour plus d'informations, veuillez consulter le site Web suivant :  
[www.atlascopco.com](http://www.atlascopco.com)

Atlas Copco Construction Tools AB  
105 23 Stockholm  
Sweden

## À propos des prescriptions de sécurité et des instructions pour l'opérateur

Le but des instructions est de vous apprendre à utiliser le marteau perforateur d'une manière efficace et en toute sécurité. Les instructions vous donnent également des conseils et vous indiquent comment effectuer la maintenance de routine du marteau perforateur.

Vous devez lire ces instructions attentivement et les comprendre avant d'utiliser le marteau perforateur pour la première fois.

## Consignes de sécurité

Il convient de lire et d'assimiler les Prescriptions de sécurité et des instructions pour l'opérateur avant toute installation, utilisation, réparation, entretien ou remplacement d'accessoire sur la machine, afin de minimiser le risque de blessures graves ou de dommages pouvant entraîner la mort.

Affichez les Prescriptions de sécurité et instructions pour l'opérateur sur les différents sites de travail ; faites en des copies pour les employés et assurez-vous que chaque personne concernée a bien lu les Prescriptions de sécurité et instructions pour l'opérateur, avant d'utiliser ou d'intervenir sur la machine.

En outre, l'opérateur ou l'employeur doit évaluer les risques spécifiques pouvant survenir à la suite de chaque utilisation de la machine.

## Indications de sécurité

Les indications de sécurité Danger, Attention et Prudence ont les sens suivants :

<b>DANGER</b>	Indique une situation dangereuse qui, si elle n'est pas évitée, terminera par provoquer la mort ou des blessures graves.
<b>AVERTISSEMENT</b>	Indique une situation dangereuse qui, si elle n'est pas évitée, est de susceptible de provoquer la mort ou des blessures graves.
<b>ATTENTION</b>	Indique une situation dangereuse qui, si elle n'est pas évitée, est de susceptible de provoquer des blessures mineures à modérées.

## Précautions et qualifications du personnel

Seules des personnes qualifiées ou formées peuvent utiliser ou procéder à l'entretien de la machine. Elles doivent être physiquement aptes à manipuler le volume, le poids et la puissance de l'outil. Utilisez toujours votre jugement et votre bon sens.

## Équipement de protection du personnel

Utilisez toujours un équipement de protection individuelle homologué. Les opérateurs et toutes autres personnes séjournant sur la zone de travail doivent porter un équipement de protection individuelle, incluant au minimum :

- Casque de protection
- Protections auditives
- Protecteurs des yeux résistants aux chocs avec protection latérale
- Appareil de protection respiratoire, le cas échéant
- Gants de protection
- Bottes de protection adaptées
- Salopette de travail appropriée ou vêtement similaire (serré) qui recouvre les bras et les jambes.

## Drogues, alcool ou médicaments

### ▲ AVERTISSEMENT Drogues, alcool ou médicaments

Les drogues, l'alcool ou les médicaments risquent d'avoir un effet négatif sur votre jugement et votre capacité de concentration. De mauvaises réactions et des évaluations incorrectes peuvent entraîner des accidents graves, voire la mort.

- ▶ N'utilisez jamais la machine lorsque vous êtes fatigué(e) ou sous l'influence de drogues, de l'alcool ou de médicaments.
- ▶ L'utilisation de la machine par une personne sous l'influence de drogues, de l'alcool ou de médicaments est strictement interdite.

## Installation, précautions

### ▲ DANGER Coup de fouet d'un flexible pneumatique

Un flexible d'air comprimé qui se détache risque de fouetter dans tous les sens et de provoquer des dommages corporels ou la mort. Pour réduire ce risque :

- ▶ Vérifiez que le flexible d'air comprimé et les raccords ne sont pas endommagés. Les remplacer si nécessaire.
- ▶ Vérifiez que les raccords d'air comprimé sont correctement fixés.
- ▶ Ne jamais porter une machine pneumatique par le flexible d'air.



- ▶ Ne jamais essayer de débrancher un flexible d'air comprimé sous pression. D'abord, coupez l'alimentation en air comprimé au niveau du compresseur, puis purgez la machine en activant le dispositif de marche/arrêt.
- ▶ Ne jamais pointer un flexible d'air comprimé sur quelqu'un ou sur soi. Afin d'éviter tout risque de blessure, ne jamais utiliser l'air comprimé pour nettoyer la poussière, les salissures, etc., sur vos vêtements.
- ▶ N'utilisez pas de raccords rapides à l'entrée de l'outil. Utilisez des raccords filetés en acier trempé (ou un matériau présentant une résistance aux chocs comparable).
- ▶ Chaque fois que des raccords universels (raccords à griffes) sont utilisés, nous recommandons de monter des goupilles de verrouillage et d'utiliser des câbles de sécurité pour tuyaux flexibles, afin d'empêcher tout relâchement d'un accouplement flexible - outil et tuyau - tuyau.

#### ▲ AVERTISSEMENT Outil d'insertion éjecté

Si la sécurité de l'outil n'est pas verrouillée sur la machine, l'outil d'insertion risque d'être éjecté avec force, et de provoquer des dommages corporels.

- ▶ Ne démarrez jamais la machine au moment du changement de l'outil d'insertion.
- ▶ Avant de changer l'outil d'insertion ou un accessoire, arrêtez la machine, coupez l'alimentation électrique et purgez la machine en activant le dispositif de marche/arrêt.
- ▶ Ne jamais pointer l'outil inséré vers soi-même ni vers autrui.
- ▶ Assurez-vous que l'outil d'insertion est entièrement inséré et que la sécurité de l'outil est en position verrouillée avant tout démarrage de la machine.
- ▶ Vérifiez la fonction de verrouillage en tirant énergiquement l'outil inséré vers l'extérieur.

#### ▲ AVERTISSEMENT Déplacement / glissement d'outil d'insertion

Une dimension incorrecte de l'emmanchement de l'outil inséré peut induire la perte ou le glissement de ce dernier pendant le fonctionnement. Risque de blessure grave ou d'écrasement des mains et des doigts.

- ▶ Vérifiez que l'outil d'insertion utilisé possède la bonne taille d'emmanchement et les dimensions pour lesquelles la machine est prévue.
- ▶ Ne jamais utiliser un outil d'insertion sans collet.

## Fonctionnement, précautions

### ▲ DANGER Danger d'explosion

Si un outil d'insertion chaud entre en contact avec un explosif, cela pourrait provoquer une explosion. Lors de travaux sur certains matériaux et lors d'utilisation de certains matériaux dans les pièces de la machine, des étincelles susceptibles d'enflammer des gaz peuvent provoquer des explosions. Les explosions peuvent provoquer des dommages corporels voire la mort.

- ▶ Ne jamais utiliser la machine dans un environnement explosif quelconque.
- ▶ N'utilisez jamais cette machine près de poussières, d'émanations ou de matériaux inflammables.
- ▶ Assurez-vous qu'il n'y a aucune source de gaz non identifiée ni explosifs dans les environs.
- ▶ Ne jamais forer dans un ancien trou.

### ▲ AVERTISSEMENT Mouvements inopinés

L'outil inséré est soumis à des efforts importants lors de l'utilisation de la machine. L'outil inséré peut se rompre à cause de la fatigue après un certain temps d'utilisation. En cas de rupture ou de blocage de l'outil inséré, des mouvements soudains et imprévus peuvent se produire et entraîner des blessures. Les pertes d'équilibre ou les glissades peuvent également provoquer des blessures.

- ▶ Assurez-vous de toujours adopter une position stable, les pieds dans le prolongement de vos épaules et votre poids bien réparti sur les deux jambes.
- ▶ Vérifiez toujours l'équipement avant de l'utiliser. Évitez d'utiliser l'équipement s'il vous semble endommagé.
- ▶ Assurez-vous que les poignées sont toujours bien propres, sans graisse ni huile.
- ▶ Gardez vos pieds éloignés de l'outil inséré.
- ▶ Restez bien droit et tenez toujours la machine à deux mains.
- ▶ Ne jamais forer dans un ancien trou.
- ▶ Ne mettez pas la machine en marche lorsqu'elle est posée sur le sol.
- ▶ Ne 'chevauchez' jamais la machine, une jambe passée sur la poignée.
- ▶ Ne maltraitez jamais l'équipement.
- ▶ Examinez régulièrement l'usure de l'outil d'insertion et contrôlez la présence éventuelle de signes de détérioration ou de fissures visibles.

- ▶ Soyez vigilant et concentrez-vous sur ce que vous faites.

#### ▲ AVERTISSEMENT Danger de calage

Si l'outil d'insertion se bloque durant le fonctionnement, la machine se mettra à tourner sur elle-même si vous ne la tenez pas bien. Cette rotation inattendue de la machine entière peut provoquer des blessures graves, voire la mort.

- ▶ Restez bien droit et tenez toujours la machine avec les deux mains.
- ▶ Assurez-vous que les poignées sont toujours bien propres, sans graisse ni huile.
- ▶ Ne jamais forer dans un ancien trou.

#### ▲ AVERTISSEMENT Danger de piégeage

Les vêtements flottants, cheveux, gants, foulards ou écharpes risquent de se prendre sur un outil à insertion ou un accessoire en rotation. Ce type d'incident peut provoquer un étouffement, un scalp, des déchirures voire la mort. Pour réduire ce risque :

- ▶ Évitez à tout prix d'agripper ou de toucher un fleuret en rotation.
- ▶ Évitez de porter des vêtements amples, des gants, des foulards ou écharpes susceptibles de se prendre dans la pièce en rotation.
- ▶ Couvrez les cheveux à l'aide d'un filet.

#### ▲ AVERTISSEMENT Dangers liés aux poussières et aux fumées

Les poussières et/ou de fumées générées ou dispersées lors de l'utilisation de la machine peuvent causer des maladies respiratoires graves et permanentes, ou autre lésion corporelle (par exemple, la silicose ou autre maladie pulmonaire irréversible qui peut être mortelle, cancer, malformations congénitales et/ou inflammation de la peau).

Certaines poussières et fumées créées lors de foration, casse, martelage, sciage, meulage et autres activités de construction, contiennent des substances connues dans l'État de Californie et par d'autres autorités pour provoquer des maladies respiratoires, le cancer, des malformations congénitales ou autres problèmes de reproduction. Quelques exemples de ces substances sont :

- Silice cristalline, ciment et autres produits de maçonnerie.
- Arsenic et chrome provenant de caoutchouc traité chimiquement.
- Plomb provenant de peintures à base de plomb.

Les poussières et fumées dans l'air peuvent être invisibles à l'œil nu. Par conséquent, ne comptez pas sur la vue oculaire pour déterminer s'il y a des poussières ou des fumées dans l'air.

Pour réduire les risques d'exposition aux poussières et fumées, effectuez tout ce qui suit :

- ▶ Effectuez une évaluation des risques spécifiques au site. L'évaluation des risques devra inclure les poussières et les vapeurs créées par l'utilisation de la machine et les poussières susceptibles d'incommoder le voisinage.
- ▶ Utilisez la sécurité intégrée appropriée pour minimiser la quantité de poussières et de fumées dans l'air et leur accumulation sur les équipements, les surfaces, les vêtements et les parties du corps. Exemples de mesures applicables : systèmes de ventilation aspirante et de captage des poussières, pulvérisation d'eau et forage humide. Contrôlez si possible les poussières et les fumées à la source. Assurez-vous que les commandes sont correctement installées, entretenues et utilisées.
- ▶ Portez, entretenez et utilisez de manière correcte la protection respiratoire comme indiqué par votre employeur, en respectant les normes de sécurité et de santé au travail. La protection respiratoire doit être efficace pour le type de substance en cause (et le cas échéant, approuvée par l'autorité gouvernementale pertinente).
- ▶ Travailler dans une zone bien ventilée.

- ▶ Si la machine dispose d'un système d'échappement, dirigez ce dernier de manière à réduire les mouvements de poussière dans un environnement chargé en poussières.
- ▶ Exploiter et entretenir la machine comme cela est recommandé dans les Prescriptions de sécurité et instructions pour l'opérateur.
- ▶ Sélectionner, entretenir et remplacer les consommables / les outils d'insertion / et autres accessoires comme cela est recommandé dans les Prescriptions de sécurité et instructions pour l'opérateur. Le choix incorrect ou le défaut d'entretien de consommables / outils d'insertion / et autres accessoires peut provoquer une augmentation inutile des poussières ou fumées.
- ▶ Sur le lieu de travail, portez des vêtements de protection lavables ou jetables. Avant de quitter le lieu de travail, douchez-vous et changez de vêtements, pour réduire votre exposition aux poussières et fumées et celle des autres, des voitures, des maisons et des autres zones.
- ▶ Évitez de manger, boire ou fumer hors dans les zones exposées aux poussières ou aux fumées.
- ▶ Lavez-vous les mains et le visage dès que possible avant de quitter la zone exposée, et toujours avant de manger, boire ou fumer, ou d'entrer en contact avec d'autres personnes.
- ▶ Respectez toutes les lois et règlements applicables, y compris les normes de sécurité et de santé au travail.
- ▶ Participez à la surveillance de l'air, aux programmes d'examen médical, et aux programmes de formation à la santé et à la sécurité proposés par votre employeur ou les organisations professionnelles, et conformément aux normes et recommandations de sécurité et de santé au travail. Consultez un médecin spécialiste en médecine du travail.
- ▶ Coopérez avec votre employeur et l'organisation professionnelle pour réduire l'exposition aux poussières et fumées sur le chantier, ainsi que les risques. Des programmes de santé et de sécurité efficaces, des politiques et des procédures visant à protéger les salariés et autres personnes contre l'exposition à des poussières et des fumées nocives devront être établis et mis en œuvre sur les conseils d'experts en santé et sécurité. Consultez ces experts.

**▲ AVERTISSEMENT Projectiles**

Une pièce, des accessoires, ou même l'outil qui se détache peuvent se transformer en projectiles à grande vitesse. En cours de fonctionnement, des éclats de roche ou d'autres particules du matériau de travail peuvent se transformer en projectiles et provoquer des blessures en frappant l'opérateur ou d'autres personnes. Pour réduire ces risques :

- ▶ Utilisez des équipements de protection personnelle et un casque de sécurité approuvés, y compris une protection oculaire résistante avec protection latérale.
- ▶ Assurez-vous qu'aucune personne non autorisée ne pénètre dans la zone de travail.
- ▶ Maintenir le lieu de travail propre et exempt de corps étrangers.
- ▶ Assurez-vous que la pièce à travailler est correctement fixée.

**▲ AVERTISSEMENT Risques liés aux éclats de roche**

L'utilisation de l'outil d'insertion comme outil à main peut engendrer des éclats de roche qui risquent de heurter l'opérateur et de le blesser.

- ▶ Ne jamais utiliser l'outil d'insertion comme outil d'arasement. Ces outils sont spécialement conçus et traités thermiquement pour être utilisés uniquement dans une machine.

**▲ AVERTISSEMENT Risques de glissades, de trébuchements et de chute**

Il existe des risques de glissades, de trébuchements et de chute, par exemple sur des flexibles ou d'autres objets. Une glissade, un trébuchement ou une chute peut provoquer des blessures. Pour réduire ce risque :

- ▶ Toujours s'assurer qu'aucun flexible ou autre objet ne risque, d'une manière ou d'une autre, de gêner le passage d'une personne.
- ▶ Assurez-vous de toujours adopter une position stable, les pieds dans le prolongement de vos épaules et votre poids bien réparti sur les deux jambes.

**▲ AVERTISSEMENT Risques liés aux mouvements**

Lorsque vous utilisez la machine pour effectuer des travaux, vous pouvez ressentir de l'inconfort dans les mains, les bras, les épaules, le cou, ou d'autres parties du corps.

**Prescriptions de sécurité et instructions pour l'opérateur****BBC 16W, 16WS, 34W, 34WS**

- ▶ Adoptez une position confortable tout en maintenant une base sûre et évitez les postures inconfortables en déséquilibre.
- ▶ Changer de posture durant les longues sessions de travail peut contribuer à éviter l'inconfort et la fatigue.
- ▶ En cas de symptômes persistants ou récurrents, consultez un professionnel de la santé qualifié.

**▲ AVERTISSEMENT Dangers liés aux vibrations**

L'utilisation normale et adéquate de la machine expose l'opérateur à des vibrations. L'exposition régulière et fréquente aux vibrations peut causer, contribuer à, ou aggraver les blessures ou les troubles au niveau des doigts, des mains, des poignets, des bras, des épaules et/ou des nerfs et de la circulation sanguine et/ou d'autres parties du corps de l'opérateur, y compris les blessures ou les troubles qui peuvent se développer graduellement sur des semaines, des mois, ou des années. De telles blessures ou troubles peuvent inclure des dommages au niveau du système de circulation sanguine, du système nerveux, des articulations et éventuellement au niveau d'autres parties du corps.

En cas d'apparition, à un moment quelconque, d'engourdissement, de malaises récurrents persistants, de sensation de brûlure, de raideur, de douleur lancinante, de fourmillement, de douleur, de maladresse, d'affaiblissement du poignet, de blanchissement de la peau ou d'autres symptômes lors de l'utilisation de la machine ou en dehors de celle-ci, cessez toute utilisation de la machine, informez votre employeur et consultez un médecin. Le fait de continuer à utiliser la machine après l'apparition de tels symptômes risque de les aggraver et/ou de les rendre permanents.

Utilisez et entretenez la machine conformément aux instructions, afin d'éviter toute augmentation inutile des vibrations.

Les mesures suivantes peuvent contribuer à réduire l'exposition de l'opérateur aux vibrations :

- ▶ Laissez l'outil faire le travail. Utilisez une poignée manuelle réduite permettant un contrôle approprié et une utilisation en toute sécurité.
- ▶ Si la machine est équipée de poignées antivibratoires, maintenez-les en position centrale, en évitant d'enfoncer les poignées jusqu'à leur butées.
- ▶ Lorsque le mécanisme de percussion est activé, le seul contact entre votre corps et la machine doit être celui de vos mains sur la/les poignée(s). Évitez tout autre contact, notamment d'appuyer une partie quelconque du corps contre la machine ou de vous pencher sur cette dernière pour essayer d'en augmenter la capacité d'avance. Il est également important de ne pas maintenir le dispositif de marche/arrêt actionné lorsque vous retirez l'outil de la surface de travail cassée.
- ▶ Assurez-vous que l'outil inséré est correctement entretenu (et aiguisé s'il s'agit d'un outil coupant), en bon état et de la taille appropriée. Les outils insérés mal entretenus, usés ou de dimension inadaptée allongent la durée d'exécution d'une tâche (et celle de l'exposition aux vibrations) et peuvent induire ou contribuer à des niveaux plus élevés d'exposition aux vibrations.
- ▶ Arrêtez immédiatement de travailler si la machine commence soudainement à vibrer fortement. Avant de recommencer à travailler, identifiez la cause de l'augmentation des vibrations et remédiez-y.
- ▶ Évitez d'attraper, de tenir et de toucher l'outil inséré lorsque la machine est en marche.
- ▶ Participez à la surveillance médicale, aux examens médicaux et aux programmes de formation offerts par votre employeur ou imposés par la loi.
- ▶ Lorsque vous travaillez dans des conditions de froid, portez des vêtements chauds et gardez les mains au chaud et au sec.

Voir « Énoncé déclaratif sur les vibrations et le bruit » pour la machine, y compris les valeurs des vibrations déclarées. Ces informations figurent à la fin des « Prescriptions de sécurité et instructions pour l'opérateur ».

- ◆ Respectez la pression d'air recommandée lorsque vous utilisez la machine. Une pression d'air plus élevée ou plus faible peut entraîner des niveaux de vibrations plus élevés.

**▲ DANGER Dangers électriques**

La machine n'est pas isolée électriquement. Tout contact de la machine avec de l'électricité risque de provoquer des blessures graves ou la mort.

- ▶ N'utilisez jamais la machine près d'un câble électrique ou d'une autre source d'électricité.
- ▶ Assurez-vous de l'absence de câbles cachés ou d'autres sources d'électricité dans la zone de travail.

### ▲ AVERTISSEMENT Dangers liés aux objets cachés

En cours de fonctionnement, les tuyaux et câbles cachés constituent une source potentielle de blessures graves.

- ▶ Vérifiez la composition du matériau avant toute utilisation.
- ▶ Faites attention aux câbles et aux tuyaux cachés, comme les tuyaux d'électricité, de téléphone, d'eau, de gaz et les canalisations d'égouts, etc.
- ▶ Si vous pensez avoir touché un objet caché avec l'outil, arrêtez immédiatement la machine.
- ▶ Vérifiez que tout danger est écarté avant de continuer.

### ▲ AVERTISSEMENT Démarrage accidentel

Le démarrage accidentel de la machine peut provoquer des blessures.

- ▶ Gardez les mains bien éloignées du dispositif de marche/arrêt jusqu'au moment de commencer à démarrer la machine.
- ▶ Apprenez à éteindre la machine en cas d'urgence.
- ▶ Relâchez immédiatement le dispositif de marche/arrêt en cas de coupure d'énergie quelconque.
- ▶ À chaque fixation ou retrait de l'outil d'insertion, coupez l'arrivée d'air, purgez la machine en appuyant sur le dispositif de marche/arrêt, puis débranchez la machine de la source d'alimentation.

### ▲ AVERTISSEMENT Danger lié au bruit

Des niveaux de bruit élevés peuvent provoquer une perte d'audition permanente et d'autres problèmes tels que l'acouphène (sonnerie, grondement, sifflement ou bourdonnement dans les oreilles). Afin de réduire les risques et d'éviter une augmentation inutile des niveaux de bruit :

- ▶ L'évaluation des risques de ces dangers et de mise en œuvre de mesures de contrôle appropriées est essentielle.
- ▶ Exploiter et entretenir la machine comme cela est recommandé dans ces instructions.
- ▶ Sélectionner, entretenir et remplacer l'outil d'insertion comme cela est recommandé dans ces instructions.

- ▶ Si la machine dispose d'un silencieux, il faut vérifier qu'il est en place et en bon état de fonctionnement.
- ▶ Toujours utiliser des protections auditives.
- ▶ Utilisez un matériau amortissant afin d'éviter que les pièces « résonnent ».

## Maintenance, précautions

### ▲ AVERTISSEMENT Modifications sur la machine

Toute modification sur la machine peut provoquer des blessures physiques à vous-même ou aux autres.

- ▶ Ne jamais modifier la machine. Toute machine modifiée n'est pas couverte par la garantie ou la responsabilité produits.
- ▶ Utilisez uniquement des pièces détachées, des outils d'insertion et des accessoires d'origine approuvés par Atlas Copco.
- ▶ Remplacez immédiatement les pièces endommagées.
- ▶ Remplacez les éléments ou pièces usés sans attendre.

### ▲ ATTENTION Outil d'insertion brûlant

L'extrémité de l'outil d'insertion devient chaude et affûtée à l'usage. Vous risquez de vous brûler et de vous couper si vous la touchez.

- ▶ Ne touchez jamais un outil d'insertion brûlant ou affûté.
- ▶ Attendez que l'outil d'insertion ait refroidi avant d'effectuer des tâches de maintenance.

### ▲ AVERTISSEMENT Risques liés à l'outil d'insertion

L'actionnement accidentel du dispositif de marche/arrêt en cours d'entretien ou d'installation peut causer des blessures graves, si la source d'alimentation est connectée.

- ▶ Ne jamais inspecter, nettoyer, installer ou déposer l'outil d'insertion avec la source d'alimentation connectée.

## Stockage, précautions

- ◆ Conservez la machine et les outils bien verrouillés, dans un endroit sûr, hors de la portée des enfants.

## Vue d'ensemble

Il convient de lire attentivement la section des consignes de sécurité figurant sur les pages précédentes du présent document avant toute utilisation de la machine, afin de minimiser le risque de blessures graves ou de dommages pouvant entraîner la mort.

## Conception et fonctionnement

Les marteaux perforateurs à pousoir BBC 16W/WS et BBC 34W/WS Atlas Copco intègrent la fonction d'injection d'eau et sont prévus pour des pressions d'air de 4 à 6 bar. Les marteaux perforateurs à pousoir ont été conçu pour les opérations suivantes :

Les marteaux BBC 16W/WS et BBC 34W/WS sont utilisés dans les domaines de la construction et de l'exploitation minière souterraine. Ce sont des marteaux perforateurs à pousoir polyvalents, pour les formations rocheuses dures ou moyennement dures. Toute autre utilisation est interdite.

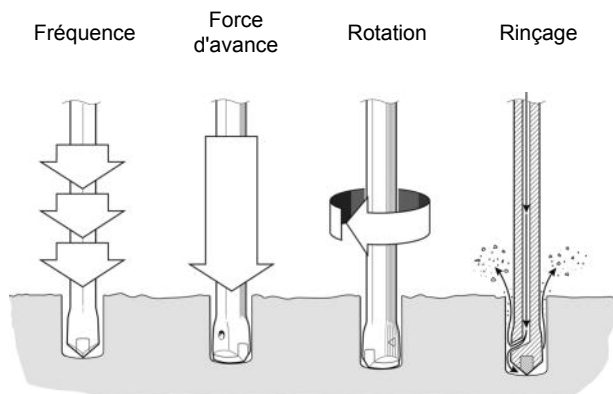
Le support pousoir est là pour aider l'opérateur à soulever et avancer le marteau perforateur pendant le forage. La commande du pousoir est située dans la partie arrière de la tête du marteau-perforateur.

Les machines sont conçues pour s'utiliser avec les pousoirs BMT 51, ALF 71, ALF 71-1 ou ALF 67/80.

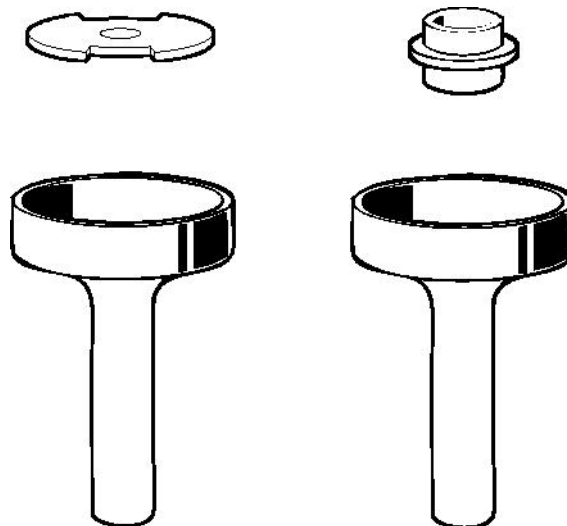
Les marteaux perforateurs à pousoir disposent du rinçage à eau et d'un mécanisme de rotation de l'arbre hélicoïdal. Les marteaux perforateurs à pousoir sont équipés d'une douille porte-fleuret pour un emmanchement hexagonal de 22 mm x 108 mm. Les machines sont équipées d'un raccord de 25 mm (1 in.) pour l'air et d'un raccord de 12,5 mm (½ in.) pour l'eau.

Pour choisir l'outil d'insertion correct, veuillez contacter votre représentant local Atlas Copco.

### Principe de fonctionnement d'un marteau perforateur



### Mécanisme de la vanne de commande

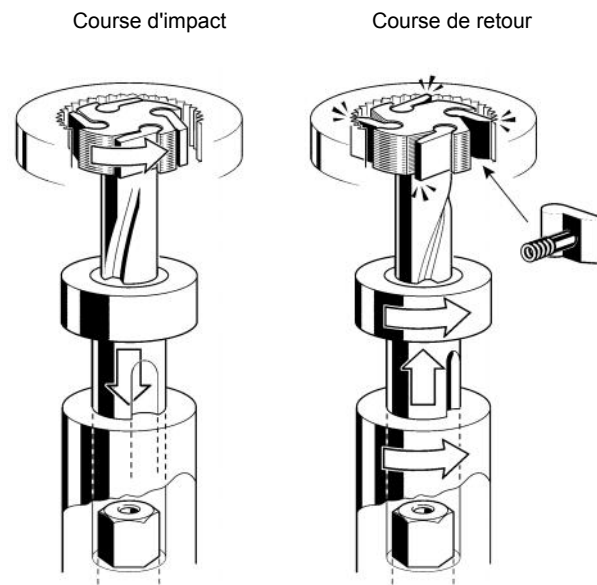


BBC 16W/WS

BBC 34W/WS

La soupape dirige l'air en alternance de chaque côté du piston afin de le faire monter et descendre. Le piston transmet alors l'énergie par le fleuret vers le fond du trou.

### Mécanisme de rotation



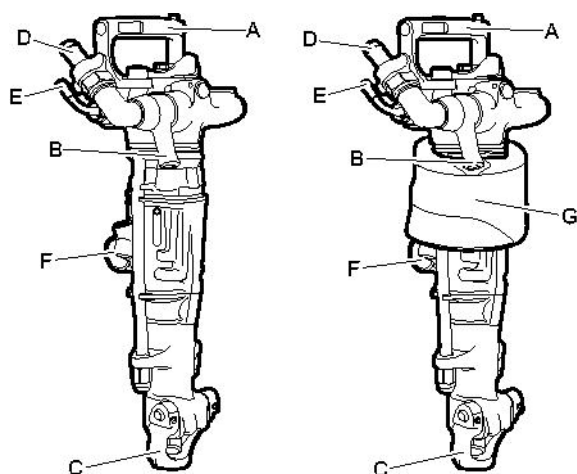
Le marteau-perforateur tourne légèrement à chaque coup engendré par la rotation de l'arbre hélicoïdal. La rotation se fait dans le sens inverse des aiguilles d'une montre et s'effectue lors de la course de retour du piston.

### Rinçage

Le soufflage est assuré via deux tubes concentriques : l'extérieur fournissant l'air et l'intérieur l'eau. Cela signifie que l'air de soufflage est fourni dès que l'air comprimé arrive. Le but étant d'éviter que l'eau

n'entre dans le mécanisme de percussion du marteau perforateur.

## Principales pièces



BBC 16W/34W

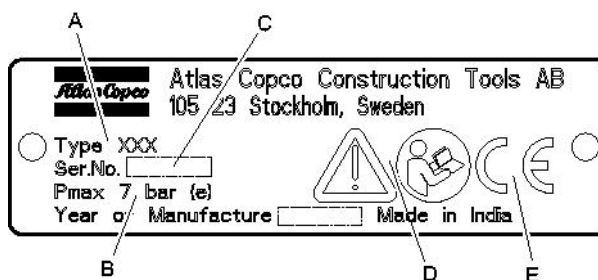
BBC 16WS/34WS

- A. Poignée
- B. Levier de commande
- C. Décaleur du fleuret
- D. Embout de prise d'air
- E. Embout de prise d'eau
- F. Équipement de machine
- G. Silencieux

## Étiquettes

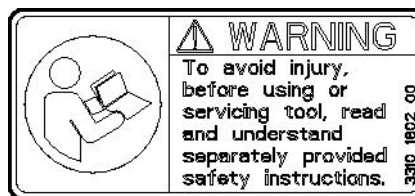
La machine comporte des étiquettes contenant des informations importantes pour la sécurité des personnes et l'entretien de la machine. Les étiquettes doivent être faciles à lire. De nouvelles étiquettes peuvent être commandées en utilisant la liste des pièces détachées.

## Plaque signalétique



- A. Type de machine
- B. Pression d'air comprimé maximale autorisée
- C. Numéro de série
- D. Le symbole « Attention » accompagné du symbole du livre signifie que l'utilisateur doit lire les « Prescriptions de sécurité et instructions pour l'opérateur » avant la première utilisation de la machine.
- E. Le symbole CE indique la conformité de la machine avec les directives applicables. Pour plus d'informations, consultez la déclaration CE de conformité fournie avec la machine. L'absence du symbole CE indique que la machine n'est pas conforme aux directives applicables.

## Étiquette de sécurité



Lire et comprendre les consignes de sécurité fournies séparément avant d'utiliser l'outil ou d'effectuer son entretien, afin d'éviter tout risque de blessures.

## Installation

### Réception et déballage du marteau perforateur

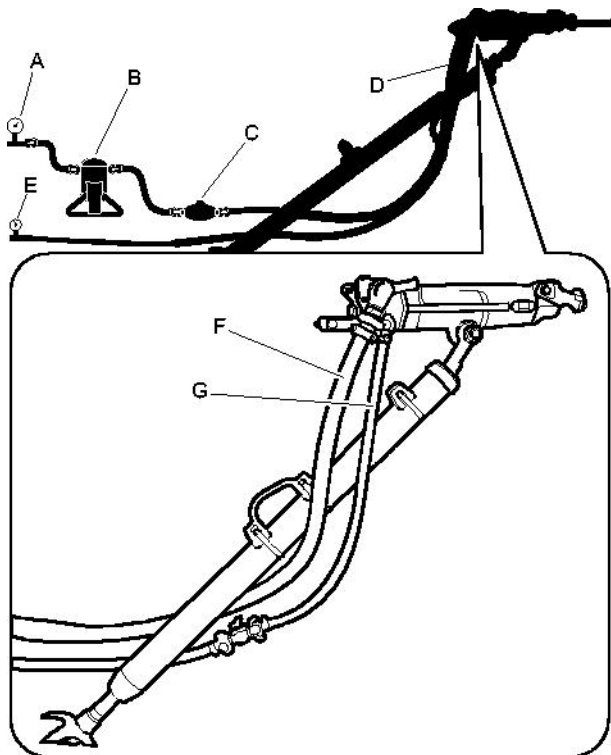
#### Protections en plastique

Avant la première utilisation du marteau perforateur, retirez toutes les protections en plastique des raccords, des orifices de ventilation et du porte-douille.

## Lubrification

Après déballage et installation de l'outil, versez une quantité généreuse d'huile lubrifiée dans la connexion d'air.

## Flexibles et connexions



- A. Source d'air comprimé
- B. Séparateur d'eau, VAM 5A (en option)
- C. Graisseur, BLG 30 ou CLG 30 (en option)
- D. 3 m maximum de flexible d'air comprimé entre le graisseur et la machine.
- E. Eau
- F. Flexible d'air, machine
- G. Tuyau d'eau

- ♦ Vérifiez que vous utilisez la bonne pression de fonctionnement recommandée, 6 bars (e).
- ♦ Ne dépassez pas la pression d'air maximale autorisée pour la machine - 7 bar (e).
- ♦ Éliminez toute impureté du flexible d'air comprimé avant de le brancher à la machine.
- ♦ Sélectionnez un flexible d'air comprimé possédant une dimension et une longueur correctes. Pour les longueurs de flexible allant jusqu'à 30 mètres, il faut utiliser un flexible de diamètre intérieur minimal de 25 mm (1 in.). Si la longueur de flexible est de 30 à 100 mètres, il faut utiliser un flexible de diamètre intérieur minimal de 50 mm (2 in.).

## Mesures de prévention du gel

Le givrage peut se produire dans le silencieux lorsque la température ambiante est de 0 à 10°C (32-50 °F) et que l'humidité relative est élevée.

La machine est conçue pour éviter le givrage dans le silencieux. Cependant, dans des conditions extrêmes, du givre peut se former dans le silencieux.

Les actions suivantes sont mises en oeuvre pour éviter le risque de formation de givre :

- ♦ Utilisez le lubrifiant Rock Drill AIR-OIL d'Atlas Copco comme lubrifiant.
- ♦ Utilisez un séparateur d'eau VAM 5A.

Si le marteau perforateur venait à geler, il ne faut surtout pas le chauffer pour faire fondre la glace. Laissez toujours la glace fondre à température ambiante.

N'utilisez jamais d'alcool dénaturé ou de substances similaires dans le marteau perforateur, car ils interfèrent avec la lubrification et provoquent une usure accélérée.

## Branchement d'un séparateur d'eau

La longueur de l'arrivée d'air entre le compresseur et le séparateur d'eau doit permettre le refroidissement et la condensation de la vapeur d'eau dans le tuyau avant d'atteindre le séparateur d'eau.

Si la température ambiante est inférieure à 0 °C (32 °F), le tuyau doit être suffisamment court pour éviter à l'eau de geler avant d'atteindre le séparateur d'eau.

## Lubrification

Le marteau perforateur est lubrifié avec de l'huile mélangée à l'air comprimé, ainsi apportée aux pièces nécessitant une lubrification continue. Le mélange huile/air comprimé s'effectue à l'aide d'un lubrificateur BLG 30 ou CLG 30 d'Atlas Copco, connecté au circuit pneumatique.

Utilisez le lubrifiant AIR-OIL d'Atlas Copco développé spécialement pour les marteaux perforateurs pneumatiques BBC, BBD et RH. Le lubrifiant AIR-OIL pour marteau perforateur est biodégradable selon OECD 301 et une solidité du film élevée pouvant supporter de fortes charges. Si le lubrifiant AIR-OIL pour marteau perforateur n'est pas disponible, utilisez une huile minérale pour outil pneumatique présentant les caractéristiques recommandées dans le tableau ci-dessous.



Plage de température (°C)	Degré de viscosité (ISO 3448)
-30 à 0	ISO VG 32-68
-10 à +20	ISO VG 68-100
+10 à +50	ISO VG 100-150

## Réglage de pression

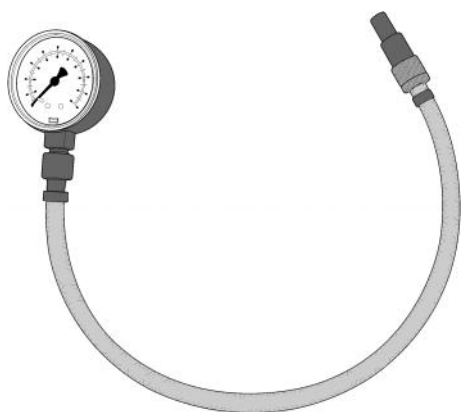
### Pression d'air

Assurez-vous que le compresseur fournit à la machine le volume d'air comprimé requis entre 4 et -6 bar.

1. Une pression trop élevée peut entraîner un dysfonctionnement et endommager l'appareil.
2. Une pression trop basse se traduit par une perte de vitesse lors du forage.

### Étalonner la pression d'air correcte

Utilisez la jauge de pression Atlas Copco (9090 0550 80) pour vérifier la pression d'air pendant le fonctionnement du marteau perforateur. Mesurez la pression à proximité du raccord d'entrée. La pression de service recommandée est de 6 bar.



La jauge de pression est équipée d'une aiguille qu'il convient d'introduire dans le flexible pour mesurer la pression interne.

### Pression d'eau

La pression d'eau doit être inférieure d'au moins 1 bar à la pression d'air, de façon à éviter que l'eau ne pénètre dans le mécanisme d'impact. Par exemple, si la pression d'air est de 6 bars, la pression de l'eau doit être inférieure à 5 bars pour éviter que l'eau ne pénètre dans le mécanisme d'impact.

## Fleuret

### ▲ AVERTISSEMENT Outil d'insertion éjecté

Si la sécurité de l'outil n'est pas verrouillée sur la machine, l'outil d'insertion risque d'être éjecté avec force, et de provoquer des dommages corporels.

- ▶ Avant de changer l'outil d'insertion, arrêtez la machine, coupez l'alimentation d'air comprimé et purgez la machine en activant le dispositif de marche/arrêt.

### Avant de fixer le fleuret

Vérifiez que le diamètre et la longueur de l'emmanchement de l'outil conviennent au porte-fleuret utilisé. L'emmanchement du fleuret doit être propre et l'outil en bon état. Les emmanchements ébréchés, arrondis, avec un défaut d'équerre ou trop durs à leur extrémité ne fonctionneront pas efficacement et provoqueront une défaillance prématurée du piston.

Inspectez le fleuret :

Des fleurets émoussés ralentiront la vitesse du forage et provoqueront une tension excessive sur le mécanisme. Lorsque vous changez les fleurets, vérifiez que vous utilisez un fleuret du même diamètre que celui utilisé lors du dernier forage.

Avant de forer, vérifiez que l'orifice d'injection pratiqué dans le fleuret n'est pas bouché.

### ▲ ATTENTION Outil d'insertion brûlant

L'extrémité de l'outil d'insertion devient chaude et affûtée à l'usage. Vous risquez de vous brûler et de vous couper si vous la touchez.

- ▶ Ne touchez jamais un outil d'insertion brûlant ou affûté.
- ▶ Attendez que l'outil d'insertion ait refroidi avant d'effectuer des tâches de maintenance.

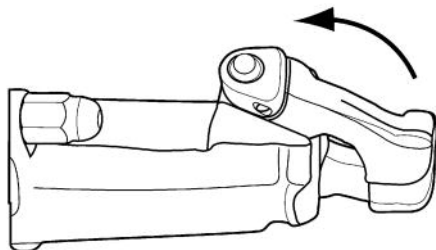
**AVIS** Ne jamais refroidir un outil d'insertion chaud dans l'eau. Ceci peut fragiliser l'outil et entraîner sa rupture prématurée.

### Fixation du fleuret

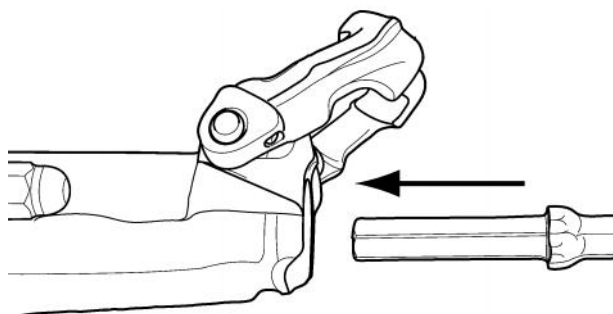
Les instructions suivantes doivent être observées lors de chaque fixation du fleuret :

**Prescriptions de sécurité et instructions pour l'opérateur****BBC 16W, 16WS, 34W, 34WS**

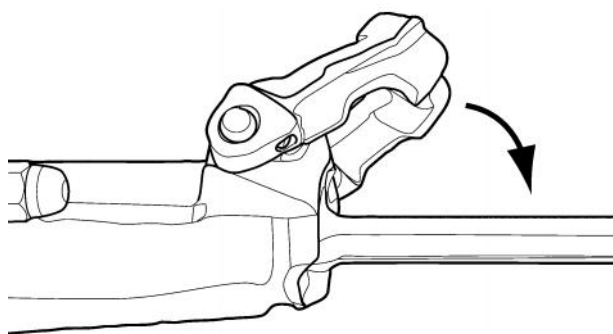
1. Poussez le décaleur vers l'extérieur dans le sens de la flèche, jusqu'à ce que sa partie avant coïncide avec la collerette du fleuret.



2. Insérez le fleuret dans le porte-douille.

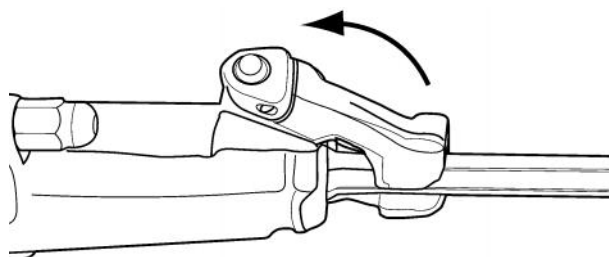


3. Quand le fleuret est en butée, repoussez le décaleur pour le verrouiller.

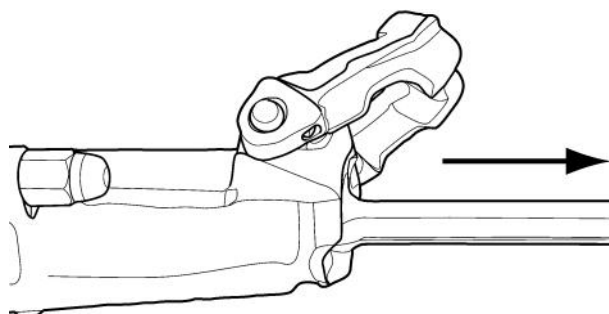
**Retrait du fleuret**

Les instructions suivantes doivent être observées lors de chaque dépose du fleuret :

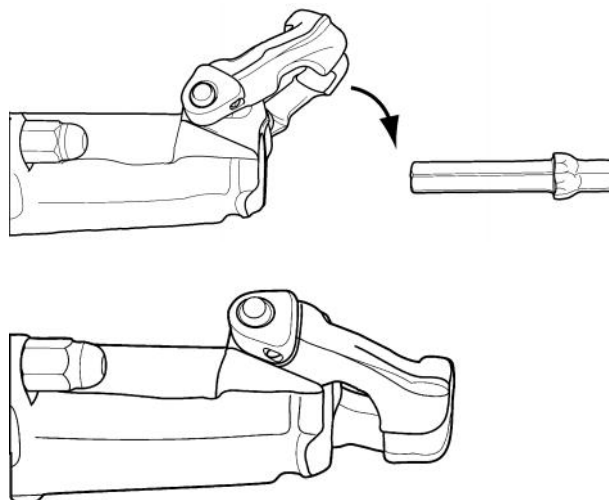
1. Poussez le décaleur vers l'extérieur dans le sens de la flèche jusqu'à ce que la collerette du fleuret se désolidarise de la partie avant du décaleur.



2. Retirez le fleuret en tirant dessus.



3. Refermez le dispositif de retenue.

**Commande****▲ AVERTISSEMENT Démarrage accidentel**

Le démarrage accidentel de la machine peut provoquer des blessures.

- ▶ Gardez les mains bien éloignées du dispositif de marche/arrêt jusqu'au moment de démarrer la machine.
- ▶ Apprenez à éteindre la machine en cas d'urgence.
- ▶ Arrêtez immédiatement la machine en cas de coupure d'énergie quelconque.

## Opérations à effectuer avant la mise en service

### Contrôler l'équipement de forage

- ◆ Vérifiez que l'intégralité de l'équipement de forage est en bon état de marche.
- ◆ Vérifiez que la surface d'impact de l'emmanchement du fleuret est bien plate et sans traces d'usure.
- ◆ Assurez-vous que l'arrivée d'air et les ports d'échappement ne sont pas obstrués.
- ◆ Vérifiez que les orifices d'injection/soufflage du fleuret et le foret ne sont pas bouchés et que l'air ou l'eau circulent sans obstruction.
- ◆ Assurez-vous que le filtre à air (situé dans le raccord d'alimentation en air comprimé) est bien propre, sans pliure ni torsion.
- ◆ Assurez-vous que tous les raccords sont bien serrés et étanches.

### ▲ DANGER Coup de fouet d'un flexible pneumatique

Un flexible d'air comprimé qui se détache risque de fouetter dans tous les sens et de provoquer des dommages corporels ou la mort

- ▶ Vérifiez que le flexible d'air comprimé et les raccords ne sont pas endommagés.
- ▶ Vérifiez que les raccords d'air comprimé sont correctement fixés.

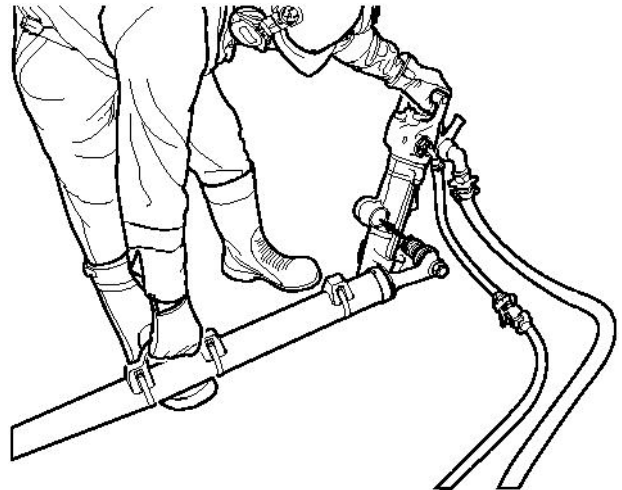
### Purger le flexible à air

- ◆ Purgez le flexible à air chaque jour avant d'utiliser le marteau perforateur pour éliminer l'humidité et les saletés accumulées.

### Remplissez le lubrificateur d'huile

- ◆ Vérifiez que le porte-fleuret et le fleuret soient toujours couverts d'un film d'huile.

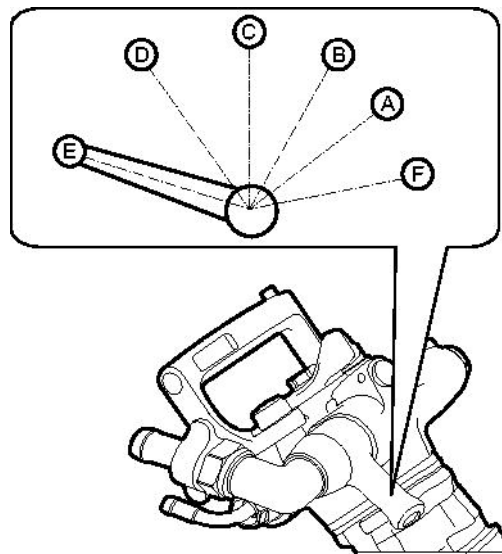
### Fixez le poussoir sur le marteau perforateur



Le poussoir doit être fixé sur le marteau perforateur à l'aide du raccord à baïonnette.

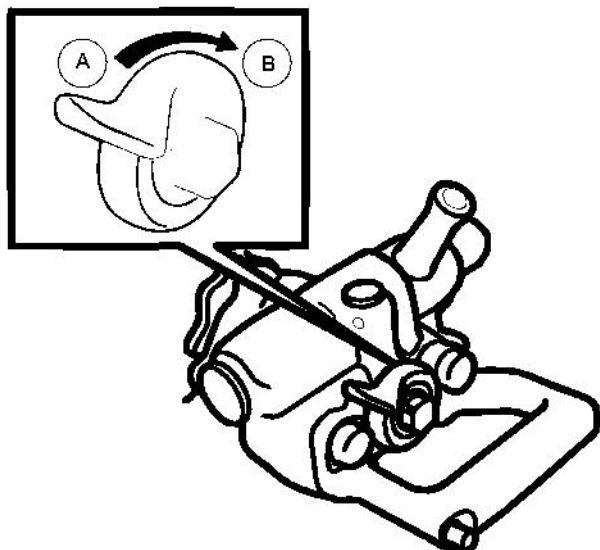
## Commandes

### Levier de commande



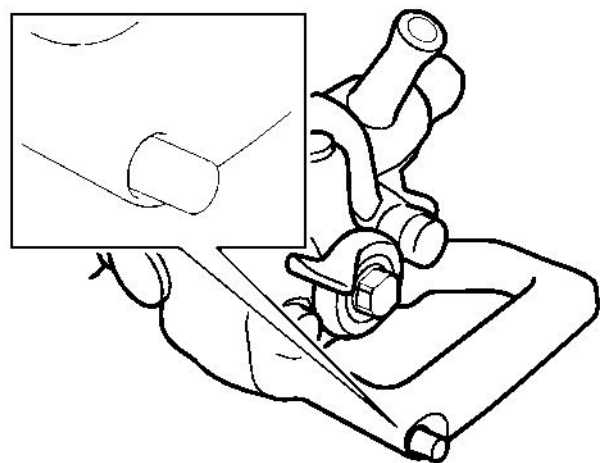
Le marteau perforateur est équipé d'un levier de commande qui permet de réguler le débit d'air comprimé et d'eau de soufflage dans le mécanisme de percussion.

- A. Soupape d'accélérateur fermée (position arrêt). Uniquement soufflage.
- B. Air vers le poussoir.
- C. Eau de soufflage.
- D. Air dans le mécanisme de percussion.
- E. Levier d'accélérateur ouvert à fond (accélération maxi).
- F. Injection supplémentaire.

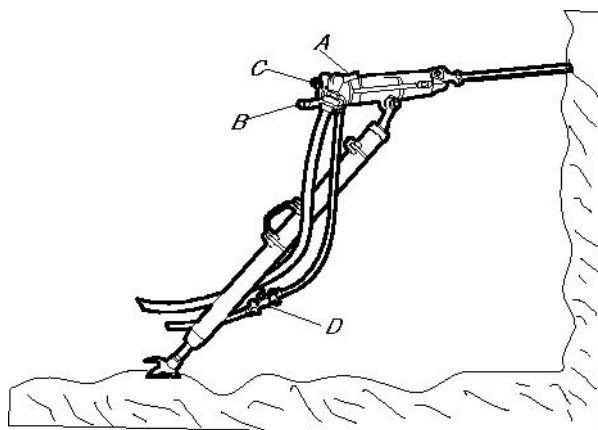
**Levier de commande d'avance**

Réglez la force d'avance à l'aide du levier de commande d'avance de la manière suivante :

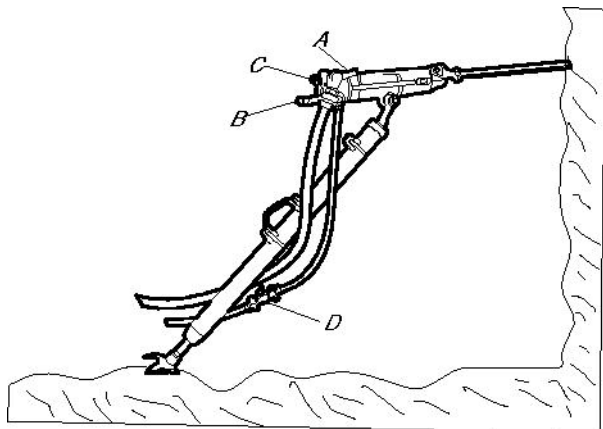
- ◆ Tournez le levier dans le sens inverse des aiguilles d'une montre (B) pour augmenter la force d'avance.
- ◆ Tournez le levier dans le sens contraire des aiguilles d'une montre (A) pour réduire la force d'avance.
- ◆ Quand le bouton de commande d'avance est en position fermée (A), le poussoir est ventilé.

**Bouton de soupape**

Quand la goupille de la soupape est enfoncée, la force d'avance s'arrête brusquement, annulant les réglages du bouton de commande d'avance. La tige du piston dans le poussoir se rétracte automatiquement. Cette fonction sert, par exemple, pour régler la taille de la perforatrice lors du montage du poussoir ou lorsque l'ensemble a tendance à bloquer. Lorsque l'axe du clapet est enfoncé, le réglage du contrôle d'avance est à nouveau activé.

**Marche/arrêt****Démarrage du marteau perforateur**

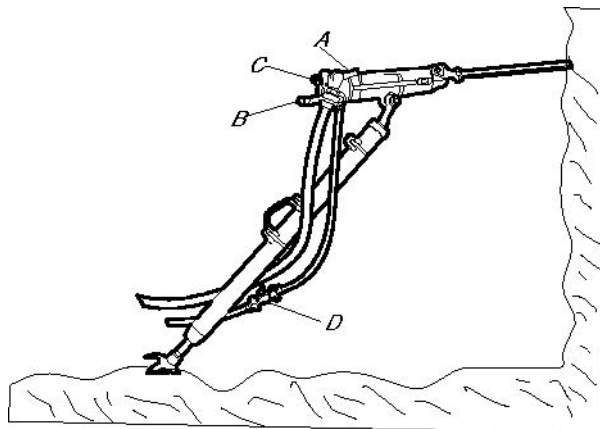
1. Ouvrez la vanne principale d'arrivée d'air comprimé.
2. Ouvrez le robinet (D) pour l'eau de rinçage.
3. Réglez le levier de commande d'avance (C) pour appliquer une force de poussée suffisante pour amorcer le trou.
4. Alignez le marteau perforateur de façon à ce que le fleuret touche le point d'amorçage souhaité.
5. Poussez légèrement le levier de commande (A) vers l'avant pour activer le dispositif d'injection d'eau, de percussion et de rotation.
6. Amorcez le trou avec une force de poussée réduite.
7. Poussez le levier de commande (A) à fond vers l'avant une fois que le fleuret a trouvé une base sûre dans la roche.
8. Réglez la force d'avance à l'aide du levier de commande d'avance (C) de façon à obtenir un taux de pénétration maximum.

**Arrêt du marteau perforateur**

1. Tirez le levier de commande (A) vers l'arrière pour arrêter la percussion, la rotation et le dispositif d'injection d'eau.
2. Tournez le levier de commande (C) de façon à le mettre sur la position fermée.

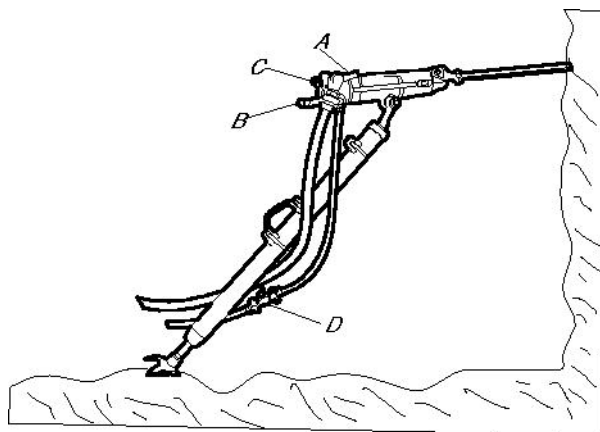
**Utilisation****Forage**

- ◆ Utilisez des chaussures, des gants et un casque de sécurité, une protection auditive ainsi que des protecteurs oculaires résistants aux chocs avec protection latérale.
- ◆ Restez bien droit et maintenez toujours la machine avec les deux mains.
- ◆ Maintenez fermement l'outil d'insertion contre la surface à travailler avant de démarrer la machine.

**Re-positionnement du poussoir**

1. Arrêtez la percussion du marteau-perforateur et le dispositif d'injection d'eau à l'aide du levier de commande (A).
2. Pressez la goupille de la soupape (B), sur quoi la tige de piston se rétracte automatiquement dans le cylindre du poussoir.
3. Re-positionnez le poussoir.
4. Relâchez l'axe du clapet (B), ce qui a pour effet de libérer la tige du piston.
5. Placez le levier sélecteur (A) vers l'avant en position de travail.

Le bouton de commande de l'avance (C) n'a pas besoin d'être manipulé lors du fonctionnement.

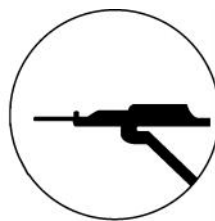
**Rincer le trou foré**

Si le rinçage du trou foré est requis :

- 1) Tirez le levier de commande (A) vers l'arrière en position de butée, sur la position d'injection supplémentaire (voir « Commandes »), ce qui entraîne l'arrêt de la machine. Cette opération peut s'effectuer en cours de forage.
- 2) Une fois que le trou foré est propre, poussez de nouveau le levier de commande (A) à fond vers l'avant, pour redémarrer la machine.

## Lors des pauses

- ◆ Posez le marteau perforateur sur une pierre, une planche de bois ou un objet similaire, pour éviter d'abîmer l'outil et éviter que des corps étrangers ne pénètrent dans le porte-douille.
- ◆ Coupez la pression d'eau avant de couper l'air comprimé. Faites fonctionner le marteau-perforateur pendant quelques secondes pour évacuer l'eau et l'humidité, une fois l'eau coupée.



1985 5123 45

## Maintenance

Une maintenance régulière est une condition fondamentale pour que la machine reste un outil sûr et efficace. Respectez soigneusement les instructions d'entretien.

- ◆ Avant de commencer l'entretien de la machine, nettoyez-la afin d'éviter toute exposition aux substances dangereuses. Voir « Dangers liés aux poussières et aux fumées ».
- ◆ N'utilisez que des pièces de rechange autorisées. Aucun dommage ou mauvais fonctionnement dû à l'utilisation de pièces non autorisées n'est couvert par la garantie ou la responsabilité produits.
- ◆ Lors du nettoyage des pièces mécaniques avec un solvant, assurez-vous que vous respectez bien les normes de sécurité et de santé et que la ventilation est suffisante.
- ◆ Pour un entretien plus complet de la machine, contactez l'atelier homologué le plus proche.
- ◆ Après chaque service, vérifiez que le niveau de vibrations de la machine est normal. Sinon, contactez votre atelier agréé le plus proche.

## Différences entre les pièces d'origine et les pièces copiées

Lorsque vous achetez une pièce, la première chose à faire est de vérifier qu'il s'agit bien d'une pièce de la marque Atlas Copco. La plupart des pièces peuvent être identifiées.

Les pièces pour marteau perforateur sont normalement marquées d'un numéro de pièce et de la marque d'identification d'Atlas Copco : un marteau perforateur entouré d'un cercle. Plus rarement, la pièce est uniquement marquée du cercle ou du numéro de pièce.

Les pièces en plastique ou en caoutchouc ne sont normalement pas marquées.

Les concurrents qui copient nos pièces marquent souvent des pièces plus onéreuses. Certaines pièces indiquent uniquement un numéro de série, mais certaines présentent aussi une marque d'identification sous la forme des initiales du nom du fabricant. Les numéros de pièces sur les pièces génériques sont généralement marqués à la main, montrant des irrégularités. Les numéros de pièces marquées par Atlas Copco sont réguliers et les chiffres sont tous de la même taille. De plus, la profondeur de ces chiffres, tout comme l'espace qui les sépare, sont les mêmes.

## Chaque jour

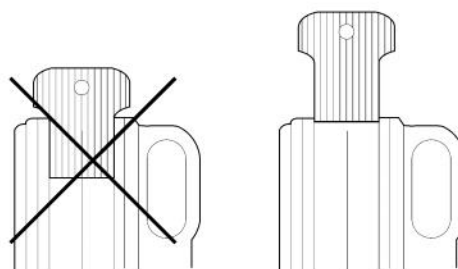
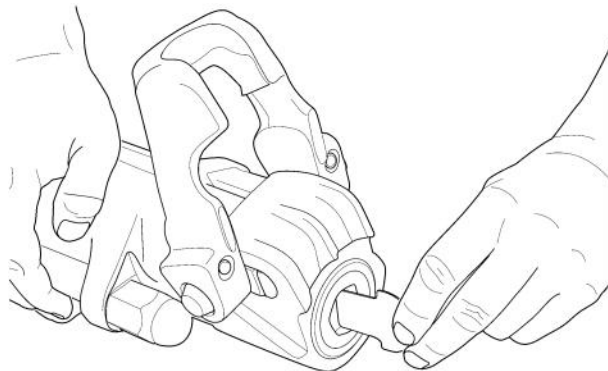
Avant d'entreprendre une tâche de maintenance ou de changer un outil d'insertion d'une machine pneumatique, coupez toujours l'arrivée d'air et purgez la machine en appuyant sur le dispositif de marche/arrêt. Débranchez ensuite le flexible pneumatique de la machine.

- ◆ Nettoyez et inspectez la machine et ses fonctionnalités chaque jour, avant son utilisation.
- ◆ Effectuez une inspection générale des fuites et dommages.
- ◆ Vérifiez que l'embout de prise d'air est bien serré et que le raccord décaleur n'est pas endommagé.
- ◆ Contrôlez le fonctionnement de la poignée de gaz. Assurez-vous qu'elle se déplace librement de haut en bas.
- ◆ Contrôlez le fonctionnement du décaleur. Assurez-vous qu'il verrouille le fleuret.
- ◆ Remplacez immédiatement les pièces endommagées.
- ◆ Remplacez les éléments ou pièces usés sans attendre.

- ◆ Contrôlez les tirants de la machine. Assurez-vous qu'ils sont bien serrés.
- ◆ Si la machine dispose d'un silencieux, il faut vérifier qu'il est en bon état de fonctionnement.

## Contrôle de l'usure

1. Vérifiez l'usure de la douille porte-fleuret à l'aide du calibre Atlas Copco (**3091 0038 00**) (22 mm).  
Si la limite d'usure a été dépassée, l'emmanchement du fleuret s'usera plus rapidement, ou se déformera. Cela risque de provoquer des incidents et d'augmenter l'usure du fleuret.



2. Vérifiez que les écrous de tirant (A) sont bien serrés. Le couple appliqué doit être de 130 Nm.



3. Vérifiez le raccordement du marteau-perforateur au poussoir.
4. Vérifiez l'état des flexibles, des raccords et des commandes afin de vous assurer qu'ils ne présentent ni traces de fuite ou de détérioration.

**Prescriptions de sécurité et instructions pour l'opérateur****BBC 16W, 16WS, 34W, 34WS**

5. Vérifiez que le marteau-perforateur et le poussoir sont correctement lubrifiés. Remplissez le lubrificateur si nécessaire.
  6. Purgez le séparateur d'eau.
  7. Contrôlez la pression d'air et la pression d'eau. Assurez-vous que la pression de l'eau est inférieure d'au moins 1 bar à celle de l'air.
- Protégez le porte-fleuret à l'aide du cache en plastique fourni avec l'appareil. Le cas échéant, utilisez un bouchon de bois ou un morceau propre de bourre de coton.
  - En cas de stockage de longue durée, appliquez une certaine quantité d'huile directement sur les entrées d'air de la perforatrice puis activez brièvement l'air. Cette mesure protégera la machine contre la corrosion.

**Maintenance périodique**

Après chaque période d'utilisation d'environ 100 heures, ou trois fois par an, la machine doit être démontée et toutes les pièces nettoyées et examinées. Ce travail doit être effectué par du personnel autorisé et formé à cette tâche.

**Types de dégâts**

Les pièces usées ou cassées doivent toujours être examinées attentivement avant d'être mises au rebut. Elles peuvent donner des informations importantes sur l'état du marteau perforateur et sur la façon dont il est utilisé et entretenu.

Symptôme	Cause
Les pièces en acier sont bleuées	Les pièces ont été exposées à une température excessive. Cela peut être dû à une lubrification insuffisante ou à un fonctionnement au ralenti
Les pièces métalliques présentent des fissures quasi microscopiques sur les surfaces d'usure	Voir ci-dessus
Les pièces en bronze présentent des irrégularités en surface	Voir ci-dessus
Rayures	Dégâts secondaires L'intérieur du perforateur est sale
	Mauvais alignement intérieur provoqué par une tension inégale des boulons latéraux

**Stockage**

- Lubrifiez systématiquement le marteau perforateur avant de le ranger.
- Stockez toujours la machine dans un endroit propre et sec.
- Assurez-vous qu'aucun corps étranger ne pénètre dans l'appareil.

**Destruction d'une machine usagée**

Toute machine usagée doit être traitée et détruite de telle manière que la plus grande partie des matériaux puisse être recyclée et que tout impact négatif sur l'environnement soit aussi faible que possible, et conformément aux réglementations locales.



## Caractéristiques techniques

### Recherche de pannes

Symptôme	Cause	Solution
Diminution du taux de pénétration	Fuites d'air au niveau des flexibles ou des raccords	Changez les joints et, le cas échéant, changez les pièces dans le papillon de pénétration.
	Fuite du tiroir de distribution (valve d'inversion)	Rectifiez le tiroir de distribution de sorte qu'il se ferme de manière étanche
	Douille de rotation	Examinez la douille porte-fleuret à l'aide du calibre <sup>1</sup> pour détecter une éventuelle usure. La limite d'usure acceptable est atteinte quand le gabarit peut être enfoncé suffisamment profondément entre les deux côtés opposés de l'orifice hexagonal pour que ses bords touchent la douille
	Fuite d'air due à un piston ou un cylindre usé	Changez le piston et/ou le cylindre
	Fuite d'air due à un guide de pilote/pièce intermédiaire usé	Remplacez la pièce usée
	Givrage dans le silencieux	Laissez la glace fondre à température ambiante
Puissance d'alimentation insuffisante	Garniture de la tige de piston usée ou déformée	Changez le joint
Rotation insuffisante	Le filetage de l'écrou de rotation est usé	Remplacez l'écrou de rotation si le filetage est usé
	Filetage sur l'arbre hélicoïdal usé	Remplacez l'arbre hélicoïdal si nécessaire
	Cannelures du piston usées	Remplacez le piston si nécessaire
	La denture du rochet est usée	Remplacez le rochet si son barillet est tellement usé que les cliquets accrochent mal
	La denture du rochet est usée	Remplacez la roue du rochet si sa denture est tellement usée que les cliquets accrochent mal.
	L'écrou de guidage est usé	Remplacez l'écrou de guidage si le filetage est usé ½ de la largeur du filetage
	Cliquets usés	Remplacez tous les cliquets, tous les ressorts de cliquets et toutes les goupilles
Course irrégulière	Le piston se coince dans la pièce intermédiaire ou dans le guide du piston	Changez la pièce intermédiaire/guide du piston. Si nécessaire, polissez le piston. Vérifiez la présence de dégâts dus à la chaleur, tels qu'une coloration bleue et/ou des fissures. Si c'est le cas, remplacez le piston aussi
	Le tiroir de distribution est sale ou endommagé. Ceci est dû à la pénétration dans le marteau perforateur d'impuretés ou de corps étrangers contenus dans l'air comprimé	Nettoyez et polissez la valve afin qu'elle adhère aux surfaces d'étanchéité planes et cylindriques correspondantes. Si les dommages sont vraiment trop importants, remplacez la valve
	Gel. Ceci est dû à une fuite dans le système de soufflage, à un excès d'eau dans l'air comprimé ou à une pression d'eau excessive <sup>2</sup>	Vérifiez les tubes de soufflage, les joints et la pression de l'eau <sup>2</sup> . Purgez l'eau du système d'air comprimé. Si le problème persiste, installez un séparateur d'eau dans le système des conduites d'eau
Frappe irrégulière (suite)	Les boulons d'assemblage sont mal serrés ou serrés irrégulièrement. Peut provoquer la perte d'alignement de plusieurs pièces, causant le grippage des pièces mobiles. Des efforts anormaux sur les boulons latéraux peuvent provoquer la rupture au niveau des filetages.	Vérifiez et réparez les dégâts aux points de contact et serrez les boulons, au couple de serrage correct
Usure anormale de la douille de rotation	Lubrification insuffisante (Peut provoquer des dégâts secondaires)	Vérifiez la douille porte-fleuret à l'aide du calibre conçue spécialement à cet effet <sup>1</sup> . La limite d'usure maximale tolérée a été atteinte quand la jauge <sup>1</sup> , insérée entre les deux surfaces planes opposées, touche le fond. Contrôlez la pression d'eau <sup>2</sup> - elle doit être inférieure à celle de l'air <sup>2</sup> .

## Prescriptions de sécurité et instructions pour l'opérateur

BBC 16W, 16WS, 34W, 34WS

Symptôme	Cause	Solution
Le marteau perforateur chauffe	Manque d'huile	Ajoutez de l'huile et vérifiez qu'elle circule bien. Il ne suffit pas d'avoir de l'huile dans l'évacuation d'air. L'emmanchement du fleuret doit aussi présenter un revêtement d'huile. Vérifiez que le graisseur est bien connecté dans la bonne direction.
Gel	Humidité dans l'air comprimé	Utilisez des séparateurs d'eau
	Pression d'eau supérieure <sup>2</sup> à la pression d'air	Réduisez la pression d'eau
Rupture de la conduite d'eau	Désalignement de l'emmanchement de fleuret	Changez le fleuret, le porte-fleuret ou les deux
	Trou de rinçage endommagé dans l'emmanchement du fleuret	Changez le fleuret
Extrémité du piston ébréchée	Désalignement de l'emmanchement de fleuret	Changez le fleuret, le porte-fleuret ou les deux
	Usure excessive de l'extrémité du piston	Changez le piston
Défaillance des clavettes	Manque de lubrification	Réduisez la pression d'eau <sup>2</sup> si elle est supérieure ou égale à celle de l'air
		Augmentez la lubrification ou changez l'huile
	Pénétration de saletés (spécialement lors du forage vers le haut)	Effectuez des révisions plus régulières
Défaillance du piston	Manque de lubrification	Réduisez la pression de l'eau si elle est supérieure ou égale à celle de l'air
		Augmentez la lubrification ou changez l'huile
	Tension inégale des boulons latéraux	Serrez correctement les boulons
	Pièce intermédiaire/guide du piston usé (peut être confirmé par le test du coussin)	Changez la pièce usée
Défaillance des boulons latéraux	Tension initiale aux boulons	Serrez correctement les boulons

<sup>1</sup> Calibre pour emmanchement hexagonal de la douille de rotation de 22 mm ( 7/8") Atlas Copco N° 3091 0038 00.

<sup>2</sup> Utilisez la jauge de pression Atlas Copco N° 9090 0550 80 pour vérifier la pression d'eau et d'air.

## Caractéristiques de la machine

Type	No de référence	Alésage du piston mm (in.)	Course mm (in.)	Longueur totale mm (in.)	Poids kg (lb)	Dimension de l'emmanchement d'outil mm (in.)
BBC 16W	8311 0401 10	70 (2¾)	55 (2½)	710 (28)	26.0 (57.3)	22 X 108 (7/8 x 4¼)
BBC 16WS	8311 0303 46	70 (2¾)	55 (2½)	710 (28)	27.0 (59.5)	22 X 108 (7/8 x 4¼)
BBC 34W	8311 0408 05	80 (3½)	70 (2¾)	775 (30½)	31.0 (68.3)	22 X 108 (7/8 x 4¼)
BBC 34WS	8311 0303 47	80 (3½)	70 (2¾)	775 (30½)	32.0 (70.5)	22 X 108 (7/8 x 4¼)

Type	Consommation d'air (6 bar) l/s (foot <sup>3</sup> /min)	Fréquence de frappe (6 bar) Hz	Diamètre de foration mm (in.)	Diamètre du trou d'alésage mm (in.)
BBC 16W	69 (146)	39	27-41 (1-1.6)	≤76 (≤3)
BBC 16WS	69 (146)	39	27-41 (1-1.6)	≤76 (≤3)
BBC 34W	88 (186)	38	27-41 (1-1.6)	≤76 (≤3)
BBC 34WS	88 (186)	38	27-41 (1-1.6)	≤76 (≤3)

## Énoncé déclaratif sur les vibrations et le bruit

Niveau de puissance acoustique garanti **L<sub>w</sub>** selon la norme ISO 3744 conformément à la directive 2000/14/CE.

Niveau de pression acoustique **L<sub>p</sub>** selon la norme ISO 11203.

Niveau des vibrations **A** et incertitude **B** selon la norme ISO 5349-2. Veuillez consulter le tableau « Données relatives au bruit et aux vibrations » pour les valeurs A, B, etc.

Ces valeurs déclarées ont été obtenues à l'issue de tests de type effectués en laboratoire conformément à la directive ou aux normes énoncées et peuvent être comparées aux valeurs déclarées pour d'autres outils testés conformément aux mêmes directives ou normes. Ces valeurs déclarées ne sont pas appropriées pour l'utilisation dans les évaluations de risques et les valeurs mesurées dans différents lieux de travail peuvent être plus élevées. Les valeurs d'exposition et le risque de blessure pour un utilisateur particulier sont uniques et dépendent de la façon dont il travaille, du matériel sur lequel la machine est utilisée, ainsi que de la durée d'exposition, de l'état physique de l'utilisateur et de l'état de la machine.

Atlas Copco Construction Tools AB, ne peut être tenu pour responsable des conséquences d'une utilisation des valeurs déclarées à la place des valeurs correspondant à l'exposition réelle, dans le cadre d'une évaluation des risques sur un lieu de travail dont nous ne maîtrisons aucun élément.

L'utilisation de cet outil peut entraîner l'apparition du syndrome de vibration du système main-bras si elle n'est pas effectuée de manière adéquate. Vous trouverez guide publié par l'UE sur les vibrations transmises à la main et au bras à l'adresse <http://www.humanvibration.com/EU/VIBGUIDE.htm>

Nous recommandons un programme de contrôle médical pour détecter par avance les symptômes éventuellement liés à l'exposition aux vibrations, afin de permettre la modification des procédures de gestion et la prévention des infirmités futures.

## Données relatives au bruit et aux vibrations

	Bruit		Vibration	
	Valeurs déclarées		Valeurs déclarées	
	Pression acoustique	Puissance acoustique	Valeurs triaxiales	
	ISO 11203	ISO 15744	ISO 5349-2	
Type	L <sub>p</sub> r=1m dB(A) rel 20µPa	L <sub>w</sub> garanti dB(A) rel 1pW	A m/s <sup>2</sup> valeur	B m/s <sup>2</sup> étalé
BBC 16W	111	122	16.6	-
BBC 16WS	103	114	16.6	-
BBC 34W	116	127	20.4	-
BBC 34WS	109	120	20.4	-

## Accessoires

Description	Remarque	Nombre	Référence
CLG 30, type européen	Pour huile minérale et huile synthétique	1	8202 5102 39
BLG 30, type européen	Pour huile minérale	1	8202 5102 05
VAM 5A, type européen	Débit d'air <120 l/s (254 ft <sup>3</sup> /min)	1	8092 0110 82
Flexible caoutchouc, prémonté	25 mm (1 in.), 3 m (10 ft)	1	9030 2051 00
Flexible plat X-LITE, universel	25 mm (1 in.), 20 m (65 ft)	1	9030 2111 00
Lubrifiant AIR-OIL pour marteau perforateur	10 l	1	8099 0201 10
Lubrifiant AIR-OIL pour marteau perforateur	208 l	1	8099 0201 28

## Poussoirs

Type	No de référence	Adapté pour le marteau perforateur	Longueur d'avance mm	Longueur rétractée mm	Longueur étendue mm	Poids kg	Alésage du piston mm
<b>Lunette unique</b>							
BMT 51	8321 0301 01	BBC 16W/WS, BBC 34W/WS	1300	1658	2958	15	60
ALF 71	8321 0201 94	BBC 16W/WS, BBC 34W/WS	1300	1805	3105	14	70
ALF 71-1	8321 0201 95	BBC 16W/WS, BBC 34W/WS	950	1455	2405	13	70
<b>Lunette double</b>							
ALF 67/80	8321 0201 85	BBC 16W/WS, BBC 34W/WS	1855	1495	3350	17	67/80

## Déclaration CE de conformité

### Déclaration CE de conformité (Directive 2006/42/CE)

Nous, Atlas Copco Construction Tools AB, déclarons par la présente que les machines énumérées ci-dessous sont conformes aux dispositions de la directive européenne 2006/42/CE (directive « Machines »), et des normes harmonisées mentionnées ci-dessous.

Poussoirs de perforateur	No de référence	Pmax (bar)
BBC 16W	8311 0401 10	7
BBC 16WS	8311 0303 46	7
BBC 34W	8311 0408 05	7
BBC 34WS	8311 0303 47	7

**Représentant agréé de la documentation technique :**

Erik Sigfridsson  
Atlas Copco Construction Tools AB  
Dragonvägen 2  
Kalmar

**Directeur général :**

Erik Sigfridsson

**Fabricant :**

Atlas Copco Construction Tools AB  
105 23 Stockholm  
Sweden

**Lieu et date :**

Kalmar, 2010-01-01

## DEUTSCH

## Inhalt

Einleitung.....	57
Informationen zu den Sicherheitshinweisen und der Betriebsanleitung.....	57
<b>Sicherheitshinweise.....</b>	<b>58</b>
<b>Sicherheits-Signalworte.....</b>	<b>58</b>
<b>Personliche Vorsichtsmaßnahmen und Qualifikationen.....</b>	<b>58</b>
Schutzausrüstung.....	58
Drogen, Alkohol oder Medikamente.....	58
<b>Installation, Vorsichtsmaßnahmen.....</b>	<b>58</b>
<b>Betrieb, Vorsichtsmaßnahmen.....</b>	<b>59</b>
<b>Wartung, Vorsichtsmaßnahmen.....</b>	<b>63</b>
<b>Lagerung, Vorsichtsmaßnahmen.....</b>	<b>63</b>
<b>Übersicht.....</b>	<b>64</b>
<b>Konstruktion und Funktion.....</b>	<b>64</b>
Arbeitsprinzip eines Bohrhammers.....	64
Kontrollventilmechanismus.....	64
Rotationsmechanismus.....	64
Spülung.....	64
<b>Hauptkomponenten.....</b>	<b>65</b>
<b>Etiketten.....</b>	<b>65</b>
Typenschild.....	65
Sicherheitsschild.....	65
<b>Installation.....</b>	<b>65</b>
<b>Auspacken des Bohrhammers.....</b>	<b>65</b>
Kunststoffabdeckungen.....	65
Schmieren.....	65
<b>Schläuche und Anschlüsse.....</b>	<b>66</b>
<b>Methoden zur Vermeidung von Einfrieren.....</b>	<b>66</b>
<b>Anschließen eines Wasserabscheiders.....</b>	<b>66</b>
<b>Schmierung.....</b>	<b>66</b>
<b>Druckeinstellung.....</b>	<b>67</b>
Luftdruck.....	67
Den richtigen Luftdruck einstellen.....	67
Wasserdruck.....	67
<b>Bohrstahl.....</b>	<b>67</b>
Vor dem Einsetzen des Bohrstahls.....	67
Einsetzen des Bohrstahls.....	67
Entnehmen des Bohrstahls.....	68
<b>Betrieb.....</b>	<b>68</b>
<b>Vorbereitungen vor der Inbetriebnahme.....</b>	<b>69</b>
Prüfen der Bohrausrüstung.....	69
Ausblasen des Luftschlauchs.....	69
Schmiervorrichtung mit Öl füllen.....	69
Anbringen der Vorschubstütze am Bohrhammer.....	69
<b>Bedienelemente.....</b>	<b>69</b>
Drosselhebel.....	69
Vorschubhebel.....	70
Ventilstift.....	70
<b>Start und Stopp.....</b>	<b>70</b>
Starten des Bohrhammers.....	70
Anhalten des Bohrhammers.....	71
<b>Betrieb.....</b>	<b>71</b>

Bohren.....	71
Neupositionieren der Vorschubstütze.....	71
Ausblasen des Bohrlochs.....	71
<b>Einlegen von Pausen.....</b>	<b>72</b>
<b>Wartung.....</b>	<b>72</b>
<b>Unterschiede zwischen Originalersatzteilen und baugleichen Ersatzteilen.....</b>	<b>72</b>
<b>Täglich.....</b>	<b>72</b>
<b>Prüfen auf Abnutzung.....</b>	<b>73</b>
<b>Regelmäßige Wartung.....</b>	<b>74</b>
<b>Schadensmuster.....</b>	<b>74</b>
<b>Lagerung.....</b>	<b>74</b>
<b>Entsorgung.....</b>	<b>74</b>
<b>Technische Daten.....</b>	<b>75</b>
<b>Fehlersuche.....</b>	<b>75</b>
<b>Maschinendaten.....</b>	<b>76</b>
<b>Angaben zu Geräuschemission und Vibration.....</b>	<b>77</b>
<b>Angaben zu Geräuschemission und Vibration.....</b>	<b>77</b>
<b>Zubehör.....</b>	<b>77</b>
<b>Vorschubstützen.....</b>	<b>78</b>
<b>EG-Konformitätserklärung.....</b>	<b>79</b>
<b>EG-Konformitätserklärung (EG-Richtlinie 2006/42/EG).....</b>	<b>79</b>





## Einleitung

Wir danken Ihnen für die Wahl eines Produkts von Atlas Copco! Seit 1873 sind wir bestrebt, die Wünsche und den Bedarf unserer Kunden optimal zu decken. Unsere innovativen und ergonomischen Produktlösungen dienen der Kostensenkung und somit der besseren Rentabilität der Unternehmenstätigkeit des Kunden.

Atlas Copco verfügt mit seinen Kundenzentren und Vertragshändlern weltweit über ein umfangreiches Vertriebs- und Servicenetz. Unsere Fachleute sind Spezialisten mit umfassenden Produktkenntnissen und Anwendungserfahrungen. Wir bieten unseren Kunden Service und Know-how in allen Teilen der Welt, um optimale Betriebseffizienz zu gewährleisten.

Besuchen Sie gern unsere Website für weitere Informationen:

[www.atlascopco.com](http://www.atlascopco.com)

Atlas Copco Construction Tools AB

105 23 Stockholm

Sweden

## Informationen zu den Sicherheitshinweisen und der Betriebsanleitung

Ziel dieser Anleitung ist es, Sie mit der sicheren und effizienten Bedienung des Bohrhammers vertraut zu machen. Die Anleitung enthält auch Hinweise zur Durchführung regelmäßiger Wartungsarbeiten am Bohrhammer.

Lesen Sie bitte diese Anleitung vor der ersten Benutzung des Bohrhammers genau durch.

## Sicherheitshinweise

Lesen Sie bitte vor Installation, Betrieb, Reparatur und Wartung der Maschine bzw. vor dem Wechsel von Zubehör die Sicherheitshinweise und die Betriebsanleitung sorgfältig durch, um Unfallrisiken, die mit ernsthaften Verletzungen oder Lebensgefahr verbunden sein können, zu vermeiden.

Schlagen Sie diese Sicherheitshinweise und Betriebsanleitung am Arbeitsplatz an. Verteilen Sie Kopien an die Mitarbeiter. Stellen Sie sicher, dass jeder Mitarbeiter vor dem Betrieb der Maschine oder vor Wartungsarbeiten diese Sicherheitshinweise und Betriebsanleitung liest.

Darüber hinaus sollten der Bediener oder der Arbeitgeber des Bedieners die spezifischen Risiken bewerten, die bei jeder Anwendung dieser Maschine bestehen.

## Sicherheits-Signalworte

Die Sicherheits-Signalworte Gefahr, Warnung und Achtung haben folgende Bedeutung:

<b>GEFAHR</b>	Hinweis auf eine Gefahrensituation, die bei Nichtbeachtung zu schweren oder lebensgefährlichen Unfällen führt.
<b>WARNUNG</b>	Hinweis auf eine Gefahrensituation, die bei Nichtbeachtung zu schweren oder lebensgefährlichen Unfällen führen kann.
<b>VORSICHT</b>	Hinweis auf eine Gefahrensituation, die bei Nichtbeachtung zu geringen oder leichten Verletzungen führen kann.

## Personliche Vorsichtsmaßnahmen und Qualifikationen

Die Maschine darf nur von qualifiziertem und geschultem Personal bedient oder gewartet werden. Dieses muss physisch in der Lage sein, mit Größe, Gewicht und Leistung der Maschine umzugehen. Verlassen Sie sich immer auf Ihren gesunden Menschenverstand.

## Schutzausrüstung

Verwenden Sie stets geeignete Schutzausrüstung! Von Mitarbeitern und anderen Personen im Arbeitsbereich ist mindestens folgende Schutzausrüstung zu tragen:

- Schutzhelm
- Gehörschutz
- Schutzbrille (mit seitlicher Abschirmung der Augen)
- Atemmaske (bei Bedarf)
- Schutzhandschuhe
- Geeignete Sicherheitsschuhe
- Geeigneter Arbeitsanzug oder ähnliche (eng anliegende) Kleidung, die Arme und Beine bedeckt.

## Drogen, Alkohol oder Medikamente

### ▲ **WARNUNG** Drogen, Alkohol oder Medikamente

Drogen, Alkohol oder Medikamente können Ihre Urteilskraft und Konzentrationsfähigkeit einschränken. Schlechte Reaktionsfähigkeit und Fehleinschätzungen können zu schweren Verletzungen führen.

- ▶ Bedienen Sie die Maschine niemals, wenn Sie müde sind oder unter dem Einfluss von Drogen, Alkohol oder Medikamenten stehen.
- ▶ Personen, die unter dem Einfluss von Drogen, Alkohol oder Medikamenten stehen, dürfen die Maschine nicht bedienen.

## Installation, Vorsichtsmaßnahmen

### ▲ **GEFAHR** Ausschlagender Druckluftschlauch

Ein Druckluftschlauch, der sich gelöst hat, kann ausschlagen und lebensgefährliche Verletzungen verursachen. Zur Verhütung dieses Unfallrisikos ist Folgendes zu beachten:

- ▶ Stellen Sie sicher, dass Druckluftschlauch und Anschlüsse unbeschädigt sind, und ersetzen Sie diese gegebenenfalls.
- ▶ Stellen Sie sicher, dass sämtliche Druckluftanschlüsse korrekt befestigt sind.
- ▶ Tragen Sie eine Druckluftmaschine niemals am Druckluftschlauch.

- ▶ Ein unter Druck stehender Druckluftschlauch darf unter keinen Umständen abgebaut oder demontiert werden. Schalten Sie zuerst die Druckluft am Kompressor aus und lassen Sie die Maschine durch Betätigen des Start- und Stoppschalters auslaufen.
- ▶ Richte einen Druckluftschlauch nie auf eine andere Person oder den eigenen Körper! Um Verletzungen zu vermeiden, darf Druckluft niemals zum Sauberblasen von Kleidung oder auf ähnliche Weise zweckentfremdet werden.
- ▶ Verwenden Sie an der Werkzeugaufnahme keine Schnellkupplungen. Verwenden Sie Schlaucharmaturen mit Gewinde und aus gehärtetem Stahl (oder aus Material mit vergleichbarer Stoßfestigkeit).
- ▶ Bei Verwendung von Universaldrehkupplungen (Klauenkupplungen) empfehlen wir die Installation von Sicherungsstiften und Sicherungskabeln (die das Umherschlagen von Druckschläuchen verhindern), um den erforderlichen Schutz zu gewährleisten, falls eine Verbindung von Werkzeug zu Schlauch oder von Schlauch zu Schlauch versagt.

#### ▲ **WARNUNG Lösen des Werkzeugs**

Wenn die Werkzeugaufnahme nicht arretiert ist, kann das Werkzeug mit Gewalt ausgeworfen werden. Dies kann zu ernsthaften Verletzungen führen.

- ▶ Starten Sie die Maschine niemals während des Werkzeugwechsels.
- ▶ Schalten Sie vor dem Wechseln von Werkzeug oder Zubehör immer die Energieversorgung aus, und lassen Sie die Maschine durch Betätigen des Start- und Stoppschalters auslaufen.
- ▶ Richten Sie das Werkzeug nie auf eine andere Person oder den eigenen Körper!
- ▶ Stellen Sie sicher, dass das Werkzeug vollständig eingesetzt ist und die Werkzeugaufnahme arretiert ist, bevor Sie die Maschine einschalten.
- ▶ Prüfen Sie die Arretierung, indem Sie kräftig und ruckartig am Werkzeug ziehen.

#### ▲ **WARNUNG Bewegen / Herausrutschen des Werkzeugs**

Eine falsche Werkzeugschaftgröße kann dazu führen, dass das eingesetzte Werkzeug während des Betriebs herausrutscht. Hierbei besteht die Gefahr von schweren Verletzungen, z. B. Brüche von Händen und Fingern.

- ▶ Stellen Sie sicher, dass das Werkzeug die für die Maschine passende Größe und Schaftlänge besitzt.
- ▶ Verwenden Sie niemals Werkzeuge ohne Bund.

## Betrieb, Vorsichtsmaßnahmen

### ▲ **GEFAHR Explosionsgefahr**

Wenn ein heißes Werkzeug mit Explosivstoffen in Kontakt kommt, kann es zu einer Explosion kommen. Bei der Arbeit mit bzw. der Verwendung von bestimmten Materialien können Funken auftreten und Explosionen verursachen. Explosionen können zu ernsthaften Verletzungen oder zum Tod führen.

- ▶ Die Maschine nie in einer explosiven Umgebung betreiben.
- ▶ Verwenden Sie die Maschine niemals in der Nähe von entzündlichen Materialien, Dämpfen oder Staub.
- ▶ Stellen Sie sicher, dass keine verborgenen Gasquellen oder Explosivstoffe vorhanden sind.
- ▶ Bohren Sie niemals in einem alten Bohrloch.

### ▲ **WARNUNG Unerwartete Bewegungen**

Das Werkzeug wird während des Betriebs der Maschine stark beansprucht. Das Werkzeug kann nach Ablauf der Lebensdauer aufgrund von Werkstoffermüdung brechen. Wenn das Werkzeug bricht oder verklemmt, kann die Maschine plötzliche und unerwartete Bewegungen ausführen, die Verletzungen verursachen können. Außerdem kann es zu Verletzungen kommen, wenn Sie das Gleichgewicht verlieren oder ausrutschen.

- ▶ Stellen Sie sicher, dass Sie immer eine stabile Standposition einnehmen. Verteilen Sie dazu Ihr Körpergewicht auf beide Füße, die schulterbreit auseinanderstehen.
- ▶ Prüfen Sie die Ausrüstung vor jeder Anwendung. Bei Schadensverdacht darf die Ausrüstung auf keinen Fall verwendet werden.
- ▶ Stellen Sie sicher, dass die Griffe sauber und frei von Fett oder Öl sind.
- ▶ Halten Sie Ihre Füße vom Werkzeug fern.
- ▶ Stehen Sie sicher und halten Sie die Maschine mit beiden Händen fest.
- ▶ Bohren Sie niemals in einem alten Bohrloch.
- ▶ Starten Sie niemals die Maschine, wenn sie auf dem Boden liegt.
- ▶ „Reiten“ Sie niemals mit einem Bein über dem Griff auf der Maschine.
- ▶ Gehen Sie mit der Ausrüstung sorgsam um.
- ▶ Prüfen Sie das Werkzeug regelmäßig auf Abnutzung, Beschädigungen oder sichtbare Risse.
- ▶ Achten Sie während des Betriebs auf ungewöhnliche Vorgänge.

**▲ WARNUNG Gefahr durch Blockieren**

Wenn das Werkzeug während des Betriebs blockiert und Sie die Maschine nicht mit ausreichender Kraft festhalten, fängt die ganze Maschine an, sich zu drehen. Dieses unerwartete Drehen der gesamten Maschine kann zu schweren Verletzungen oder zum Tod führen.

- ▶ Stehen Sie sicher und halten Sie die Maschine immer mit beiden Händen fest.
- ▶ Stellen Sie sicher, dass der Griff/die Griffe sauber und frei von Fett oder Öl sind.
- ▶ Bohren Sie niemals in einem alten Bohrloch.

**▲ WARNUNG Gefahr durch Erfassen von Kleidung**

Es besteht die Gefahr, dass Schals, Halstücher, Haare und Handschuhe in rotierendes Einsteckwerkzeug oder Zubehör eingerollt oder eingezogen werden. Dies kann zu ernsthaften bzw. tödlichen Verletzungen durch Erwürgen, Skalpieren oder Aufschlitzen führen. Zur Verhütung dieses Unfallrisikos ist Folgendes zu beachten:

- ▶ Versuchen Sie niemals, einen rotierenden Bohrstaht zu berühren oder anzufassen.
- ▶ Tragen Sie keine Kleidung (z. B. Halstücher usw.), die erfasst werden kann.
- ▶ Decken Sie lange Haare mit einem Haarnetz ab.

**▲ WARNUNG Gefahren durch Abgase und Staub**

Staub und/oder Abgase, die beim Betrieb der Maschine erzeugt oder freigesetzt werden, können zu ernsthaften und chronischen Atemwegserkrankungen oder zu körperlichen Beeinträchtigungen führen (z. B. zu Silikose, ernsthaften chronischen Lungenerkrankungen, Krebs, Erbkrankheiten und/oder Hautentzündungen).

Einige Staubsorten und Abgase, die beim Bohren, Aufbrechen, Hämmern, Sägen, Schleifen oder anderen Bautätigkeiten freigesetzt werden, enthalten chemische Elemente, die Atemwegserkrankungen, Krebs oder Erbkrankheiten auslösen. Dazu gehören z. B.:

- Steinstaub, Zement und andere Baustoffe.
- Arsen und Chrom aus chemisch behandeltem Gummi.
- Blei aus bleihaltigen Farben.

In der Luft vorhandene Abgase und Staub können für das bloße Auge unsichtbar sein. Verlassen Sie sich daher nicht auf eine lediglich optische Kontrolle, ob Abgase und Staub in der Luft vorhanden sind.

Um die Gefahren durch Abgase und Staub zu vermindern, befolgen Sie folgende Anweisungen:

- ▶ Führen Sie eine auf den jeweiligen Arbeitsplatz bezogene Risikoanalyse durch. Die Risikoanalyse sollte die von der Maschine freigesetzten Abgase und Staub sowie ein mögliches Aufwirbeln von vorhandenem Staub berücksichtigen.
- ▶ Verwenden Sie geeignete technische Hilfsmittel zur Minimierung von Abgasen und Staub in der Luft sowie auf der Oberfläche von Ausrüstung, Kleidung und Körperteilen. Zu solchen Hilfsmitteln gehören z. B.: Absaugungen und Staubsammelsysteme, Sprühwasseranlagen und Nassbohren. Begrenzen Sie Staub und Abgase möglichst an deren Entstehungsquelle. Stellen Sie sicher, dass diese Hilfsmittel korrekt installiert, gewartet und angewendet werden.
- ▶ Tragen Sie stets geeignete sowie korrekt angewendete und gewartete Atemmasken, entsprechend den Anweisungen des Arbeitgebers sowie entsprechend den betrieblichen Gesundheits- und Sicherheitsbestimmungen. Die Atemmaske muss für die jeweilige Substanz geeignet (und möglichst von der zuständigen staatlichen Behörde genehmigt) sein.
- ▶ Arbeiten Sie in einem gut belüfteten Bereich.
- ▶ Verfügt die Maschine über ein Abgasrohr, richten Sie dieses so aus, dass die Staubaufwirbelungen in staubigen Umgebungen möglichst gering sind.
- ▶ Betrieb und Wartung der Maschine sind entsprechend den Sicherheitshinweisen und der Betriebsanleitung durchzuführen.
- ▶ Auswahl, Wartung und Austausch von Verbrauchsmaterialien/ Werkzeugen/ anderem Zubehör sind entsprechend den Sicherheitshinweisen und der Betriebsanleitung durchzuführen. Die falsche Wahl oder ungenügende Wartung von Verbrauchsmaterialien/ Werkzeugen/ anderem Zubehör kann die Freisetzung von Staub und Abgasen erhöhen.
- ▶ Tragen Sie am Arbeitsplatz abwaschbare oder Einwegschutzkleidung; Duschen Sie oder wechseln Sie die Kleidung vor dem Verlassen des Arbeitsplatzes, um Ihre eigene Belastung durch Staub und Abgase und die anderer Personen bzw. von Autos, Heimstätten und anderer Bereiche so gering wie möglich zu halten.
- ▶ Vermeiden Sie das Essen, Trinken oder Rauchen in Bereichen, in denen eine Belastung durch Staub und Abgase vorhanden ist.
- ▶ Waschen Sie umgehend nach dem Verlassen des Belastungsbereichs sowie stets vor dem Essen, Trinken, Rauchen oder dem Kontakt mit anderen Personen Ihre Hände und Ihr Gesicht.
- ▶ Beachten Sie alle relevanten Gesetze und Vorschriften sowie die betrieblichen Gesundheits- und Sicherheitsbestimmungen.

- ▶ Nehmen Sie entsprechend den betrieblichen Gesundheits- und Sicherheitsbestimmung an Schulungen zur Luftreinhaltung, medizinischen Prüfungen und Gesundheits- und Sicherheitsprogrammen teil, wenn diese von Ihrem Arbeitgeber oder von den Berufsverbänden angeboten werden. Konsultieren Sie Ärzte, die auf Arbeitsmedizin spezialisiert sind.
- ▶ Arbeiten Sie mit Ihrem Arbeitgeber und Berufsverband zusammen, um die Gefahren durch Abgase und Staub am Arbeitsplatz zu vermindern. Effektive Gesundheits- und Sicherheitsprogramme, -regelungen und -verfahren zum Schutz von Mitarbeitern und anderen Personen vor gefährlichen Stäuben und Abgasen sollten entsprechend dem Rat von Gesundheits- und Sicherheitsexperten erstellt und implementiert werden. Lassen Sie sich von Experten beraten.

#### **▲ WARNUNG Fliegende Splitter**

Fehler des Werkstücks, des Zubehörs oder der Maschine selbst können mit hoher Geschwindigkeit fliegende Splitter erzeugen. Beim Arbeiten können Splitter oder andere Partikel des bearbeiteten Materials zu Geschossen werden und ernsthafte Verletzungen verursachen, wenn Sie den Maschinenbenutzer oder andere Personen treffen. Zur Verhütung dieses Unfallrisikos ist Folgendes zu beachten:

- ▶ Tragen Sie immer geeignete Schutzausrüstung und einen Schutzhelm, einschließlich einer Schutzbrille mit seitlicher Abschirmung der Augen.
- ▶ Stellen Sie sicher, dass Unbefugte den Arbeitsbereich nicht betreten können.
- ▶ Der Arbeitsplatz ist sauber und aufgeräumt zu hinterlassen.
- ▶ Stellen Sie sicher, dass das Werkstück wirklich fest sitzt.

#### **▲ WARNUNG Gefahren durch Splitter**

Wird das Werkzeug als Handschlagwerkzeug zweckentfremdet, kann dies zu Verletzungen durch Splitter führen.

- ▶ Verwenden Sie ein Werkzeug niemals als Handschlagwerkzeug. Die Werkzeuge sind speziell konstruiert und thermisch behandelt und dürfen nur in einer Maschine verwendet werden.

#### **▲ WARNUNG Gefahren durch Ausrutschen, Stolpern und Hinfallen**

Es besteht die Gefahr, auszurutschen, zu stolpern oder hinzufallen, z. B. Stolpern über Schläuche oder andere Gegenstände. Ausrutschen, Stolpern oder Hinfallen kann zu Verletzungen führen. Zur Verhütung dieses Unfallrisikos ist Folgendes zu beachten:

- ▶ Stellen Sie stets sicher, dass Ihnen oder anderen Personen keine Schläuche oder andere Objekte in Weg sind.
- ▶ Stellen Sie sicher, dass Sie immer eine stabile Standposition einnehmen. Verteilen Sie dazu Ihr Körpergewicht auf beide Füße, die schulterbreit auseinander stehen.

#### **▲ WARNUNG Gefahren durch Bewegung**

Bei Verwendung der Maschine für arbeitsbezogene Tätigkeiten, können Beschwerden an Händen, Armen, Schultern, am Nacken oder an anderen Körperteilen auftreten.

- ▶ Nehmen Sie eine bequeme Körperhaltung und eine sichere Standposition ein. Vermeiden Sie unsichere, unausgeglichene oder ungeschickte Haltungen.
- ▶ Bei längeren Tätigkeiten kann das Wechseln der Körperposition das Auftreten von Beschwerden und Ermüdungserscheinungen vermeiden helfen.
- ▶ Nehmen Sie bei anhaltenden oder wiederkehrenden Symptomen professionelle medizinische Hilfe in Anspruch.

**▲ WARNUNG Gefahren durch Vibration**

Der Anwender ist auch bei normaler und richtiger Anwendung der Maschine Vibrationen ausgesetzt. Häufige und regelmäßige Vibrationsbelastungen können zu Verletzungen der Finger, Hände, Handgelenke, Arme, Schultern und/oder der Nerven- oder Blutbahnen oder anderer Körperteile führen oder andere Körperteile führen oder bestehende Schädigungen verschlimmern. Es können chronische Beschwerden oder Schwächungen entstehen, die sich nur allmählich über Zeiträume von Wochen, Monaten oder Jahren entwickeln. Dazu kann eine Schädigung oder Störung des Blutkreislaufs, des Nervensystems, des Bewegungsapparats oder anderer Körperstrukturen gehören.

Falls während oder nach der Benutzung der Maschine andauernde Beschwerden, wie Taubheit, Brennen, Steifheit, Klopfen, Kribbeln, Schmerzen, eingeschränkte Feinmotorik oder Greiffunktion, weißliche Hautverfärbungen oder andere Symptome auftreten, stellen Sie die Arbeit ein, benachrichtigen Sie Ihren Arbeitgeber und begeben Sie sich in medizinische Betreuung. Wenn Sie nach dem Auftreten der genannten Beschwerden die Arbeit an der Maschine fortsetzen, kann das zu einer Verschlimmerung der Beschwerden oder zu chronischen Erkrankungen führen.

Betrieb und Wartung der Maschine sind entsprechend dieser Anleitung durchzuführen, um unnötig starke Vibrationen zu vermeiden.

Die folgenden Hinweise können dazu beitragen, die Vibrationsbelastung für den Anwender gering zu halten:

- ▶ Lassen Sie das Werkzeug die Arbeit verrichten. Wenden Sie zum Festhalten der Maschine nur soviel Kraft auf, wie für deren einwandfreie Steuerbarkeit und sicheren Betrieb mindestens erforderlich ist.
- ▶ Verfügt die Maschine über vibrationsdämpfende Griffe, halten Sie diese in einer zentralen Position, d. h. vermeiden die Griffe bis zum Anschlag nach unten zu drücken.
- ▶ Bei laufendem Schlagmechanismus dürfen Sie keinen anderen Körperkontakt mit der Maschine haben als die Hände am Griff oder an den Griffen. Vermeiden Sie jeden anderen Kontakt, z. B. Anlehnen irgendeines Körperteils an die Maschine, um die Vorschubkraft zu erhöhen. Wichtig ist auch, beim Zurückziehen des Werkzeugs aus der aufgebrochenen Bearbeitungsfläche den Start- und Stoppschalter nicht gedrückt zu halten.

- ▶ Stellen Sie sicher, dass das eingesetzte Werkzeug gut gewartet und nicht abgenutzt ist (einschl. der Schärfe, wenn es sich um ein Schneidwerkzeug handelt) und die richtige Größe hat. Werkzeuge, die nicht gut gewartet oder abgenutzt sind oder die falsche Größe haben, bewirken längere Bearbeitungszeiten und damit auch längere und höhere Vibrationsbelastungen.
- ▶ Stellen Sie sofort die Arbeit ein, wenn die Maschine plötzlich stark zu vibrieren anfängt. Ermitteln und beseitigen Sie die Ursache der verstärkten Vibrationen, bevor Sie die Arbeit fortsetzen.
- ▶ Fassen Sie während des Betriebs der Maschine niemals das Werkzeug an bzw. halten Sie es niemals fest.
- ▶ Nehmen Sie an medizinischen Untersuchungen und Kontrollen teil, wenn diese von Ihrem Arbeitgeber angeboten werden oder gesetzlich vorgeschrieben sind.
- ▶ Tragen Sie beim Arbeiten in kalter Umgebung warme Kleidung, und halten Sie Ihre Hände warm und trocken.

Lesen Sie die für diese Maschine geltenden „Angaben zu Geräuschemission und Vibration“ einschließlich der angegebenen Vibrationswerte. Diese Informationen befinden sich am Ende dieser Sicherheitshinweise und Betriebsanleitung.

- ◆ Halten Sie den für den Betrieb der Maschine empfohlenen Luftdruck ein. Höherer oder niedrigerer Luftdruck als der empfohlene kann zu stärkeren Vibrationen führen.

**▲ GEFAHR Gefahren durch elektrischen Strom**

Die Maschine ist nicht elektrisch isoliert. Wenn die Maschine mit Elektrizität in Kontakt kommt, kann dies zu ernsthaften Verletzungen oder zum Tod führen.

- ▶ Betreiben Sie die Maschine niemals in der Nähe von elektrischen Leitungen oder anderen Stromquellen.
- ▶ Stellen Sie sicher, dass innerhalb des Arbeitsbereichs keine verborgenen elektrischen Quellen vorhanden sind.

**▲ WARNUNG Gefahren durch verborgenen Objekte**

Beim Arbeiten stellen verborgene Leitungen und Rohre eine Gefahr dar, die zu ernsthaften Verletzungen führen kann.

- ▶ Prüfen Sie vor Beginn der Arbeiten die Zusammensetzung des Materials.
- ▶ Achten Sie auf verborgene Kabel und Leitungen, z. B. Elektro-, Telefon-, Wasser-, Gas- und Abwasserleitungen.
- ▶ Wenn Sie glauben, dass das Werkzeug ein verborgenes Objekt getroffen hat, schalten Sie die Maschine sofort aus.
- ▶ Stellen Sie sicher, dass keine Gefahr besteht, bevor Sie fortfahren.

#### ▲ **WARNUNG Unbeabsichtigter Start**

Unbeabsichtigtes Starten der Maschine kann zu Verletzungen führen.

- ▶ Halten Sie Ihre Hände so lange vom Start- und Stoppschalter fern, bis Sie zum Starten der Maschine bereit sind.
- ▶ Machen Sie sich damit vertraut, wie die Maschine im Notfall ausgeschaltet wird.
- ▶ Lassen Sie bei jeglicher Unterbrechung der Energieversorgung sofort den Start- und Stoppschalter los.
- ▶ Schalten Sie bei jedem Einsetzen/Entfernen des Werkzeugs die Luftzufuhr ab, lassen Sie die Maschine durch Betätigen des Start- und Stoppschalters auslaufen, und trennen Sie die Maschine von der Energieversorgung.

#### ▲ **WARNUNG Gehörverlust**

Hohe Schallpegel können zu bleibendem Hörverlust und anderen Problemen wie Tinnitus (Klingel-, Summ-, Brumm- oder Pfeifgeräusche in den Ohren) führen. Zur Verringerung dieser Gefahren und zur Vermeidung von unnötig hohen Schallpegeln ist Folgendes zu beachten:

- ▶ Eine Risikoanalyse dieser Gefahren und eine Implementierung geeigneter Kontrollmaßnahmen werden dringend empfohlen.
- ▶ Betrieb und Wartung der Maschine sind entsprechend dieser Anleitung durchzuführen.
- ▶ Auswahl, Wartung und Austausch des Werkzeugs sind entsprechend dieser Anleitung durchzuführen.
- ▶ Verfügt die Maschine über einen Schalldämpfer, stellen Sie sicher, dass dieser angebracht und in einwandfreiem Zustand ist.
- ▶ Tragen Sie stets einen Gehörschutz.
- ▶ Verwenden Sie dämpfende Materialien, um das „Klingeln“ von Werkstücken zu vermeiden.

## Wartung, Vorsichtsmaßnahmen

### ▲ **WARNUNG Änderungen an der Maschine**

Änderungen an der Maschine können zu schweren Unfällen führen.

- ▶ Nehmen Sie niemals Änderungen an der Maschine vor. Bei modifizierten Maschinen entfallen Garantie und Produkthaftung.
- ▶ Verwenden Sie stets Originalteile, Originalwerkzeuge und Originalzubehör von Atlas Copco.
- ▶ Wechseln Sie beschädigte Bauteile sofort aus.
- ▶ Ersetzen Sie verschlissene Komponenten rechtzeitig.

### ▲ **VORSICHT Heißes Werkzeug**

Die Spitze des Werkzeugs kann während des Betriebs sehr heiß und scharf werden. Das Berühren der Spitze kann zu Verbrennungen und Schnittverletzungen führen.

- ▶ Berühren Sie niemals ein heißes oder scharfes Werkzeug.
- ▶ Warten Sie mit eventuellen Wartungsarbeiten bis sich das Werkzeug abgekühlt hat.

### ▲ **WARNUNG Gefahren durch Werkzeuge**

Sofern die Energieversorgung noch angeschlossen ist, kann ein unbeabsichtigtes Betätigen des Start- und Stoppschalters während Wartungs- oder Installationstätigkeiten zu ernsthaften Verletzungen führen.

- ▶ Prüfen, säubern, installieren oder entfernen Sie niemals das Werkzeug bei noch angeschlossener Energieversorgung.

## Lagerung, Vorsichtsmaßnahmen

- ◆ Lagern Sie die Maschine und die Werkzeuge in einer sicheren, abgeschlossenen Umgebung und für Kinder unzugänglich.

## Übersicht

Lesen Sie bitte vor dem Betrieb der Maschine die Sicherheitshinweise auf den vorangegangenen Seiten dieses Handbuchs, um Unfallrisiken, die mit ernsthaften Verletzungen oder Lebensgefahr verbunden sein können, zu vermeiden.

## Konstruktion und Funktion

Die Stützenbohrhämmer Atlas Copco BBC 16W/WS und BBC 34W/WS verfügen über Wasserspülung und sind für einen Luftdruck von 4 bis 6 bar ausgelegt. Der BBC 16W/WS und der BBC 34W/WS sind für viele Bau- und Bergbauanwendungen geeignet. Diese vielseitigen Stützenbohrhämmer eignen sich für mittlere und harte Gesteinsformationen. Andere Einsatzgebiete sind nicht zulässig.

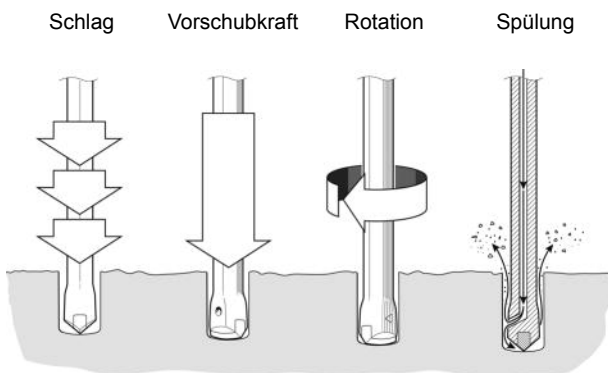
Die Vorschubstütze des Bohrhammers erleichtert dem Bediener das Anheben und den Vorschub beim Bohren. Die Steuerung der Vorschubstütze befindet sich an der Kopfrückseite des Bohrhammers.

Die Maschinen sind für den Einsatz mit den Vorschubstützen BMT 51, ALF 71, ALF 71-1 oder ALF 67/80 vorgesehen.

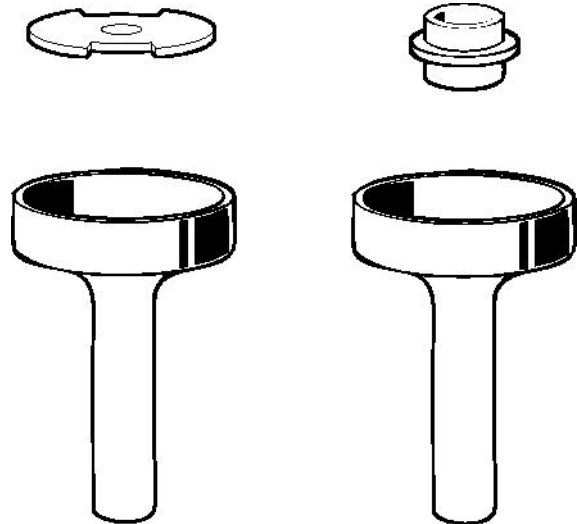
Die Stützenbohrhämmer verfügen über Wasserspülung und einen robusten Sperrachsen-Drehmechanismus. Die Stützenbohrhämmer haben ein Spannfutter für einen Sechskantschaft mit 22 mm x 108 mm. Die Bohrhämmer besitzen einen 25-mm-Druckluftanschluss (1 in.) und einen 12,5-mm-Wasseranschluss (½ in.).

Kontaktieren Sie hinsichtlich der Wahl des richtigen Einsteckwerkzeugs Ihren örtlichen Atlas Copco-Händler.

### Arbeitsprinzip eines Bohrhammers



### Kontrollventilmechanismus

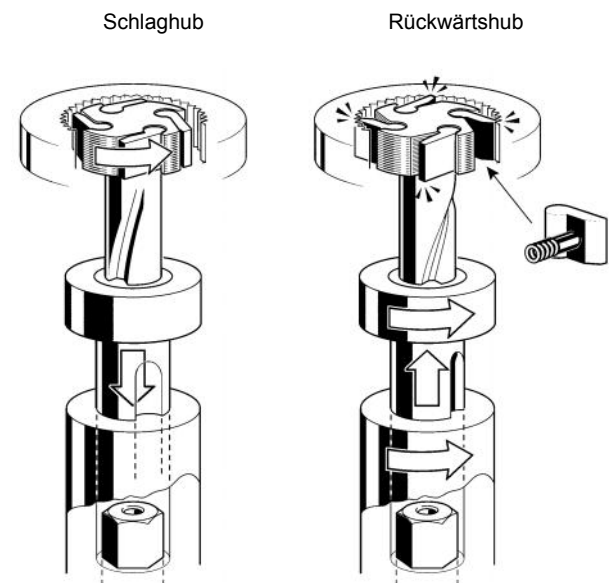


BBC 16W/WS

BBC 34W/WS

Das Ventil leitet den Luftstrom abwechselnd zur Ober- oder Unterseite des Kolbens, so dass dieser auf und ab bewegt. Der Kolben überträgt die Energie über den Bohrstahl auf den Grund des Bohrlochs.

### Rotationsmechanismus



Der Bohrstahl wird bei jedem Schlag der Sperrachsen-Rotation etwas gedreht. Die Rotation läuft gegen den Uhrzeigersinn und wird durch den Rückschlag des Kolbens angetrieben.

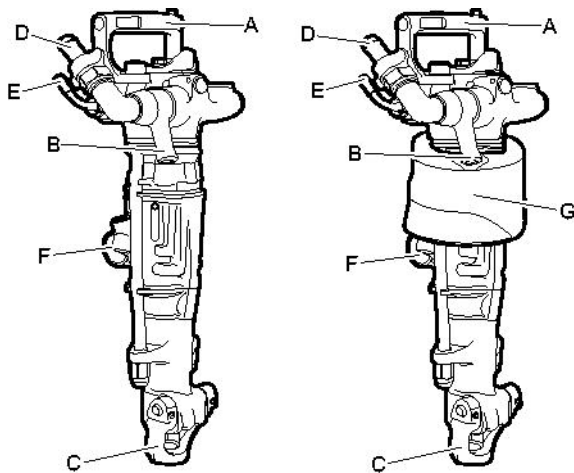
### Spülung

Die Spülung wird durch zwei konzentrische Röhren geleitet, die äußere für Luft und die innere für Wasser. Damit steht Spülluft zur Verfügung, sobald die Druckluft eingeschaltet wird. Damit soll verhindert



werden, dass Wasser in den Schlagmechanismus des Bohrhammers eindringen kann.

## Hauptkomponenten



BBC 16W/34W

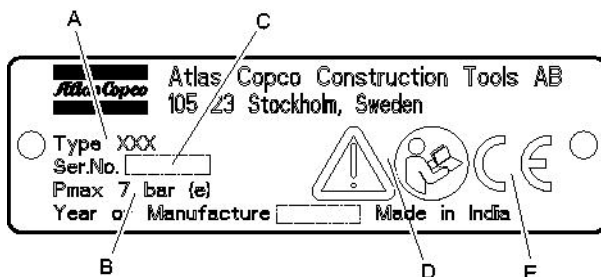
BBC 16WS/34WS

- A. Griff
- B. Drosselhebel
- C. Bohrstahlaufnahme
- D. Lufteinlassnippel
- E. Wassereinlassnippel
- F. Maschinenzusatz
- G. Schalldämpfer

## Etiketten

An der Maschine sind Etiketten mit wichtigen Informationen zu Sicherheit und Wartung angebracht. Die Etiketten müssen stets gut lesbar sein. Neue Etiketten können anhand der Ersatzteilliste bestellt werden.

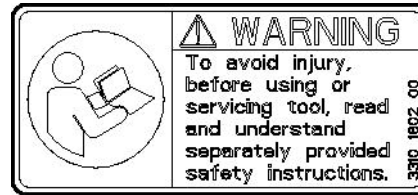
### Typenschild



- A. Maschinentyp
- B. Max. zulässiger Druckluftdruck
- C. Seriennummer

- D. Das Warnsymbol und das Buchsymbol weisen darauf hin, dass Sie vor dem ersten Einsatz der Maschine die Sicherheitshinweise und die Betriebsanleitung lesen müssen.
- E. Das CE-Zeichen zeigt an, dass die Maschine EG-geprüft ist. Weitere Informationen dazu finden Sie in der beigegeführten EG-Konformitätserklärung. Fehlt das CE-Zeichen, bedeutet dies, dass die Maschine nicht EG-geprüft ist.

### Sicherheitsschild



Lesen Sie vor Benutzung und Wartung des Werkzeugs die separat mitgelieferten Sicherheitshinweise sorgfältig durch, um Verletzungen zu vermeiden.

## Installation

### Auspacken des Bohrhammers

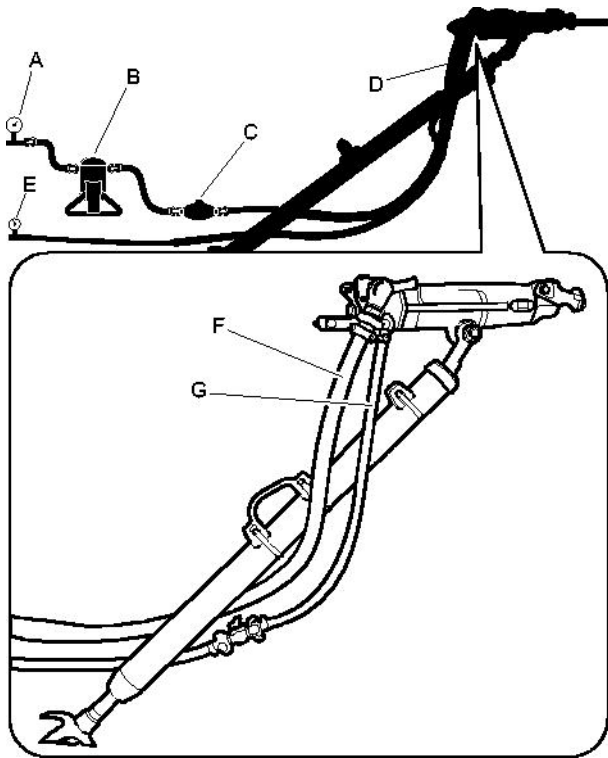
#### Kunststoffabdeckungen

Entfernen Sie vor dem ersten Einsatz des Bohrhammers alle Kunststoffabdeckungen an den Schlauchnippeln, Entlüftungsöffnungen und am Bohrfutter.

#### Schmierer

Füllen Sie nach dem Auspacken und der Installation des Werkzeugs reichlich Schmieröl in den Luftanschluss.

## Schläuche und Anschlüsse



- A. Druckluftquelle
- B. Wasserabscheider, VAM 5A (optional)
- C. Schmiervorrichtung, BLG 30 oder CLG 30 (optional)
- D. Maximal 3 m Druckluftschlauch zwischen Schmiervorrichtung und Maschine.
- E. Wasser
- F. Druckluftschlauch, Maschine
- G. Wasserschlauch

- ◆ Stellen Sie sicher, dass Sie den richtigen Luftdruck, 6 Bar (e), eingestellt haben.
- ◆ Der für die Maschine zulässige maximale Luftdruck von 7 Bar (e) darf nicht überschritten werden.
- ◆ Blasen Sie alle Verunreinigungen aus dem Druckluftschlauch aus, bevor Sie die Maschine anschließen.
- ◆ Wählen Sie für den Druckluftschlauch den richtigen Durchmesser und die passende Länge aus. Für Schlauchlängen bis 30 m sollte ein Innendurchmesser von mindestens 25 mm (1 in.) verwendet werden. Für Schlauchlängen von 30 m bis 100 m sollte ein Innendurchmesser von mindestens 50 mm (2 in.) verwendet werden.

## Methoden zur Vermeidung von Einfrieren

Bei Umgebungstemperaturen von 0 bis 10 °C (32 bis 50 °F) und hoher relativer Luftfeuchtigkeit kann sich im Schalldämpfer Eis bilden.

Die Maschine ist so konstruiert, dass eine Eisbildung im Schalldämpfer vermieden wird. Dennoch kann sich unter extremen Bedingungen im Schalldämpfer Eis bilden.

Eine weitere Verringerung des Risikos für Eisbildung wird durch folgende Maßnahmen erreicht:

- ◆ Verwenden Sie als Schmiermittel Rock Drill AIR-OIL von Atlas Copco.
- ◆ Verwenden Sie den Wasserabscheider VAM 5A.

Falls der Bohrhammer vereist ist, darf er zum Auftauen niemals erhitzt werden, sondern muss immer bei Raumtemperatur abgetaut werden.

Gießen Sie niemals Spiritus oder ähnliche Substanzen in den Bohrhammer, da der Spiritus die Schmierung beeinträchtigt und zu erhöhtem Verschleiß führt.

## Anschließen eines Wasserabscheiders

Der Schlauch zwischen Kompressor und Wasserabscheider muss so lang sein, dass der Wasserdampf abkühlt und kondensiert, bevor er den Wasserabscheider erreicht.

Wenn die Umgebungstemperatur unter 0 °C (32 °F) liegt, muss der Schlauch kurz genug sein, damit das Wasser im Schlauch nicht gefriert, bevor es den Wasserabscheider erreicht.

## Schmierung

Der Bohrhammer wird mit einem Gemisch aus Druckluft und Öl geschmiert, das zu den Teilen geleitet wird, die ständige Schmierung benötigen. Das Öl wird der Druckluft über eine Schmiervorrichtung (Atlas Copco BLG 30 oder CLG 30) an der Druckluftleitung beigemischt.

Verwenden Sie Atlas Copco Rock Drill AIR-OIL, das speziell für Druckluftbohrhämmer der Serien BBC, BBD und RH entwickelt wurde. Rock Drill AIR-OIL ist leicht biologisch abbaubar gemäß OECD 301 und verfügt über eine hohe Scherfestigkeit des Schmierfilms für hohe Belastungen. Wenn Rock Drill AIR-OIL nicht verfügbar ist, verwenden Sie ein Mineralöl mit den in der Tabelle unten empfohlenen Eigenschaften.

Temperaturbereich (°C)	Viskosität (ISO 3448)
-30 bis 0	ISO VG 32-68
-10 bis +20	ISO VG 68-100
+10 bis +50	ISO VG 100-150

## Druckeinstellung

### Luftdruck

Stellen Sie sicher, dass der Kompressor den erforderlichen Luftdruck von 4–6 bar an der Maschine erzeugen kann.

1. Zu hoher Druck verursacht einen harten Lauf und übermäßigen Verschleiß.
2. Zu niedriger Luftdruck führt zu einer geringen Bohrgeschwindigkeit.

### Den richtigen Luftdruck einstellen

Verwenden Sie zum Messen des Luftdrucks während des Betriebs des Bohrhammers das Manometer Atlas Copco-Nr. **9090 0550 80**. Der Druck sollte nahe dem Einlassnippel gemessen werden. Der empfohlene Betriebsdruck beträgt 6 bar.



Das Manometer verfügt über eine Nadel, die in den Schlauch gedrückt wird, um den Druck im Innern zu messen.

### Wasserdruck

Der Wasserdruck muss mindestens 1 Bar unter dem Luftdruck liegen. Andernfalls kann Wasser in den Schlagmechanismus eindringen. Wenn der Luftdruck z. B. 6 Bar beträgt, darf der Wasserdruck höchstens 5 Bar betragen, damit kein Wasser in den Schlagmechanismus eindringt.

## Bohrstahl

### ▲ WARNUNG Auswurf des Werkzeugs

Wenn die Werkzeugaufnahme nicht arretiert ist, kann das Werkzeug mit Gewalt ausgeworfen werden. Dies kann zu ernsthaften Verletzungen führen.

- ▶ Schalten Sie vor dem Wechseln des Werkzeugs immer die Druckluftversorgung aus und lassen Sie die Maschine durch Betätigen des Start- und Stoppschalters auslaufen.

### Vor dem Einsetzen des Bohrstahls

Prüfen Sie, dass das Einsteckende des Werkzeugs die korrekte Größe und Länge für das verwendete Bohrfutter aufweist. Das Einsteckende muss sauber und das Werkzeug muss in einwandfreiem Zustand sein. Einsteckenden, die angeschlagen, abgerundet, nicht rechtwinklig oder zu hart auf der Schlagseite sind, arbeiten ineffizient und verursachen vorzeitige Kolbendefekte.

Kontrolle des Bohrstahls:

Ein stumpfer Bohrstahl reduziert die Bohrgeschwindigkeit und überlastet den Bohrmechanismus. Beim Wechseln des Bohrstahls sicherstellen, dass der neue die korrekte Größe hat, wenn Sie ein angefangenes Bohrloch weiterbearbeiten.

Stellen Sie vor dem Bohren sicher, dass das Spülloch des Bohrstahls nicht blockiert ist.

### ▲ VORSICHT Heißes Werkzeug

Die Spitze des Werkzeugs kann während des Betriebs sehr heiß und scharf werden. Das Berühren der Spitze kann zu Verbrennungen und Schnittverletzungen führen.

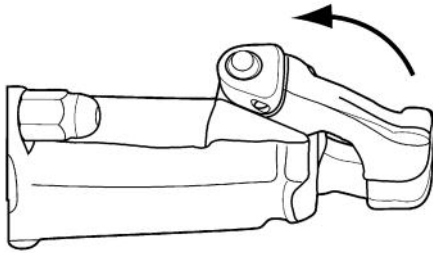
- ▶ Berühren Sie niemals ein heißes oder scharfes Werkzeug.
- ▶ Warten Sie mit eventuellen Wartungsarbeiten bis sich das Werkzeug abgekühlt hat.

*HINWEIS* Kühlen Sie ein heißes Werkzeug niemals in Wasser ab. Dies könnte zur Versprödung des Werkzeugs und zu dessen vorzeitigem Ausfall führen.

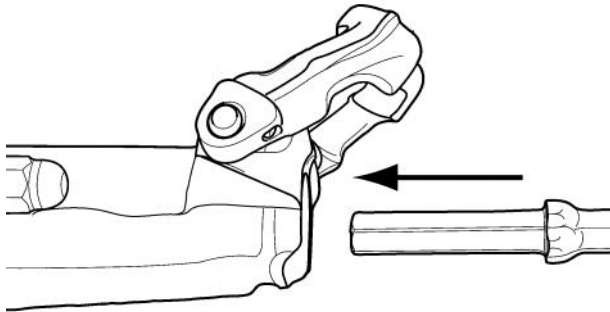
### Einsetzen des Bohrstahls

Bei jedem Einsetzen des Bohrstahls müssen die folgenden Anweisungen beachtet werden:

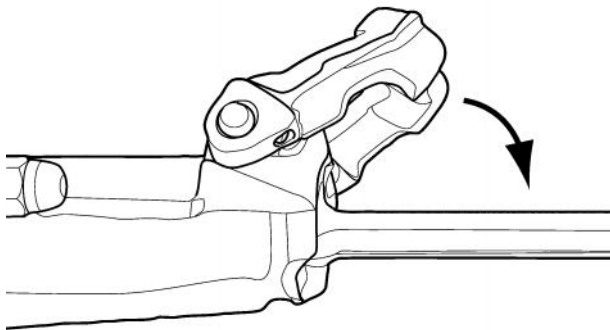
1. Drücken Sie die Werkzeughalterung nach außen in Pfeilrichtung, bis der vordere Teil der Aufnahme die Bohrstahlmanschette aufnehmen kann.



2. Setzen Sie den Bohrstahl in das Bohrfutter ein.



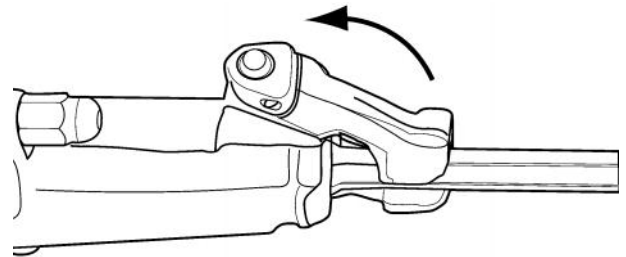
3. Wenn der Bohrer den Anschlag berührt, drücken Sie den Werkzeughalter zum Verriegeln zurück.



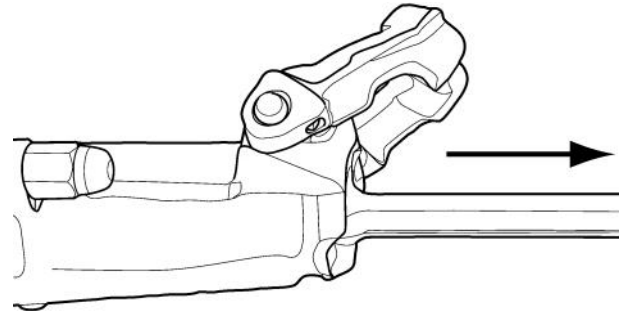
### Entnehmen des Bohrstahls

Bei jedem Entnehmen des Bohrstahls müssen die folgenden Anweisungen beachtet werden:

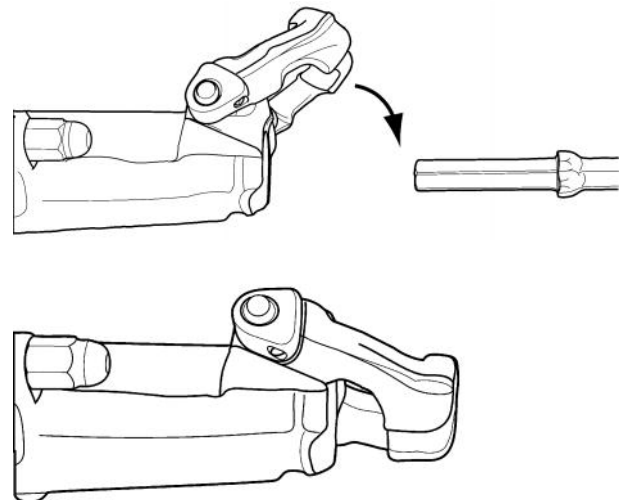
1. Drücken Sie den Werkzeughalter nach außen in Pfeilrichtung, bis sich die Bohrstahlmanschette vom vorderen Ende des Halters löst.



2. Ziehen Sie den Bohrstahl heraus.



3. Drücken Sie den Werkzeughalter zurück.



### Betrieb

#### ▲ WARNUNG Unbeabsichtigter Start

Unbeabsichtigtes Starten der Maschine kann zu Verletzungen führen.

- ▶ Halten Sie Ihre Hände so lange vom Start- und Stoppschalter fern, bis Sie zum Starten der Maschine bereit sind.
- ▶ Machen Sie sich damit vertraut, wie die Maschine im Notfall ausgeschaltet wird.
- ▶ Stoppen Sie die Maschine bei jeglicher Unterbrechung der Energieversorgung.

## Vorbereitungen vor der Inbetriebnahme

### Prüfen der Bohrausrüstung

- ◆ Stellen Sie sicher, dass die gesamte Bohrausrüstung in einwandfreiem Zustand ist.
- ◆ Prüfen Sie, ob die Arbeitsfläche des Bohrstahl-Einsteckendes glatt und frei von Verschleißspuren ist.
- ◆ Stellen Sie sicher, dass die Luftzufuhr und der Luftauslass frei von Fremdkörpern sind.
- ◆ Stellen Sie sicher, dass die Spülöffnungen im Bohrstahl und in der Bohrspitze nicht blockiert sind und dass Spülluft und -wasser ungehindert fließen können.
- ◆ Stellen Sie sicher, dass der Luftfilter (befindet sich im Luftnippel) nicht gerissen oder verdreht ist.
- ◆ Stellen Sie sicher, dass die Anschlüsse dicht sind.

### ▲ GEFAHR Ausschlagender Druckluftschlauch

Ein Druckluftschlauch, der sich gelöst hat, kann ausschlagen und lebensgefährliche Verletzungen verursachen.

- ▶ Stellen Sie sicher, dass Druckluftschlauch und Anschlüsse unbeschädigt sind.
- ▶ Stellen Sie sicher, dass sämtliche Druckluftanschlüsse korrekt befestigt sind.

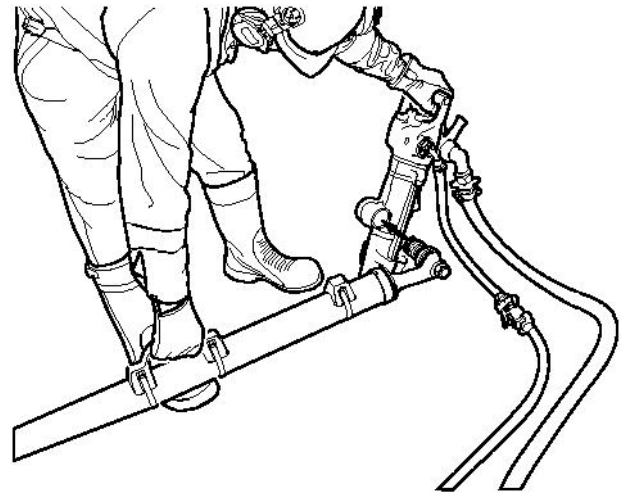
### Ausblasen des Luftschlauchs

- ◆ Der Luftschlauch muss täglich vor dem Einsatz des Bohrhammers ausgeblasen werden, um von angesammelten Verunreinigungen und Feuchtigkeit befreit zu werden.

### Schmiervorrichtung mit Öl füllen

- ◆ Stellen Sie sicher, dass das Spannfutter und der Bohrstahtschaft immer mit einem Ölfilm bedeckt sind.

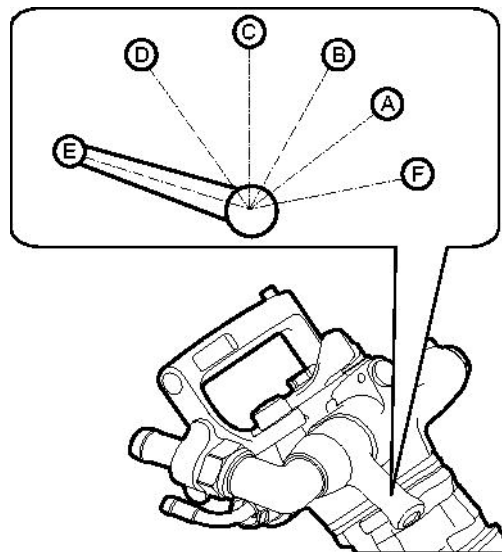
## Anbringen der Vorschubstütze am Bohrhammer



Die Vorschubstütze muss über den Bajonettverschluss mit dem Bohrhammer verbunden werden.

## Bedienelemente

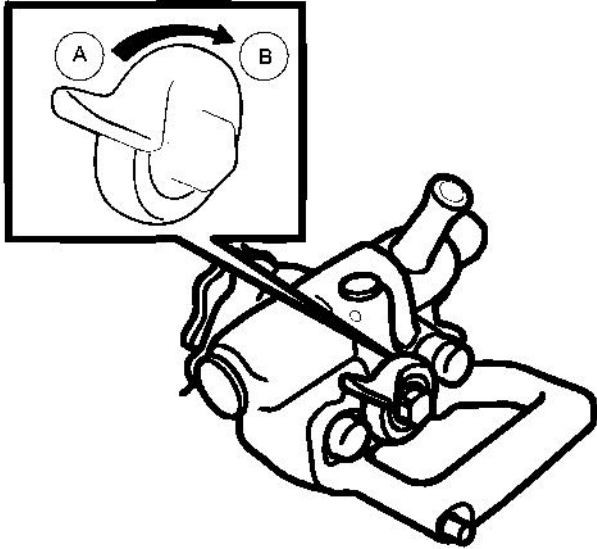
### Drosselhebel



Der Bohrhammer ist zur Regulierung der Druckluft für den Schlagmechanismus und des Spülwassers mit einem Drosselhebel ausgerüstet.

- A. Drosselventil geschlossen (Stopp-Position). Nur zum Ausblasen.
- B. Luft für Vorschubstütze.
- C. Spülwasser
- D. Luft für Schlagmechanismus.
- E. Drosselhebel vollständig geöffnet (Maximalstellung).
- F. Extraspülung

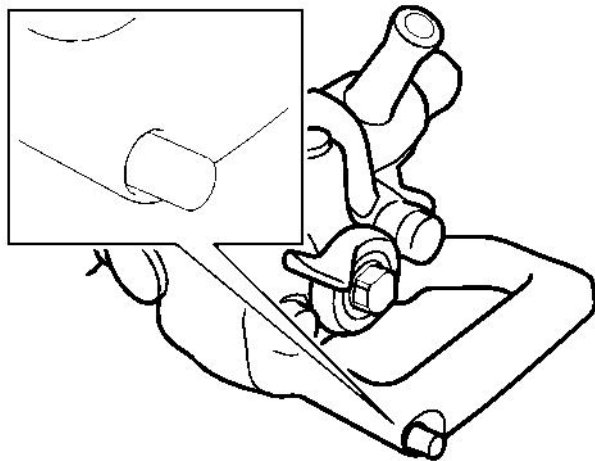
## Vorschubhebel



Stellen Sie die Vorschubkraft mithilfe des Vorschubhebels wie folgt ein:

- ◆ Drehen Sie den Vorschubhebel im Uhrzeigersinn (B), um die Vorschubkraft zu erhöhen.
- ◆ Drehen Sie den Vorschubhebel gegen den Uhrzeigersinn (A), um die Vorschubkraft zu verringern.
- ◆ In der geschlossenen Stellung (A) ist die Vorschubstütze entlüftet.

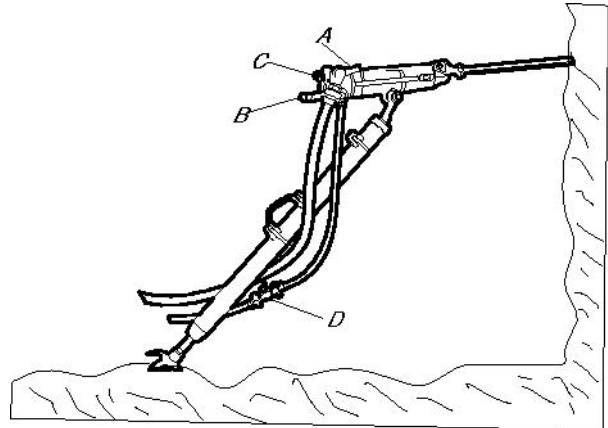
## Ventilstift



Durch Drücken des Ventilstifts stoppt der Vorschub sofort, unabhängig von der Einstellung am Vorschubhebel. Die Kolbenstange in der Vorschubstütze wird automatisch zurückgezogen. Diese Funktion dient z. B. dazu, die Lage des Bohrhammers beim Ansetzen oder bei Klemmneigung zu korrigieren. Wird der Ventilstift losgelassen, ist der Vorschubhebel wieder aktiviert.

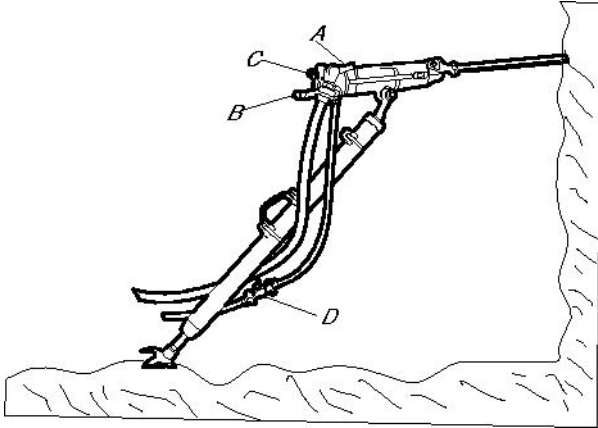
## Start und Stopp

### Starten des Bohrhammers



1. Öffnen Sie das Hauptventil für die Druckluft.
2. Öffnen Sie den Hahn (D) für das Spülwasser.
3. Stellen Sie den Vorschubhebel (C) auf eine für das Anbohren geeignete Vorschubkraft ein.
4. Halten Sie den Bohrhammer so, dass der Bohrsteel den gewünschten Ansatzpunkt berührt.
5. Schieben Sie den Drosselhebel (A) etwas nach vorn, und Wasserspülung, Schlagmechanismus und Rotation setzen ein.
6. Beginnen Sie die Bohrung mit verringerter Vorschubkraft.
7. Schieben Sie den Drosselhebel (A) ganz nach vorn, wenn der Bohrsteel ausreichend Führung im Gestein erlangt hat.
8. Stellen Sie die Vorschubkraft mithilfe des Vorschubhebels (C) so ein, dass eine maximale Vorschubgeschwindigkeit erreicht wird.

### Anhalten des Bohrhammers



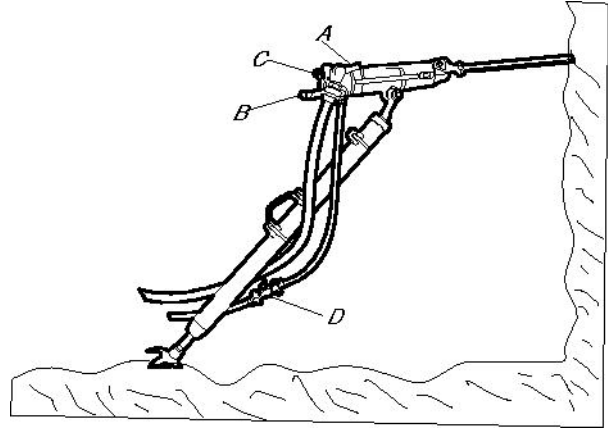
1. Schieben Sie den Drosselhebel (A) zurück, und Schlagmechanismus, Rotation und Wasserspülung halten an.
2. Bringen Sie den Vorschubhebel (C) in die geschlossene Stellung.

## Betrieb

### Bohren

- ◆ Tragen Sie stets Sicherheitsschuhe, Handschuhe, einen Helm, Gehörschutz und eine Schutzbrille mit seitlicher Abschirmung der Augen.
- ◆ Stehen Sie sicher und halten Sie die Maschine immer mit beiden Händen fest.
- ◆ Drücken Sie das Einsteckwerkzeug vor dem Start der Maschine auf die Oberfläche des zu bearbeitenden Objekts.

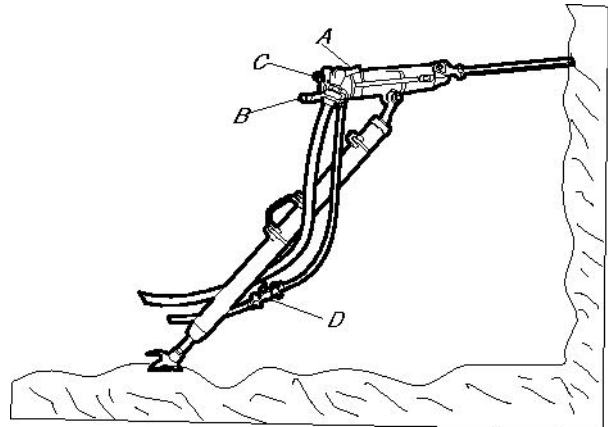
### Neupositionieren der Vorschubstütze



1. Schalten Sie Schlagmechanismus und Spülung mit dem Drosselhebel (A) aus.
2. Drücken Sie den Ventilstift (B), wodurch die Kolbenstange automatisch in den Zylinder der Vorschubstütze zurückgezogen wird.
3. Richten Sie die Vorschubstütze neu aus.
4. Lassen Sie den Ventilstift (B) los, wodurch die Kolbenstange wieder ausfährt.
5. Schieben Sie den Drosselhebel (A) wieder nach vorn in Arbeitsstellung.

Der Vorschubhebel (C) muss für diesen Vorgang nicht verwendet werden.

### Ausblasen des Bohrlochs



Wenn ein Ausblasen des Bohrlochs erforderlich ist:

- 1) Stellen Sie den Hebel (A) über die Stopposition hinaus ganz zurück auf „Extraspülung“ (siehe „Bedienelemente“) – und der Bohrvorgang hält an. Dies ist während des Bohrvorgangs möglich.
- 2) Stellen Sie den Hebel nach dem Ausblasen wieder nach vorn – und der Bohrvorgang startet wieder.

## Einlegen von Pausen

- ◆ Legen Sie den Bohrhämmer auf einen Stein, ein Holzbrett oder ein ähnliches Objekt, um zu verhindern, dass Gesteinsbrösel oder andere Fremdkörper in das Bohrfutter eindringen.
- ◆ Stellen Sie zuerst die Wasserzufuhr und dann die Druckluft ab. Lassen Sie den Bohrhämmer nach dem Abstellen der Wasserzufuhr ein paar Minuten weiterlaufen, um restliches Wasser und Feuchtigkeit auszublasen.



1985 5123 45

## Wartung

Eine regelmäßige Wartung ist die Grundvoraussetzung für den Erhalt der Sicherheit und Effektivität der Maschine. Halten Sie sich bitte genau an die Wartungsanweisungen.

- ◆ Säubern Sie die Maschine vor dem Start, um gefährliche Substanzen fernzuhalten. Siehe „Gefahren durch Abgase und Staub“
- ◆ Verwenden Sie ausschließlich Originalbauteile. Schäden oder Fehlfunktionen, die durch den Einsatz unzulässiger Bauteile entstehen, werden nicht durch Garantie oder Produkthaftung abgedeckt.
- ◆ Stellen Sie beim Reinigen mechanischer Teile mit Lösungsmittel sicher, dass die geltenden Gesundheits- und Sicherheitsvorschriften eingehalten werden und für ausreichende Lüftung gesorgt ist.
- ◆ Für eine Hauptdurchsicht der Maschine wenden Sie sich an Ihre nächste Vertragswerkstatt.
- ◆ Prüfen Sie nach jeder Wartung, ob die Vibrationsstärke der Maschine normal ist. Ist dies nicht der Fall, wenden Sie sich an Ihre nächste Vertragswerkstatt.

## Unterschiede zwischen Originalersatzteilen und baugleichen Ersatzteilen

Stellen Sie beim Kauf von Ersatzteilen zunächst fest, ob es sich um ein Originalersatzteil von Atlas Copco handelt. Ersatzteile können meistens identifiziert werden.

Bohrhammerbauteile von Atlas Copco sind normalerweise mit einer Artikelnummer und dem Atlas Copco-Logo, ein Kreis mit einem Bohrhämmer, gekennzeichnet. In seltenen Fällen sind Bauteile nur mit dem Logo oder der Artikelnummer gekennzeichnet.

Bauteile aus Gummi oder Kunststoff sind in der Regel nicht gekennzeichnet.

Bei kopierten Konkurrenzprodukten sind oft nur die größeren, teuren Ersatzteile gekennzeichnet. Einige Teile haben nur eine Artikelnummer, andere haben auch ein Herstellerlogo, z. B. Initialen. In diesen Fällen sind die Artikelnummern oft von Hand geprägt und sehen unregelmäßig aus. Von Atlas Copco geprägte Artikelnummern sind regelmäßig und alle Zeichen haben die gleiche Größe. Ebenso fallen Prägetiefe und Zwischenabstände der Zeichen gleichmäßig aus.

## Täglich

Schalten Sie bei pneumatischen Maschinen vor jeder Wartung oder jedem Wechsel des Werkzeugs stets die Luftversorgung aus und entlüften Sie die Maschine durch Betätigen des Start- und Stoppschalters. Trennen Sie anschließend den Luftschlauch von der Maschine.

- ◆ Säubern und prüfen Sie die Maschine auf ihre Funktionsfähigkeit täglich vor Arbeitsbeginn.
- ◆ Führen Sie eine allgemeine Prüfung auf Undichtigkeiten und Beschädigungen durch.
- ◆ Stellen Sie sicher, dass der Einlassnippel festgezogen und die Klauenkupplung nicht beschädigt ist.
- ◆ Prüfen Sie die Funktion des Drosselhebels. Stellen Sie sicher, dass dieser sich frei nach oben und unten bewegen lässt.
- ◆ Prüfen Sie die Funktion der Aufnahme. Stellen Sie sicher, dass der Bohrstahl in der Aufnahme arretiert ist.
- ◆ Wechseln Sie beschädigte Bauteile sofort aus.
- ◆ Ersetzen Sie verschlissene Komponenten rechtzeitig.

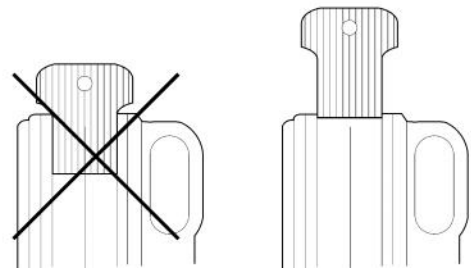
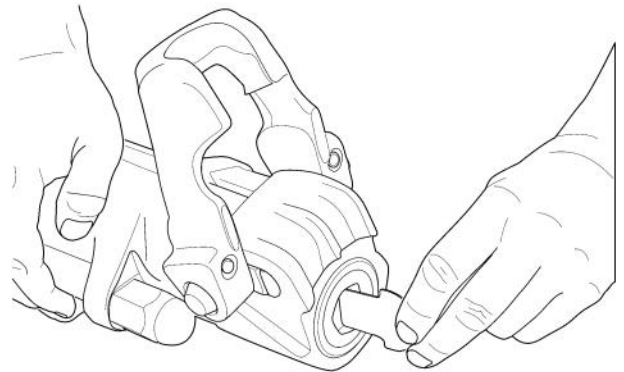


- ◆ Prüfen Sie die durchgehenden Bolzen der Maschine, und stellen Sie sicher, dass diese fest angezogen sind.
- ◆ Prüfen Sie den Schalldämpfer der Maschine (sofern vorhanden).

## Prüfen auf Abnutzung

1. Prüfen Sie den Verschleiß der Spann Futteraufnahme mithilfe der Lehre Atlas Copco-Nr. **(3091 0038 00)** (22 mm).

Wenn die Verschleißgrenze überschritten ist, nutzt sich das Einsteckende des Bohrstahts schneller ab oder verformt sich. Dies führt zu Betriebsunterbrechungen und zu einem erhöhten Verbrauch von Bohrstaht.



2. Prüfen Sie das Anzugsdrehmoment der Seitenbolzenmuttern (A). Ziehen Sie sie mit 130 Nm fest.



3. Prüfen Sie die Verbindung von Bohrhämmer und Vorschubstütze.

4. Prüfen Sie Schläuche, Kupplungen und Steuerelemente auf Undichtigkeiten und Beschädigungen.
5. Stellen Sie sicher, dass der Bohrhämmer und die Druckluftstütze ausreichend geschmiert sind. Füllen Sie die Schmiervorrichtung bei Bedarf auf.
6. Leeren Sie den Wasserabscheider.
7. Prüfen Sie Luft- und Wasserdruck. Stellen Sie sicher, dass der Wasserdruck mindestens 1 Bar unter dem Luftdruck liegt.

- Verwenden Sie zum Schutz des Bohrfutters die mit der Maschine gelieferte Kunststoffabdeckung. Alternativ eignet sich auch ein passendes Stück Holz oder ein sauberer Baumwollappen.
- Füllen Sie bei längerer Lagerung etwas Öl direkt in die Luftzufuhr des Bohrhammers ein und schalten Sie kurz die Druckluft ein. Dadurch ist die Maschine vor Rost geschützt.

## Regelmäßige Wartung

Nach etwa 100 Betriebsstunden oder dreimal pro Jahr muss die Maschine zerlegt und alle Teile gereinigt und geprüft werden. Diese Arbeit muss von speziell hierfür geschultem Personal durchgeführt werden.

## Schadensmuster

Verschlossene oder gebrochene Bauteile sollten vor dem Auswechseln stets genau untersucht werden. Sie können wichtige Hinweise über den Zustand des Bohrhammers und die Art und Weise seiner Benutzung und Wartung geben.

Problem	Ursache
Stahlteile sind bläulich verfärbt	Die Teile sind extrem heiß geworden. Dies kann an unzureichender Schmierung oder zu wenig Leerlauf liegen
Stahlteile weisen kleine, fast mikroskopische Risse an der Verschleißoberfläche auf	Siehe oben
unregelmäßige Vertiefungen auf Bronzeoberflächen	Siehe oben
Schnittspuren	Sekundärer Schaden Verunreinigungen im Bohrer
	Fluchtungsfehler aufgrund ungleichmäßig angezogener Seitenbolzen

## Lagerung

- Ölen Sie den Bohrhämmer vor dem Einlagern immer gut ein.
- Lagern Sie die Maschine immer an einem sauberen und trockenen Ort.
- Stellen Sie sicher, dass keine Fremdkörper in die Maschine gelangen.

## Entsorgung

Eine verschlossene Maschine muss so entsorgt werden, dass so viel Material wie möglich wiederverwendet werden kann und die Umwelt in Übereinstimmung mit den örtlichen Regelungen so wenig wie möglich belastet wird.

# Technische Daten

## Fehlersuche

Problem	Ursache	Lösung
Nachlassende Vorschubgeschwindigkeit	Undichte Druckluftschläuche oder Kupplungen	Wechseln Sie die Dichtungen oder erneuern Sie ggf. das Vorschub-Drosselventil
	Hauptventil (Klappventil) undicht	Schleifen Sie das Hauptventil neu ein, so dass es gut abdichtet
	Dreh-Bohrfutterbuchse	Prüfen Sie die Spann Futteraufnahme mit der Lehre <sup>1</sup> auf übermäßige Abnutzung. Die zulässige Verschleißgrenze ist erreicht, wenn die Lehre so weit zwischen den beiden gegenüberliegenden Seiten der Sechskantöffnung eingeführt werden kann, dass ihre Schultern die Buchse berühren
	Luftundichtigkeit aufgrund verschlissener Kolben/Zylinder	Wechseln Sie den Kolben und/oder den Zylinder
	Luftundichtigkeit aufgrund verschlissener Zwischenstücke/Führungen	Wechseln Sie das verschlissene Teil aus
	Eisbildung im Schalldämpfer	Lassen Sie das Eis bei Raumtemperatur abtauen
Vorschubkraft zu gering	Kolbenstangendichtung verschlissen oder deformiert	Wechseln Sie die Dichtung
Rotation zu gering	Keilnuten der Drehmutter verschlissen	Wechseln Sie die Drehmutter, wenn die Keilnuten verschlissen sind
	Nuten des Sperrrads verschlissen	Wechseln Sie ggf. die Sperrachse
	Keilnuten am Kolben verschlissen	Wechseln Sie ggf. den Kolben
	Verzahnung in Ratsche	Ersetzen Sie das Ratschengehäuse, wenn das Zahnbett so stark verschlissen ist, dass die Klinken schlecht greifen
	Verzahnung in Ratsche	Ersetzen Sie das Sperrklinkenrad, wenn die Verzahnung so stark verschlissen ist, dass die Klinken schlecht greifen
	Bohrfutmutter verschlissen	Wechseln Sie die Bohrfutmutter, wenn die Keilnuten auf ½ der Keilbreite verschlissen sind
	Klinken verschlissen	Wechseln Sie alle Klinken, alle Klinkenfedern und alle Klinkenstifte
Unregelmäßiger Lauf	Der Kolben ist im Zwischenteil oder in der Kolbenführung blockiert	Wechseln Sie das Zwischenteil/die Kolbenführung. Polieren Sie ggf. den Kolben. Prüfen Sie den Kolben auf Hitzeschäden, z. B. blaue Verfärbung und/oder Risse. Wechseln Sie bei derartigen Schäden auch den Kolben
	Hauptventil verunreinigt oder beschädigt. Verursacht durch Verunreinigungen oder Fremdkörper, die mit der Druckluft in den Bohrer eindringen	Säubern und polieren Sie das Ventil, so dass es an der gegenüberliegenden zylindrischen und flachen Dichtungsfläche abdichtet. Wenn dies aufgrund zu starker Beschädigung nicht möglich ist, muss das Ventil ersetzt werden
	Einfrieren. Verursacht durch Undichtigkeiten im Spülsystem, durch Wasser in der Druckluft oder durch zu hohen Wasserdruck <sup>2</sup>	Prüfen Sie die Spülröhren und Dichtungen sowie den Wasserdruck <sup>2</sup> . Entfernen Sie das Wasser aus dem Druckluftsystem. Besteht das Problem weiterhin, setzen Sie einen Wasserabscheider für die Druckluftleitungen ein
Ungleichmäßiger Lauf (Forts.)	Die Seitenschrauben sind ungleichmäßig oder zu wenig angezogen. Dadurch können verschiedene Bauteile ihre Ausrichtung verlieren und bewegliche Teile können sich verklemmen. Bei zu starken Belastungen der Seitenbolzen kann das Gewinde ausreißen.	Prüfen Sie auf und reparieren Sie Schäden an den Auflagepunkten und ziehen Sie die Seitenbolzen mit dem vorgeschriebenen Anzugsdrehmoment fest
Übermäßiger Verschleiß der Dreh-Bohrfutterbuchse	Unzureichende Schmierung (Kann mögliche Sekundärschäden verursachen)	Prüfen Sie die Bohrfutterbuchse mit der dafür vorgesehenen Lehre <sup>1</sup> . Die zulässige Verschleißgrenze ist erreicht, wenn die zwischen zwei gegenüberliegenden Flächen eingeführte Lehre <sup>1</sup> den Boden berührt. Prüfen Sie den Wasserdruck <sup>2</sup> – dieser muss geringer als der Luftdruck sein <sup>2</sup> .
Der Bohrer wird heiß	Ölmangel	Füllen Sie Öl nach und prüfen Sie, ob es durchläuft. Es genügt nicht, wenn Öl in der Abluft ist. Der Bohrstahlschaft muss ebenfalls mit einem Ölfilm bedeckt sein. Stellen Sie sicher, dass die Schmiervorrichtung in der richtigen Richtung angeschlossen ist.
Einfrieren	Feuchtigkeit in der Druckluft	Verwenden Sie Wasserabscheider

Problem	Ursache	Lösung
	Wasserdruck ist höher <sup>2</sup> als der Luftdruck	Verringern Sie den Wasserdruck
Wasserrohrbruch	Versatz des Schafts	Wechseln Sie den Bohrstahl oder die Bohrfutterbuchse oder beides
	Beschädigte Spülöffnung im Schaft	Wechseln Sie den Bohrstahl
Kolbenende gesplittert	Versatz des Schafts	Wechseln Sie den Bohrstahl oder die Bohrfutterbuchse oder beides
	Übermäßiger Verschleiß des Kolbenendes	Wechseln Sie den Kolben
Keilnuten gebrochen	Zu wenig Schmierung	Verringern Sie den Wasserdruck <sup>2</sup> , falls er nicht geringer als der Luftdruck ist
		Erhöhen Sie die Schmierung oder wechseln Sie das Öl
	Eindringen von Verunreinigungen (besonders beim Bohren nach oben)	Verringern Sie das Wartungsintervall
Kolben gebrochen	Zu wenig Schmierung	Verringern Sie den Wasserdruck, wenn dieser gleich oder größer ist als der Luftdruck
		Erhöhen Sie die Schmierung oder wechseln Sie das Öl
	Ungleichmäßiger Anzug der Seitenschrauben	Ziehen Sie die Schrauben richtig an
	Zwischenteil/Kolbenführung verschlissen (kann durch Kissentest geprüft werden)	Ersetzen Sie das verschlissene Teil
Seitenschrauben gebrochen	Ungleichmäßige Belastung der Schrauben	Ziehen Sie die Schrauben richtig an

<sup>1</sup> Lehre für Bohrfutterbuchse 22 mm (7/8") Sechskantschaft, Atlas Copco-Nr. 3091 0038 00.

<sup>2</sup> Verwenden Sie zum Messen des Luft- und Wasserdrucks das Manometer Atlas Copco-Nr. 9090 0550 80.

## Maschinendaten

Typ	Teilenummer	Kolbenbohrung mm (in.)	Kolbenhub mm (in.)	Gesamtlänge mm (in.)	Gewicht kg (lb)	Schaftgröße mm (in.)
BBC 16W	8311 0401 10	70 (2¾)	55 (2⅛)	710 (28)	26.0 (57.3)	22 X 108 (7/8 x 4¼)
BBC 16WS	8311 0303 46	70 (2¾)	55 (2⅛)	710 (28)	27.0 (59.5)	22 X 108 (7/8 x 4¼)
BBC 34W	8311 0408 05	80 (3½)	70 (2¾)	775 (30½)	31.0 (68.3)	22 X 108 (7/8 x 4¼)
BBC 34WS	8311 0303 47	80 (3½)	70 (2¾)	775 (30½)	32.0 (70.5)	22 X 108 (7/8 x 4¼)

Typ	Luftdurchsatz (6 bar) l/s (foot <sup>3</sup> /min)	Schlagfrequenz (6 bar) Hz	Bohrloch durchmesser mm (in.)	Aufweitedurchmesser mm (in.)
BBC 16W	69 (146)	39	27-41 (1-1.6)	≤76 (≤3)
BBC 16WS	69 (146)	39	27-41 (1-1.6)	≤76 (≤3)
BBC 34W	88 (186)	38	27-41 (1-1.6)	≤76 (≤3)
BBC 34WS	88 (186)	38	27-41 (1-1.6)	≤76 (≤3)

## Angaben zu Geräuschemission und Vibration

Garantierter Schalleistungspegel **L<sub>w</sub>** gemäß EN ISO 3744 in Übereinstimmung mit der Richtlinie 2000/14/EG. Schalldruckpegel **L<sub>p</sub>** gemäß ISO 11203.

Vibrationswert **A** und Unsicherheit **B**, ermittelt gemäß ISO 5349-2. Die Werte A, B usw. sind in der Tabelle „Angaben zu Geräuschemission und Vibration“ enthalten.

Die angegebenen Werte wurden durch Bauartprüfung im Labor entsprechend den angegebenen Richtlinien bzw. Normen ermittelt und eignen sich nur für den Vergleich mit den angegebenen Werten anderer Werkzeuge, die entsprechend den gleichen Richtlinien bzw. Normen ermittelt wurden. Die angegebenen Werte eignen sich nicht zur Verwendung in Risikoanalysen, denn die in individuellen Arbeitsumgebungen gemessenen Werte können höher sein. Die tatsächliche Belastung und das Verletzungsrisiko für den einzelnen Anwender hängen jeweils von der Arbeitsweise des Anwenders, vom bearbeiteten Material, von der Belastungsdauer, von der physischen Kondition des Anwenders und vom Zustand der Maschine ab.

Atlas Copco Construction Tools AB haftet nicht für Folgen, falls die genannten Werte anstelle der Werte verwendet werden, die der tatsächlichen Belastung entsprechen, hervorgehend aus einer individuellen Risikoanalyse in einer Arbeitsplatzsituation, die wir nicht beeinflussen können.

Diese Maschine kann das Hand-Arm Vibrationssyndrom auslösen, wenn sie nicht angemessen bedient wird. Eine EU-Richtlinie zum Umgang mit Hand-Arm-Vibrationen ist über <http://www.humanvibration.com/EU/VIBGUIDE.htm> abrufbar.

Wir empfehlen ein Gesundheitsüberwachungsprogramm zur Erkennung auch erster Symptome, die möglicherweise auf eine Vibrationsbelastung zurückzuführen sind, so dass betriebliche Maßnahmen zur Vorbeugung jeglicher Beeinträchtigungen ergriffen werden können.

## Angaben zu Geräuschemission und Vibration

Typ	Geräuschemission		Vibration	
	Angegebene Werte		Angegebene Werte	
	Schalldruck	Schalleistung	Dreiachsenwerte	
	ISO 11203	ISO 15744	ISO 5349-2	
	L <sub>p</sub> r=1m dB(A) bei 20 µPa	L <sub>w</sub> garantiert dB(A) bei 1 pW	A m/s <sup>2</sup> Wert	B m/s <sup>2</sup> Verteilung
BBC 16W	111	122	16.6	-
BBC 16WS	103	114	16.6	-
BBC 34W	116	127	20.4	-
BBC 34WS	109	120	20.4	-

## Zubehör

Beschreibung	Anmerkung	Anzahl	Teilenummer
CLG 30, Europäischer Typ	Sowohl für Mineralöl als auch für synthetisches Öl	1	8202 5102 39
BLG 30, Europäischer Typ	Für Mineralöl	1	8202 5102 05
VAM 5A, Europäischer Typ	Luftstrom <120 l/s (254 ft <sup>3</sup> /min)	1	8092 0110 82
Gummischlauch, vormontiert	25 mm (1 in.), 3 m (10 ft)	1	9030 2051 00
X-LITE Flachschauch, universal	25 mm (1 in.), 20 m (65 ft)	1	9030 2111 00
Rock Drill AIR-OIL	10 l	1	8099 0201 10
Rock Drill AIR-OIL	208 l	1	8099 0201 28

## Vorschubstützen

Typ	Teilenummer	Passend für Bohrhammer	Vorschublänge mm	Länge zurückgezogen mm	Länge ausgefahren mm	Gewicht kg	Kolbenbohrung mm
<b>Einzelteleskop</b>							
BMT 51	8321 0301 01	BBC 16W/WS, BBC 34W/WS	1300	1658	2958	15	60
ALF 71	8321 0201 94	BBC 16W/WS, BBC 34W/WS	1300	1805	3105	14	70
ALF 71-1	8321 0201 95	BBC 16W/WS, BBC 34W/WS	950	1455	2405	13	70
<b>Doppelteleskop</b>							
ALF 67/80	8321 0201 85	BBC 16W/WS, BBC 34W/WS	1855	1495	3350	17	67/80

# EG-Konformitätserklärung

## EG-Konformitätserklärung (EG-Richtlinie 2006/42/EG)

Wir, die Atlas Copco Construction Tools AB, erklären hiermit, dass die nachfolgend aufgelisteten Maschinen die Bestimmungen der EG-Richtlinien 2006/42/EG (Maschinenrichtlinie) sowie die nachfolgend genannten harmonisierten Normen erfüllen.

Stützenbohrhämme	Teilenummer	Pmax [bar]
BBC 16W	8311 0401 10	7
BBC 16WS	8311 0303 46	7
BBC 34W	8311 0408 05	7
BBC 34WS	8311 0303 47	7

### Bevollmächtigter für die technische Dokumentation:

Erik Sigfridsson  
 Atlas Copco Construction Tools AB  
 Dragonvägen 2  
 Kalmar

### Geschäftsführer:

Erik Sigfridsson

### Hersteller:

Atlas Copco Construction Tools AB  
 105 23 Stockholm  
 Sweden

### Ort und Datum:

Kalmar, 2010-01-01

## ESPAÑOL

**Contenido**

<b>Introducción</b> .....	83
<b>Acerca de las instrucciones de seguridad y de funcionamiento</b> .....	83
<b>Instrucciones de seguridad</b> .....	84
<b>Terminología de las señales de seguridad</b> .....	84
<b>Precauciones y cualificaciones del personal</b> .....	84
Equipo de protección personal .....	84
Drogas, alcohol y medicación .....	84
<b>Instalación, precauciones</b> .....	84
<b>Funcionamiento, precauciones</b> .....	85
<b>Mantenimiento, precauciones</b> .....	89
<b>Almacenaje, precauciones</b> .....	89
<b>Visión general</b> .....	90
<b>Diseño y funcionamiento</b> .....	90
Principio de funcionamiento de una perforadora .....	90
Mecanismo de la válvula de control .....	90
Mecanismo de rotación .....	90
Barrido .....	90
<b>Piezas principales</b> .....	91
<b>Etiquetas</b> .....	91
Placa de datos .....	91
Etiqueta de seguridad .....	91
<b>Instalación</b> .....	91
<b>Desempaquetado de la perforadora</b> .....	91
Protecciones de plástico .....	91
Lubricación .....	91
<b>Mangueras y conexiones</b> .....	92
<b>Métodos para evitar la congelación</b> .....	92
<b>Conexión de un separador de agua</b> .....	92
<b>Lubricación</b> .....	92
<b>Ajuste de presión</b> .....	93
Presión del aire .....	93
Calibración correcta de la presión de aire .....	93
Presión del agua .....	93
<b>Barrena de perforación</b> .....	93
Antes de insertar la barrena de perforación .....	93
Inserción de la barrena de perforación .....	93
Desmontaje de la barrena de perforación .....	94
<b>Funcionamiento</b> .....	94
<b>Preparaciones antes de la puesta en marcha</b> .....	95
Control del equipo de perforación .....	95
Purga de la manguera de aire .....	95
Llenado de aceite del lubricador .....	95
Acoplamiento del empujador a la perforadora .....	95
<b>Controles</b> .....	95
Palanca de control .....	95
Palanca de control de avance .....	96
Pasador de válvula .....	96
<b>Puesta en marcha y parada</b> .....	96
Puesta en marcha de la perforadora .....	96
Detención de la perforadora .....	97
<b>En funcionamiento</b> .....	97



Perforación.....	97
Recolocación del empujador.....	97
Limpieza por barrido del barreno.....	97
<b>En los descansos.....</b>	<b>98</b>
<b>Mantenimiento.....</b>	<b>98</b>
<b>Diferencias entre las piezas originales y otras piezas.....</b>	<b>98</b>
<b>A diario.....</b>	<b>98</b>
<b>Comprobación del desgaste.....</b>	<b>99</b>
<b>Mantenimiento periódico.....</b>	<b>100</b>
<b>Patrones de daños.....</b>	<b>100</b>
<b>Almacenaje.....</b>	<b>100</b>
<b>Desechar.....</b>	<b>100</b>
<b>Especificaciones técnicas.....</b>	<b>101</b>
<b>Localización y resolución de problemas.....</b>	<b>101</b>
<b>Datos de la máquina.....</b>	<b>102</b>
<b>Declaración de ruido y vibraciones.....</b>	<b>103</b>
<b>Datos de ruido y vibraciones.....</b>	<b>103</b>
<b>Accesorios.....</b>	<b>103</b>
<b>Empujadores.....</b>	<b>104</b>
<b>Declaración CE de conformidad.....</b>	<b>105</b>
<b>Declaración CE de conformidad (Directiva 2006/42/CE).....</b>	<b>105</b>



## Introducción

Gracias por elegir un producto de Atlas Copco. Desde 1873, tenemos el compromiso de encontrar nuevas y mejores formas de satisfacer las necesidades de nuestros clientes. A lo largo de los años, hemos desarrollado diseños de productos innovadores y ergonómicos que han ayudado a mejorar y racionalizar el trabajo diario de nuestros clientes.

Atlas Copco cuenta con una sólida red de ventas y servicios a escala mundial formada por centros de atención al cliente y distribuidores repartidos por todo el mundo. Nuestros expertos son profesionales altamente cualificados que poseen amplios conocimientos sobre los productos y una gran experiencia con las aplicaciones. En todos los rincones del mundo ofrecemos asistencia al producto y nuestra experiencia para garantizar que nuestros clientes puedan trabajar siempre con la mayor eficiencia.

Para obtener más información, visite: [www.atlascopco.com](http://www.atlascopco.com)

Atlas Copco Construction Tools AB  
105 23 Stockholm  
Sweden

## Acerca de las instrucciones de seguridad y de funcionamiento

El objetivo de estas instrucciones es proporcionarle los conocimientos necesarios para usar la perforadora de roca de manera eficiente y segura. Asimismo, las instrucciones le aconsejan sobre el modo de realizar el mantenimiento regular de la perforadora.

Antes de utilizarla por primera vez debe leer estas instrucciones con atención y entenderlas en su totalidad.

## Instrucciones de seguridad

Para reducir el riesgo de que usted u otras personas padezcan lesiones graves o la muerte, lea las Instrucciones de seguridad y funcionamiento antes de instalar, usar, reparar o cambiar la máquina o de realizar su mantenimiento.

Exponga estas instrucciones de seguridad y funcionamiento en las zonas de trabajo, proporcione copias a los empleados y asegúrese de que todos las lean antes de utilizar o reparar la máquina.

Además, el operario o su empleador deberá evaluar los riesgos específicos que pueden surgir como resultado del uso de la máquina.

## Terminología de las señales de seguridad

Los términos de seguridad Peligro, Atención y Cuidado tienen los siguientes significados:

<b>PELIGRO</b>	Indica una situación de peligro que, si no se evita, ocasionará la muerte o lesiones graves.
<b>ADVERTENCIA</b>	Indica una situación de peligro que, si no se evita, podría ocasionar la muerte o lesiones graves.
<b>ATENCIÓN</b>	Indica una situación de peligro que, si no se evita, podría ocasionar lesiones menores o moderadas.

## Precauciones y cualificaciones del personal

Sólo personas calificadas y debidamente formadas pueden utilizar u ocuparse del mantenimiento de la máquina. Deben poder manejar físicamente el volumen, el peso y la potencia de la herramienta. Utilice siempre su sentido común y buen juicio.

### Equipo de protección personal

Utilice siempre equipo de protección autorizado. Los operarios y el resto del personal del área de trabajo deben llevar, como mínimo, el siguiente equipo de protección:

- Casco de protección
- Protección auditiva
- Protección ocular resistente a los impactos con protección lateral
- Protección respiratoria, cuando sea necesario
- Guantes protectores
- Botas protectoras adecuadas

- Una bata de trabajo adecuada o prenda similar (no holgada) que cubra los brazos y las piernas.

### Drogas, alcohol y medicación

#### ▲ ADVERTENCIA Drogas, alcohol y medicación

Las drogas, el alcohol y la medicación pueden alterar la capacidad de juicio y el poder de concentración. Las malas reacciones y las valoraciones incorrectas pueden provocar accidentes graves o la muerte.

- ▶ Nunca utilice la máquina cuando esté cansado o bajo los efectos de drogas, alcohol o medicinas.
- ▶ Nadie que esté bajo los efectos de drogas, alcohol o medicinas podrá manejar la máquina.

## Instalación, precauciones

### ▲ PELIGRO Manguera de aire suelta

Una manguera de aire comprimido suelta puede asestar latigazos y ocasionar lesiones o incluso la muerte. Para reducir este riesgo:

- ▶ Compruebe que la manguera de aire comprimido y las conexiones no estén dañadas y sustitúyalas si es necesario.
- ▶ Compruebe que todas las conexiones de aire comprimido estén debidamente conectadas.
- ▶ No arrastre nunca una máquina neumática por la manguera del aire.
- ▶ No intente nunca desconectar una manguera de aire comprimido que esté presurizada. En primer lugar, apague el suministro de aire comprimido del compresor y, a continuación, purgue la máquina activando el dispositivo de puesta en marcha y parada.
- ▶ No dirija nunca una manguera de aire comprimido hacia sí mismo ni a otras personas. Para evitar el riesgo de lesiones, no utilice nunca una manguera de aire comprimido para limpiar el polvo, la suciedad, etc. de la ropa.
- ▶ No utilice acoplamiento rápidos de desconexión en la entrada de la herramienta. Utilice fijaciones roscadas de la manguera de acero endurecido (o de otro material con una resistencia de choque similar).
- ▶ Siempre que se utilicen acoplamiento universales roscados (acoplamiento de garras), recomendamos que se coloquen pasadores de seguridad y se utilicen cables con válvula de seguridad para proteger la manguera ante posibles fallos de conexión de la manguera a la herramienta y entre mangueras.

**▲ ADVERTENCIA Herramienta de inserción retirada**

Si el retén de la herramienta de la máquina no está en una posición bloqueada, la herramienta insertada se podría retirar de forma forzosa, lo que podría causar lesiones personales.

- ▶ Nunca arranque la máquina mientras cambia la herramienta de inserción.
- ▶ Antes de cambiar la herramienta de inserción o los accesorios, pare la máquina, desconecte la alimentación y purgue la máquina activando el dispositivo de puesta en marcha y parada.
- ▶ Nunca dirija la herramienta insertada hacia usted ni hacia otras personas.
- ▶ Asegúrese de que la herramienta de inserción esté insertada completamente y que el retén de la herramienta esté en una posición bloqueada antes de arrancar la máquina.
- ▶ Compruebe la función de bloqueo tirando de la herramienta insertada hacia fuera con fuerza.

**▲ ADVERTENCIA Movimiento o deslizamiento de la herramienta de inserción**

Unas dimensiones incorrectas del vástago de la herramienta insertada pueden dar lugar a que ésta se pierda o resbale durante su uso. Riesgo de lesiones graves o de aplastamiento de manos y dedos.

- ▶ Compruebe que el vástago de la herramienta de inserción tenga la longitud y las dimensiones adecuadas para la máquina.
- ▶ Nunca utilice una herramienta de inserción sin un anillo.

**Funcionamiento, precauciones****▲ PELIGRO Peligro de explosión**

Si una herramienta de inserción caliente entra en contacto con explosivos, se podría producir una explosión. Al trabajar con ciertos materiales y al utilizar determinados materiales en las piezas de la máquina, se pueden producir chispas y fuego. Las explosiones producirán lesiones graves o la muerte.

- ▶ Nunca utilice la máquina en un entorno explosivo.
- ▶ Nunca utilice la máquina cerca de materiales inflamables, humos o polvo.
- ▶ Asegúrese de que no haya fuentes de gas ni explosivos no detectados.
- ▶ Nunca perforo un barreno antiguo.

**▲ ADVERTENCIA Movimientos inesperados**

La herramienta insertada está expuesta a fuertes tensiones cuando se utiliza la máquina. Además puede romperse por fatiga después de un cierto volumen de uso. Si la herramienta insertada se rompe o se atasca, es posible que haya movimientos repentinos e inesperados que pueden producir lesiones. Por lo tanto, si el usuario pierde el equilibrio o se resbala, podría sufrir lesiones.

- ▶ Asegúrese de estar siempre en una posición estable con los pies separados a la misma distancia que la anchura de los hombros, y con el peso del cuerpo equilibrado.
- ▶ Inspeccione siempre el equipo antes de usarlo. No utilice el equipo si cree que puede estar dañado.
- ▶ Compruebe que las empuñaduras estén limpias y que no tengan grasa ni aceite.
- ▶ Mantenga los pies lejos de la herramienta insertada.
- ▶ Manténgase firmemente de pie y agarre siempre la máquina con ambas manos.
- ▶ Nunca perforo un barreno antiguo.
- ▶ Nunca arranque la máquina cuando esté en el suelo.
- ▶ Nunca "pise" en la máquina con un pie sobre la empuñadura.
- ▶ No golpee nunca ni maltrate el equipo.
- ▶ Compruebe regularmente el desgaste de la herramienta de inserción y compruebe si hay signos de daños o grietas visibles.
- ▶ Preste atención y fíjese en lo que está haciendo.

**▲ ADVERTENCIA Peligro de calado**

Si la herramienta de inserción se atasca durante el funcionamiento, toda la máquina empezará a girar si deja de sujetarla. Este giro inesperado de toda la máquina podría provocar lesiones graves o la muerte.

- ▶ Manténgase de pie firmemente y agarre siempre la máquina con ambas manos.
- ▶ Compruebe que la empuñadura o las empuñaduras estén limpias y no estén sucias de grasa o aceite.
- ▶ Nunca perforo un barreno antiguo.

**▲ ADVERTENCIA Peligro de atrapamiento**

Existe el riesgo de que algún adorno del cuello, pelo, guantes o prenda de ropa se vea arrastrado o atrapado por la herramienta de inserción giratoria o sus accesorios. Esto puede provocar el estrangulamiento, arrancamiento del cuero cabelludo, desgarros o incluso la muerte. Para reducir el riesgo:

- ▶ Nunca agarre ni toque una barrena de perforación que esté girando.
- ▶ Evite llevar prendas, adornos del cuello o guantes que puedan quedar atrapados.
- ▶ Si tiene el pelo largo, cúbralo con una red.

**▲ ADVERTENCIA Peligros del polvo y del humo**

El polvo y los humos que se generan o dispersan al usar la máquina pueden causar dolencias o enfermedades respiratorias graves y permanentes u otras lesiones corporales (por ejemplo, silicosis y otras enfermedades pulmonares irreversibles que pueden resultar mortales, cáncer, malformaciones congénitas e inflamación de la piel).

El polvo y los humos generados por la perforación, la rotura, el martilleo, el aserrado, el esmerilado y otras actividades de construcción pueden contener sustancias consideradas por el Estado de California y otras autoridades como causantes de enfermedades respiratorias, cáncer, malformaciones congénitas y otros daños reproductivos. Algunos ejemplos de estas sustancias son:

- Sílice cristalino, cemento y otros productos de albañilería.
- Arsénico y cromo procedente del caucho tratado con sustancias químicas.
- Plomo procedente de pinturas al plomo.

El polvo y los humos del aire pueden ser invisibles a simple vista, así que no confíe en su buena vista para determinar si hay polvo o humos en el aire.

Para reducir el riesgo de exposición al polvo y a los humos, haga todo lo siguiente:

- ▶ Realice una evaluación del riesgo específica del emplazamiento. La evaluación del riesgo debe incluir el polvo y los humos generados por el uso de la máquina y la posibilidad de alterar el polvo existente.
- ▶ Utilice controles de ingeniería adecuados para minimizar la cantidad de polvo y humos presentes en el aire y para minimizar la acumulación de polvo sobre el equipo, las superficies, la ropa y las partes del cuerpo. Algunos ejemplos de controles son: sistemas de ventilación y captación de polvo, rociadores de agua y perforaciones con inyección de agua. Controle el polvo y los humos en el origen cuando sea posible. Asegúrese de que los controles se instalen, conserven y utilicen adecuadamente.
- ▶ Lleve, conserve y utilice correctamente la protección respiratoria según indican las instrucciones del empleador y según los requisitos de las normativas de salud y seguridad en el trabajo. La protección respiratoria debe ser eficaz para el tipo de sustancia concreta (y, si procede, aprobada por la autoridad gubernamental correspondiente).
- ▶ Trabaje en una zona bien ventilada.
- ▶ Si la máquina tiene tubo de escape, dirjalo convenientemente de forma que se mueva el menor polvo posible donde éste sea abundante.
- ▶ Maneje y conserve la máquina según lo recomendado en las instrucciones de funcionamiento y seguridad.
- ▶ Seleccione, conserve y sustituya los consumibles, la herramienta de inserción y demás accesorios según lo recomendado en las instrucciones de funcionamiento y seguridad. La selección incorrecta o la falta de mantenimiento de los consumibles, de la herramienta insertada y demás accesorios puede causar un aumento innecesario del polvo o de los humos.
- ▶ Lleve prendas protectoras lavables o desechables en el lugar de trabajo; dúchese y póngase ropa limpia antes de salir del lugar de trabajo para reducir su exposición al polvo y a los humos y la de otras personas, coches, casas y otras zonas.
- ▶ Nunca coma, beba ni fume en zonas donde haya polvo o humos.
- ▶ Lávese las manos y la cara a fondo lo antes posible cuando salga de la zona de exposición, y siempre antes de comer, beber, usar productos relacionados con el tabaco o tener contacto con otras personas.
- ▶ Cumpla todas las leyes y normativas aplicables, incluidas las normativas de salud y seguridad en el trabajo.

- ▶ Participe en los programas de control del aire y en los exámenes médicos y en los programas de formación de salud y seguridad proporcionados por su empleador o por las organizaciones sindicales y conformes con las normativas y recomendaciones de salud y seguridad en el trabajo. Consulte con médicos que tengan experiencia en medicina del trabajo.
- ▶ Colabore con su empleador y con la organización sindical para reducir la exposición al polvo y a los humos en las obras y para reducir los riesgos. Se deben crear y poner en práctica programas, políticas y procedimientos eficaces de salud y seguridad, para proteger a los trabajadores y a las demás personas contra la exposición nociva al polvo y a los humos, a partir del asesoramiento de expertos de salud y seguridad. Consulte con los expertos.

#### ▲ **ADVERTENCIA** **Proyectiles**

Un fallo de la pieza de trabajo, de los accesorios o incluso de la propia máquina puede generar proyectiles a alta velocidad. Durante el funcionamiento, las astillas y otras partículas del material de trabajo pueden actuar como proyectiles y causar daños corporales al golpear al operario o a otras personas. Para reducir estos riesgos:

- ▶ Utilice un equipo de protección personal aprobado y un casco de seguridad, incluida la protección ocular contra impactos con protección lateral.
- ▶ Asegúrese de que las personas no autorizadas no entren en la zona de trabajo.
- ▶ Mantenga el lugar de trabajo libre de objetos extraños.
- ▶ Asegúrese de que la pieza de trabajo esté bien sujeta.

#### ▲ **ADVERTENCIA** **Riesgos relacionados con las astillas**

El uso de la herramienta de inserción como herramienta manual de percusión puede hacer que salten astillas al operario y le provoquen lesiones personales.

- ▶ Nunca utilice una herramienta de inserción como herramienta manual de percusión. Está diseñada y tratada térmicamente para su uso específico en una máquina.

#### ▲ **ADVERTENCIA** **Peligros de deslizamiento, desconexión y caída**

Hay riesgo de deslizamiento, desconexión o caída, por ejemplo desconexión de las mangueras u otros objetos. El deslizamiento, la desconexión y la caída pueden provocar lesiones. Para reducir este riesgo:

- ▶ Asegúrese siempre de que no haya mangueras ni otros objetos que obstaculicen su paso o el de otras personas.
- ▶ Asegúrese de estar siempre en una posición estable, con los pies separados a la misma distancia que la anchura de los hombros, y con el peso del cuerpo equilibrado.

#### ▲ **ADVERTENCIA** **Riesgos relativos al movimiento**

Al usar la máquina para realizar actividades relacionadas con el trabajo, puede experimentar malestar en las manos, los brazos, los hombros, el cuello y otras partes del cuerpo.

- ▶ Adopte una postura cómoda manteniendo el pie firme y evitando extrañas posturas en desequilibrio.
- ▶ El cambio de postura durante las tareas prolongadas puede ayudar a evitar el malestar y la fatiga.
- ▶ En caso de tener síntomas continuos o periódicos, consulte a un profesional de la salud cualificado.

#### ▲ **ADVERTENCIA** **Riesgos relativos a las vibraciones**

El uso normal y correcto de la máquina expone al operario a las vibraciones. La exposición regular y frecuente a las vibraciones puede ocasionar lesiones o trastornos —o contribuir a provocarlos o agravarlos— en dedos, manos, muñecas, brazos, hombros y/o nervios y riego sanguíneo u otras partes del cuerpo del operario, incluidas lesiones o trastornos permanentes y/o debilitantes que pueden desarrollarse gradualmente durante periodos de semanas, meses o años. Estas lesiones o trastornos pueden consistir en el deterioro del sistema circulatorio sanguíneo, del sistema nervioso, de las articulaciones y otros daños en distintas zonas corporales.

Si en algún momento siente entumecimiento, malestar continuo periódico, ardor, agarrotamiento, dolor punzante, hormigueo, dolor, torpeza, débil agarre en las manos, piel pálida u otros síntomas, tanto si está usando la máquina como si no, deje de usarla, avise a su empleador y acuda al médico. El uso continuado de la máquina tras la aparición de alguno de estos síntomas puede hacer que aumente el riesgo de que los síntomas se agraven o se hagan permanentes.

Maneje y conserve la máquina según lo recomendado en estas instrucciones, con el fin de evitar un aumento innecesario de las vibraciones.

Las siguientes indicaciones pueden ayudar a reducir la exposición a las vibraciones para el operario:

- ▶ Deje que sea la máquina la que haga el trabajo. Agárrela lo mínimo, para controlarla correctamente y que su uso sea seguro.
- ▶ Si la máquina tiene empuñaduras de absorción de vibraciones, manténgalas en posición central, evitando presionarlas en los toques finales.
- ▶ Cuando se active el mecanismo de percusión, el único contacto corporal con la máquina que se debe tener es el de las manos en la empuñadura o las empuñaduras. Evite cualquier otro contacto, como por ejemplo descansar una parte del cuerpo en la máquina o apoyarse en ella para aumentar la fuerza de avance. También es importante no mantener el dispositivo de puesta en marcha y parada encendido al mismo tiempo que se extrae la herramienta de la superficie de trabajo rota.
- ▶ Asegúrese de que la herramienta insertada se encuentra en buen estado (incluso el afilado, si se trata de una herramienta de corte), no está gastada y es del tamaño adecuado. Las herramientas de inserción que no se encuentran en buen estado, están gastadas o no son del tamaño adecuado alargan el tiempo de realización de una tarea (y de exposición a las vibraciones) y pueden contribuir a la exposición a niveles más altos de vibración.
- ▶ Deje de trabajar inmediatamente, si de repente la máquina empieza a vibrar violentamente. Antes de continuar trabajando, averigüe y elimine la causa del incremento de las vibraciones.
- ▶ Nunca agarre, sostenga ni toque la herramienta de trabajo cuando utilice la máquina.
- ▶ Participe en las inspecciones o los controles de salud, en los exámenes médicos y en los programas de formación ofrecidos por su empleador y cuando la ley así lo exija.
- ▶ Cuando trabaje en climas fríos lleve ropa de abrigo y mantenga las manos calientes y secas.

Consulte la "Declaración de ruido y vibraciones" de la máquina, incluidos los valores de vibración declarados. Puede encontrar esta información al final de las instrucciones de seguridad y de funcionamiento

- ◆ Asegúrese de satisfacer la presión atmosférica recomendada al utilizar la máquina. Una presión atmosférica más alta o más baja puede producir niveles más altos de vibración.

#### **▲ PELIGRO Riesgos relacionados con la electricidad**

La máquina no está aislada eléctricamente. Si la máquina entra en contacto con la electricidad, podría provocar lesiones graves o la muerte.

- ▶ No utilice nunca la máquina cerca de un cable eléctrico ni otra fuente de electricidad.
- ▶ Compruebe que no haya cables u otras fuentes de electricidad ocultos en el área de trabajo.

#### **▲ ADVERTENCIA Peligros relacionados con objetos ocultos**

Durante el funcionamiento, los cables y tubos ocultos constituyen un peligro, ya que pueden ocasionar lesiones graves o la muerte.

- ▶ Compruebe la composición del material antes del funcionamiento.
- ▶ Fíjese bien que no haya cables ni tubos ocultos, como líneas de electricidad, teléfono, agua, gas y aguas residuales.
- ▶ Si la herramienta insertada parece haber topado con un objeto oculto, apague la máquina de inmediato.
- ▶ Compruebe que no haya ningún peligro antes de continuar.

#### **▲ ADVERTENCIA Encendido involuntario**

El encendido involuntario de la máquina puede producir lesiones.

- ▶ Mantenga las manos alejadas del dispositivo de puesta en marcha y parada hasta que esté listo para arrancar la máquina.
- ▶ Sepa cómo apagar la máquina en caso de producirse una emergencia.
- ▶ Libere el dispositivo de puesta en marcha y parada inmediatamente siempre que se interrumpa el suministro eléctrico.
- ▶ Cuando inserte o extraiga la herramienta de inserción, interrumpa el suministro de aire, purgue la máquina presionando el dispositivo de puesta en marcha y parada y desconecte la máquina de la unidad de potencia.

#### **▲ ADVERTENCIA Riesgos relacionados con el ruido**

Los altos niveles de ruido pueden producir pérdida de audición permanente e incapacitante y otros problemas tales como acúfenos (vibración, zumbido, silbido o ronroneo en los oídos). Para reducir los riesgos y evitar un aumento innecesario de los niveles de ruido:

- ▶ Es esencial hacer la evaluación del riesgo de estos peligros y la puesta en práctica de los controles adecuados.
- ▶ Maneje y conserve la máquina según lo recomendado en estas instrucciones.
- ▶ Seleccione, conserve y sustituya la herramienta de inserción según lo recomendado en estas instrucciones.



- ▶ Si la máquina tiene silenciador, compruebe que esté en su sitio y en buen estado de funcionamiento.
- ▶ Utilice siempre protección para los oídos.
- ▶ Utilice material de amortiguación para evitar que las piezas de trabajo “vibren”.

## Mantenimiento, precauciones

### ▲ **ADVERTENCIA** Modificación de la máquina

Cualquier modificación de la máquina puede provocar daños corporales a usted y a otras personas.

- ▶ Nunca modifique la máquina. Una máquina modificada no estará cubierta por la garantía ni por la responsabilidad del producto.
- ▶ Utilice siempre piezas, herramientas de inserción y accesorios originales aprobados por Atlas Copco.
- ▶ Cambie las piezas dañadas inmediatamente.
- ▶ Sustituya los componentes gastados con la debida antelación.

### ▲ **ATENCIÓN** Herramienta de inserción caliente

La punta de la herramienta de inserción puede calentarse con el uso. Si se toca, puede provocar quemaduras y cortes.

- ▶ Nunca toque una herramienta de inserción caliente o afilada.
- ▶ Espere a que la herramienta de inserción se haya enfriado antes de realizar los trabajos de mantenimiento.

### ▲ **ADVERTENCIA** Peligros de la herramienta de inserción

La conexión accidental del dispositivo de puesta en marcha y parada durante el mantenimiento o la instalación puede causar lesiones graves cuando la unidad de potencia está conectada.

- ▶ Nunca revise, limpie, instale ni retire la herramienta de inserción mientras la unidad de potencia esté conectada.

## Almacenaje, precauciones

- ◆ Guarde la máquina y las herramientas en un lugar seguro, fuera del alcance de los niños y bajo llave.

## Visión general

Para reducir el riesgo de que usted u otras personas padezcan lesiones graves o la muerte, antes de usar la máquina lea la sección de Instrucciones de seguridad que encontrará en las páginas anteriores de este manual.

## Diseño y funcionamiento

Las perforadoras con empujador Atlas Copco 16W/WS y BBC 34W/WS funcionan mediante inyección de agua y están ideadas para trabajar a presiones de aire de entre 4 y 6 bares. Las perforadoras con empujador están diseñadas para las siguientes operaciones:

BBC 16W/WS y BBC 34W/WS tienen muchas aplicaciones en construcción y minería subterránea. Son perforadoras con empujador de uso múltiple, adecuadas para formaciones de roca media y dura. No está permitido ningún otro uso.

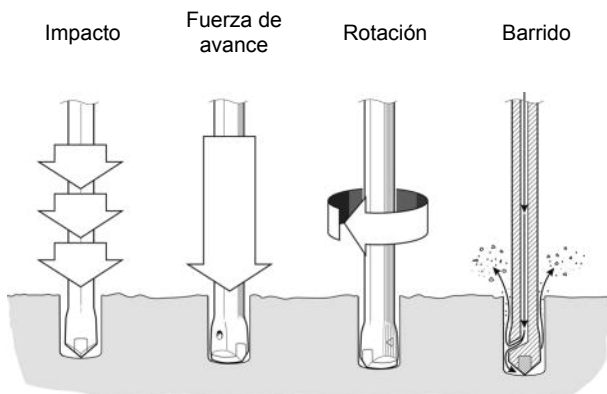
El soporte del empujador ayuda al operario a levantar y empujar la perforadora durante la perforación. El control del empujador está situado en la cabeza trasera de la perforadora.

Estas máquinas están pensadas para ser utilizadas junto con los empujadores BMT 51, ALF 71, ALF 71-1 o ALF 67/80.

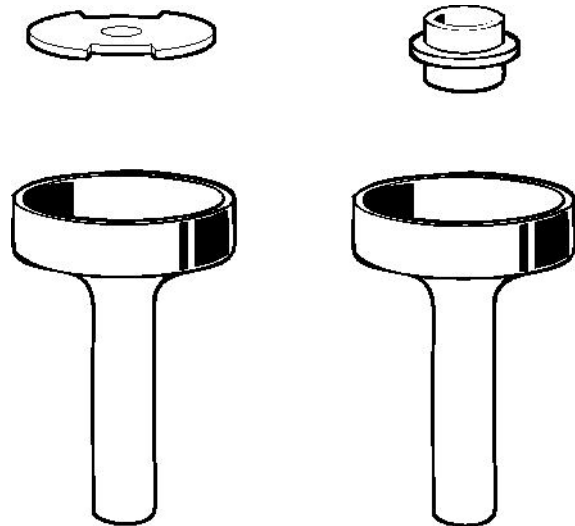
Las perforadoras con empujador disponen de descarga de agua y de un mecanismo sólido de rotación de la barra rayada. Las perforadoras con empujador están equipadas con un casquillo de mandril para vástagos hexagonales de 22 mm x 108 mm. Las perforadoras están equipadas con una conexión de 25 mm (1 in.) para el aire y una conexión de 12,5 mm (½ in.) para el agua.

Para elegir las herramientas de inserción correctas, póngase en contacto con su concesionario local de Atlas Copco.

### Principio de funcionamiento de una perforadora



### Mecanismo de la válvula de control



BBC 16W/WS

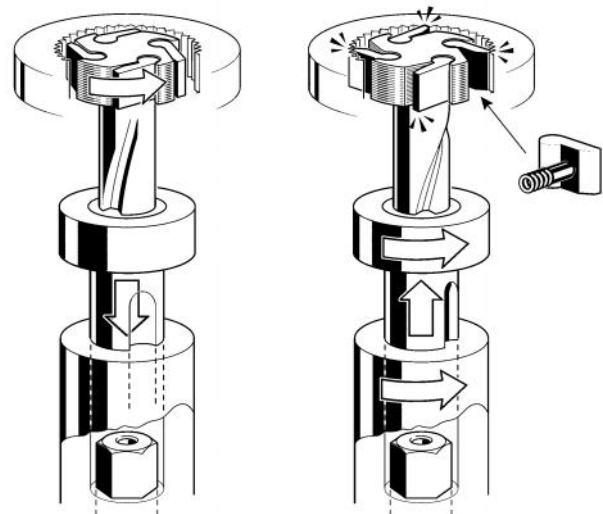
BBC 34W/WS

La válvula dirige el aire de manera alterna de un lado a otro del pistón para que se mueva hacia arriba y hacia abajo. El pistón transmite la energía a través de la barrena hacia la parte inferior del agujero.

### Mecanismo de rotación

Carrera de impacto

Carrera de retorno



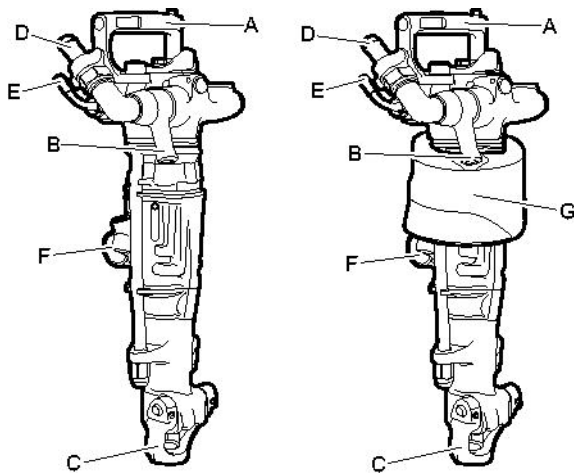
La barrena gira levemente con cada golpe de rotación de la barra rayada. La rotación es normalmente en sentido contrario al de las agujas del reloj y se realiza generalmente en la carrera de retorno del pistón.

### Barrido

El barrido se canaliza a través de dos tubos concéntricos; el exterior es para el aire y el interior, para el agua. Esto significa que el aire de barrido se suministra justo cuando se activa el aire comprimido. El objetivo de este mecanismo es impedir que entre

agua en el mecanismo de percusión de la perforadora.

## Piezas principales



BBC 16W/34W

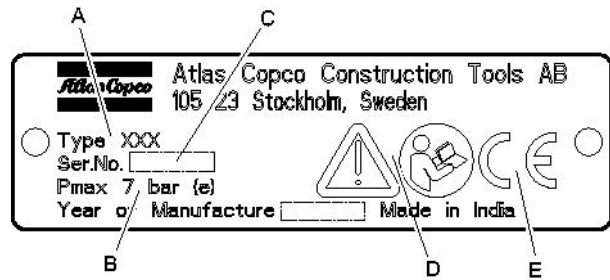
BBC 16WS/34WS

- A. Empuñadura
- B. Palanca de control
- C. Retenedor de la barrena de perforación
- D. Boquilla de admisión de aire
- E. Boquilla de admisión de agua
- F. Acoplamiento de la máquina
- G. Silenciador

## Etiquetas

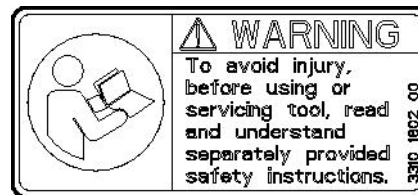
La máquina incluye etiquetas que contienen información importante sobre la seguridad personal y el mantenimiento de la máquina. Las etiquetas deberán estar en buen estado para que sean fáciles de leer. Se pueden pedir nuevas etiquetas en la lista de piezas de repuesto.

## Placa de datos



- A. Tipo de máquina
- B. Presión de aire comprimido máxima permitida
- C. Número de serie
- D. El símbolo de atención unido al símbolo del libro significa que el usuario debe leer las instrucciones de seguridad y de funcionamiento antes de usar la máquina por primera vez.
- E. El símbolo CE indica que la máquina tiene la aprobación de la CE. Consulte la declaración de la CE que se suministra con la máquina para obtener más información. Si el símbolo CE no está, significa que la máquina no tiene la aprobación de la CE.

## Etiqueta de seguridad



Para evitar lesiones, antes de usar o de reparar la herramienta, lea y comprenda las instrucciones de seguridad proporcionadas por separado.

## Instalación

### Desempaquetado de la perforadora

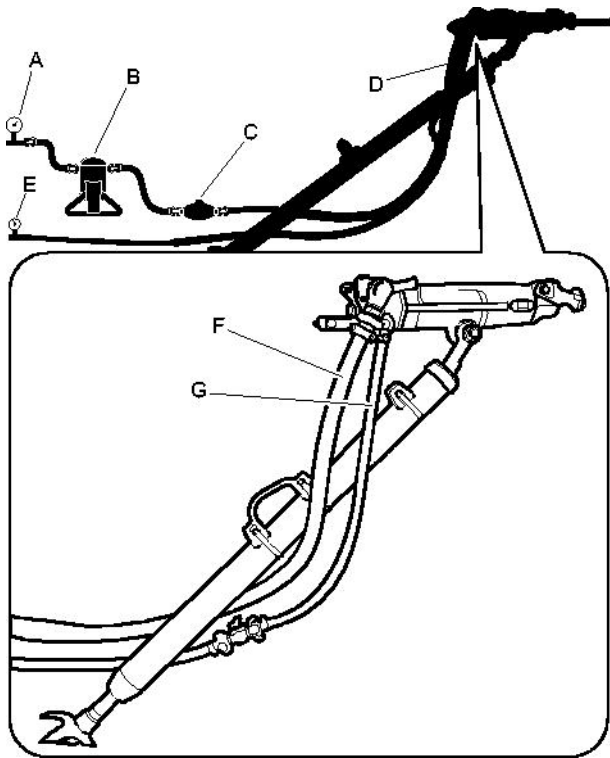
#### Protecciones de plástico

Antes de utilizar la perforadora por primera vez, deberá retirar todas las protecciones de plástico de las boquillas de las mangueras, de los orificios de ventilación y del mandril de rotación.

#### Lubricación

Tras desempaquetar e instalar la herramienta, vierta una cantidad generosa de aceite lubricante en la conexión de aire.

## Mangueras y conexiones



- A. Fuente de aire comprimido
  - B. Separador de agua VAM 5A (opcional)
  - C. Lubricador, BLG 30 ó CLG 30 (opcional)
  - D. Manguera de aire comprimido de 3 metros como máximo entre el lubricador y la máquina.
  - E. Agua
  - F. Manguera de agua, máquina
  - G. Manguera de agua
- ◆ Compruebe que esté utilizando la presión operativa correcta recomendada: 6 bares (e).
  - ◆ No debe sobrepasarse la presión máxima de aire admisible, 7 bares (e).
  - ◆ Quite las impurezas de la manguera de aire comprimido antes de conectarla a la máquina.
  - ◆ Seleccione las dimensiones correctas y la longitud de la manguera de aire comprimido. Para longitudes de manguera de hasta 30 metros, debe utilizarse una manguera con un diámetro interno mínimo de 25 mm (1 in.). Si la longitud de la manguera es de 30 a 100 metros, debe utilizarse una manguera con un diámetro interno mínimo de 50 mm (2 in.).

## Métodos para evitar la congelación

Puede acumularse hielo en el silenciador cuando la temperatura ambiente es de 0–10°C (32–50°F) y la humedad relativa es alta.

La máquina está diseñada para evitar la formación de hielo en el silenciador. A pesar de eso, en condiciones extremas se puede formar hielo en el silenciador.

Tome las siguientes medidas para neutralizar el riesgo de formación de hielo:

- ◆ Utilice el lubricante Rock Drill AIR-OIL de Atlas Copco.
- ◆ Utilice el separador de agua VAM 5A.

Si la perforadora se hiela, no la caliente nunca para fundir el hielo. Deje siempre que el hielo se funda a temperatura ambiente.

No vierta nunca alcohol desnaturalizado ni sustancias similares sobre la perforadora, ya que interferirán con la lubricación y aumentará el desgaste.

## Conexión de un separador de agua

La longitud de la manguera de aire entre el compresor y el separador de agua debe ser lo suficiente como para que el vapor de agua se enfríe y se condense en la manguera antes de alcanzar el separador de agua.

Si la temperatura ambiente está por debajo de 0 °C (32 °F) el tubo flexible debe ser lo suficientemente corto para impedir que se congele el agua antes de llegar al separador de agua.

## Lubricación

La perforadora se lubrica con aceite mezclado con aire comprimido, que se traslada a las piezas que necesitan lubricación continua. El aceite se introduce en el aire comprimido utilizando un lubricador Atlas Copco BLG 30 o CLG 30 conectado a la línea de aire.

Utilice AIR-OIL para perforadoras Atlas Copco, que está especialmente diseñada para perforadoras neumáticas BBC, BBD y RH. AIR-OIL para perforadoras es fácilmente biodegradable conforme a OECD 301 y posee una alta tensión superficial que resiste cargas pesadas. Si AIR-OIL para perforadoras no está disponible, utilice un aceite

mineral para herramientas neumáticas con las propiedades recomendadas en la tabla siguiente.

Margen de temperatura (°C)	Grado de viscosidad (ISO 3448)
De -30 a 0	ISO VG 32-68
-10 a +20	ISO VG 68-100
De +10 a +50	ISO VG 100-150

## Ajuste de presión

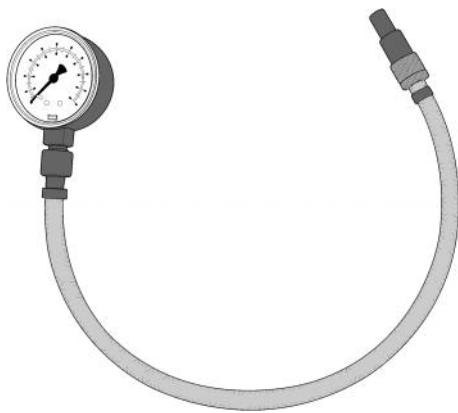
### Presión del aire

Compruebe que el compresor pueda suministrar a la máquina la presión de aire requerida de entre 4 y 6 bares.

1. La alta presión provoca un funcionamiento brusco y un desgaste excesivo.
2. La baja presión genera una velocidad de perforación lenta.

### Calibración correcta de la presión de aire

Utilice el manómetro de Atlas Copco (**9090 0550 80**) para comprobar la presión del aire cuando la perforadora esté en marcha. La presión se debe medir cerca de la boquilla de admisión. La presión de servicio recomendada es de 6 bares.



El manómetro incluye una aguja que se inserta sobre la manguera para medir la presión de su interior.

### Presión del agua

La presión del agua debe ser al menos 1 bar inferior a la presión del aire; si no es así, podría entrar agua en el mecanismo de impacto. Por ejemplo, si la presión del aire es de 6 bares, la presión del agua debe ser inferior a 5 bares para evitar que entre agua en el mecanismo de impacto.

## Barrena de perforación

### ▲ ADVERTENCIA Herramienta de inserción retirada

Si el retén de la herramienta de la máquina no está en una posición bloqueada, la herramienta insertada se puede retirar de forma forzosa, lo que puede causar lesiones personales.

- Antes de cambiar la herramienta de inserción, pare la máquina, desconecte el suministro de aire comprimido y purgue la máquina activando el dispositivo de puesta en marcha y parada.

### Antes de insertar la barrena de perforación

Compruebe que el vástago de la herramienta tiene el tamaño y la longitud adecuados para el mandril utilizado. El vástago debe estar limpio y la herramienta debe estar en buen estado. Los vástagos astillados, redondeados, descuadrados o demasiado duros en el extremo de percusión funcionarán de forma ineficiente y provocarán un funcionamiento incorrecto del pistón de forma prematura.

Inspeccione la barrena de perforación:

Una barrena de perforación desgastada ralentizará la velocidad de perforación y ejercerá una presión excesiva sobre el mecanismo de perforación. Cuando cambie la barrena de perforación, asegúrese de que la nueva sea del tamaño correcto para continuar con la perforación previa.

Antes de la perforación, compruebe que el orificio de barrido de la barrena no esté bloqueado.

### ▲ ATENCIÓN Herramienta de inserción caliente

La punta de la herramienta de inserción puede calentarse con el uso. Si se toca, puede provocar quemaduras y cortes.

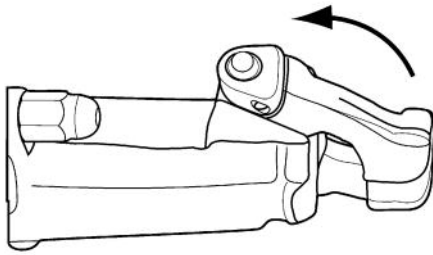
- Nunca toque una herramienta de inserción caliente o afilada.
- Espere a que la herramienta de inserción se haya enfriado antes de realizar los trabajos de mantenimiento.

**AVISO** No enfríe nunca una herramienta de inserción caliente en agua, ya que puede producirle fragilidad y fallos prematuros.

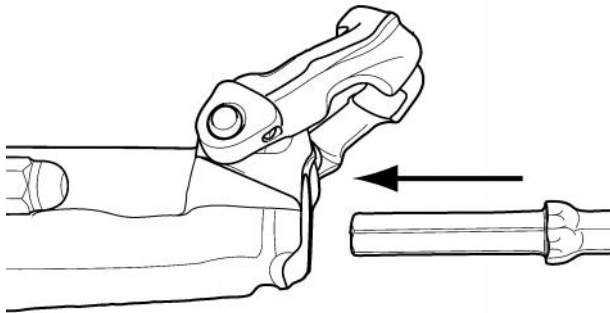
### Inserción de la barrena de perforación

Cuando inserte la barrena debe seguir las siguientes instrucciones:

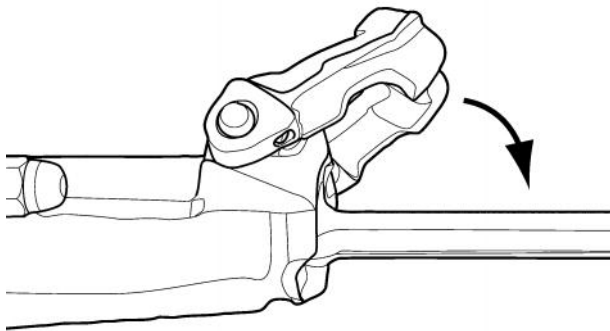
1. Tire del retén hacia fuera en el sentido de la flecha, hasta que la parte delantera pueda alojar el collar de la barrena.



2. Inserte la barrena en el mandril.



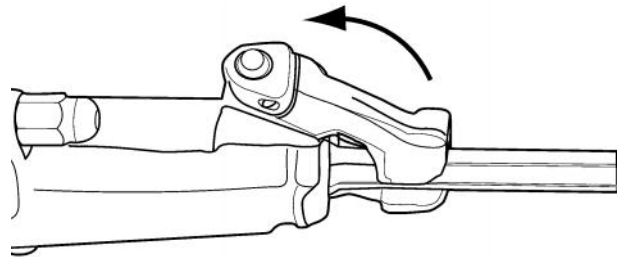
3. Cuando la barrena llegue al final, empuje el retén hacia atrás para bloquearlo.



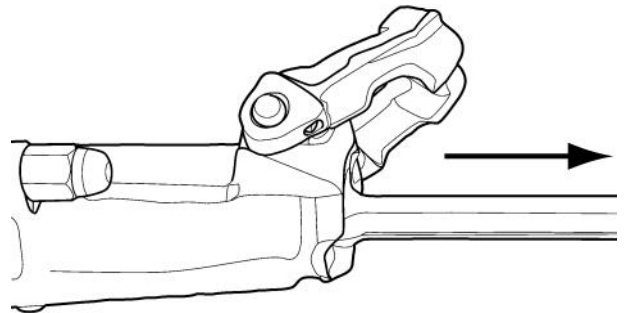
### Desmontaje de la barrena de perforación

Cuando desmonte la barrena debe seguir las siguientes instrucciones:

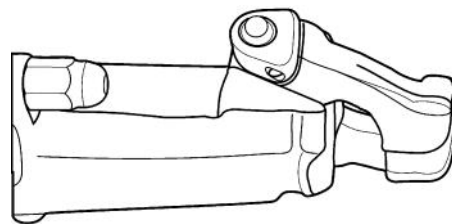
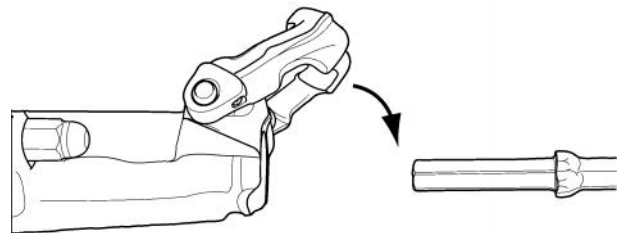
1. Tire del retén hacia fuera en el sentido de la flecha, hasta que el collar de la barrena se desenganche de la parte delantera del retén.



2. Tire de la barrena hacia fuera.



3. Empuje el retén hacia atrás.



### Funcionamiento

#### ▲ ADVERTENCIA Encendido involuntario

El encendido involuntario de la máquina puede producir lesiones.

- ▶ Mantenga las manos alejadas del dispositivo de puesta en marcha y parada hasta que esté listo para arrancar la máquina.
- ▶ Sepa cómo apagar la máquina en caso de producirse una emergencia.
- ▶ Detenga inmediatamente la máquina en caso de interrupción de la alimentación.

## Preparaciones antes de la puesta en marcha

### Control del equipo de perforación

- ◆ Compruebe que todo el equipo de perforación esté en buen estado de funcionamiento.
- ◆ Compruebe que la superficie de impacto del vástago de la barrena sea plana y no presente signos de desgaste.
- ◆ Compruebe que no haya ningún atasco en los puertos de admisión y salida de aire.
- ◆ Compruebe que los orificios de barrido de la barrena o de la broca no estén bloqueados, y que el aire o el agua de barrido fluyan sin ningún impedimento.
- ◆ Compruebe que el filtro de aire (situado en la boquilla de aire) esté limpio y que no esté desgarrado ni deformado.
- ◆ Compruebe que las fijaciones estén apretadas y que no presenten fugas.

### ▲ PELIGRO Manguera de aire suelta

Una manguera de aire comprimido floja puede asestar latigazos a las personas y ocasionarles lesiones o incluso la muerte.

- ▶ Compruebe que la manguera de aire comprimido y las conexiones no estén dañadas.
- ▶ Compruebe que todas las conexiones de aire comprimido estén debidamente conectadas.

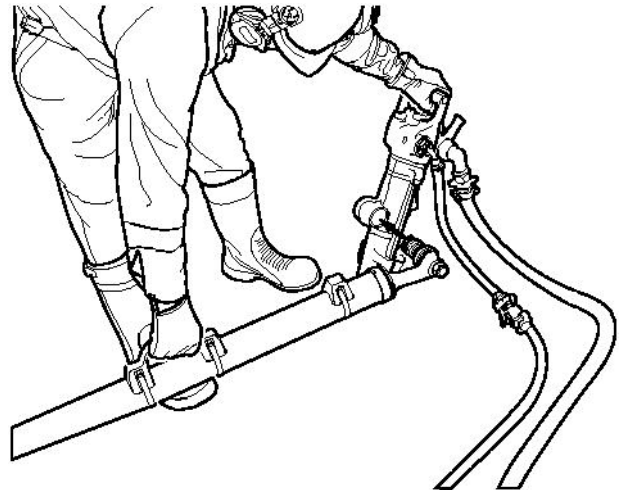
### Purga de la manguera de aire

- ◆ Purgue todos los días la manguera de aire para limpiar la suciedad y la humedad acumuladas antes de utilizar la perforadora.

### Llenado de aceite del lubricador

- ◆ Compruebe que el mandril y el vástago de la barrena estén siempre cubiertos de una película de aceite.

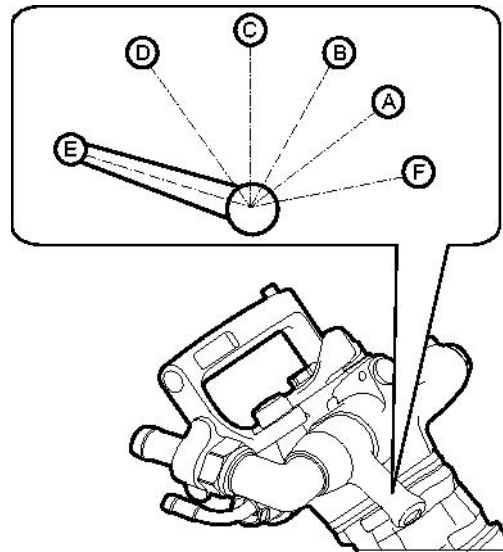
## Acoplamiento del empujador a la perforadora



El empujador deberá fijarse a la perforadora mediante el acoplamiento de la bayoneta.

## Controles

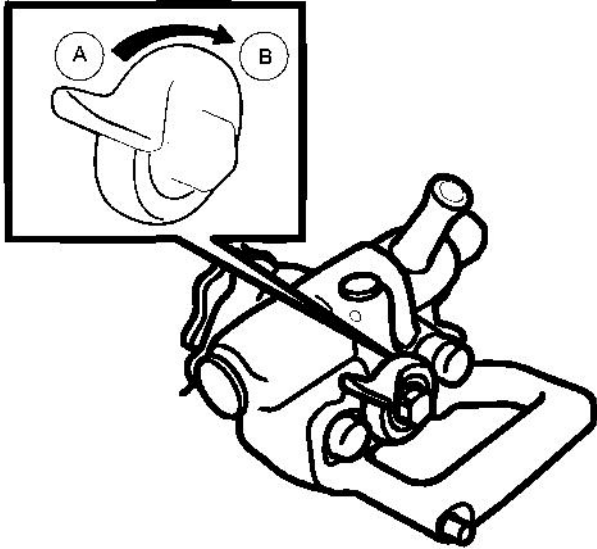
### Palanca de control



La perforadora incluye una palanca de control para regular el aire comprimido que va hacia el mecanismo de percusión y el agua de barrido.

- A. Válvula reguladora cerrada (posición de parada). Sólo para realizar limpiezas por soplado.
- B. Aire a empujador.
- C. Agua de barrido.
- D. Aire a mecanismo de percusión.
- E. Palanca de control totalmente abierta (velocidad máxima).
- F. Soplado adicional.

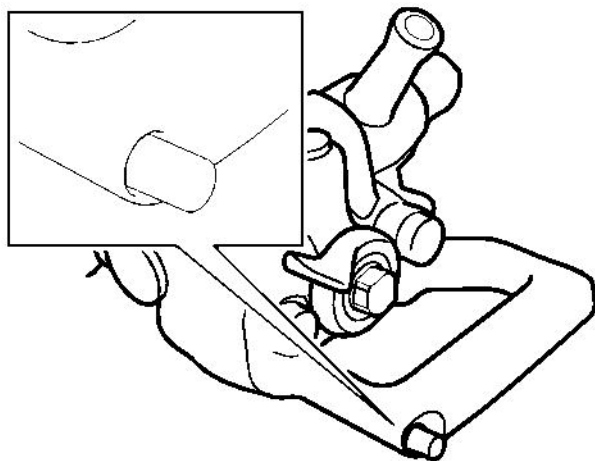
### Palanca de control de avance



Ajuste la fuerza de avance mediante la palanca de control de avance del siguiente modo:

- ◆ Gire la palanca de control de avance en el sentido de las agujas del reloj (B) para incrementar la fuerza de avance.
- ◆ Gire la palanca de control de avance en sentido contrario a las agujas del reloj (A) para reducir la fuerza de avance.
- ◆ Cuando la palanca de control de avance está en posición cerrada (A), el empujador se descarga.

### Pasador de válvula

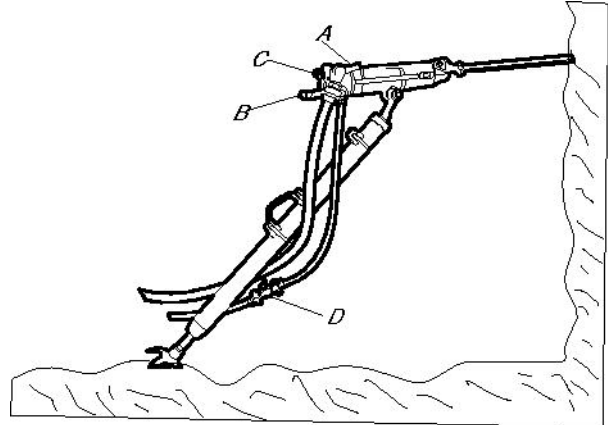


Cuando el pasador de la válvula se empuja hacia el interior, la fuerza de avance cesa bruscamente y anula el ajuste de la palanca de control de avance. La barra del pistón del empujador se retrae automáticamente. Esta función se utiliza, por ejemplo, para ajustar la altura de la perforadora, cuando se instala el empujador o cuando tiene tendencia a atascarse. Cuando se presiona el

pasador de válvula, se vuelve a activar la palanca de control de avance.

## Puesta en marcha y parada

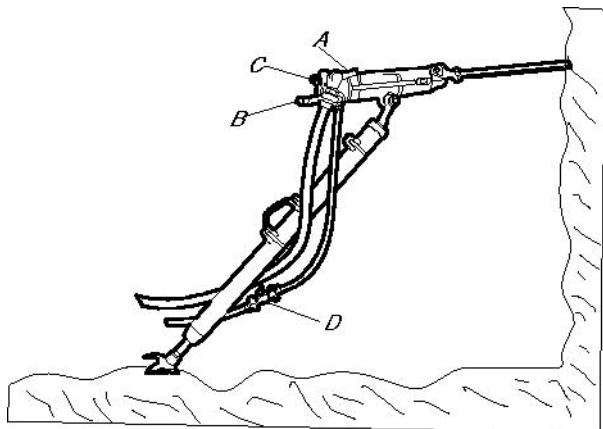
### Puesta en marcha de la perforadora



1. Abra la válvula principal para que salga el aire comprimido.
2. Abra la llave (D) para que salga el agua de barrido.
3. Ajuste la palanca de control de avance (C) para dar una fuerza de avance adecuada para empezar la perforación.
4. Alinee la perforadora de forma que la barrena toque el punto de perforación deseado.
5. Desplace la palanca de control (A) hacia delante un poco para iniciar el barrido de agua, la percusión y la rotación.
6. Inicie la perforación con una fuerza de avance reducida.
7. Desplace la palanca de control (A) totalmente hacia delante cuando la barrena se haya apoyado de manera firme en la roca.
8. Ajuste la fuerza de avance girando la palanca de control de avance (C) para lograr el máximo índice de penetración.



## Detención de la perforadora



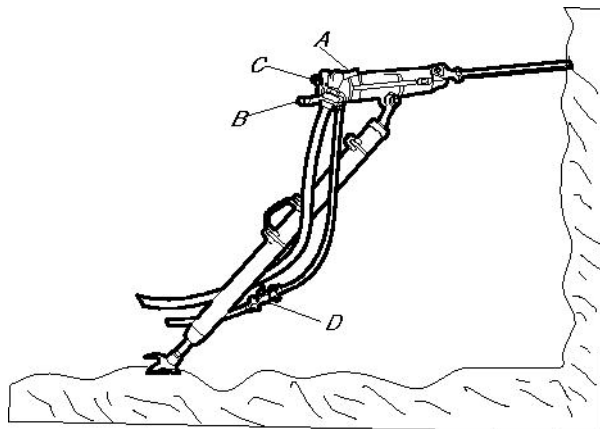
1. Tire de la palanca de control (A) hacia atrás, con lo que la percusión, la rotación y el barrido de agua cesarán.
2. Gire la palanca de control de avance (C) a la posición de cierre.

## En funcionamiento

### Perforación

- ◆ Utilice calzado, guantes y casco de protección, así como protectores para los oídos y protección ocular contra impactos con protección lateral.
- ◆ Manténgase de pie de manera firme y sujete siempre la máquina con ambas manos.
- ◆ Sujete la herramienta insertada firmemente contra la superficie de trabajo antes de arrancar la máquina.

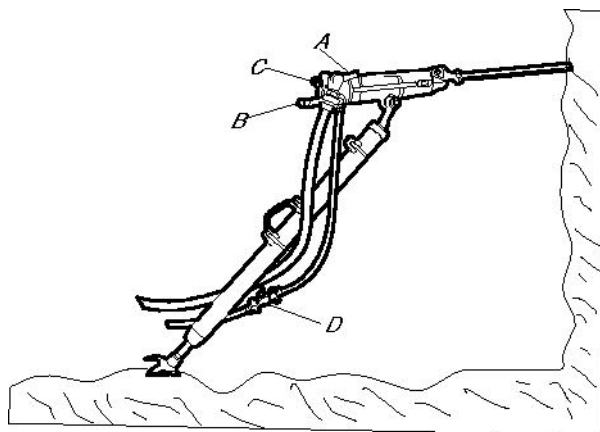
## Recolocación del empujador



1. Apague la percusión y el barrido de la perforadora mediante la palanca de control (A).
2. Presione el pasador de la válvula (B), con lo cual la varilla del pistón volverá a entrar automáticamente en el cilindro del empujador.
3. Recoloque el empujador.
4. Suelte el pasador de la válvula (B), con lo cual la barra del pistón volverá a desplazarse hacia fuera.
5. Desplace la palanca de control (A) hacia delante, hasta la posición de funcionamiento.

No es necesario tocar la palanca de control de avance (C) durante esta operación.

### Limpieza por barrido del barreno



Si es necesaria la limpieza por barrido del barreno:

- 1) Gire la palanca de control (A) totalmente hacia atrás más allá de la posición de parada, hasta la posición de barrido adicional (véase “Controles”), con lo que la perforadora se parará. Esto se puede hacer durante la perforación.
- 2) Cuando el barreno esté limpio, vuelva a girar la palanca de control (A) hacia delante para arrancar de nuevo la perforadora.

## En los descansos

- ◆ Coloque la perforadora sobre una roca, una tabla de madera o un objeto similar para evitar que entren fragmentos de la perforación y otros materiales extraños en el mandril.
- ◆ Apague la presión del agua antes que la presión del aire. Ponga en marcha la perforadora durante unos segundos para eliminar el agua y la humedad después de apagar el suministro de agua.

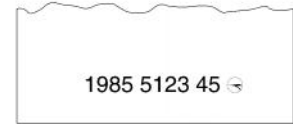
## Mantenimiento

El mantenimiento regular es un requisito esencial para el uso seguro y eficaz de la máquina. Siga las instrucciones de mantenimiento detenidamente.

- ◆ Antes de iniciar el mantenimiento en la máquina, límpiela para evitar la exposición a sustancias peligrosas. Consulte “Peligros del polvo y del humo”
- ◆ Utilice sólo piezas originales. Cualquier daño o defecto originado por la utilización de piezas no autorizadas no estará cubierto por la garantía ni por la responsabilidad del producto.
- ◆ Al limpiar las piezas mecánicas con un disolvente, asegúrese de cumplir la normativa de salud y seguridad en el trabajo y de que haya la suficiente ventilación.
- ◆ Para realizar una reparación más completa de la máquina, acuda al taller autorizado más cercano.
- ◆ Después de cada reparación, compruebe que el nivel de vibraciones de la máquina sea el normal. Si no lo es, póngase en contacto con el taller autorizado más cercano.

## Diferencias entre las piezas originales y otras piezas

Al comprar una pieza, lo primero que debe hacer es comprobar que la pieza sea de Atlas Copco. La mayoría de piezas pueden identificarse.



Las piezas de la perforadora suelen estar marcadas con un número de pieza y la marca de identidad de Atlas Copco, que es un círculo con una perforadora. En algunos casos, la pieza está marcada sólo con el círculo o el número de pieza.

Las piezas de goma y plástico no suelen estar marcadas.

Las empresas que copian nuestras piezas suelen marcar las piezas más grandes y caras. Algunas piezas sólo incluyen el número de pieza, pero algunas también tienen una marca identificativa con las iniciales del nombre del fabricante. Los números de pieza sobre piezas que no son originales suelen estar estampadas manualmente, lo que genera irregularidades. Los números de pieza estampados por Atlas Copco son regulares y cada cifra tiene el mismo tamaño. Además, la profundidad de las cifras y el espacio entre ellas en cada grupo son iguales.

## A diario

Antes de realizar cualquier tarea de mantenimiento o cambiar la herramienta de inserción en las máquinas neumáticas, desactive siempre el suministro de aire y purgue la máquina pulsando el dispositivo de puesta en marcha y parada, y a continuación desconecte la manguera de aire de la máquina.

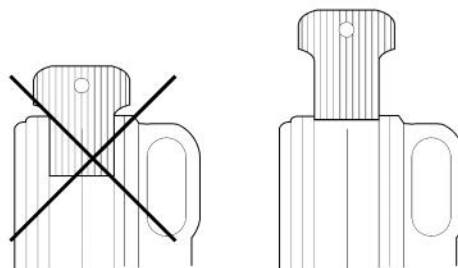
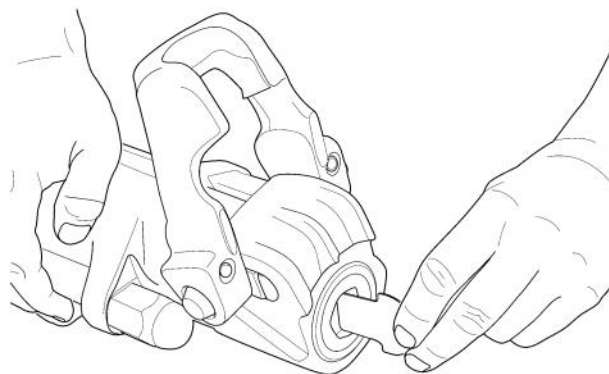
- ◆ Limpie e inspeccione la máquina y sus funciones cada día antes de empezar a trabajar.
- ◆ Realice una inspección general para determinar si hay fugas o desperfectos.
- ◆ Compruebe que la boquilla de admisión de aire esté apretada y que el acoplamiento de garras no esté dañado.
- ◆ Compruebe el funcionamiento de la palanca de control. Compruebe que se desplaza libremente arriba y abajo.

- ◆ Compruebe el funcionamiento del retenedor. Asegúrese de que bloquea la barrena.
- ◆ Cambie las piezas dañadas inmediatamente.
- ◆ Sustituya los componentes gastados con la debida antelación.
- ◆ Compruebe los pernos pasantes de la máquina. Asegúrese de que estén apretados.
- ◆ Si la máquina está equipada con silenciador, compruebe que no esté dañado.

## Comprobación del desgaste

1. Compruebe el desgaste del casquillo del mandril con el calibre de Atlas Copco (3091 0038 00) (22 mm).

Si el límite de desgaste se ha superado, el vástago de la barrena se desgastará más rápidamente o se deformará. Esto provocará atascos e incrementará el consumo de barrenas de perforación.



2. Compruebe la estanqueidad de las tuercas de pernos laterales (A). Apriete a un par de 130 Nm.



3. Compruebe la conexión de la perforadora al empujador.
4. Compruebe las mangueras, los acoplamientos y los controles por si presentan fugas o están dañados.

5. Compruebe que la lubricación que reciben la perforadora y el empujador sea suficiente. Vierta tanto lubricante como sea necesario.
6. Drene el separador de agua.
7. Compruebe la presión del aire y del agua. Compruebe que la presión del agua sea al menos 1 bar inferior a la presión del aire.

- Proteja el mandril utilizando el tapón de plástico incluido en la máquina. De forma alternativa, puede utilizar un tapón de madera o un trozo limpio de tela de algodón.
- Si debe guardarla durante un periodo de tiempo prolongado, vierta un poco de aceite directamente en la admisión de aire de la perforadora y active el aire por poco tiempo. De este modo protegerá a la máquina de la corrosión.

## Mantenimiento periódico

Después de un período operativo de unas 100 horas de trabajo o bien tres veces al año, se debe desmontar la máquina y limpiar y comprobar todas las piezas. Este trabajo debe realizarlo personal autorizado y cualificado para ello.

## Patrones de daños

Las piezas desgastadas o rotas siempre deben examinarse con detenimiento antes de ser sustituidas, ya que pueden dar información importante sobre el estado de la perforadora y sobre el modo en que se utiliza y se mantiene.

Problema	Causa
Las piezas de acero son de un color azulado	Las piezas se han sometido a un calor excesivo. Esto puede deberse a una lubricación insuficiente o a un funcionamiento excesivamente lento
Las piezas de acero tienen fisuras pequeñas, casi microscópicas, sobre las superficies de desgaste	Ver la explicación anterior
Hay cavidades irregulares sobre la superficie de las piezas de bronce	Ver la explicación anterior
Marcas de corte	Daños secundarios
	Suciedad en el interior de la broca
	Desalineación interior debido a una tensión desigual en los pernos laterales

## Almacenaje

- Lubrique siempre bien la perforadora antes de guardarla.
- Guarde siempre la máquina en un lugar limpio y seco.
- Asegúrese de que no entren elementos extraños en la máquina.

## Desechar

Una máquina usada se debe manipular y desechar de tal forma que se pueda reciclar la mayor cantidad posible del material, haya la menor influencia negativa posible en el medio ambiente y se cumplan las restricciones municipales.

# Especificaciones técnicas

## Localización y resolución de problemas

Problema	Causa	Solución
Menor velocidad de penetración	Fugas de aire en mangueras y acoplamientos	Cambie los retenes y, si es necesario, las piezas de la válvula reguladora de penetración
	Válvula principal con fugas (válvula de disco)	Rectificar la válvula principal para que selle correctamente
	Casquillo del mandril de rotación	Compruebe el casquillo del mandril de rotación con el calibrador <sup>1</sup> para ver si hay un desgaste excesivo. El límite de desgaste permisible se ha alcanzado cuando la plantilla se puede insertar entre dos lados opuestos del orificio hexagonal, de modo que sus resaltes hagan contacto con el casquillo
	Fugas de aire debidas al desgaste del pistón/cilindro	Cambie el pistón y/o el cilindro
	Fugas de aire debidas al desgaste de la pieza intermedia o guía piloto	Cambie la pieza desgastada
	Formación de hielo en el silenciador	Deje que el hielo se funda a temperatura ambiente
Fuerza de avance insuficiente	Empaquetadura del vástago desgastada o deformada	Cambie el retén
Rotación escasa	Estrías de la tuerca estriada desgastadas	Cambie la tuerca estriada si las estrías están desgastadas
	Estrías de la barra rayada desgastadas	Cambie la barra rayada cuando sea necesario
	Estrías del pistón desgastadas	Cambie el pistón cuando sea necesario
	Dentado de la llave de trinquete	Cambie el alojamiento de trinquetes si el dentado está tan desgastado que los trinquetes engranan con dificultad
	Dentado de la llave de trinquete	Cambie la rueda de trinquete si el dentado está tan desgastado que los trinquetes engranan con dificultad.
	Tuerca del mandril desgastada	Cambie la tuerca del mandril si las estrías están desgastadas a ½ de la anchura de las estrías
	Trinquetes desgastados	Cambie todos los trinquetes, así como sus resortes y pasadores
Funcionamiento desigual	El pistón se ha agarrotado en la pieza intermedia o en la guía de pistón	Cambie la pieza intermedia o la guía de pistón. Si es necesario, se debe pulir el pistón. Compruebe que el pistón no esté dañado, por ejemplo, si tiene un color azul o fisuras. Si presenta estos daños, cambie también el pistón.
	Válvula principal sucia o dañada. Se debe a la entrada de impurezas o materia extraña en la perforadora con el aire comprimido	Se debe limpiar y pulir la válvula de modo que selle contra las correspondientes superficies cilíndricas y planas. Si esto no es posible porque tenga defectos demasiado graves, se deberá cambiar la válvula.
	Congelación. Se debe a fugas en el sistema de barrido, a un exceso de agua en el aire comprimido o a una presión excesiva del agua <sup>2</sup>	Compruebe los tubos de barrido, los retenes y la presión del agua <sup>2</sup> . Drene el agua del sistema de aire comprimido. Si el problema persiste, acople un separador de agua en el sistema de conducción de aire
Funcionamiento desigual (cont.)	Los pernos laterales están apretados de forma desigual o insuficiente. Esto puede hacer que las piezas pierdan su alineación, produciéndose un agarrotamiento de las piezas móviles. Las tensiones anómalas sobre los pernos laterales pueden fracturar las roscas.	Compruebe y repare cualquier daño de los puntos de contacto y apriete los pernos con el par de apriete correcto
Desgaste anormal del casquillo del mandril de rotación	Lubricación insuficiente (puede producir daños secundarios)	Compruebe el casquillo del mandril con el calibrador diseñado especialmente para tal fin <sup>1</sup> . El límite de desgaste máximo permitido se ha alcanzado cuando el calibrador <sup>1</sup> , insertado entre dos superficies planas opuestas, toca en el fondo. Compruebe la presión del agua <sup>2</sup> : debe ser menor que la presión del aire <sup>2</sup> .
La perforadora se calienta	Falta de aceite	Añada aceite y compruebe que penetra. No es suficiente que haya aceite en el aire de escape. También debe haber una capa de aceite en el vástago de la barrena. Compruebe que el lubricador esté conectado en la dirección correcta.
Congelación	Humedad en el aire comprimido	Utilice separadores de humedad

Problema	Causa	Solución
	Presión del agua mayor <sup>2</sup> que la presión del aire	Reduzca la presión del agua
Rotura del tubo de agua	Desalineación del vástago	Cambie la barrena, el casquillo del mandril o ambos
	Orificio de barrido dañado en el vástago	Cambie la barrena
Extremo del pistón astillado	Desalineación del vástago	Cambie la barrena, el casquillo del mandril o ambos
	Desgaste excesivo del extremo del pistón	Cambie el pistón
Rotura de las estrías	Falta de lubricación	Reduzca la presión del agua <sup>2</sup> si es igual o mayor que la presión del aire
		Aumente la lubricación o cambie el aceite
	Entrada de suciedad (especialmente cuando se perfora hacia arriba)	Aumente la regularidad del mantenimiento
Rotura del pistón	Falta de lubricación	Reduzca la presión del agua si es igual o mayor que la presión del aire
		Aumente la lubricación o cambie el aceite
	Apriete desigual en los pernos laterales	Apriete los pernos correctamente
	Pieza intermedia o guía de pistón desgastadas (puede confirmarse mediante la prueba de amortiguación)	Cambie la pieza desgastada
Rotura de los pernos laterales	Apriete desigual de los pernos	Apriete los pernos correctamente

<sup>1</sup> Calibrador para vástago hexagonal de 22 mm (7/8") de casquillo de mandril de Atlas Copco número **3091 0038 00**.

<sup>2</sup> Utilice el manómetro de Atlas Copco número **9090 0550 80** para comprobar la presión del agua y del aire.

## Datos de la máquina

Tipo	Número de pieza	Diámetro interior del pistón mm (in.)	Longitud de la carrera mm (in.)	Longitud total mm (in.)	Peso kg (lb)	Dimensiones del vástago mm (in.)
BBC 16W	8311 0401 10	70 (2¾)	55 (2⅙)	710 (28)	26.0 (57.3)	22 X 108 (7/8 x 4¼)
BBC 16WS	8311 0303 46	70 (2¾)	55 (2⅙)	710 (28)	27.0 (59.5)	22 X 108 (7/8 x 4¼)
BBC 34W	8311 0408 05	80 (3½)	70 (2¾)	775 (30½)	31.0 (68.3)	22 X 108 (7/8 x 4¼)
BBC 34WS	8311 0303 47	80 (3½)	70 (2¾)	775 (30½)	32.0 (70.5)	22 X 108 (7/8 x 4¼)

Tipo	Consumo de aire (6 bar) l/s (foot <sup>3</sup> /min)	Frecuencia de impacto (6 bar) Hz	Diámetro de perforación mm (in.)	Diámetro de perforación de arrastre mm (in.)
BBC 16W	69 (146)	39	27-41 (1-1.6)	≤76 (≤3)
BBC 16WS	69 (146)	39	27-41 (1-1.6)	≤76 (≤3)
BBC 34W	88 (186)	38	27-41 (1-1.6)	≤76 (≤3)
BBC 34WS	88 (186)	38	27-41 (1-1.6)	≤76 (≤3)

## Declaración de ruido y vibraciones

Nivel de potencia acústica garantizado **L<sub>w</sub>** según ISO 3744, de conformidad con la directiva 2000/14/CE.

Nivel de presión acústica **L<sub>p</sub>** según ISO 11203.

Valor de vibraciones **A** e incertidumbre **B** determinado según ISO 5349-2. Consulte en la tabla "Datos de ruido y vibraciones" los valores A, B, etc.

Estos valores declarados se obtuvieron mediante pruebas de laboratorio, de acuerdo con la directiva o las normas indicadas, y son adecuados para la comparación con los valores declarados de otras herramientas probadas de acuerdo con dicha directiva o dichas normas. Estos valores declarados no son adecuados para su uso en evaluaciones de riesgo, por lo que los valores medidos en los lugares de trabajo individuales pueden resultar superiores. Los valores de exposición reales y el riesgo de sufrir daños experimentados por cada usuario son únicos y dependen del modo en que éste trabaja, el material con el que utiliza la máquina, así como el tiempo de exposición y el estado físico del usuario y el estado de la máquina.

Nuestra empresa, Atlas Copco Construction Tools AB, no se hace responsable de las consecuencias de utilizar los valores declarados en lugar de valores que reflejen la exposición real, en una evaluación de riesgos individual en una situación del lugar de trabajo sobre la que no tenemos control.

Esta herramienta puede causar el síndrome de vibraciones mano-brazo si no se usa adecuadamente. En la dirección <http://www.humanvibration.com/EU/VIBGUIDE.htm> puede ver una guía de la UE sobre el control de las vibraciones mano-brazo

Recomendamos un programa de control de salud para detectar los primeros síntomas que puedan estar relacionados con la exposición a las vibraciones, de forma que puedan modificarse los procedimientos de gestión para prevenir las discapacidades futuras.

## Datos de ruido y vibraciones

Tipo	Ruido		Vibración	
	Valores declarados		Valores declarados	
	Presión acústica	Potencia acústica	Valores de tres ejes	
	ISO 11203	ISO 15744	ISO 5349-2	
	L <sub>p</sub> r=1m dB(A) rel 20 µPa	L <sub>w</sub> garantizado dB(A) rel 1 pW	A m/s <sup>2</sup> valor	B m/s <sup>2</sup> amplitud
BBC 16W	111	122	16.6	-
BBC 16WS	103	114	16.6	-
BBC 34W	116	127	20.4	-
BBC 34WS	109	120	20.4	-

## Accesorios

Descripción	Nota	Cantidad	Núm. Pedido
CLG 30, Tipo europeo	Para aceite mineral y sintético	1	8202 5102 39
BLG 30, Tipo europeo	Para aceite mineral	1	8202 5102 05
VAM 5A, Tipo europeo	Flujo de aire <120 l/s (254 ft <sup>3</sup> /min)	1	8092 0110 82
Manguera de goma premontada	25 mm (1 in.), 3 m (10 ft)	1	9030 2051 00
Manguera plana X-LITE, universal	25 mm (1 in.), 20 m (65 ft)	1	9030 2111 00
AIR-OIL para perforadoras	10 l	1	8099 0201 10
AIR-OIL para perforadoras	208 l	1	8099 0201 28

## Empujadores

Tipo	Número de pieza	Adecuado para perforadora	Longitud de avance mm	Longitud retraído mm	Longitud extendido mm	Peso kg	Diámetro interior del pistón mm
<b>Telescópico simple</b>							
BMT 51	8321 0301 01	BBC 16W/WS, BBC 34W/WS	1300	1658	2958	15	60
ALF 71	8321 0201 94	BBC 16W/WS, BBC 34W/WS	1300	1805	3105	14	70
ALF 71-1	8321 0201 95	BBC 16W/WS, BBC 34W/WS	950	1455	2405	13	70
<b>Telescópico doble</b>							
ALF 67/80	8321 0201 85	BBC 16W/WS, BBC 34W/WS	1855	1495	3350	17	67/80



## Declaración CE de conformidad

### Declaración CE de conformidad (Directiva 2006/42/CE)

Atlas Copco Construction Tools AB declara por la presente que las máquinas detalladas a continuación se ajustan a las disposiciones de las Directivas 2006/42/CE (Directiva sobre máquinas), y a las normas armonizadas mencionadas más abajo.

Perforadoras de empujador	Número de pieza	Pmax (bares)
BBC 16W	8311 0401 10	7
BBC 16WS	8311 0303 46	7
BBC 34W	8311 0408 05	7
BBC 34WS	8311 0303 47	7

#### Representante autorizado para la documentación técnica:

Erik Sigfridsson  
 Atlas Copco Construction Tools AB  
 Dragonvägen 2  
 Kalmar

#### Administrador general:

Erik Sigfridsson

#### Fabricante:

Atlas Copco Construction Tools AB  
 105 23 Stockholm  
 Sweden

#### Lugar y fecha:

Kalmar, 2010-01-01

## PORTUGUÊS

## Índice

Introdução.....	109
Acerca das instruções de segurança e operação.....	109
<b>Instruções de segurança.....</b>	<b>110</b>
<b>Palavras de avisos de segurança.....</b>	<b>110</b>
<b>Precauções e habilitações pessoais.....</b>	<b>110</b>
Equipamento pessoal de protecção.....	110
Drogas, álcool ou medicamentos.....	110
<b>Instalação, precauções.....</b>	<b>110</b>
<b>Operação, precauções.....</b>	<b>111</b>
<b>Manutenção, precauções.....</b>	<b>115</b>
<b>Armazenamento, precauções.....</b>	<b>115</b>
<b>Visão geral.....</b>	<b>116</b>
<b>Concepção e função.....</b>	<b>116</b>
Princípio de funcionamento de um perfurador de rocha.....	116
Mecanismo da válvula de controlo.....	116
Mecanismo de rotação.....	116
Limpeza por injeção de ar/água.....	117
<b>Peças principais.....</b>	<b>117</b>
<b>Autocolantes.....</b>	<b>117</b>
Placa de dados.....	117
Autocolante de segurança.....	117
<b>Instalação.....</b>	<b>117</b>
<b>Desembalar o perfurador de rocha.....</b>	<b>117</b>
Protecções de plástico.....	117
Lubrificar.....	117
<b>Mangueiras e ligações.....</b>	<b>118</b>
<b>Métodos para evitar o congelamento.....</b>	<b>118</b>
<b>Conectar o separador de água.....</b>	<b>118</b>
<b>Lubrificação.....</b>	<b>118</b>
<b>Ajuste de pressão.....</b>	<b>119</b>
Pressão de ar.....	119
Calibre a pressão de ar correcta.....	119
Pressão da água.....	119
<b>Broca de aço.....</b>	<b>119</b>
Antes de colocar a broca de aço.....	119
Colocar a broca de aço.....	119
Remover a broca de aço.....	120
<b>Operação.....</b>	<b>120</b>
<b>Preparações antes de arrancar.....</b>	<b>121</b>
Verifique o equipamento de perfuração.....	121
Faça uma descarga de ar pela mangueira de ar.....	121
Encha o lubrificador com óleo.....	121
Acoplar a coluna telescópica ao perfurador de rocha.....	121
<b>Controlos.....</b>	<b>121</b>
Alavanca do acelerador.....	121
Alavanca de controlo de avanço.....	122
Pino da válvula.....	122
<b>Arranque e paragem.....</b>	<b>122</b>
Dar arranque ao perfurador de rocha.....	122
Parar o perfurador de rocha.....	123
<b>Funcionamento.....</b>	<b>123</b>

Perfurar.....	123
Reposicionar a coluna telescópica.....	123
Limpeza por descarga do furo de perfuração.....	123
<b>Ao fazer uma pausa.....</b>	<b>124</b>
<b>Manutenção.....</b>	<b>124</b>
<b>Diferenças entre peças de origem e peças standard.....</b>	<b>124</b>
<b>Diariamente.....</b>	<b>124</b>
<b>Inspeção de desgaste.....</b>	<b>125</b>
<b>Manutenção periódica.....</b>	<b>126</b>
<b>Padrões de danos.....</b>	<b>126</b>
<b>Armazenamento.....</b>	<b>126</b>
<b>Abate.....</b>	<b>126</b>
<b>Dados técnicos.....</b>	<b>127</b>
<b>Diagnóstico e reparação de avarias.....</b>	<b>127</b>
<b>Dados da máquina.....</b>	<b>128</b>
<b>Declaração de ruído e vibração.....</b>	<b>129</b>
<b>Dados sobre o ruído e vibrações.....</b>	<b>129</b>
<b>Acessórios.....</b>	<b>129</b>
<b>Coluna telescópica.....</b>	<b>130</b>
<b>Declaração de Conformidade da CE.....</b>	<b>131</b>
<b>Declaração de Conformidade da CE (Directiva da CE 2006/42/CE).....</b>	<b>131</b>



## Introdução

Obrigado por escolher um produto da Atlas Copco. Desde 1873 que estamos empenhados em encontrar novas e melhores maneiras para ir ao encontro das necessidades dos nossos clientes. Ao longo dos anos, temos vindo a desenvolver designs de produtos inovadores e ergonómicos que ajudaram os clientes a melhorarem e a racionalizarem o seu trabalho diariamente.

A Atlas Copco tem uma forte rede global de vendas e assistência, que consiste em centros de apoio ao cliente e aos distribuidores espalhados por todo o mundo. Os nossos peritos são profissionais devidamente formados, com um extenso conhecimento dos produtos e experiência na aplicação. Oferecemos, em todos os cantos do mundo, suporte aos produtos e experiência técnica para assegurar que os nossos clientes possam sempre trabalhar com a máxima eficiência.

Para saber mais, visite: [www.atlascopco.com](http://www.atlascopco.com)

Atlas Copco Construction Tools AB  
105 23 Stockholm  
Sweden

## Acerca das instruções de segurança e operação

O objectivo destas instruções é fornecer-lhe todas as informações acerca de como utilizar o perfurador de rocha de uma forma eficiente e segura. As instruções dão, também, conselhos e indicações sobre como efectuar manutenções regulares ao perfurador de rocha.

Antes de utilizar o perfurador de rocha pela primeira vez, tem obrigatoriamente que ler estas instruções cuidadosamente e compreendê-las na sua totalidade.

## Instruções de segurança

Para reduzir o risco de ferimentos graves ou morte, para si próprio ou para outros, leia e compreenda as instruções de Segurança e operação antes de instalar, operar, reparar, fazer manutenção ou mudar acessórios na máquina.

Afixe estas instruções de Segurança e operação nos locais de trabalho, forneça cópias aos empregados, e certifique-se de que todos lêem as instruções de Segurança e operação antes de operar a máquina, ou de prestar assistência à máquina.

Para além disso, o operador ou o empregador do operador deve avaliar os riscos específicos que podem estar presentes em resultado de cada utilização da máquina.

## Palavras de avisos de segurança

As palavras de avisos de segurança Perigo, Atenção e Cuidado têm os seguintes significados:

<b>PERIGO</b>	Indica uma situação perigosa, a qual, se não for evitada, irá provocar a morte ou ferimentos graves.
<b>ATENÇÃO</b>	Indica uma situação perigosa, a qual, se não for evitada, poderá provocar a morte ou ferimentos graves.
<b>CUIDADO</b>	Indica uma situação perigosa, a qual, se não for evitada, poderá provocar ferimentos ligeiros ou moderados.

## Precauções e habilitações pessoais

A operação ou manutenção da máquina só pode ser feita por pessoal com as habilitações e a formação necessárias. Este pessoal tem que ser fisicamente capaz de manusear o volume, o peso e a potência da ferramenta. Faça sempre uso do seu bom senso e da sua capacidade de avaliação das situações.

### Equipamento pessoal de protecção

Use sempre equipamento de protecção aprovado. Os operadores, bem como todas as outras pessoas que se encontrem na zona de trabalho, devem usar equipamento de protecção, incluindo, no mínimo:

- Capacete protector
- Protecção auricular
- Protecção para os olhos, resistente ao impacto e com protecção lateral

- Protecção respiratória, quando necessário
- Luvas protectoras
- Botas protectoras adequadas
- Fato de macaco de trabalho adequado, ou vestuário semelhante (não roupas largas) que cubra os braços e as pernas.

### Drogas, álcool ou medicamentos

#### ▲ ATENÇÃO Drogas, álcool ou medicamentos

Drogas, álcool ou medicamentos podem reduzir a sua capacidade de avaliação e de concentração. Reacções lentas e avaliações incorrectas podem provocar acidentes graves ou morte.

- ▶ Nunca use a máquina quando estiver cansado ou se tiver tomado drogas, álcool ou medicamentos.
- ▶ Ninguém que tenha tomado drogas, álcool ou medicamentos pode operar a máquina.

## Instalação, precauções

### ▲ PERIGO Chicotada das mangueiras de ar

Um mangueira de ar comprimido que se solte pode causar ferimentos pessoais ou morte. Para reduzir este risco:

- ▶ Certifique-se de que as mangueiras de ar comprimido e as ligações não estão danificadas, e substitua-as se necessário.
- ▶ Certifique-se de que as mangueiras de ar comprimido e as ligações estão bem presas.
- ▶ Nunca transporte uma máquina pneumática segurando-a pela mangueira de ar.
- ▶ Nunca tente tirar uma mangueira de ar comprimido que esteja pressurizada. Primeiro, deve desligar a alimentação de ar comprimido directamente no compressor e, em seguida, deve purgar a máquina, activando o dispositivo de activação e desactivação.
- ▶ Nunca aponte uma mangueira de ar comprimido a si próprio ou a outra pessoa. Para evitar o risco de ferimentos, nunca utilize ar comprimido para soprar, por exemplo, poeiras, sujidade, etc. das suas roupas.
- ▶ Não use ligações de desacoplamento rápido à entrada da ferramenta. Use peças de encaixe roscadas para mangueira, em aço endurecido (ou num material com uma resistência ao choque equivalente).

- ▶ Sempre que forem usadas ligações de acoplamento universal de torcer (ligações de acoplamento de gancho), recomendamos que sejam instalados pinos de travamento e que sejam usados cabos de segurança anti-chicoteamento como salvaguarda contra possíveis falhas da mangueira à máquina, ou de mangueira a mangueira.

#### ▲ ATENÇÃO Ferramenta de inserção ejetada

Se o retentor da ferramenta na máquina não estiver na posição de travamento, a ferramenta inserida poderá ser ejetada com força, podendo provocar ferimentos pessoais.

- ▶ Nunca dê arranque à máquina enquanto estiver a mudar a ferramenta de inserção.
- ▶ Antes de mudar a ferramenta de inserção ou os acessórios, pare a máquina, desligue a alimentação e purgue a máquina, activando o dispositivo de arranque/paragem.
- ▶ Nunca aponte a ferramenta inserida para si próprio, nem para outra pessoa.
- ▶ Antes de dar arranque à máquina, certifique-se de que a ferramenta de inserção está totalmente inserida, e que o retentor da ferramenta está na posição de travamento.
- ▶ Verifique a função de travamento, puxando para fora com força a ferramenta inserida.

#### ▲ ATENÇÃO Deslocação / desencaixe da ferramenta de inserção

As dimensões incorrectas do encabadouro da ferramenta inserida podem provocar a perda da ferramenta inserida, ou fazer com que ela se desencaixe durante a operação da máquina. Há o risco de ferimentos graves, ou de esmagamento de mãos e dedos.

- ▶ Verifique se as dimensões e o comprimento do encabadouro da ferramenta de inserção são correctos para o que a máquina está preparada.
- ▶ Nunca use uma ferramenta de inserção sem uma gola.

## Operação, precauções

#### ▲ PERIGO Perigo de explosão

Se uma ferramenta de inserção quente entrar em contacto com explosivos, poderá ocorrer uma explosão. Durante a operação com certos materiais, bem como o uso de certos materiais em peças da máquina, podem ocorrer faíscas e ignição. As explosões podem provocar ferimentos graves ou morte.

- ▶ Nunca opere a máquina num ambiente explosivo.
- ▶ Nunca use a máquina ao pé de materiais inflamáveis, vapores inflamáveis ou poeiras inflamáveis.
- ▶ Certifique-se de que não existem fontes de gás ou explosivos ocultos.
- ▶ Nunca faça perfurações num buraco antigo.

#### ▲ ATENÇÃO Movimentos inesperados

A ferramenta inserida está exposta a grandes esforços quando a máquina está em utilização. A ferramenta inserida pode partir-se devido a fadiga, depois de um certo tempo de uso. Se ferramenta inserida se partir ou se ficar agarrada, pode haver movimentos súbitos e inesperados, que podem provocar ferimentos. Para além disso, se perder o equilíbrio ou escorregar, isso poderá provocar ferimentos.

- ▶ Certifique-se de que mantém sempre uma posição estável, com os pés afastados à distância dos seus ombros, e mantendo o peso do seu corpo sempre em equilíbrio.
- ▶ Inspeccione sempre o equipamento antes de o usar. Nunca use o equipamento se suspeitar que este se encontra danificado.
- ▶ Certifique-se de que as pegadas estão limpas e sem massa consistente nem óleo.
- ▶ Mantenha os seus pés afastados da ferramenta inserida.
- ▶ Mantenha-se firmemente de pé e segure sempre a máquina com as duas mãos.
- ▶ Nunca faça perfurações num buraco antigo.
- ▶ Nunca arranque a máquina quando ela está deitada no chão.
- ▶ Nunca “ande a cavalo” na máquina com uma perna por cima da pega.
- ▶ Nunca bata na máquina nem lhe faça maus-tratos.
- ▶ Verifique regularmente se não há desgaste na ferramenta de inserção, e procure sinais de danos ou rachas visíveis.
- ▶ Preste atenção e olhe para aquilo que está a fazer.

#### ▲ ATENÇÃO Perigo de perda de velocidade

Se a ferramenta de inserção ficar presa durante o funcionamento, todo o equipamento começará a girar se o utilizador perder o controlo. Esta rotação inesperada da máquina como um todo pode causar ferimentos graves ou morte.

- ▶ Fique de pé firmemente e segure sempre a máquina com as duas mãos.
- ▶ Certifique-se de que as pegas se encontram limpas e livres de massa consistente e óleo.
- ▶ Nunca faça perfurações num buraco antigo.

#### ▲ ATENÇÃO Perigo de ficar preso

Se pegar ou tocar numa broca ou acessórios em rotação, corre o risco de ser puxado ou ficar preso pelo pescoço (se usar fio), pelo cabelo, pelas luvas e pela roupa. Isso pode causar asfixia, escaldamento, lacerações ou morte. Para reduzir o risco:

- ▶ Nunca pegar ou tocar numa broca em rotação.
- ▶ Evitar vestir roupas, fios ou luvas que possam prender.
- ▶ Cobrir cabelo longos com uma rede de cabelo.

#### ▲ ATENÇÃO Perigos de poeiras e fumos

Poeiras e/ou fumos gerados ou dispersados quando a máquina é utilizada podem causar doenças respiratórias graves e permanentes, doenças ou outras lesões corporais (por exemplo, silicose ou outras doenças irreversíveis dos pulmões que possam ser fatais, cancro, defeitos congénitos, e/ou inflamação da pele).

Algumas poeiras e fumos criados por perfuração, demolição, martelamento, serração, rectificação e outras actividades de construção contêm substâncias conhecidas pelo Estado da Califórnia e outras autoridades como sendo causadoras de doença respiratória, cancro, defeitos congénitos, ou outros danos de reprodução. Alguns exemplos dessas substâncias são:

- A sílica cristalina, o cimento, e outros produtos de alvenaria.
- Arsénico e crómio da borracha quimicamente tratada.
- Chumbo de tintas com base de chumbo.

As poeiras e os fumos no ar podem ser invisíveis a olho nu, portanto não se fie na visão para determinar se há fumos ou poeiras no ar.

Para reduzir o risco de exposição às poeiras e aos fumos, tome todas as acções seguintes:

- ▶ Faça uma avaliação de riscos específica para o local de trabalho. A avaliação de riscos deverá incluir poeiras e fumos criados pela utilização da máquina, bem como o potencial para levantar poeiras já existentes.
- ▶ Use controlos de engenharia adequados, para reduzir ao mínimo as poeiras e os fumos no ar, e para minimizar a acumulação em equipamentos, superfícies, vestuário e partes do corpo. Exemplos de tais controlos incluem: sistemas de ventilação de saída e de recolha de poeira, pulverizações de água, e perfuração acompanhada de injeção de água. Controle poeiras e fumos na origem, sempre que possível. Certifique-se de que tais controlos estão correctamente instalados, em bom estado de manutenção, e que são correctamente usados.
- ▶ Ponha, faça a manutenção e use correctamente a protecção respiratória, conforme as instruções do seu empregador e conforme exigido pelos regulamentos de Saúde e Segurança. A protecção respiratória tem obrigatoriamente que ser eficaz para o tipo de substância em questão (e, se aplicável, que ser aprovada pela entidade governamental adequada).
- ▶ Trabalhe numa área bem ventilada.
- ▶ Se a máquina tiver um escape, dirija o escape por forma a reduzir a perturbação de poeiras num ambiente cheio de poeiras.
- ▶ Opere e faça a manutenção da máquina conforme recomendado nestas instruções de operação e segurança.
- ▶ Seleccione, faça a manutenção e substitua consumíveis, ferramentas de inserção e outros acessórios conforme recomendado nas instruções de Operação e Segurança. A selecção incorrecta ou a falta de manutenção de consumíveis, ferramentas de inserção e outros acessórios pode causar um aumento desnecessário das poeiras ou dos fumos.
- ▶ Utilize vestuário lavável ou descartável no seu local de trabalho, e tome um duche e vista roupas lavadas antes de deixar o local de trabalho para reduzir a sua exposição a poeiras e fumos, assim como a de outras pessoas, carros, casas, e outras áreas.
- ▶ Evite comer, beber e usar produtos de tabaco em áreas onde haja poeiras ou fumos.
- ▶ Lave bem as suas mãos e a sua cara assim que possível depois de sair da área de exposição, e sempre antes de comer, beber, usar produtos de tabaco, ou entrar em contacto com outras pessoas.



- ▶ Cumpra todas as leis e regulamentos aplicáveis, incluindo regulamentos de Saúde e Segurança no Trabalho.
- ▶ Participe na monitorização do ar, em programas de exames médicos, e em programas de formação em segurança oferecidos pelo seu empregador ou por organizações laborais, e de acordo com os regulamentos e recomendações de Saúde e Segurança no trabalho. Seja consultado por médicos com experiência em medicina do trabalho do tipo relevante.
- ▶ Colabore com o seu empregador e com organizações laborais para reduzir a exposição a poeiras e fumos no local de trabalho e para reduzir os riscos. Com base no conselho de peritos de Saúde e Segurança, deverão ser definidos e implementados programas, políticas e procedimentos eficazes de Saúde e Segurança para a protecção dos trabalhadores e de terceiros contra a exposição prejudicial a poeiras e fumos. Aconselhe-se com peritos.

#### ▲ ATENÇÃO Projécteis

Uma falha da peça de trabalho, dos acessórios, ou até mesmo da própria máquina, pode gerar projécteis de alta velocidade. Durante a operação da máquina, as lascas ou quaisquer outras partículas do material de trabalho podem tornar-se projécteis e provocar ferimentos pessoais, atingindo o operador ou quaisquer outras pessoas. Para reduzir estes riscos:

- ▶ Use equipamento pessoal de protecção e capacete de segurança, incluindo protecção para os olhos que seja resistente ao impacto e que tenha protecção lateral.
- ▶ Certifique-se de que não há pessoas não autorizadas na zona de trabalho.
- ▶ Mantenha o local de trabalho livre de objectos estranhos.
- ▶ Certifique-se de que a peça de trabalho está fixada de forma segura.

#### ▲ ATENÇÃO Risco de estilhaços

Se a ferramenta de inserção for usada como uma ferramenta de impacto manual, daí podem resultar estilhaços que atinjam o operador, podendo causar ferimentos pessoais.

- ▶ Nunca use uma ferramenta de inserção como uma ferramenta de impacto manual. São especialmente concebidas e tratadas a quente, e só podem ser usadas numa máquina.

#### ▲ ATENÇÃO Riscos de escorregar, tropeçar e cair

Há o risco de escorregar ou tropeçar ou cair, por exemplo tropeçar nas mangueira ou noutros objectos. Escorregar ou tropeçar ou cair pode causar ferimentos. Para reduzir este risco:

- ▶ Certifique-se sempre de que não há nenhuma mangueira ou outros objectos no seu caminho ou no caminho de outra pessoa.
- ▶ Certifique-se sempre de que mantém uma posição estável, com os pés afastados à distância dos seus ombros, e mantendo o peso do corpo equilibrado.

#### ▲ ATENÇÃO Riscos de movimento

Quando usar a máquina para executar actividades relacionadas com o trabalho, pode sentir desconforto nas mãos, braços, ombros, pescoço, ou outras partes do corpo.

- ▶ Adapte uma postura confortável, ao mesmo tempo que mantém os pés bem apoiados e que evita posturas incómodas e em desequilíbrio.
- ▶ Mudar a postura durante a execução de tarefas prolongadas pode ajudar a evitar desconforto e fadiga.
- ▶ Em caso de sintomas persistentes ou recorrentes, consulte um profissional de saúde qualificado.

**▲ ATENÇÃO Perigo de vibração**

A utilização normal e correcta da máquina expõe o operador a vibrações. A exposição regular e frequente à vibração pode provocar, contribuir para ou agravar lesões ou doenças nos dedos, mãos, pulsos, braços, ombros e/ou nervos e alimentação sanguínea ou outras partes do corpo do operador, incluindo lesões ou doenças debilitantes e/ou permanentes que se podem desenvolver gradualmente ao longo de um período de semanas, meses ou anos. Tais lesões ou distúrbios podem incluir danos nos sistemas circulatório e nervoso, lesões nas articulações, e possíveis danos noutras estruturas corporais.

Se sentir entorpecimento, desconforto recorrente persistente, sensação de queimadura, enrijecimento, latejar, formigueiros, dores, descoordenação, falta de força nas mãos, embranquecimento da pele, ou outros sintomas a qualquer altura quando utilizar a máquina, ou quando não a estiver a utilizar, não deve retomar a utilização da mesma e deve consultar um médico. A utilização continuada da máquina após a ocorrência de tais sintomas pode aumentar o risco do agravamento e/ou permanência dos mesmos.

Opere e faça a manutenção da máquina conforme recomendado nestas instruções, para evitar o aumento desnecessário das vibrações.

Os seguintes passos podem ajudar a reduzir a exposição do operador às vibrações:

- ▶ Deixe a ferramenta fazer o trabalho. Faça o mínimo de força de aperto com as mãos: apenas o suficiente para garantir um bom controlo e a operação em segurança.
- ▶ Se a máquina tiver pegadas absorvedoras de vibrações, mantenha-as numa posição central, evite pressionar as pegadas nos batentes de extremo.
- ▶ Quando o mecanismo de percussão está activado, a única parte do seu corpo que deve estar em contacto com a máquina são as suas mãos sobre a pega ou as pegadas. Evite qualquer outro contacto, como por exemplo, apoiar qualquer parte do corpo contra a máquina, ou inclinar-se sobre a máquina para tentar aumentar a força de avanço. É também importante que não tenha o dispositivo de arranque e paragem activado enquanto tirar a ferramenta da superfície de trabalho partida.

- ▶ Certifique-se de que a ferramenta inserida está em bom estado de manutenção (incluindo se está afiada, se for uma ferramenta de corte), não está desgastada, e é do tamanho correcto. Quando as ferramentas de inserção não estão em bom estado de manutenção, ou estão desgastadas, ou não possuem o tamanho correcto, então irá precisar de mais tempo para completar a tarefa (e um maior período de exposição a vibrações), o que pode originar ou contribuir para níveis mais elevados de exposição a vibrações.
- ▶ Pare imediatamente de trabalhar se a máquina começar de repente a vibrar fortemente. Antes de voltar ao trabalho, certifique-se de que encontrou e corrigiu a causa do aumento de vibrações.
- ▶ Nunca agarre, pegue, nem toque na ferramenta inserida enquanto a máquina estiver a trabalhar.
- ▶ Participe na vigilância ou monitorização do estado de saúde, em exames médicos e em programas de formação oferecidos pelo seu empregador, e quando exigido por lei.
- ▶ Quando trabalhar em condições de tempo frio, vista roupas quentes e mantenha as mãos quentes e secas.

Veja a “Declaração de ruído e vibração” da máquina, incluindo os valores de vibração declarados. Estas informações estão no final destas instruções de Segurança e Operação.

- ◆ Siga as recomendações em termos de pressão de ar ao operar o equipamento. Tanto uma pressão de ar excessiva como insuficiente têm o potencial de resultar em elevados níveis de vibração.

**▲ PERIGO Perigo eléctrico**

A máquina não tem isolamento eléctrico. Se a máquina entrar em contacto com fontes de electricidade, isso pode provocar ferimentos graves ou morte.

- ▶ Nunca opere a máquina ao pé de qualquer cabo eléctrico, ou de outra fonte de electricidade.
- ▶ Certifique-se de que não existem cabos ocultos, ou quaisquer outras fontes de electricidade, na área de trabalho.

**▲ ATENÇÃO Perigo de objectos ocultos**

Durante a operação, os cabos e tubos ocultos constituem um perigo que pode provocar ferimentos graves.

- ▶ Verifique a composição do material, antes de começar a usar a máquina.
- ▶ Tenha cuidado com cabos e tubos ocultos, por exemplo, de electricidade, telefone, água, gás, esgotos, etc.
- ▶ Se lhe parecer que a ferramenta inserida atingiu um objecto oculto, desligue a máquina imediatamente.
- ▶ Antes de voltar ao trabalho, certifique-se de que não há qualquer perigo.

#### ▲ ATENÇÃO Arranque involuntário

O arranque involuntário da máquina pode provocar ferimentos.

- ▶ Mantenha as mãos longe do dispositivo de arranque e paragem até estar pronto para dar arranque à máquina.
- ▶ Aprenda a como desligar a máquina em caso de emergência.
- ▶ Solte imediatamente o dispositivo de arranque/paragem em todos os casos de interrupção de alimentação.
- ▶ Sempre que montar ou desmontar a ferramenta de inserção, desligue a alimentação de ar comprimido, purgue a máquina activando o dispositivo de arranque/paragem, e remova a alimentação da máquina.

#### ▲ ATENÇÃO Perigo de ruído

Níveis de ruído altos podem causar perda de audição permanente e deficiência na audição, bem como outros problemas tais como tinnitus (campainhas, zumbidos, apitos ou barulhos surdos nos ouvidos). Para reduzir os riscos e prevenir um aumento desnecessário nos níveis de ruído:

- ▶ É essencial a avaliação de risco destes perigos e a implementação de controlos adequados.
- ▶ Opere e faça a manutenção da máquina conforme recomendado nestas instruções.
- ▶ Seleccione, faça a manutenção e substitua a ferramenta de inserção conforme recomendado nestas instruções.
- ▶ Se a máquina tiver um silenciador, certifique-se de que está aplicado e que está em boas condições de funcionamento.
- ▶ Use sempre protecção para a audição.
- ▶ Use material de amortecimento para evitar que as peças de trabalho “toquem” como uma campainha.

## Manutenção, precauções

#### ▲ ATENÇÃO Modificação da máquina

As modificações feitas à máquina poderão resultar em danos físicos para si ou terceiros.

- ▶ Nunca faça modificações à máquina. Máquinas modificadas não estão cobertas pela Garantia ou pela Responsabilidade Legal do produto.
- ▶ Utilize sempre peças, ferramentas de inserção e acessórios originais aprovados pela Atlas Copco.
- ▶ Mude imediatamente quaisquer peças danificadas.
- ▶ Substitua os componentes desgastados atempadamente.

#### ▲ CUIDADO Ferramenta de inserção quente

A ponta da ferramenta de inserção pode ficar quente e afiada quando está a ser usada. Se lhe tocar, pode sofrer queimaduras e cortes.

- ▶ Nunca toque numa ferramenta de inserção quente ou afiada.
- ▶ Espere até que a ferramenta de inserção tenha arrefecido, antes de fazer tarefas de manutenção.

#### ▲ ATENÇÃO Riscos da ferramenta de inserção

Se a alimentação estiver ligada à máquina, a activação acidental do dispositivo de arranque/paragem durante a manutenção ou instalação pode causar ferimentos graves.

- ▶ Nunca inspeccione, limpe, instale ou desmonte a ferramenta de inserção quando a alimentação estiver ligada à máquina.

## Armazenamento, precauções

- ◆ Guarde a máquina e as ferramentas num local seguro, fora do alcance de crianças e trancado.

## Visão geral

Para reduzir o risco de ferimentos graves ou morte para si ou para terceiros, antes de usar a máquina leia a secção das Instruções de Segurança, que está nas páginas anteriores deste manual.

## Concepção e função

Os perfuradores de rocha com coluna telescópica Atlas Copco BBC 16W/WS e BBC 34W/WS têm limpeza por injeção de ar/água e destinam-se a operar com pressão de ar entre 4 a 6 bar. Os perfuradores de rocha com coluna telescópica foram concebidos para os seguintes tipos de operação:

O BBC 16W/WS e o BBC 34W/WS são usados em muitas aplicações de construção e de perfuração subterrânea. São perfuradores de rocha com coluna telescópica de tipo geral, adequados para formações rochosas de dureza média e alta. Não é permitido outro tipo de uso.

O apoio da coluna telescópica ajuda o operador a levantar e avançar o perfurador de rocha durante a operação de perfuração. O controlo da perna telescópica está localizado na cabeça traseira do perfurador de rocha.

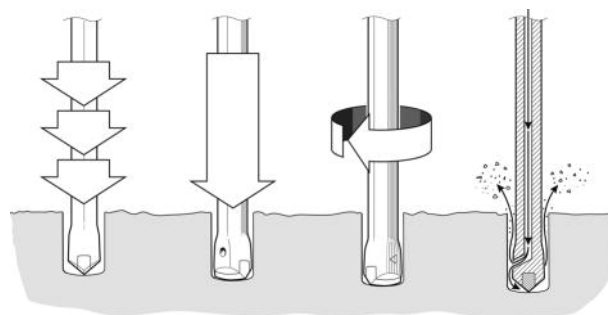
As máquinas destinam-se a serem utilizadas em conjunto com as colunas telescópicas BMT 51, ALF 71, ALF 71-1 ou ALF 67/80.

Os perfuradores de rocha com coluna telescópica têm limpeza por injeção de ar/água, bem como um robusto mecanismo de rotação por barra raiada. Os perfuradores de rocha de coluna telescópica estão equipados com um casquilho para um encabadoiro hexagonal de 22 mm x 108 mm. Os perfuradores de rocha estão equipados com uma ligação de 25 mm (1 in.) para ar e uma ligação de 12,5 mm (½ in.) para água.

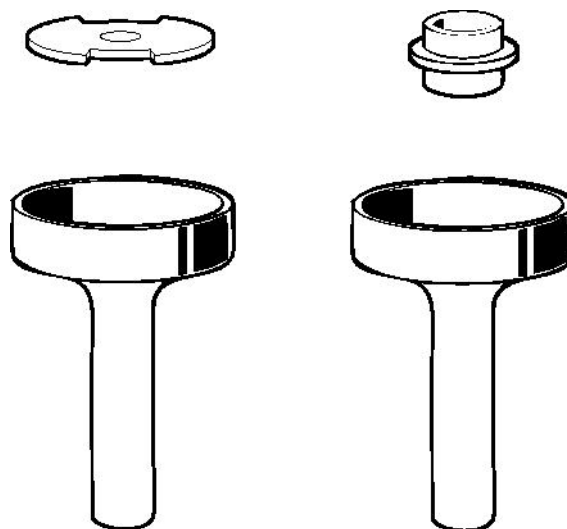
Para escolher as ferramentas de inserção correctas, contacte o seu concessionário Atlas Copco.

### Princípio de funcionamento de um perfurador de rocha

Impacto	Força de avanço	Rotação	Limpeza por injeção de ar/água
---------	-----------------	---------	--------------------------------



### Mecanismo da válvula de controlo



BBC 16W/WS

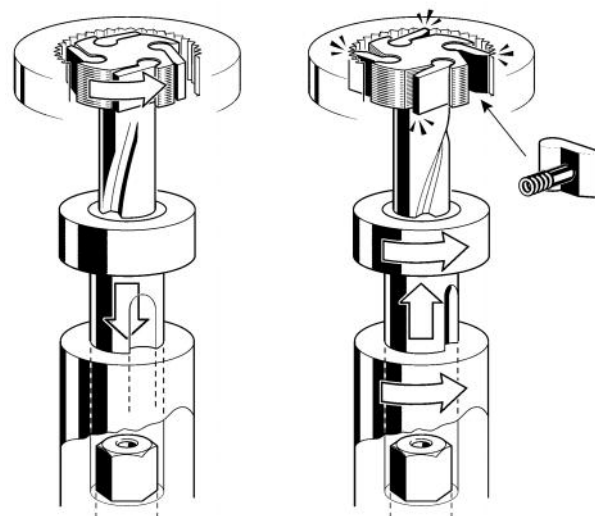
BBC 34W/WS

A válvula direcciona o ar alternadamente de um lado para o outro do pistão, para que este se mova para cima e para baixo. O pistão transmite a energia através da broca de aço para o fundo do furo.

### Mecanismo de rotação

Curso de impacto

Curso de retorno

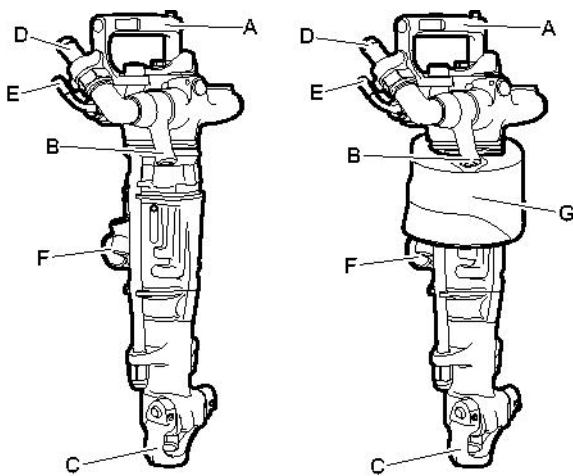


A broca de aço é feita rodar ligeiramente com cada impacto, pela rotação da barra raiada. A rotação é no sentido contrário aos ponteiros do relógio e é aplicada no curso de retorno do pistão.

### Limpeza por injeção de ar/água

A limpeza por injeção de ar/água é conduzida através de dois tubos concêntricos, sendo o tubo exterior para o ar e o tubo interior para a água. Isto significa que a limpeza por injeção de ar/água ocorre assim que o ar comprimido é ligado. O objectivo disto é evitar que a água entre dentro do mecanismo de percussão do perfurador de rocha.

## Peças principais



BBC 16W/34W

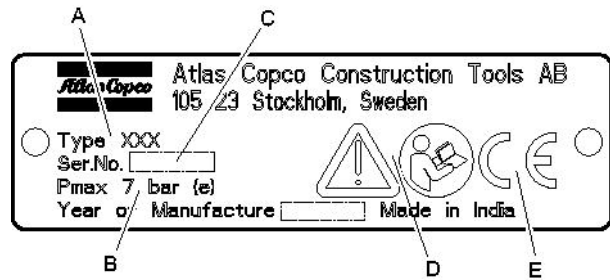
BBC 16WS/34WS

- A. Pega
- B. Alavanca de aceleração
- C. Retentor da broca de aço
- D. Bocal de entrada de ar
- E. Bocal de entrada de água
- F. Acessório para máquina
- G. Silenciador

## Autocolantes

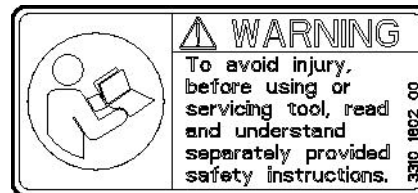
A máquina está equipada com autocolantes que mostram informação importante sobre a segurança pessoal do operador e a manutenção da máquina. Os autocolantes devem estar em boas condições que permitam a sua leitura com facilidade. Novos autocolantes podem ser encomendados a partir da lista de peças sobressalentes.

## Placa de dados



- A. Tipo de máquina
- B. Pressão máxima permitida de ar comprimido
- C. Número de série
- D. O símbolo de atenção, juntamente com o símbolo de livro, significa que o utilizador tem que ler as instruções de segurança e operação antes de poder utilizar o equipamento pela primeira vez.
- E. O símbolo CE significa que a máquina está aprovada pela CE. Consulte a Declaração CE que é fornecida com o equipamento para obter mais informações. Se o símbolo CE não estiver presente, isso significa que a máquina não está aprovada pela CE.

## Autocolante de segurança



Para evitar ferimentos, antes de operar ou fazer manutenção na ferramenta, leia e compreenda as instruções de segurança, fornecidas em separado.

## Instalação

### Desembalar o perfurador de rocha

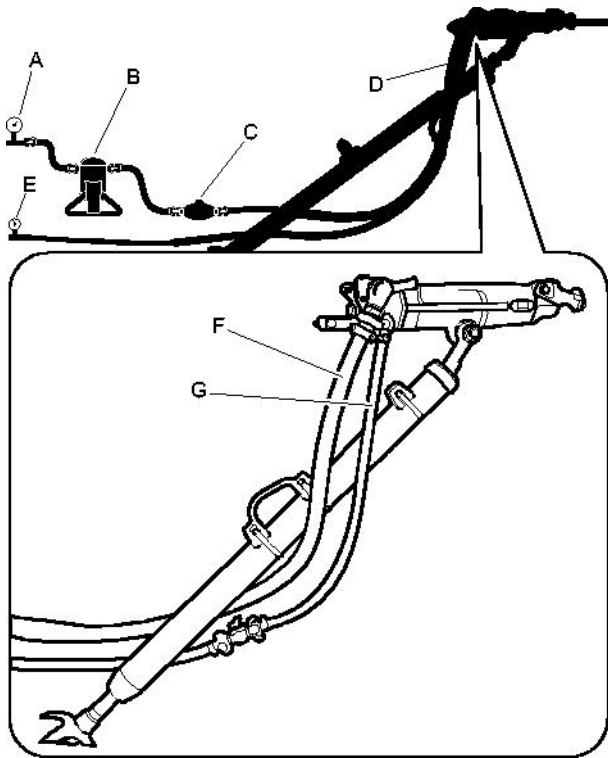
#### Protecções de plástico

Antes de utilizar o perfurador de rocha pela primeira vez, deve remover todas as protecções de plástico dos bocais de mangueira, dos orifícios de ventilação, e do casquilho rotativo.

#### Lubrificar

Depois de desembalar e instalar a ferramenta, despeje uma quantidade abundante de óleo de lubrificação na ligação de ar.

## Mangueiras e ligações



- A. Fonte de ar comprimido
  - B. Separador de água, VAM 5A (opcional)
  - C. Lubrificador, BLG 30 ou CLG 30 (opcional)
  - D. Mangueira de ar comprimido entre o lubrificador e o equipamento com um máximo de 3 metros.
  - E. Água
  - F. Mangueira de ar, máquina
  - G. Mangueira de água
- ♦ Verifique se está a utilizar a pressão de funcionamento correcta recomendada, 6 bar (e).
  - ♦ A pressão máxima de ar permitida, 7 bar (e), não pode nunca ser excedida.
  - ♦ Sobre quaisquer impurezas da mangueira de ar comprimido antes de a ligar ao equipamento.
  - ♦ Selecione a dimensão e comprimentos correctos para a mangueira de ar comprimido. No caso de mangueiras até 30 metros de comprimento, deve utilizar uma mangueira com um diâmetro interior mínimo de 25 mm (1 in.). Se o comprimento da mangueira for de 30 a 100 metros, deve utilizar uma mangueira com um diâmetro interior mínimo de 50 mm (2 in.).

## Métodos para evitar o congelamento

Pode ocorrer a formação de gelo no silenciador quando a temperatura ambiente for de 0 a 10° C (de 32 a 50 °F), e a humidade relativa for elevada.

O equipamento é concebido para evitar a formação de gelo no silenciador. Apesar disso, pode formar-se gelo no silenciador, em condições extremas.

Tome as seguintes medidas para neutralizar ainda mais o risco de formação de gelo:

- ♦ Use o Atlas Copco Rock Drill AIR-OIL como lubrificante.
- ♦ Use o separador de água VAM 5A.

Se houver formação de gelo no martelo perfurador de rocha, nunca o aqueça para derreter o gelo. Deixe sempre o gelo derreter à temperatura ambiente.

Nunca despeje álcool metílico ou outras substâncias semelhantes para dentro do martelo perfurador de rocha, porque irão interferir na lubrificação e isso irá aumentar o desgaste.

## Conectar o separador de água

O comprimento da mangueira de ar entre o compressor e o separador de água tem de permitir que o vapor de água arrefeça e condense na mangueira antes de atingir o separador de água.

Se a temperatura ambiente for abaixo dos 0°C (32°F), a mangueira tem de ser suficientemente curta para prevenir que a água congele antes de atingir o separador de água.

## Lubrificação

O martelo perfurador de rocha é lubrificado com óleo misturado com ar comprimido, que é levado às peças que necessitam de lubrificação contínua. O óleo é doseado no ar comprimido, utilizando um lubrificador Atlas Copco BLG 30 ou CLG 30 ligado à linha de ar.

Use o Atlas Copco AIR-OIL para Perfuradores de Rocha, o qual é especialmente concebido para os perfuradores de rocha pneumáticos BBC, BBD e RH. O AIR-OIL para Perfuradores de Rocha é prontamente biodegradável, em conformidade com a norma OECD 301, e forma uma película de alta resistência que suporta cargas intensas. Se não estiver disponível AIR-OIL para Perfuradores de Rocha, então use um óleo de base mineral para ferramentas a ar com as propriedades recomendadas na tabela abaixo.

Amplitude de temperatura (°C)	Grau de viscosidade (ISO 3448)
-30 a 0	ISO VG 32-68
-10 a +20	ISO VG 68-100
+10 a +50	ISO VG 100-150

## Ajuste de pressão

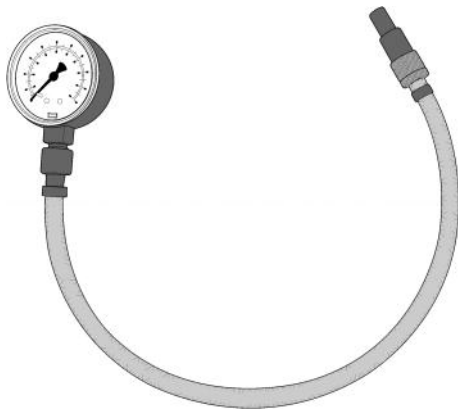
### Pressão de ar

Certifique-se de que o compressor pode fornecer a pressão de ar necessária (de 4 a 6 bar) para a máquina.

1. A pressão alta causa um funcionamento irregular e um desgaste excessivo.
2. A pressão baixa resulta numa velocidade de perfuração lenta.

### Calibre a pressão de ar correcta

Use o manómetro de pressão Atlas Copco (**9090 0550 80**) para verificar a pressão do ar quando o perfurador de rocha estiver a funcionar. A pressão deve ser medida junto ao bocal de entrada. A pressão de operação recomendada é de 6 bar.



O medidor de pressão está equipado com uma agulha que é pressionada para dentro da mangueira, para medir a pressão no seu interior.

### Pressão da água

A pressão da água tem obrigatoriamente que ser pelo menos 1 bar mais baixa do que a pressão do ar, de contrário a água pode entrar dentro do mecanismo de impacto. Por exemplo, se a pressão do ar for de 6 bar, a pressão da água tem obrigatoriamente que ser menos do que 5 bar, para evitar que a água entre dentro do mecanismo de impacto.

## Broca de aço

### ▲ ATENÇÃO Ferramenta de inserção ejetada

Se o retentor da ferramenta na máquina não estiver na posição de travamento, a ferramenta inserida poderá ser ejetada com força, podendo provocar ferimentos pessoais.

- ▶ Antes de mudar a ferramenta de inserção, pare a máquina, desligue o fornecimento de ar comprimido e purgue o equipamento activando o dispositivo de arranque/paragem.

### Antes de colocar a broca de aço

Verifique se o encabadouro da ferramenta tem a dimensão e o comprimento correctos para o casquilho a ser utilizado. O encabadouro tem que estar limpo e a ferramenta tem que estar em boas condições. Os encabadouros que estiverem lascados, arredondados, desenquadrados e demasiado rígidos na extremidade de impacto irão funcionar de forma ineficiente e causar falhas prematuras do êmbolo.

Inspeccione a broca de aço:

Uma broca de aço lenta irá abrandar a velocidade de perfuração e esforçar demasiado o mecanismo de perfuração. Quando mudar a broca de aço certifique-se de que a nova tem a dimensão correcta para continuar a sua perfuração anterior.

Antes de começar a perfuração, verifique se o orifício de limpeza por injeção de ar/água da broca de aço não está bloqueado.

### ▲ CUIDADO Ferramenta de inserção quente

A ponta da ferramenta de inserção pode ficar quente e afiada quando está a ser usada. Se lhe tocar, pode sofrer queimaduras e cortes.

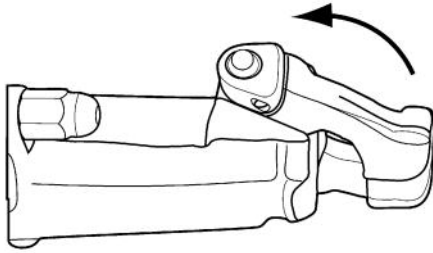
- ▶ Nunca toque numa ferramenta de inserção quente ou afiada.
- ▶ Espere até que a ferramenta de inserção tenha arrefecido, antes de fazer tarefas de manutenção.

**AVISO** Nunca use água para arrefecer uma ferramenta de inserção quente, porque isso pode tornar a ferramenta quebradiça e levá-la a falhar antes do tempo.

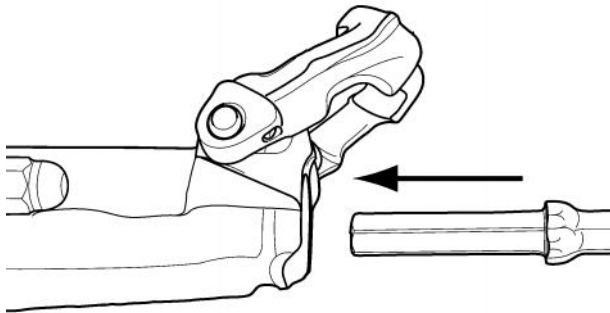
### Colocar a broca de aço

Sempre que colocar a broca de aço, é obrigatório cumprir as seguintes instruções:

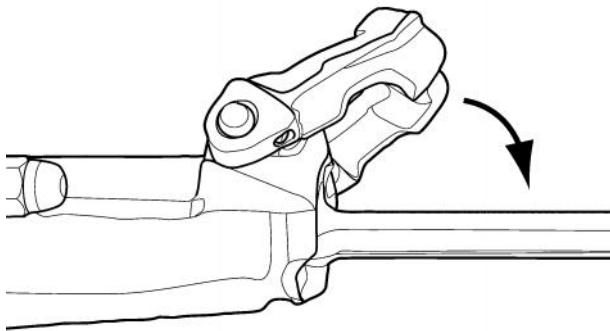
1. Empurre o retentor para fora na direcção da seta até que a parte da frente do retentor consiga acomodar o aro da broca de aço.



2. Insira a broca de aço no casquilho.



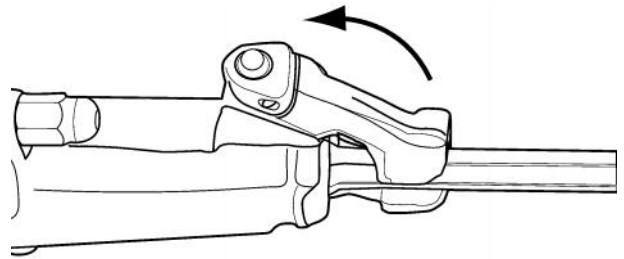
3. Quando a broca bater no fundo, empurre o retentor para trás de modo a trancá-lo.



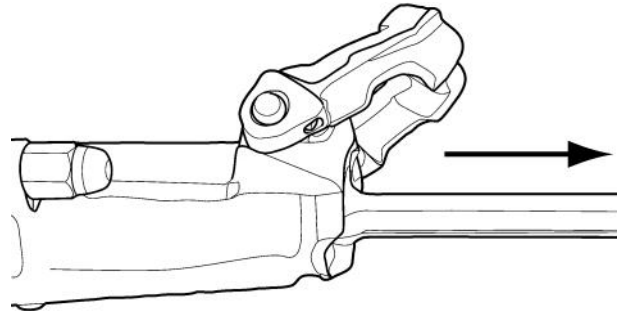
### Remover a broca de aço

Sempre que remover a broca de aço, é obrigatório cumprir as seguintes instruções:

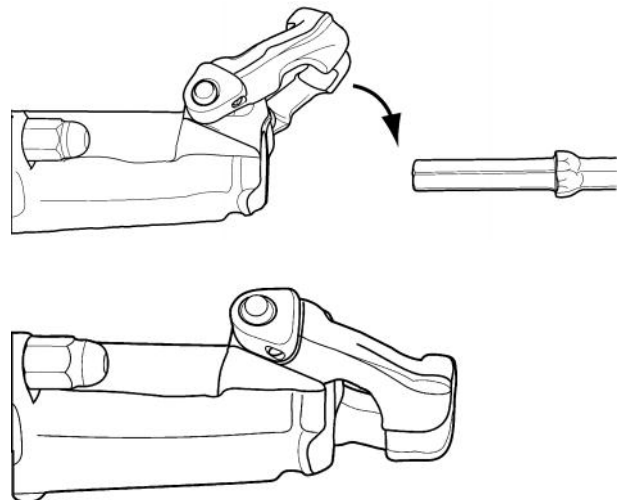
1. Empurre o retentor para trás na direcção da seta até que o aro da broca de aço se liberte da parte da frente do retentor.



2. Puxe a broca de aço para fora.



3. Empurre o retentor para trás.



### Operação

#### ▲ ATENÇÃO Arranque involuntário

O arranque involuntário da máquina pode provocar ferimentos.



- ▶ Mantenha as mãos longe do dispositivo de arranque e paragem até estar pronto para dar arranque à máquina.
- ▶ Aprenda a como desligar a máquina em caso de emergência.
- ▶ Pare a máquina imediatamente em todos os casos de interrupção de alimentação.

## Preparações antes de arrancar

### Verifique o equipamento de perfuração

- ◆ Verifique se todo o equipamento de perfuração está em boas condições de funcionamento.
- ◆ Verifique se a superfície de impacto do encabadouro da broca de aço está lisa, sem sinais de desgaste.
- ◆ Certifique-se de que a entrada de ar e as portas de escape estão livres de obstruções.
- ◆ Certifique-se de que os orifícios de limpeza por injeção de ar/água da broca de aço e do trépano não estão obstruídos, e que o ar/água de limpeza correm sem impedimentos.
- ◆ Certifique-se de que o filtro de ar (localizado no bocal de ar) está limpo e que não está rasgado nem distorcido.
- ◆ Certifique-se de que os acessórios estão bem fixados e à prova de fugas.

### ▲ PERIGO Chicotada das mangueiras de ar

Um mangueira de ar comprimido que se solte pode causar ferimentos pessoais ou morte

- ▶ Certifique-se de que as mangueiras de ar comprimido e as ligações não estão danificadas.
- ▶ Certifique-se de que as mangueiras de ar comprimido e as ligações estão bem presas.

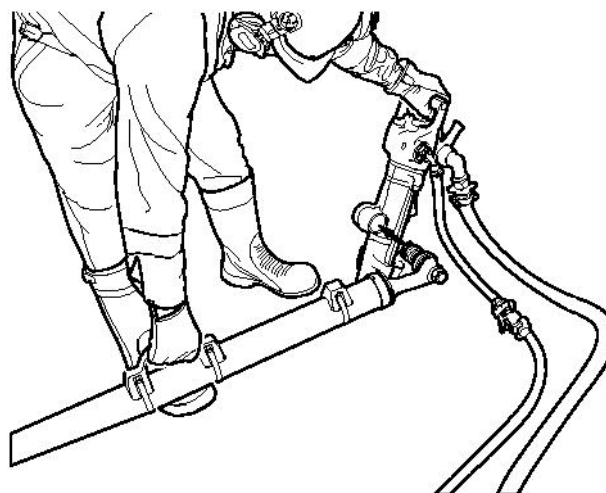
### Faça uma descarga de ar pela mangueira de ar

- ◆ Diariamente, antes de utilizar o martelo perfurador, faça uma descarga de ar pela mangueira de ar, para a limpar de qualquer sujidade e humidade acumuladas.

### Encha o lubrificador com óleo

- ◆ Certifique-se de que o casquilho e o encabadouro da broca de aço estão sempre cobertos por uma película de óleo.

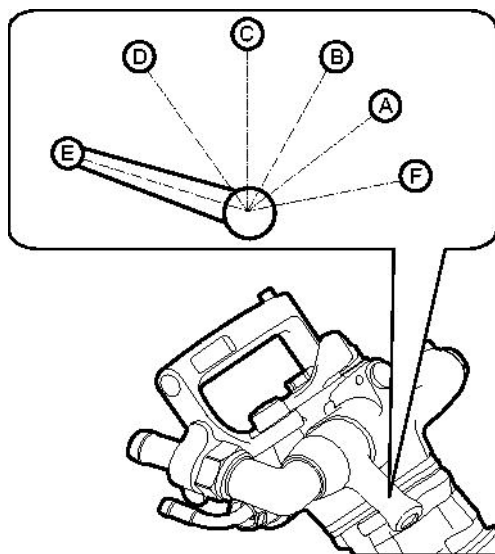
## Acoplar a coluna telescópica ao perfurador de rocha



A coluna telescópica tem obrigatoriamente que ser fixada ao perfurador telescópico através do acoplamento de baioneta.

## Controlos

### Alavanca do acelerador

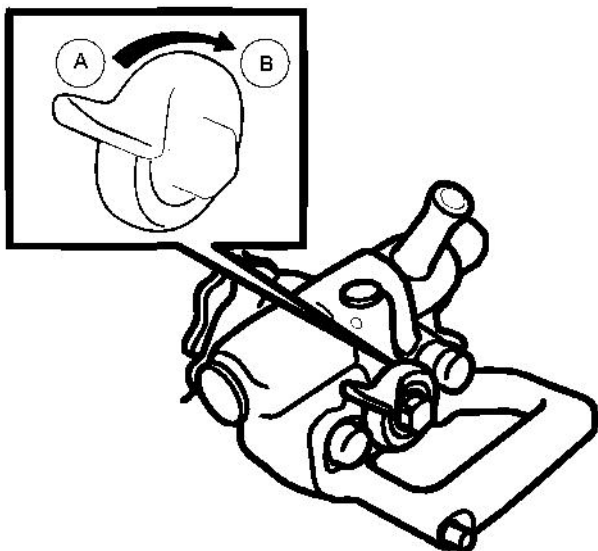


O perfurador de rocha está equipado com uma alavanca de acelerador para regular tanto o ar comprimido para o mecanismo de percussão, como a água do sistema de limpeza por injeção.

- A. Válvula do acelerador fechada (posição de paragem). Só limpeza por descarga de ar.
- B. Ar para a coluna telescópica.
- C. Água de limpeza por injeção.
- D. Ar para o mecanismo de percussão.
- E. Alavanca do acelerador completamente aberta (acelerador no máximo).

F. Descarga de ar adicional.

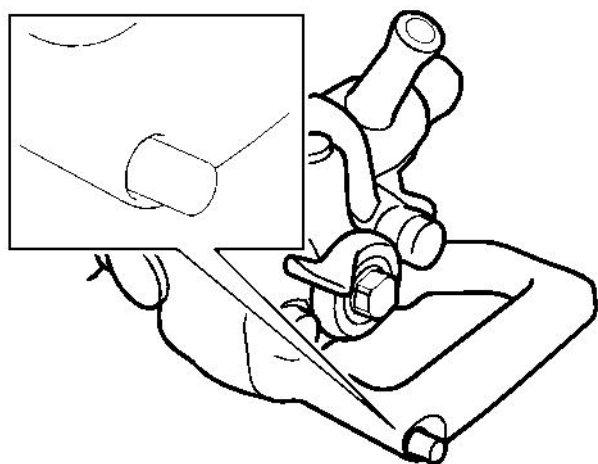
### Alavanca de controlo de avanço



Ajuste a força de avanço usando a alavanca de controlo de avanço, da seguinte maneira:

- ◆ Rode a alavanca de controlo de avanço no sentido dos ponteiros do relógio (B) para aumentar a força de avanço.
- ◆ Rode a alavanca de controlo de avanço no sentido contrário aos ponteiros do relógio (A) para diminuir a força de avanço.
- ◆ Quando a alavanca de controlo de avanço está na posição de fechado (A), a coluna telescópica é purgada.

### Pino da válvula

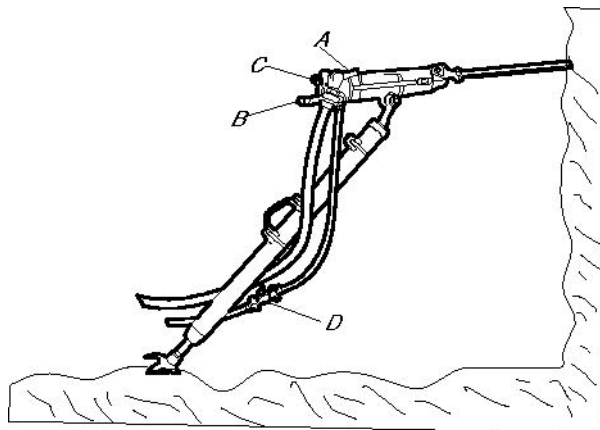


Quando o pino da válvula é empurrado para dentro, a força de avanço pára de repente e a regulação da alavanca de controlo de avanço é desactivada. A biela do pistão é recolhida automaticamente para dentro da coluna telescópica. Esta função é usada, por exemplo, para ajustar a altura do perfurador de

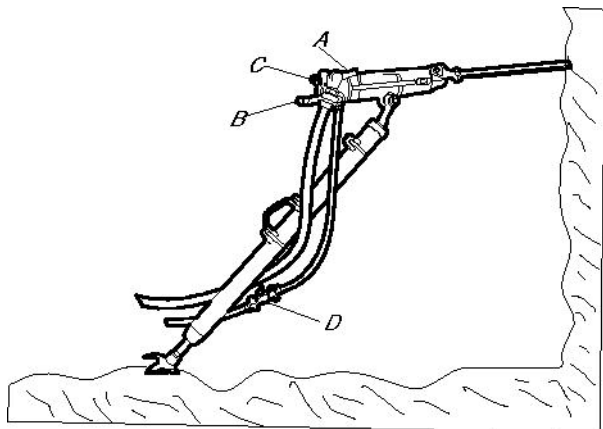
rocha durante a montagem da coluna telescópica, ou se houver tendência para encravar. Quando o pino da válvula é puxado para fora, a alavanca de controlo de avanço é activada novamente.

## Arranque e paragem

### Dar arranque ao perfurador de rocha



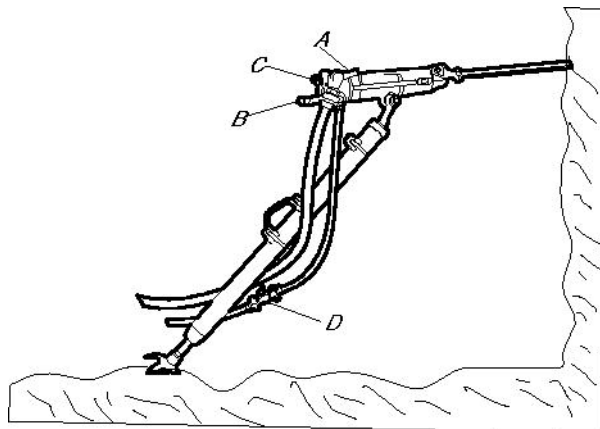
1. Abra a válvula principal de ar comprimido.
2. Abra a torneira (D) para a água do sistema de limpeza por injeção.
3. Ajuste a alavanca de controlo de avanço (C) para dar uma força de avanço adequada para martelar o furo.
4. Alinhe o perfurador de rocha de modo a que a broca de aço toque no ponto de martelamento pretendido.
5. Mova a alavanca do acelerador (A) ligeiramente para a frente, o que irá fazer começar a limpeza por injeção de ar/água, a percussão e a rotação.
6. Martele o furo com uma força de avanço reduzida.
7. Mova a alavanca do acelerador (A) toda para a frente, assim que a broca de aço tiver ganho uma base segura na rocha.
8. Ajuste a força de avanço rodando a alavanca de controlo de avanço (C), para obter assim a taxa de penetração máxima.

**Parar o perfurador de rocha**

1. Puxe a alavanca do acelerador (A) para trás, o que irá fazer parar a percussão, a rotação e a água da limpeza por injeção.
2. Rode a alavanca de controle de avanço (C) para a posição de fechado.

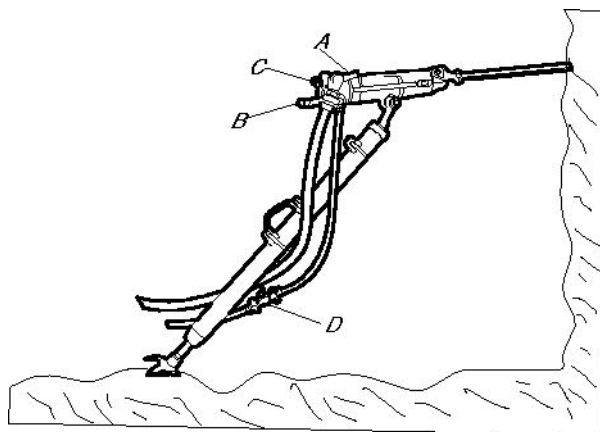
**Funcionamento****Perfurar**

- ◆ Utilize sapatos, luvas e capacete de proteção, protectores de ouvidos e proteção para os olhos resistente ao impacto, com proteção lateral.
- ◆ Fique de pé firmemente e segure sempre a máquina com as duas mãos.
- ◆ Empurre a ferramenta inserida com firmeza contra a superfície de trabalho antes de pôr a máquina a trabalhar.

**Reposicionar a coluna telescópica**

1. Desligue a percussão do perfurador de rocha e a água/ar de limpeza por injeção, com a alavanca do acelerador (A).
2. Empurre o pino da válvula (B), o que fará com que a biela seja recolhida automaticamente para dentro do cilindro da coluna telescópica.
3. Reposicione a coluna telescópica.
4. Liberte o pino da válvula (B), o que fará com que a biela se desloque novamente para fora.
5. Mova a alavanca do acelerador (A) para a frente, para a posição de funcionamento.

Não é preciso tocar na alavanca de controle de avanço (C) durante esta operação.

**Limpeza por descarga do furo de perfuração**

Se for necessário fazer limpeza por descarga do furo de perfuração:

- 1) Rode a alavanca do acelerador (A) totalmente para trás para além da posição de paragem, para a posição de descarga de ar adicional (ver “Controlos”), o que fará parar o perfurador de rocha. Isto pode ser feito durante a perfuração.
- 2) Quando o furo de perfuração estiver limpo, rode a alavanca do acelerador (A) outra vez para a frente, para voltar a arrancar o perfurador de rocha.

## Ao fazer uma pausa

- ◆ Pouse sempre o martelo perfurador de rocha sobre uma pedra, uma tábua ou um objecto semelhante, para evitar que as aparas do corte ou outros corpos estranhos entrem para dentro do casquilho.
- ◆ Desligue a pressão de água antes da pressão de ar. Depois de desligar a água, deixe o martelo perfurador de rocha trabalhar durante alguns segundos para o limpar da água e da humidade.

## Manutenção

Fazer manutenção regular à máquina é essencial para que a máquina possa continuar a ser utilizada com eficiência e em segurança. Siga cuidadosamente as instruções de manutenção.

- ◆ Antes de começar a manutenção da máquina, limpe-a para evitar exposição a substâncias perigosas. Veja “Perigos de poeiras e fumos”
- ◆ Utilize só peças autorizadas. Quaisquer danos ou mau funcionamento causados pela utilização de peças não autorizadas não estão cobertos pela Garantia ou pela Responsabilidade Legal do Produto.
- ◆ Quando limpar peças mecânicas com solvente, cumpra os regulamentos apropriados de Saúde e Segurança, e certifique-se de que há ventilação suficiente.
- ◆ Para fazer uma grande revisão/reparação à máquina, contacte a sua oficina autorizada mais próxima.
- ◆ Depois de cada assistência, certifique-se de que o nível de vibração da máquina é normal. Se não for, contacte a sua oficina autorizada mais próxima.

## Diferenças entre peças de origem e peças standard

Quando comprar uma peça, a primeira coisa a fazer é verificar se essa peça é uma peça Atlas Copco. Na sua maioria, as peças podem ser identificadas.



Geralmente, as peças dos martelos perfuradores de rocha estão assinaladas com a referência e a marca de identidade da Atlas Copco, que é um círculo com um martelo perfurador de rocha. Em alguns casos, a peça está assinalada apenas com o círculo ou apenas com o número de peça.

As peças de borracha e de plástico normalmente não estão assinaladas.

Os concorrentes que copiam as nossas peças muitas vezes assinalam as peças maiores e mais caras. Algumas peças têm apenas o número de peça, mas outras também têm uma marca de identidade sob a forma das iniciais do nome do fabricante. Os números de peça das peças standard são, na maioria, gravados à mão, o que resulta em irregularidades. Os números de peça gravados pela Atlas Copco são regulares e os algarismos individuais são do mesmo tamanho. Para além disso, a profundidade dos algarismos e o espaçamento entre os mesmos em cada grupo são os mesmos.

## Diariamente

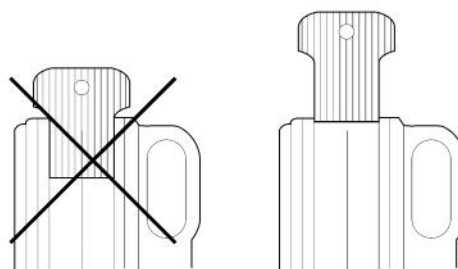
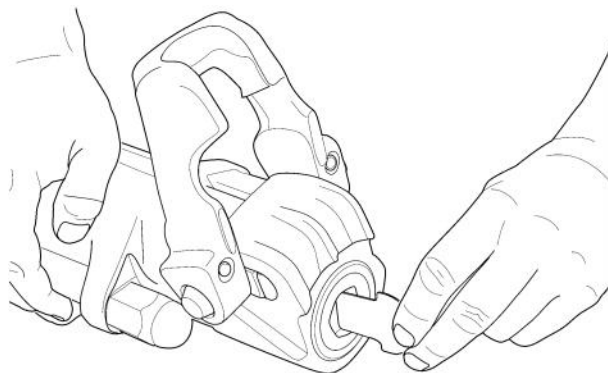
Em máquinas pneumáticas, antes de efectuar qualquer tarefa de manutenção ou de mudança da ferramenta de inserção, desligue sempre o fornecimento de ar e purgue a máquina, pressionando para isso o dispositivo de arranque e paragem, em seguida, remova a mangueira hidráulica da máquina.

- ◆ Limpe e inspecione a máquina e as respectivas funções todos os dias, antes de começar o trabalho.
- ◆ Faça uma inspecção geral, procurando fugas e danos.
- ◆ Verifique se o bocal de entrada de ar está bem apertado, e se o acoplamento de gancho não está danificado.

- ◆ Verifique o funcionamento da pega do acelerador. Certifique-se de que se move livremente para cima e para baixo.
- ◆ Verifique o funcionamento do retentor. Certifique-se de que o retentor trava a broca de aço.
- ◆ Mude imediatamente quaisquer peças danificadas.
- ◆ Substitua os componentes desgastados atempadamente.
- ◆ Verifique os parafusos atravessados da máquina. Certifique-se de que os parafusos estão bem apertados.
- ◆ Se a máquina estiver equipada com uma panela de escape, verifique se há danos.

## Inspeção de desgaste

1. Verifique o desgaste no casquilho utilizando o medidor Atlas Copco (**3091 0038 00**) (22 mm). Se o limite de desgaste tiver sido excedido, o encabadouro da broca de aço irá desgastar-se mais rapidamente, ou ficar deformado. Isto irá levar a paragens e a um consumo superior da broca de aço.



2. Verifique o aperto das porcas dos parafusos laterais (A). Dê aperto com um binário de 130 Nm.



3. Verifique a ligação do martelo perfurador de rocha à coluna telescópica.
4. Verifique as mangueiras, os acoplamentos e os controlos para ver se existem fugas ou danos.

5. Certifique-se de que o martelo perfurador de rocha e a coluna telescópica estão a receber lubrificação suficiente. Encha o lubrificador conforme necessário.
  6. Drene o separador de água.
  7. Verifique a pressão do ar e da água. Certifique-se de que a pressão da água é pelo menos 1 bar mais baixa do que a pressão do ar.
- Proteja o casquilho utilizando o obturador plástico fornecido com o equipamento. Em alternativa, utilize um obturador de madeira ou um pedaço de desperdício de algodão limpo.
  - No caso de armazenamento de longo prazo, deite um pouco de óleo directamente na entrada de ar do martelo perfurador de rocha, e depois ligue o ar durante breves instantes. Isso irá proteger o equipamento contra a corrosão.

## Manutenção periódica

Após cada período de funcionamento de aproximadamente 100 horas de trabalho, ou três vezes por ano, a máquina tem que ser desmontada, e todas as peças limpas e verificadas. Este trabalho tem que ser realizado por pessoal autorizado e qualificado para o efeito.

## Padrões de danos

As peças gastas ou partidas devem, sempre, ser estudadas cuidadosamente antes de serem substituídas. Estas podem dar informações importantes acerca do estado de conservação do martelo perfurador e da forma como este é utilizado e mantido.

Problema	Causa
As peças de aço apresentam uma cor azulada	As peças foram sujeitas a um calor excessivo. Isto pode ser causado por uma lubrificação insuficiente ou por funcionamento em marcha lenta
As peças de aço têm pequenas fissuras, quase microscópicas, nas superfícies de desgaste	Veja acima
Cavidades irregulares na superfície das peças de bronze	Veja acima
Marcas de cortes	Dano secundário Sujidade dentro da broca
	Alinhamento interior incorrecto devido a uma tensão irregular dos parafusos laterais

## Armazenamento

- Lubrifique sempre devidamente o martelo perfurador de rocha antes de o armazenar.
- Armazene sempre o equipamento num lugar limpo e seco.
- Certifique-se de que nenhuns corpos estranhos entram no equipamento.

## Abate

Uma máquina abatida deve ser tratada e eliminada de maneira a que maior parte possível do seu material possa ser reciclada, e que qualquer influência negativa sobre o meio-ambiente seja mantida ao nível mais baixo possível, e em conformidade com as restrições locais.

## Dados técnicos

### Diagnóstico e reparação de avarias

Problema	Causa	Solução
Nível de penetração diminuído	Fugas de ar em mangueiras, acoplamentos	Mude os vedantes e, quando necessário, mude as peças da válvula de aceleração de penetração
	Fuga na válvula principal (válvula oscilante) Rotação do mancal do casquilho	Rectifique a válvula principal, para que vede correctamente.  Verifique o casquilho rotativo com o medidor <sup>1</sup> para ver se tem desgaste excessivo. O limite para o desgaste permitido é alcançado quando o escantilhão pode ser empurrado até uma distância tal entre os dois lados opostos do orifício hexagonal que os seus ombros entram em contacto com o casquilho
Força de avanço insuficiente	Fugas de ar devido a êmbolo/cilindro gasto	Mude o êmbolo e/ou o cilindro
	Fugas de ar devido a peça intermédia/guia-piloto gasta	Mude a peça gasta
	Formação de gelo no silenciador	Deixe o gelo derreter à temperatura ambiente
Rotação fraca	Retentor da biela desgastado ou deformado	Mude o vedante
Rotação fraca	Ranhuras da porca raiada desgastadas	Substitua a porca raiada se as ranhuras estiverem desgastadas
	Ranhuras da barra raiada desgastadas Ranhuras do êmbolo gastas	Substitua a barra raiada sempre que necessário Substitua o êmbolo sempre que necessário
Rotação fraca	Os dentes na roda dentada	Substitua a carcaça da roda dentada se a carcaça dos dentes estiver de tal forma gasta que os linguetes tenham dificuldade em se fixar
	Os dentes na roda dentada	Substitua a roda dentada se os dentes estiverem de tal forma gastos que os linguetes tenham dificuldade em se fixar
Rotação fraca	Casquilho gasto	Substitua o casquilho se as ranhuras estiverem desgastadas até ½ da largura da ranhura
	Linguetes gastos	Substitua todos os linguetes, todas as molas dos linguetes e todos os pinos dos linguetes
Funcionamento irregular	O êmbolo gripou na peça intermédia ou na guia do êmbolo	Mude a peça intermédia/guia do êmbolo. Se necessário, faça o polimento do êmbolo. Verifique se o êmbolo apresenta danos devido ao calor, como uma cor azulada e/ou fissuras. Se apresentar este tipo de danos, mude também o êmbolo
Funcionamento irregular	Válvula principal suja ou danificada. Causado por impurezas ou corpos estranhos que entram no perfurador juntamente com o ar comprimido	Limpe e faça o polimento da válvula de modo a que esta vede de encontro às respectivas superfícies vedantes cilíndricas e planas. Se isto não for possível por os danos serem demasiado graves, então a válvula tem obrigatoriamente que ser substituída.
	Congelamento. Causado por fugas no sistema de limpeza por injeção de ar/água, ou por um excesso de água no ar comprimido, ou por uma pressão de água excessiva <sup>2</sup>	Verifique os tubos e os vedantes da limpeza por injeção de ar/água, bem como a pressão da água <sup>2</sup> . Drene a água do sistema de ar comprimido. Se o problema continuar, aplique um separador de água no sistema da linha de ar
Funcionamento irregular (cont.)	Os parafusos laterais têm apertos desiguais ou não têm aperto suficiente. Isto pode fazer com que as diferentes peças percam o seu alinhamento, resultando na gripagem das peças móveis. Esforços anormais nos parafusos laterais podem resultar em fracturas nas roscas.	Verifique e repare qualquer dano nos pontos de contacto e dê aperto aos parafusos com o binário de aperto correcto.
Desgaste anormal do casquilho rotativo	Lubrificação insuficiente (pode causar possíveis danos secundários)	Verifique o casquilho com um medidor especialmente concebido para o efeito <sup>1</sup> . O limite máximo de desgaste permitido foi alcançado quando o medidor <sup>1</sup> , introduzido entre duas superfícies planas opostas, tocar no fundo. Verifique a pressão da água <sup>2</sup> - tem obrigatoriamente que ser inferior à pressão do ar <sup>2</sup> .

Problema	Causa	Solução
A broca aquece	Falta de óleo	Adicione óleo e verifique se ele corre. Não basta que haja óleo no ar de escape. Também tem obrigatoriamente que haver uma camada de óleo no encabadouro da broca de aço. Verifique se o lubrificador está ligado na direcção correcta.
Congelamento	Humidade no ar comprimido	Use sífoes para água
	Pressão da água superior <sup>2</sup> à pressão do ar	Baixe a pressão da água
Rupturas no tubo da água	Alinhamento incorrecto do encabadouro	Mude a broca de aço ou o casquilho, ou ambos
	Orifício de limpeza por injeção de ar/água, no encabadouro, danificado	Mude a broca de aço
Cinzelagem da ponta do êmbolo	Alinhamento incorrecto do encabadouro	Mude a broca de aço ou o casquilho, ou ambos
	Desgaste excessivo da ponta do êmbolo	Mude o êmbolo
Danos nas ranhuras	Falta de lubrificação	Baixe a pressão da água <sup>2</sup> se for igual ou superior à pressão do ar
		Aumente a lubrificação ou mude o óleo
Danos no êmbolo	Entrada de sujidade (especialmente ao fazer perfuração de baixo para cima)	Aumentar a frequência de manutenção
	Falta de lubrificação	Baixe a pressão da água se for igual ou superior à pressão do ar
		Aumente a lubrificação ou mude o óleo
Danos nos parafusos laterais	Esforço irregular nos parafusos laterais	Dê aperto aos parafusos correctamente
	Peça intermédia/guia do êmbolo gasta (pode ser confirmado pelo teste de amortecimento)	Mude a peça desgastada peça
Danos nos parafusos laterais	Esforço irregular nos parafusos	Dê aperto aos parafusos correctamente

<sup>1</sup>Medidor para casquilho de 22 mm ( 7/8") encabadouro hexagonal Atlas Copco nº 3091 0038 00.

<sup>2</sup> Use o manómetro de pressão Atlas Copco nº 9090 0550 80 para testar a pressão da água e do ar.

## Dados da máquina

Tipo	Referência	Diâmetro do êmbolo mm (in.)	Comprimento do curso mm (in.)	Comprimento total mm (in.)	Peso kg (lb)	Dimensão do encabadouro mm (in.)
BBC 16W	8311 0401 10	70 (2¾)	55 (2½)	710 (28)	26.0 (57.3)	22 X 108 (7/8 x 4¼)
BBC 16WS	8311 0303 46	70 (2¾)	55 (2½)	710 (28)	27.0 (59.5)	22 X 108 (7/8 x 4¼)
BBC 34W	8311 0408 05	80 (3½)	70 (2¾)	775 (30½)	31.0 (68.3)	22 X 108 (7/8 x 4¼)
BBC 34WS	8311 0303 47	80 (3½)	70 (2¾)	775 (30½)	32.0 (70.5)	22 X 108 (7/8 x 4¼)

Tipo	Consumo de ar (6 bar) l/s (foot <sup>3</sup> /min )	Frequência de impacto (6 bar) Hz	Diâmetro do orifício mm (in.)	Diâmetro do furo de alargamento mm (in.)
BBC 16W	69 (146)	39	27-41 (1-1.6)	≤76 (≤3)
BBC 16WS	69 (146)	39	27-41 (1-1.6)	≤76 (≤3)
BBC 34W	88 (186)	38	27-41 (1-1.6)	≤76 (≤3)
BBC 34WS	88 (186)	38	27-41 (1-1.6)	≤76 (≤3)



## Declaração de ruído e vibração

Nível de ruído garantido **L<sub>w</sub>** de acordo com a ISO 3744 e em conformidade com a directiva 2000/14/CE.

Nível de pressão sonora **L<sub>p</sub>** de acordo com a ISO 11203.

Valores das vibrações **A** e incerteza **B** determinado de acordo com ISO 5349-2. Ver a tabela “Dados de ruído e vibração” para os valores de A, B, etc.

Estes valores declarados foram obtidos por meio de ensaios laboratoriais de acordo com a directiva ou as normas declaradas e são adequados para comparação com os valores declarados de outras ferramentas testadas de acordo com as mesmas directivas ou normas. Estes valores declarados não são adequados para utilização em avaliações de risco, e os valores medidos em locais de trabalho individuais podem ser mais elevados. Os valores reais de exposição e o risco para o utilizador individual são únicos e dependem do modo como o utilizador trabalha, do material em que o equipamento é utilizado, bem como do tempo de exposição e do estado físico do utilizador, e das condições da máquina.

Nós, na Atlas Copco Construction Tools AB, não podemos ser considerados responsáveis pelas consequências de usar os valores declarados em vez de valores que reflectam a exposição real na avaliação de riscos pessoais numa situação de trabalho sobre a qual não temos qualquer controlo.

Esta ferramenta poderá provocar síndrome de vibração da mão-braço, se a respectiva utilização não for gerida correctamente. Pode ser encontrada uma guia da CE para gerir a vibração da mão-braço em <http://www.humanvibration.com/EU/VIBGUIDE.htm>

Recomendamos um programa de supervisão médica para detectar atempadamente possíveis sintomas que possam estar relacionados com a exposição a vibrações, permitindo modificar os procedimentos de gestão para ajudar a evitar uma futura deficiência.

## Dados sobre o ruído e vibrações

Tipo	Ruído		Vibração	
	Valores declarados		Valores declarados	
	Pressão sonora	Potência sonora	Valores dos três eixos	
	ISO 11203	ISO 15744	ISO 5349-2	
	L <sub>p</sub> r=1m dB(A) rel 20µPa	L <sub>w</sub> garantido dB(A) rel 1pW	A m/s <sup>2</sup> valor	B m/s <sup>2</sup> dispersões
BBC 16W	111	122	16.6	-
BBC 16WS	103	114	16.6	-
BBC 34W	116	127	20.4	-
BBC 34WS	109	120	20.4	-

## Acessórios

Descrição	Nota	Quantidade	Referência
CLG 30, Tipo Europeu	Para óleos minerais e sintéticos	1	8202 5102 39
BLG 30, Tipo Europeu	Para óleo mineral	1	8202 5102 05
VAM 5A, Tipo Europeu	Caudal de ar <120 l/s (254 ft <sup>3</sup> /min)	1	8092 0110 82
Mangueira de borracha, pré-montada	25 mm (1 in.), 3 m (10 ft)	1	9030 2051 00
Mangueira X-LITE, universal	25 mm (1 in.), 20 m (65 ft)	1	9030 2111 00
AIR-OIL para Perfurador de Rocha	10 l	1	8099 0201 10
AIR-OIL para Perfurador de Rocha	208 l	1	8099 0201 28

## Coluna telescópica

Tipo	Referência	Adequado para perfurador de rocha	Comprimento do avanço mm	Comprimento recolhida mm	Comprimento esticada mm	Peso kg	Diâmetro do êmbolo mm
<b>Telescópio simples</b>							
BMT 51	8321 0301 01	BBC 16W/WS, BBC 34W/WS	1300	1658	2958	15	60
ALF 71	8321 0201 94	BBC 16W/WS, BBC 34W/WS	1300	1805	3105	14	70
ALF 71-1	8321 0201 95	BBC 16W/WS, BBC 34W/WS	950	1455	2405	13	70
<b>Telescópio duplo</b>							
ALF 67/80	8321 0201 85	BBC 16W/WS, BBC 34W/WS	1855	1495	3350	17	67/80

## Declaração de Conformidade da CE

### Declaração de Conformidade da CE (Directiva da CE 2006/42/CE)

Nós, Atlas Copco Construction Tools AB, declaramos pela presente que as máquinas listadas abaixo se encontram em conformidade com as provisões da Directiva 2006/42/CE da CE (Directiva de Maquinaria), e com as normas harmonizadas mencionadas abaixo.

Coluna telescópica para perfuradores de rocha	Referência	Pmax (bar)
BBC 16W	8311 0401 10	7
BBC 16WS	8311 0303 46	7
BBC 34W	8311 0408 05	7
BBC 34WS	8311 0303 47	7

#### Representante autorizado para Documentação Técnica:

Erik Sigfridsson

Atlas Copco Construction Tools AB

Dragonvägen 2

Kalmar

#### Director Geral:

Erik Sigfridsson

#### Fabricante:

Atlas Copco Construction Tools AB

105 23 Stockholm

Sweden

#### Local e data:

Kalmar, 2010-01-01

## ITALIANO

**Indice**

<b>Introduzione</b> .....	135
<b>Informazioni sulle istruzioni per la sicurezza e per l'uso</b> .....	135
<b>Norme di sicurezza</b> .....	136
<b>Terminologia di sicurezza</b> .....	136
<b>Precauzioni e qualifiche personali</b> .....	136
Dispositivi di protezione personale .....	136
Droghe, sostanze alcoliche o farmaci .....	136
<b>Installazione, precauzioni</b> .....	136
<b>Funzionamento, precauzioni</b> .....	137
<b>Manutenzione, precauzioni</b> .....	140
<b>Conservazione, precauzioni</b> .....	141
<b>Avvertenze</b> .....	142
<b>Modello e funzioni</b> .....	142
Principio di funzionamento della perforatrice .....	142
Meccanismo della valvola di controllo .....	142
Meccanismo di rotazione .....	142
Spurgo .....	142
<b>Parti principali</b> .....	143
<b>Etichette</b> .....	143
Targhetta dei dati .....	143
Etichetta di sicurezza .....	143
<b>Installazione</b> .....	143
<b>Disimballaggio della perforatrice</b> .....	143
Ripari in plastica .....	143
Lubrificare .....	143
<b>Tubi e collegamenti</b> .....	144
<b>Misure antigelo</b> .....	144
<b>Collegamento del separatore di condensa</b> .....	144
<b>Lubrificazione</b> .....	144
<b>Regolazione di pressione</b> .....	145
Pressione dell'aria .....	145
Calibrare l'esatta pressione .....	145
Pressione dell'acqua .....	145
<b>Punta di perforazione</b> .....	145
Prima del montaggio della punta di perforazione .....	145
Montaggio della punta di perforazione .....	145
Smontaggio della punta di perforazione .....	146
<b>Funzionamento</b> .....	146
<b>Preparativi prima dell'accensione</b> .....	147
Controllare le attrezzature di perforazione .....	147
Spurgare il flessibile per l'aria .....	147
Riempire di olio l'oliatore .....	147
Collegamento del servosostegno alla perforatrice .....	147
<b>Controlli</b> .....	147
Leva dell'acceleratore .....	147
Leva di comando alimentazione .....	148
Pulsante azionamento servosostegno .....	148
<b>Avviamento e arresto</b> .....	148
Avvio della perforatrice .....	148
Arresto della perforatrice .....	149
<b>Condizioni di esercizio</b> .....	149

Perforazione.....	149
Riposizionamento del servosostegno.....	149
Pulizia del foro con aria compressa.....	149
<b>Durante le pause della lavorazione.....</b>	<b>150</b>
<b>Manutenzione.....</b>	<b>150</b>
<b>Differenza tra parti originali e parti non originali.....</b>	<b>150</b>
<b>Giornaliera.....</b>	<b>150</b>
<b>Controllo dell'usura.....</b>	<b>151</b>
<b>Manutenzione periodica.....</b>	<b>151</b>
<b>Modalità di danneggiamento.....</b>	<b>151</b>
<b>Immagazzinamento.....</b>	<b>151</b>
<b>Smaltimento.....</b>	<b>152</b>
<b>Dati tecnici.....</b>	<b>153</b>
<b>Ricerca dei guasti.....</b>	<b>153</b>
<b>Dati della macchina.....</b>	<b>154</b>
<b>Dichiarazione in materia di rumore e vibrazioni.....</b>	<b>155</b>
<b>Dati su rumore e vibrazioni.....</b>	<b>155</b>
<b>Accessori.....</b>	<b>155</b>
<b>Servosostegni.....</b>	<b>156</b>
<b>Dichiarazione di conformità CE.....</b>	<b>157</b>
<b>Dichiarazione di conformità CE (Direttiva CE 2006/42/CE).....</b>	<b>157</b>



## Introduzione

Grazie per aver scelto un prodotto Atlas Copco. Sin dal 1873 siamo stati impegnati nella ricerca di modi nuovi e migliori per soddisfare le necessità dei nostri clienti. Nel corso degli anni abbiamo messo a punto prodotti di concezione innovativa ed ergonomica per aiutare la nostra clientela a migliorare e razionalizzare il proprio lavoro quotidiano.

Atlas Copco dispone di una rete internazionale di vendita e di assistenza organizzata, costituita di centri di assistenza ai clienti e di distributori ubicati in tutto il mondo. I nostri esperti sono professionisti con una formazione altamente specializzata e dotati di vasta conoscenza dei prodotti e di ampia esperienza sulle loro applicazioni. In tutti gli angoli del mondo, Atlas Copco è in grado di offrire assistenza per i prodotti e la competenza idonea a garantire che i suoi clienti possano lavorare con la massima efficienza in qualunque momento.

Per ulteriori informazioni si prega di visitare il sito: [www.atlascopco.com](http://www.atlascopco.com)

Atlas Copco Construction Tools AB  
105 23 Stockholm  
Sweden

## Informazioni sulle istruzioni per la sicurezza e per l'uso

Scopo di queste istruzioni è fornire le conoscenze per un uso sicuro ed efficiente della perforatrice con motore a scoppio. Tali istruzioni offriranno inoltre consigli e indicazioni su come eseguire la normale manutenzione della perforatrice.

Quando ci si accinge a utilizzare la perforatrice per la prima volta, leggere queste istruzioni attentamente e accertarsi di averle comprese perfettamente.

## Norme di sicurezza

Per ridurre il rischio di lesioni gravi o morte, per se stessi o altre persone, leggere e comprendere le istruzioni sulla sicurezza e l'uso prima di installare, utilizzare, riparare la macchina, eseguirne la manutenzione o modificare gli accessori della macchina.

Affiggere queste istruzioni per la sicurezza e l'uso nelle sedi di lavoro, fornirne copia agli addetti e assicurarsi che tutti le leggano prima di procedere all'uso o alla manutenzione della macchina.

Inoltre, l'operatore o il proprio datore di lavoro dovrebbero valutare i rischi specifici che potrebbero essere presenti come conseguenza di ciascun utilizzo della macchina.

## Terminologia di sicurezza

Le parole Pericolo, Attenzione e Prudenza hanno i seguenti significati:

<b>PERICOLO</b>	Indica una situazione di pericolo che, qualora non sia evitata, può provocare gravi lesioni personali o morte.
<b>AVVERTENZA</b>	Indica una situazione di pericolo che, qualora non sia evitata, può provocare gravi lesioni personali o morte.
<b>ATTENZIONE</b>	Indica una situazione di pericolo che, qualora non sia evitata, può provocare lievi lesioni personali o di modesta entità.

## Precauzioni e qualifiche personali

L'uso e la manutenzione della macchina sono riservati esclusivamente a personale addestrato e qualificato. Questo deve essere in grado di gestire fisicamente la massa, il peso e la potenza dell'utensile. Utilizzare sempre le regole del buon senso.

### Dispositivi di protezione personale

Utilizzare sempre dispositivi di protezione approvati. Gli operatori e tutte le altre persone presenti nella zona di lavoro devono indossare i dispositivi di protezione, che comprenderanno almeno:

- Elmetto protettivo
- Protezione acustica
- occhiali di sicurezza resistenti agli urti con protezioni laterali
- protezione delle vie respiratorie, se necessario

- guanti protettivi
- calzature protettive adeguate
- Camice da lavoro idoneo o abbigliamento simile (non largo) che copra braccia e gambe.

### Droghe, sostanze alcoliche o farmaci

#### ▲ AVVERTENZA Droghe, sostanze alcoliche o farmaci

Droghe, sostanze alcoliche o farmaci possono compromettere il proprio giudizio e la capacità di concentrazione. Scarsa reattività e valutazioni imprecise possono causare gravi incidenti o morte.

- ▶ Non utilizzare mai la macchina qualora si sia estremamente stanchi o sotto l'effetto di droghe, sostanze alcoliche o farmaci.
- ▶ Persone sotto l'effetto di droghe, sostanze alcoliche o farmaci non possono utilizzare la macchina.

## Installazione, precauzioni

### ▲ PERICOLO Colpo di frusta del tubo dell'aria

Un tubo ad aria compressa che si scolleghi può avere dei movimenti sferzanti e causare lesioni personali o la morte. Per ridurre tali rischi:

- ▶ Verificare che il tubo flessibile e i collegamenti per l'aria compressa non siano danneggiati, sostituire se necessario.
- ▶ Verificare che tutti i collegamenti per l'aria compressa siano corretti.
- ▶ Non trasportare mai la macchina pneumatica dal tubo dell'aria.
- ▶ non tentare mai di scollegare un tubo ad aria compressa quando è pressurizzato; Interrompere innanzi tutto l'aria compressa sul compressore e spurgare la macchina attivando il dispositivo di avviamento e arresto.
- ▶ Non orientare il tubo flessibile per aria compressa verso se stessi o altri. Per evitare il rischio di lesioni, non utilizzare mai l'aria compressa per eliminare ad es. polvere, sporco ecc. dagli abiti.
- ▶ Non utilizzare raccordi a sgancio rapido sull'ingresso dell'utensile. Utilizzare raccordi filettati dei tubi in acciaio temprato (o materiale con una equivalente resistenza all'urto).
- ▶ Ogni volta che si utilizzano innesti girevoli universali (raccordi istantanei) raccomandiamo di montare perni di blocco e di utilizzare cavi di sicurezza contro i colpi di frusta per evitare eventuali problemi di collegamento tubo-utensile e tubo-tubo.



**▲ AVVERTENZA Espulsione dell'utensile di inserimento**

Qualora il trattenitore dell'utensile sulla macchina non sia bloccato, l'utensile inserito può essere espulso con forza provocando lesioni personali.

- ▶ Non avviare mai la macchina prima di sostituire l'utensile di inserimento.
- ▶ Prima di cambiare l'utensile di inserimento o altri accessori, spegnere sempre la macchina, disinserire l'alimentazione dell'aria e spurgare la macchina premendo il dispositivo di avviamento e arresto.
- ▶ Mai orientare l'utensile inserito verso se stessi o un'altra persona.
- ▶ Prima di avviare la macchina, accertarsi che l'utensile di inserimento sia inserito a fondo e che il relativo dispositivo di bloccaggio sia saldamente bloccato.
- ▶ Controllare il funzionamento del blocco spingendo all'esterno l'utensile inserito.

**▲ AVVERTENZA Movimento/slittamento dell'utensile di inserimento**

Dimensioni errate della bussola dell'utensile inserito possono causare perdita o slittamento dell'utensile durante il funzionamento. Rischio di lesioni gravi o di schiacciamento di mani e dita.

- ▶ Verificare che l'utensile di inserimento abbia una bussola che presenti la lunghezza e le dimensioni corrette per la macchina per cui è prevista.
- ▶ Non utilizzare mai un utensile di inserimento senza collare.

**Funzionamento, precauzioni****▲ PERICOLO Rischio di esplosione**

Qualora l'utensile di inserimento caldo venga a contatto con sostanze esplosive vi è il rischio di esplosioni. Durante il funzionamento su determinati materiali nonché quando si usano determinati materiali possono verificarsi scintille e incendi. Eventuali esplosioni causerebbero lesioni gravi o morte.

- ▶ Non utilizzare la macchina in ambienti esplosivi.
- ▶ Non utilizzare mai la macchina in prossimità di materiali, vapori e polveri infiammabili.
- ▶ Accertarsi che non siano presenti fonti di gas o esplosivi non rilevati.
- ▶ Non perforare mai in un foro esistente.

**▲ AVVERTENZA Movimenti inattesi**

L'utensile inserito è soggetto a notevoli sollecitazioni durante l'uso della macchina. Dopo un certo periodo di utilizzo l'utensile inserito può rompersi in seguito all'usura. In caso di rottura o di blocco dell'utensile inserito, potrebbe verificarsi un movimento improvviso e inaspettato con possibile rischio di lesioni. Perdite di equilibrio o scivolamenti, inoltre, possono provocare gravi lesioni personali.

- ▶ Operare sempre in posizione stabile, con i piedi allargati parallelamente alle spalle e con il peso del corpo ben bilanciato.
- ▶ Ispezionare sempre l'attrezzatura prima dell'uso. Non utilizzare l'attrezzatura se si sospetta che sia danneggiata.
- ▶ Accertarsi che le impugnature siano pulite e prive di olio e grasso.
- ▶ Tenere lontani i piedi dall'utensile inserito.
- ▶ Afferrare saldamente la macchina con entrambe le mani.
- ▶ Non forare mai in un foro esistente.
- ▶ Non avviare mai la macchina quando questa si trova coricata al suolo.
- ▶ Non "arrampicarsi" mai sulla macchina appoggiando un piede sull'impugnatura.
- ▶ Non colpire né utilizzare impropriamente l'attrezzatura.
- ▶ Verificare regolarmente che l'utensile di inserimento non sia usurato e controllarlo in caso di rischio di danni o rotture evidenti.
- ▶ Prestare sempre la massima attenzione durante il lavoro.

**▲ AVVERTENZA Pericolo di stallo**

Qualora l'utensile di inserimento si blocchi durante il funzionamento, l'intera macchina inizia a ruotare se si perde la presa. La rotazione improvvisa della macchina può provocare gravi lesioni personali o la morte.

- ▶ Afferrare saldamente la macchina con entrambe le mani.
- ▶ Accertarsi che le impugnature siano pulite e prive di olio e grasso.
- ▶ Non forare mai in un foro esistente.

**▲ AVVERTENZA Pericolo di intrappolamento**

Collane, capelli, guanti e indumenti possono impigliarsi nell'utensile di inserimento o dagli accessori in rotazione, provocando soffocamento, strappo del cuoio capelluto, lacerazioni o morte. Per ridurre tali rischi:

- ▶ Non afferrare o toccare mai una punta in acciaio rotante.
- ▶ Non indossare indumenti, collane o guanti che possono rimanere impigliati.
- ▶ Raccogliere eventuali capelli lunghi.

### ▲ AVVERTENZA Rischi correlati alla polvere e ai fumi

Polvere e/o fumi generati o dispersi quando si utilizza la macchina potrebbero provocare patologie respiratorie serie e permanenti, malattie, o altre lesioni corporee (ad esempio, silicosi o altre patologie polmonari irreversibili che possono essere fatali, cancro, patologia neonatali, e/o infiammazioni cutanee).

Alcune polveri, fumi prodotti da perforazione, frantumazione, demolizione, taglio, rettifica e altre attività di costruzione, contengono sostanze note presso lo Stato della California e altre autorità come cancerogene e portatrici di patologie respiratorie, difetti neonatali o altri danni correlati alla riproduzione. Tra queste sostanze vi sono, a titolo esemplificativo:

- silice cristallina, cemento e altri prodotti per l'edilizia.
- Arsenico e cromo derivati da gomma trattata chimicamente.
- Vernici a base di piombo.

Polveri e fumi possono essere invisibili all'occhio nudo, quindi non affidarsi alla vista per determinare la presenza di polveri o fumi nell'aria.

Per ridurre il rischio di esposizione a polveri e fumi, agire come segue:

- ▶ Eseguire una valutazione del rischio specifica per il sito. La valutazione dei rischi deve includere le polveri e i fumi creati dall'impiego della macchina e il potenziale di disturbo delle polveri esistenti.
- ▶ Utilizzare controlli strutturali adeguati per ridurre al minimo la quantità di polveri e fumi nell'aria e per ridurre al minimo l'accumulo su attrezzatura, superfici e parti del corpo. Alcuni esempi di controlli sono: sistemi di ventilazione d'estrazione e di raccolta delle polveri, spruzzi d'acqua e perforazione a umido. Controllare polveri e fumi alla fonte, ove possibile. Accertarsi che questi controlli siano adeguatamente installati, sottoposti a manutenzione e utilizzati correttamente.
- ▶ Indossare, sottoporre a manutenzione e utilizzare correttamente protezioni della respirazione come indicato dal datore di lavoro e come richiesto dalle norme sulla sicurezza e la salute sul lavoro. Le protezioni delle vie respiratorie devono essere idonee alle sostanze in questione (e se applicabile autorità governative rilevanti).

- ▶ Lavorare in un'area ben ventilata.
- ▶ Se la macchina ha uno scarico, dirigerlo in modo tale da ridurre il disturbo delle polveri in un ambiente polveroso.
- ▶ Utilizzare e sottoporre a manutenzione la macchina come indicato nelle istruzioni per l'uso e al sicurezza.
- ▶ Scegliere, sottoporre a manutenzione e sostituire gli utensili di inserimento/prodotti di consumo come indicato nelle istruzioni per l'uso e la sicurezza. La scelta errata o la mancanza di manutenzione degli utensili di inserimento/prodotti di consumo/altri accessori potrebbe provocare un aumento delle polveri o dei fumi.
- ▶ Indossare indumenti protettivi lavabili o monouso sul luogo di lavoro e fare la doccia e indossare indumenti puliti prima di lasciare il luogo di lavoro per ridurre l'esposizione alle polveri e ai fumi a se stesso e quella di altre persone, automobili, abitazioni e altre aree.
- ▶ Non mangiare, bere né fare uso di prodotti a base di tabacco in presenza di polveri e fumi.
- ▶ Lavarsi appena possibile accuratamente le mani e il viso quando si esce dall'area di esposizione e sempre prima di mangiare, bere, usare prodotti del tabacco e di entrare in contatto con altre persone.
- ▶ Rispettare tutte le leggi e le normative applicabili, incluse quelle sulla sicurezza e la salute sul lavoro.
- ▶ Partecipare al monitoraggio dell'aria, alle visite mediche programmate e ai corsi di formazione sulla salute e e sulla sicurezza offerti dal proprio datore di lavoro o dall'azienda e in conformità con le normative e le raccomandazioni sulla sicurezza e la salute sul lavoro. Consultare medici esperti in medicina del lavoro.
- ▶ Lavorare con il proprio datore di lavoro e il sindacato per ridurre l'esposizione a polveri e fumi sul posto di lavoro e per ridurre i rischi. Sulla base dei consigli di esperti sulla sicurezza e sulla salute, definire e implementare programmi, politiche e procedure sulla sicurezza e la salute per proteggere i lavoratori e gli altri dall'esposizione pericolosa a polveri e fumi. Consultare gli esperti.

### ▲ AVVERTENZA Proiettili

Guasti a livello dell'utensile, degli accessori o perfino della macchina stessa, possono generare proiettili ad alta velocità. Durante il funzionamento, schegge o altre particelle di materiale di lavoro possono trasformarsi in proiettili e causare lesioni fisiche, colpendo l'operatore o altre persone. Per ridurre tali rischi:

- ▶ Utilizzare dispositivi di protezione individuali e elmetto di sicurezza omologati, ad esempio occhiali di sicurezza resistenti agli urti con protezioni laterali.
- ▶ Assicurarsi che persone non autorizzate non si introducano nella zona di lavoro.
- ▶ Mantenere il luogo di lavoro privo di corpi estranei.
- ▶ Accertarsi che il pezzo da lavorare sia ben fissato.

#### ▲ **AVVERTENZA** Pericolo di schegge

L'utilizzo dell'utensile di inserimento come strumento di percussione manuale può provocare la formazione di schegge che possono colpire l'operatore con conseguenti lesioni personali.

- ▶ Non utilizzare mai un utensile di inserimento come strumento di percussione manuale. Gli utensili di inserimento sono stati concepiti e termotrattati per essere impiegati esclusivamente all'interno di una macchina.

#### ▲ **AVVERTENZA** Pericoli di scivolamento, inciampo e caduta

Esiste un rischio di scivolamento, inciampo e caduta per esempio inciampo sui cavi o su altri oggetti. Scivolamento, inciampo e caduta possono causare lesioni. Per ridurre tali rischi:

- ▶ Accertarsi sempre che non vi siano cavi o altri oggetti che ostacolano il cammino dell'utente o di altri.
- ▶ Operare sempre in posizione stabile, con i piedi allargati parallelamente alle spalle e con il peso del corpo ben bilanciato.

#### ▲ **AVVERTENZA** Rischi correlati al movimento

Quando si utilizza la macchina per eseguire attività collegate al lavoro, potrebbe verificarsi fastidio a mani, braccia, spalle, collo o altre parti del corpo.

- ▶ Adottare una postura comoda mantenendo una presa sicura ed evitare strane posture sbilanciate.
- ▶ Il cambio di postura durante lavori prolungati può aiutare a ridurre il fastidio e la fatica.
- ▶ In caso di sintomi persistenti o ricorrenti, consultare un medico professionista qualificato.

#### ▲ **AVVERTENZA** Rischi correlati alle vibrazioni

L'uso normale e corretto della macchina espone l'operatore a vibrazioni. Un'esposizione regolare e frequente alle vibrazioni può causare o aggravare, anche solo in parte, lesioni o disturbi a dita, mani, polsi, braccia, spalle e/o nervi e vasi o altre parti del corpo dell'operatore, comprese lesioni o disturbi debilitanti e/o permanenti, che potrebbero svilupparsi gradualmente, nel corso di settimane, mesi o perfino anni. Tali lesioni o disturbi possono provocare danni al sistema circolatorio, sistema nervoso, articolazioni e anche ad altre parti dell'organismo.

Se in un qualunque momento dovessero manifestarsi sintomi quali intorpidimento, fastidio prolungato e ricorrente, sensazione di bruciore, rigidità, formicolio, fitte, indebolimento della presa, dolore, pallore o altro, che si stia utilizzando la macchina o meno, interromperne l'uso e rivolgersi a un medico. La prosecuzione nell'utilizzo della macchina dopo il verificarsi di uno di tali sintomi aumenta il rischio che esso diventi più grave e/o permanente.

Far funzionare ed eseguire la manutenzione sulla macchina come raccomandato in queste istruzioni per impedire un aumento non necessario delle vibrazioni.

Per ridurre l'esposizione dell'operatore alle vibrazioni, adottare le seguenti precauzioni:

- ▶ lasciare che sia l'utensile a eseguire il lavoro. Utilizzare una presa minima sufficiente al controllo corretto e al funzionamento sicuro.
- ▶ Se la macchina è dotata di impugnature ad assorbimento delle vibrazioni, tenerle in posizione centrale, evitando di premerle nei fermi terminali.
- ▶ Quando è attivato il meccanismo di percussione, il solo contatto che il corpo dell'operatore deve avere con la macchina è delle mani sull'impugnatura/impugnature. Evitare altro contatto, ad es. addossando una parte del corpo alla macchina o appoggiandovisi per aumentare la forza di avanzamento. Inoltre è importante mantenere il dispositivo di avviamento e di arresto non innestato durante l'estrazione dell'utensile dalla superficie di lavoro frantumata.
- ▶ Accertarsi che sull'utensile inserito venga eseguita una corretta manutenzione (ad es. affilatura, se si tratta di un utensile da taglio), che non sia usurato e che sia delle dimensioni corrette. Utensili di inserimento sui quali non venga eseguita una corretta manutenzione, che siano usurati o di dimensioni errate impiegano più tempo a compiere un'operazione (quindi con un periodo maggiore di esposizione alle vibrazioni) e possono causare o contribuire a più alti livelli di esposizione alle vibrazioni.

- ▶ Interrompere immediatamente il lavoro se la macchina improvvisamente inizia a vibrare eccessivamente. Prima di riprendere il lavoro, individuare e rimuovere la causa dell'aumento delle vibrazioni.
- ▶ Non afferrare mai o toccare l'utensile inserito con la macchina in funzione.
- ▶ Partecipare a sorveglianza o monitoraggio sanitario, esami medici e programmi di formazione resi disponibili dal proprio datore di lavoro e quando richiesto dalla legge.
- ▶ Quando si lavora al freddo, indossare indumenti caldi e tenere sempre le mani calde e asciutte.

Vedere la "Dichiarazione in materia di rumore e vibrazioni" per quanto concerne la macchina, compresi i valori di vibrazione dichiarati. Queste informazioni si trovano al termine di queste istruzioni per la sicurezza e per l'uso.

- ◆ Nell'utilizzare la macchina, adottare la pressione dell'aria raccomandata. Una pressione dell'aria maggiore o inferiore può causare livelli più alti di vibrazioni.

#### ▲ PERICOLO Pericolo elettrico

La macchina non è isolata elettricamente. In caso di contatto della macchina con l'elettricità possono derivarne lesioni personali gravi o morte.

- ▶ Non mettere mai in funzione la macchina vicino a cavi elettrici o ad altre fonti di elettricità.
- ▶ Accertarsi che non siano presenti cavi nascosti o altre sorgenti elettriche nella zona di lavoro.

#### ▲ AVVERTENZA Pericoli correlati a oggetti nascosti

Durante il funzionamento, cavi e tubi nascosti possono provocare gravi lesioni personali.

- ▶ Prima del funzionamento, verificare la composizione del materiale della macchina.
- ▶ Accertarsi che non vi siano cavi e condutture nascosti, ad es. di elettricità, linee telefoniche, acqua, gas e acque di rifiuto, ecc.
- ▶ Qualora si sospetti che l'utensile inserito abbia urtato un oggetto nascosto, spegnere immediatamente la macchina.
- ▶ Accertarsi che non vi siano pericoli prima di continuare.

#### ▲ AVVERTENZA Avviamento accidentale

L'avviamento accidentale della macchina può provocare gravi lesioni personali.

- ▶ Tenere lontane le mani dal dispositivo di avviamento ed arresto fino a quando l'operatore non è pronto ad avviare la macchina.
- ▶ Imparare come fermare la macchina in caso di emergenza.
- ▶ Rilasciare immediatamente il dispositivo di avviamento e arresto in caso di interruzione di corrente.
- ▶ Per il montaggio o lo smontaggio dell'utensile di inserimento disattivare l'alimentazione pneumatica, disaerare la macchina premendo il dispositivo di avvio e arresto e scollegare la macchina dalla sorgente di alimentazione.

#### ▲ AVVERTENZA Rischio correlato al rumore

Elevati livelli di rumore possono causare una perdita dell'udito permanente e disabilitante, nonché altri problemi quali acufeni (fischi, ronzii, crepitii nelle orecchie). Per ridurre i rischi ed evitare qualsiasi inutile aumento dei livelli di rumore:

- ▶ La valutazione del rischio e l'implementazione di adeguati controlli sono fondamentali.
- ▶ Utilizzare e sottoporre a manutenzione la macchina come indicato nelle presenti istruzioni.
- ▶ Scegliere, sottoporre a manutenzione e sostituire l'utensile di inserimento come indicato nelle presenti istruzioni.
- ▶ Se la macchina è dotata di un silenziatore, assicurarsi che sia in posizione e in buone condizioni.
- ▶ Utilizzare sempre protezioni acustiche.
- ▶ Utilizzare materiale di smorzamento per evitare che i pezzi lavorati "suonino".

## Manutenzione, precauzioni

#### ▲ AVVERTENZA Modifica della macchina

Eventuali modifiche alla macchina possono causare lesioni personali all'operatore e ad altre persone.

- ▶ Non modificare mai la macchina. Le macchine modificate non sono coperte da garanzia o responsabilità sul prodotto.
- ▶ Utilizzare sempre ricambi, utensili d'inserimento ed accessori originali approvati dalla Atlas Copco.
- ▶ Sostituire immediatamente i pezzi danneggiati.
- ▶ Sostituire tempestivamente i componenti usurati.

#### ▲ ATTENZIONE Utensile di inserimento caldo

La punta dell'utensile di inserimento potrebbe riscaldarsi e potrebbe affilarsi quando viene utilizzata. Il contatto con la punta può causare ustioni e tagli.

- ▶ Non toccare mai un utensile di inserimento quando è caldo o tagliente.
- ▶ Attendere che l'utensile di inserimento si sia raffreddato prima di eseguire qualsiasi intervento di manutenzione.

**▲ AVVERTENZA Pericoli legati all'utensile di inserimento**

L'azionamento accidentale del dispositivo di avvio e di arresto durante la manutenzione o l'installazione può causare lesioni gravi quando l'alimentazione è collegata.

- ▶ Non ispezionare, pulire, installare o rimuovere l'utensile di inserimento quando l'alimentazione è collegata.

## **Conservazione, precauzioni**

---

- ◆ La macchina e gli utensili devono essere conservati in un luogo sicuro e fuori dalla portata dei bambini, chiuso a chiave.

## Avvertenze

Per ridurre il rischio di lesioni gravi o morte, per se stessi o altre persone, prima di utilizzare la macchina leggere la sezione delle istruzioni sulla sicurezza che si trova nelle prime pagine di questo manuale.

## Modello e funzioni

Le perforatrici Atlas Copco BBC 16W/WS e BBC 34W/WS sono perforatrici con spurgo ad acqua progettate per una pressione pneumatica di 4–6 bar. Le perforatrici sono state progettate per le seguenti operazioni:

BBC 16W/WS e BBC 34W/WS vengono utilizzate in molte applicazioni sotterranee edili e minerarie. Sono perforatrici con servosostegno versatili, indicate per formazioni rocciose di durezza media ed elevata. Non è consentito uso diverso da quello indicato.

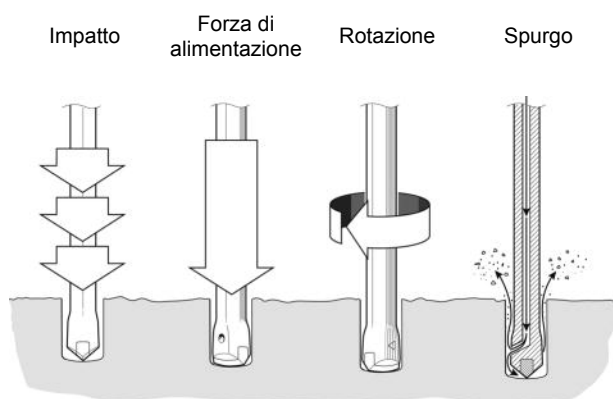
Il supporto del servosostegno aiuta l'operatore a sollevare e avanzare la perforatrice durante le operazioni. Il comando del servosostegno si trova nella testata posteriore della perforatrice.

Le macchine vanno utilizzate con servosostegni BMT 51, ALF 71, ALF 71-1, o ALF 67/80.

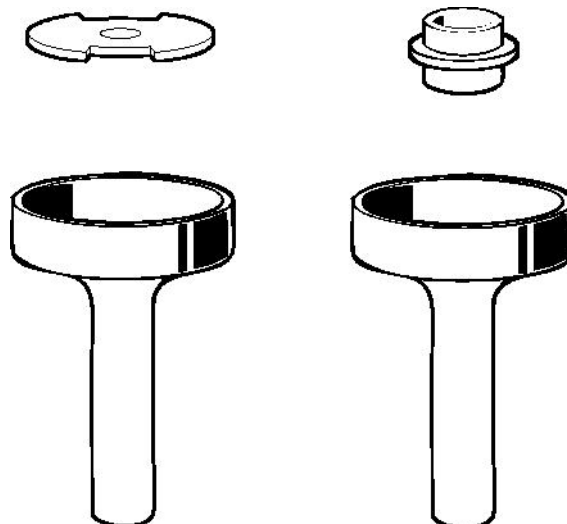
Le perforatrici con servosostegno sono dotate di spurgo ad acqua e di un robusto meccanismo di rotazione della barra spiralata. Le perforatrici con servosostegno sono dotate di boccola mandrino per codolo esagonale da 22 mm x 108 mm. Le perforatrici sono dotate di attacco per l'aria da 25 mm (1 in.) e di attacco per l'acqua da 12,5 mm (½ in.).

Per la scelta degli utensili di inserimento corretti, contattare il concessionario Atlas Copco locale.

### Principio di funzionamento della perforatrice



### Meccanismo della valvola di controllo



BBC 16W/WS

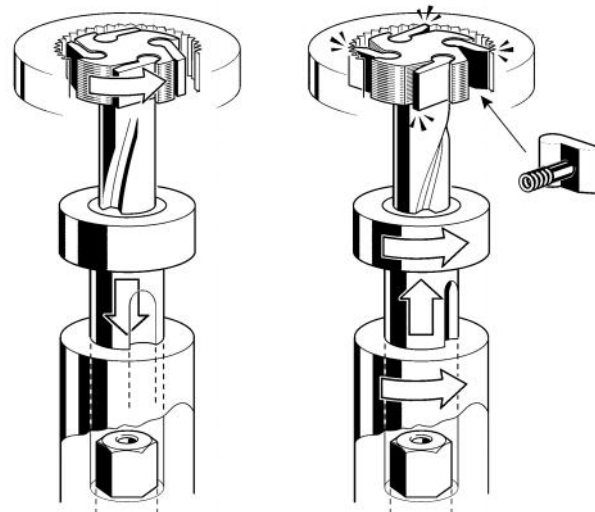
BBC 34W/WS

La leva dirige l'aria alternativamente da un lato all'altro del pistone in modo che questo si sposti verso l'alto e verso il basso. Il pistone trasmette l'energia attraverso la punta di perforazione al fondo del foro.

### Meccanismo di rotazione

Corsa di impatto

Corsa di ritorno



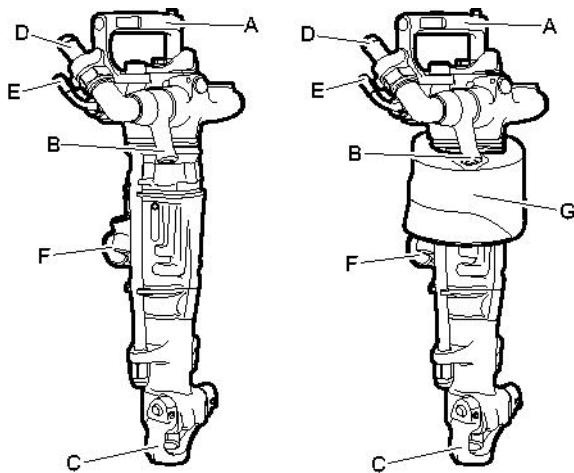
La rotazione della barra fa ruotare la punta di perforazione ad ogni colpo. La rotazione avviene in senso antiorario ed è esercitata sulla corsa di ritorno del pistone.

### Spurgo

Lo spurgo è convogliato attraverso due tubi concentrici, di cui uno esterno per l'aria e uno interno per l'acqua. Ciò significa che l'erogazione dell'aria di spurgo ha inizio non appena si attiva l'aria compressa. Lo scopo è quello di impedire che l'acqua

penetri nel meccanismo di percussione della perforatrice.

## Parti principali



BBC 16W/34W

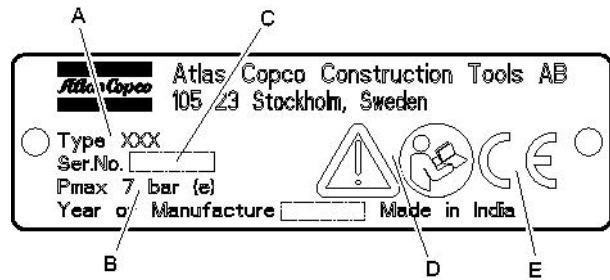
BBC 16WS/34WS

- A. Impugnatura
- B. Leva dell'acceleratore
- C. Trattenitore della punta di perforazione
- D. Nipplo di ingresso dell'aria
- E. Nipplo ingresso aria
- F. Accessorio della macchina
- G. Silenziatore

## Etichette

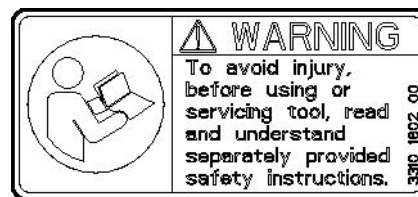
Sulla macchina sono apposte etichette contenenti informazioni importanti per la sicurezza dell'operatore e la manutenzione della macchina. Le condizioni delle etichette devono essere tali da consentirne una facile lettura. È possibile ordinare nuove etichette facendo riferimento all'elenco dei pezzi di ricambio.

## Targhetta dei dati



- A. Tipo di macchina
- B. Pressione pneumatica massima consentita
- C. Numero di serie
- D. Il simbolo di attenzione insieme al simbolo del libro indicano che occorre leggere le Istruzioni per la sicurezza e per l'uso quando ci si accinge a utilizzare la macchina per la prima volta.
- E. Il simbolo CE indica che la macchina è approvata dalla CE. Per ulteriori informazioni, consultare l'allegata dichiarazione CE. Se il simbolo CE manca, indica che la macchina non è approvata dalla CE.

## Etichetta di sicurezza



Per evitare lesioni, prima di usare o di effettuare la manutenzione su un utensile, leggere e comprendere le istruzioni di sicurezza fornite separatamente.

## Installazione

### Disimballaggio della perforatrice

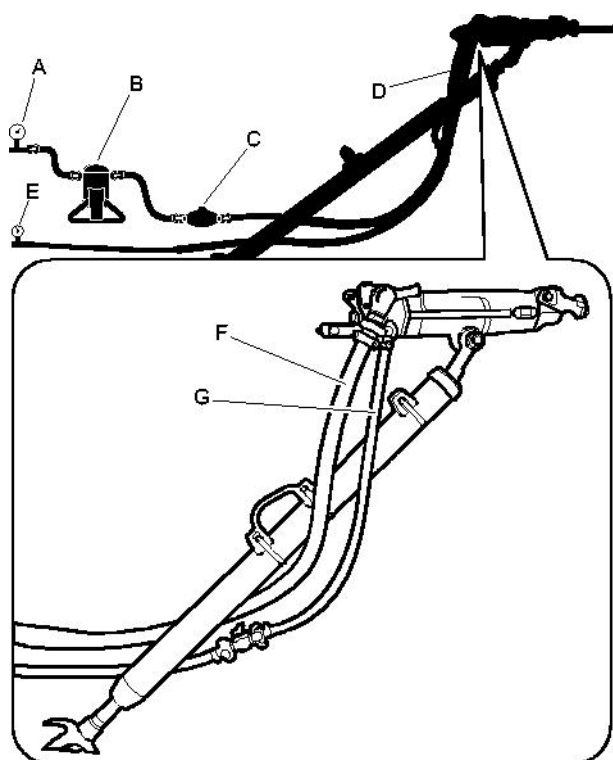
#### Ripari in plastica

Prima di utilizzare la perforatrice per la prima volta, rimuovere tutte le protezioni in plastica all'interno dei raccordi dei tubi, dei fori di aerazione e del mandrino di rotazione.

#### Lubrificare

Dopo aver sballato e installato lo strumento, versare un po' di olio lubrificante nell'attacco dell'aria.

## Tubi e collegamenti



- A. Sorgente di aria compressa
- B. Separatore di condensa, VAM 5A (opzionale)
- C. Lubrificatore, BLG 30 o CLG 30 (opzionale)
- D. Tubo dell'aria compressa lungo max. 3 metri tra il lubrificatore e la macchina.
- E. Acqua
- F. Flessibile dell'aria, macchina
- G. Flessibile dell'acqua

- ◆ Verificare che si stia usando la corretta pressione operativa raccomandata, 6 bar (e).
- ◆ La pressione massima consentita dell'aria compressa, 7 bar (e), non deve mai essere superata.
- ◆ Soffiare via eventuali impurità dal tubo dell'aria compressa prima di collegarlo alla macchina.
- ◆ Selezionare le dimensioni e la lunghezza corrette per il tubo dell'aria compressa. Per tubi di lunghezza superiore a 30 metri, usare un tubo con diametro minimo interno di 25 mm (1 in.). Se il tubo ha una lunghezza tra i 30 e i 100 metri, usare un tubo con diametro interno minimo di 50 mm (2 in.).

## Misure antigelo

La formazione di ghiaccio nel silenziatore si può verificare quando la temperatura ambiente è di 0–10°C (32–50 °F) e l'umidità relativa è alta.

La macchina è stata progettata in maniera tale da evitare la formazione di ghiaccio nel silenziatore. Malgrado ciò, in condizioni estreme è possibile che ciò accada.

Adottare le seguenti misure per evitare il rischio di formazione di ghiaccio:

- ◆ Usare il lubrificante Atlas Copco Rock Drill AIR-OIL.
- ◆ Usare un separatore di condensa VAM 5A.

Se la perforatrice gela, non scaldarla mai per sciogliere il ghiaccio. Lasciar sempre sciogliere il ghiaccio a temperatura ambiente.

Non versare mai alcol denaturato o sostanze simili nella perforatrice, in quanto interferiscono con la lubrificazione e danno luogo a una maggiore usura.

## Collegamento del separatore di condensa

Tra il compressore e il separatore di condensa utilizzare un tubo che abbia una lunghezza sufficiente a garantire che il vapore acqueo si raffreddi e si condensi nel tubo prima di raggiungere il separatore.

Se la temperatura ambiente è inferiore a 0°C (32°F), il tubo deve essere sufficientemente corto per evitare il rischio di formazione di ghiaccio prima che l'acqua raggiunga il separatore di condensa.

## Lubrificazione

La perforatrice viene lubrificata con olio miscelato ad aria compressa, che raggiunge le parti che necessitano di lubrificazione continua. L'olio viene misurato per la miscelazione con l'aria compressa mediante un lubrificatore BLG 30 o CLG 30 Atlas Copco collegato al tubo dell'aria.

Usare AIR-OIL di Atlas Copco appositamente realizzato per perforatrici pneumatiche BBC, BBD e RH. L'AIR-OIL per perforatrici è subito biodegradabile ai sensi di OECD 301 e ha una resistenza del film in grado di resistere a carichi pesanti. Se l'AIR-OIL per perforatrice non è disponibile usare un olio per utensili pneumatici a base minerale con le proprietà raccomandate nella tabella seguente.



Intervallo di temperatura (°C)	Grado di viscosità (ISO 3448)
da -30 a 0	ISO VG 32-68
da -10 a +20	ISO VG 68-100
da +10 a +50	ISO VG 100-150

## Regolazione di pressione

### Pressione dell'aria

Accertarsi che il compressore sia in grado di erogare alla macchina l'aria richiesta ad una pressione di 4-6 bar.

1. Una pressione alta incide negativamente sul funzionamento e provoca usura eccessiva.
2. Una pressione bassa rallenta la velocità di perforazione.

### Calibrare l'esatta pressione

Usare l'indicatore di pressione Atlas Copco (**9090 0550 80**) per verificare la pressione dell'aria durante il funzionamento della perforatrice. La pressione va misurata vicino al nipplo di ingresso. La pressione di esercizio consigliata è di 6 bar.



Il manometro è dotato di un ago che viene inserito nel tubo per misurarne la pressione interna.

### Pressione dell'acqua

La pressione dell'acqua deve essere inferiore alla pressione dell'aria di almeno 1 bar per non rischiare che l'acqua entri nel meccanismo di impatto. Ad esempio, se la pressione dell'aria è pari a 6 bar, la pressione dell'acqua deve essere al di sotto dei 5 bar per impedire che l'acqua entri nel meccanismo di impatto.

## Punta di perforazione

### ▲ AVVERTENZA Espulsione dell'utensile di inserimento

Qualora il trattenitore dell'utensile sulla macchina non sia bloccato, l'utensile inserito può essere espulso con forza provocando lesioni personali.

- Prima di cambiare l'utensile di inserimento, spegnere sempre la macchina, disinserire l'alimentazione dell'aria compressa e spurgare la macchina premendo il dispositivo di avviamento e arresto.

### Prima del montaggio della punta di perforazione

Accertare che la bussola dell'utensile sia della misura e lunghezza corretta per il mandrino utilizzato. La bussola deve essere pulita e l'utensile in buone condizioni. Le bussole scheggiate, arrotondate, scentrate o troppo strette sull'estremità di battuta funzioneranno in modo inefficiente e causeranno guasti prematuri al pistone.

Ispezionare la punta di perforazione:

Una punta smussata rallenta la velocità di perforazione e sottopone il meccanismo della perforatrice a sforzo eccessivo. Alla sostituzione della punta accertarsi che la nuova punta sia della misura adatta al foro eseguito in precedenza.

Prima di perforare, verificare che il foro di spurgo nella punta di perforazione non sia otturato.

### ▲ ATTENZIONE Utensile di inserimento caldo

La punta dell'utensile di inserimento potrebbe riscaldarsi e potrebbe affilarsi quando viene utilizzata. Il contatto con la punta può causare ustioni e tagli.

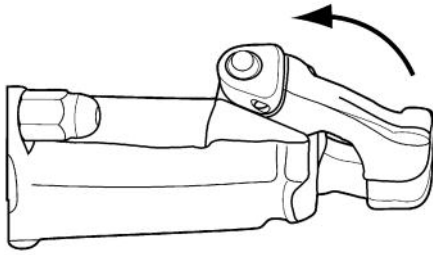
- Non toccare mai un utensile di inserimento quando è caldo o tagliente.
- Attendere che l'utensile di inserimento si sia raffreddato prima di eseguire qualsiasi intervento di manutenzione.

**AVVISO** Non raffreddare mai un utensile di inserimento caldo in acqua, potrebbe derivarne fragilità e rottura precoce.

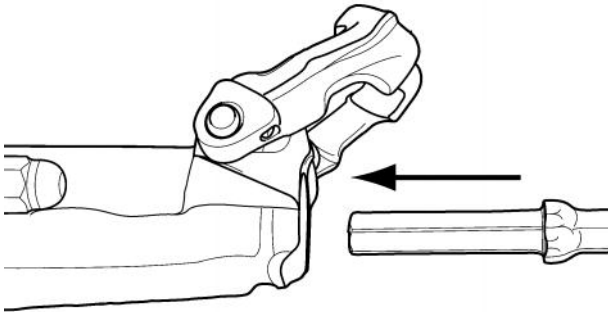
### Montaggio della punta di perforazione

Attenersi alle istruzioni indicate di seguito per il montaggio della punta di perforazione:

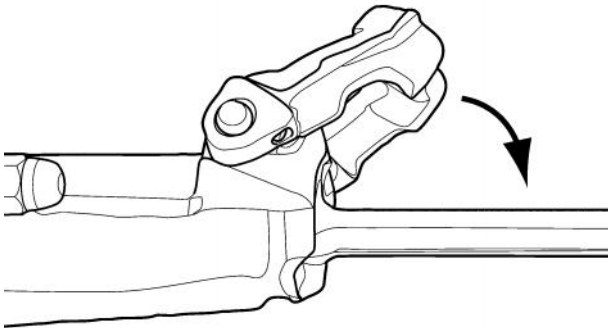
1. Spingere il trattenitore verso l'esterno nella direzione della freccia fino a quando la sua parte anteriore non riesce ad ospitare il collarino della punta di perforazione.



2. Inserire la punta di perforazione nel mandrino.



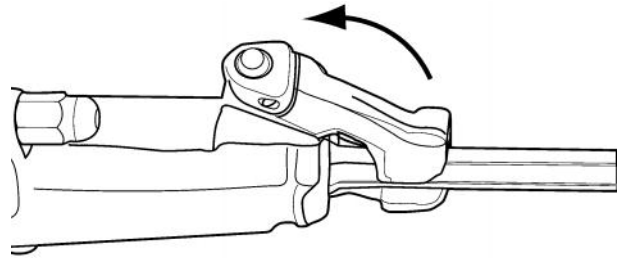
3. Quando la punta arriva al fondo, spingere indietro il trattenitore per bloccarla.



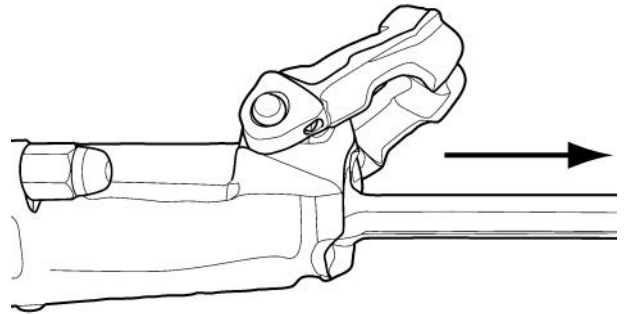
### Smontaggio della punta di perforazione

Attenersi alle istruzioni indicate di seguito per la rimozione della punta di perforazione:

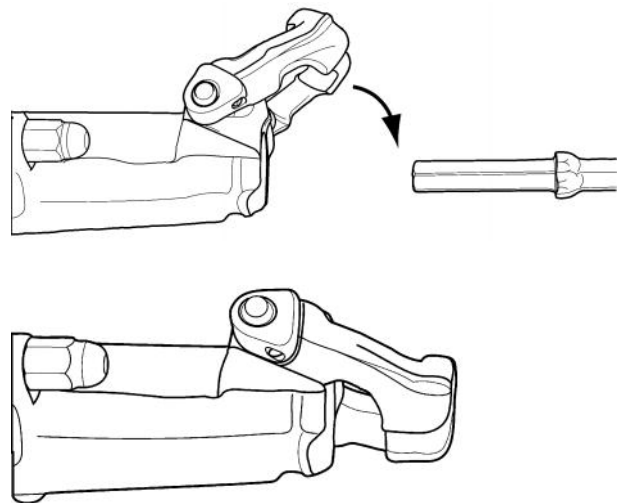
1. Spingere il trattenitore verso l'esterno nella direzione della freccia fino a quando il collarino della punta di perforazione non si disimpegna dalla parte anteriore del trattenitore stesso.



2. Estrarre la punta di perforazione.



3. Spingere indietro il trattenitore.



## Funzionamento

### ▲ AVVERTENZA Avviamento accidentale

L'avviamento accidentale della macchina può provocare gravi lesioni personali.

- ▶ Tenere lontane le mani dal dispositivo di avviamento ed arresto fino a quando l'operatore non è pronto ad avviare la macchina.
- ▶ Imparare come fermare la macchina in caso di emergenza.
- ▶ Arrestare immediatamente la macchina in caso di interruzione di corrente.

## Preparativi prima dell'accensione

### Controllare le attrezzature di perforazione

- ◆ Controllare che l'intera attrezzatura di perforazione sia in buono stato operativo.
- ◆ Controllare che la superficie d'impatto della bussola della punta sia piana e non presenti segni di usura.
- ◆ Accertarsi che non vi siano ostruzioni sull'ingresso dell'aria e sulle porte di scarico.
- ◆ Controllare che i fori di spurgo del fioretto e della punta non siano bloccati e che l'aria/acqua di spurgo possa fuoriuscire senza ostacoli.
- ◆ Accertarsi che il filtro dell'aria (ubicato nel nipplo dell'aria) sia pulito e che non presenti strappi o distorsioni.
- ◆ Accertarsi che le giunzioni siano ben serrate e che non presentino perdite.

### ▲ PERICOLO Colpo di frusta del tubo dell'aria

Un tubo ad aria compressa che si scollega può avere dei movimenti sferzanti e causare lesioni personali o la morte.

- ▶ Verificare che il tubo flessibile e i collegamenti per l'aria compressa non siano danneggiati.
- ▶ Verificare che tutti i collegamenti per l'aria compressa siano corretti.

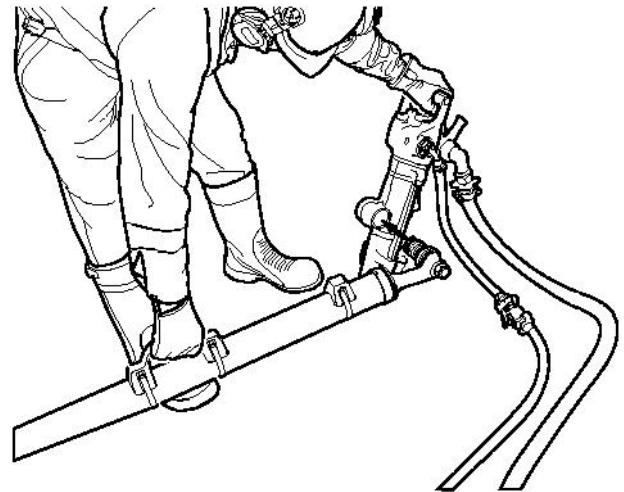
### Spurgare il flessibile per l'aria

- ◆ Spurgare quotidianamente prima dell'uso il flessibile per l'aria in modo da rimuovere lo sporco accumulato e l'umidità.

### Riempire di olio l'oliatore

- ◆ Accertarsi che il mandrino e la bussola del fioretto siano sempre ricoperti da una pellicola d'olio.

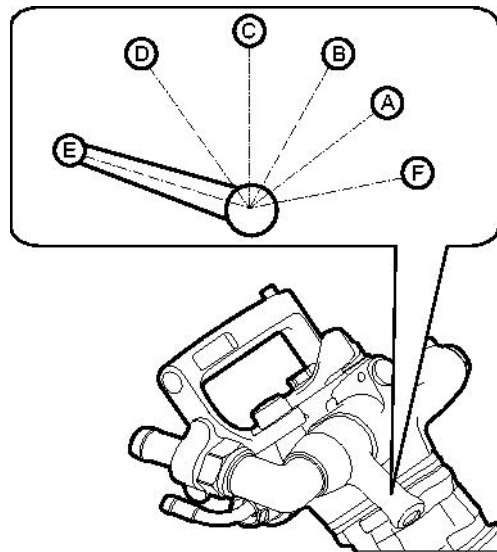
## Collegamento del servosostegno alla perforatrice



Il servosostegno deve essere fissato alla perforatrice per mezzo di un innesto a baionetta.

## Controlli

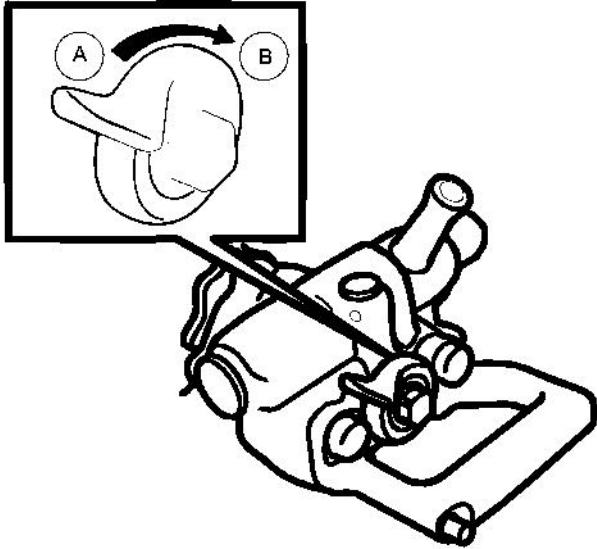
### Leva dell'acceleratore



La perforatrice è dotata di una leva di azionamento che invia l'aria compressa al meccanismo di percussione oltre a regolare l'acqua di spurgo.

- A. Valvola di regolazione chiusa (posizione di arresto). Solo pulizia ad aria.
- B. Aria inviata al servosostegno.
- C. Acqua di spurgo.
- D. Aria inviata al meccanismo di percussione.
- E. Leva del regolatore completamente aperta (valvola a farfalla aperta).
- F. Aria supplementare.

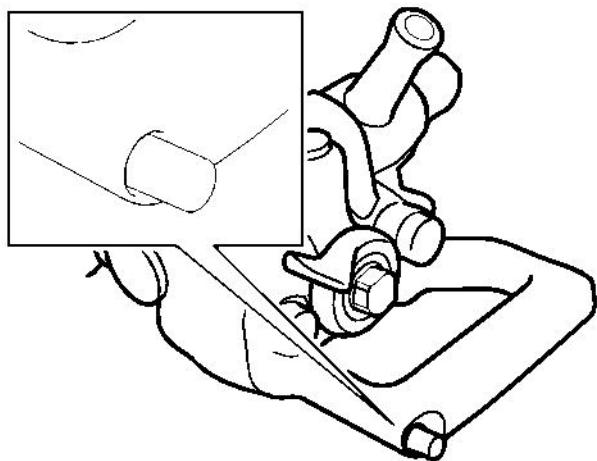
### Leva di comando alimentazione



Regolare la forza di alimentazione usando la leva di controllo alimentazione nel modo seguente:

- ◆ Ruotare la leva in senso orario (B) per aumentare la forza di alimentazione.
- ◆ Ruotare la leva di controllo alimentazione in senso antiorario (A) per diminuire la forza di alimentazione
- ◆ Quando la leva di comando alimentazione si trova nella posizione di chiusura (A), il servosostegno viene spurgato.

### Pulsante azionamento servosostegno

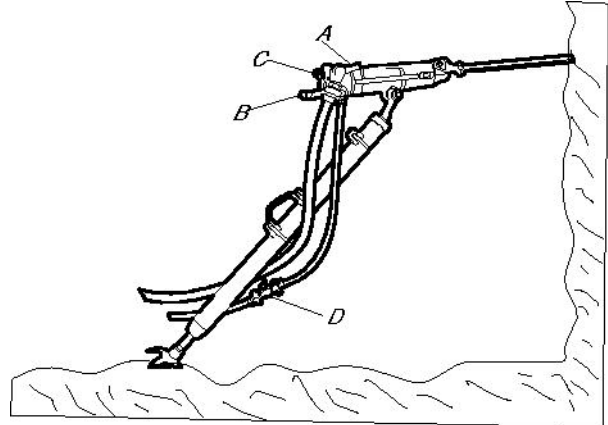


Quando il pulsante della valvola viene spinto all'interno, la forza di alimentazione si interrompe all'istante, escludendo così l'impostazione sulla leva di controllo alimentazione. L'asta del pistone all'interno del servosostegno si ritrae automaticamente. Questa funzione si usa, ad es., per regolare l'altezza della perforatrice, nell'allestimento del servosostegno o in presenza di una tendenza all'inzeppamento. Quando il pulsante

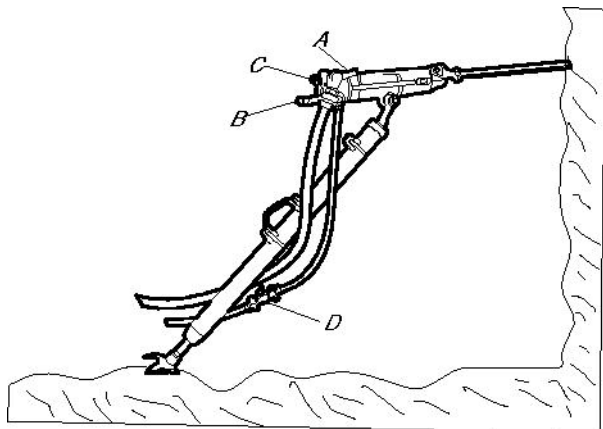
della valvola è premuto, la leva di controllo alimentazione viene nuovamente attivata.

## Avviamento e arresto

### Avvio della perforatrice



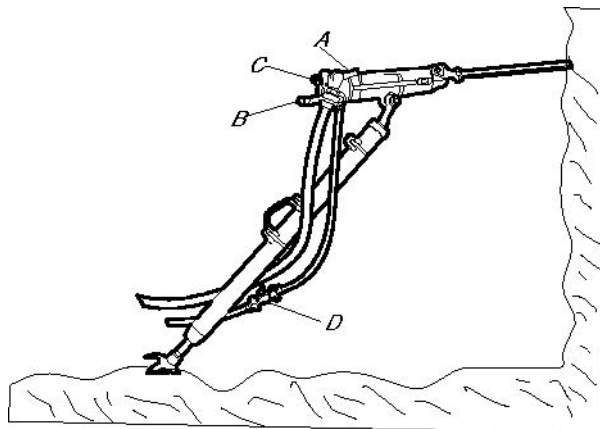
1. Aprire la leva principale dell'aria compressa.
2. Aprire il rubinetto (D) per l'acqua di spurgo.
3. Regolare la leva di controllo alimentazione (C) affinché la forza di alimentazione sia adatta a realizzare la bocca del foro.
4. Allineare la perforatrice in modo che la punta di perforazione tocchi il punto dell'imboccatura richiesto.
5. Spostare leggermente in avanti la leva del gas (A), per avviare lo spurgo di acqua, la percussione e la rotazione.
6. Realizzare la bocca del foro con una forza di alimentazione ridotta.
7. Spostare la leva del gas (A) completamente in avanti non appena la punta di perforazione ha iniziato a perforare nettamente la roccia.
8. Regolare la forza di alimentazione per mezzo della leva di controllo alimentazione (C) in modo da ottenere la velocità di penetrazione minima.

**Arresto della perforatrice**

1. Spingere indietro la leva del gas (A), per arrestare la percussione, la rotazione e l'acqua di spurgo.
2. Portare la leva di controllo alimentazione (C) sulla posizione di chiusura.

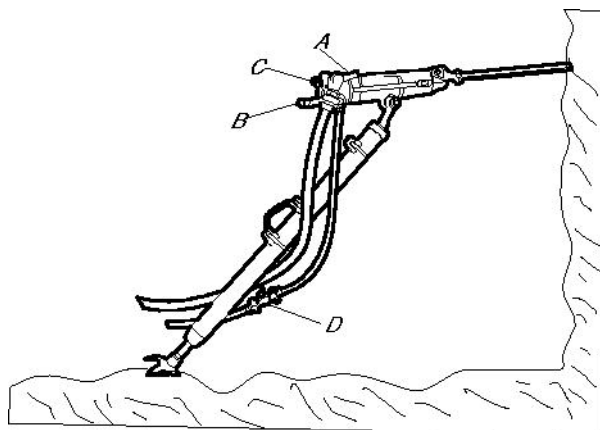
**Condizioni di esercizio****Perforazione**

- ◆ Indossare sempre calzature protettive, guanti, casco, protezioni per l'udito e protezione per gli occhi resistenti agli impatti con protezione laterale.
- ◆ Afferrare saldamente la macchina con entrambe le mani.
- ◆ Puntare bene l'utensile sulla superficie di lavoro prima dell'avvio della macchina.

**Riposizionamento del servosostegno**

1. Arrestare la percussione della perforatrice e lo spurgo per mezzo della leva del gas (A).
2. Premere il pulsante della valvola (B), dopodiché l'asta del pistone rientra automaticamente nel cilindro del servosostegno.
3. Riposizionare il servosostegno.
4. Rilasciare il pulsante della valvola (B) in modo che l'asta del pistone fuoriesca nuovamente.
5. Spostare la leva del gas (A) in avanti in posizione operativa.

Non occorre toccare la leva di controllo alimentazione (C) durante questa operazione.

**Pulizia del foro con aria compressa**

Se è richiesta la pulizia del foro con aria compressa:

- 1) Ruotare completamente indietro la leva del gas (A) oltre la posizione di arresto fino alla posizione per l'aria supplementare (vedere "Controlli"), in questo modo la perforatrice si arresta. Questa operazione può essere compiuta durante la perforazione.
- 2) Quando il foro è pulito, riportare la leva (A) in avanti e la perforatrice si riavvierà.

## Durante le pause della lavorazione

- ◆ Appoggiare la perforatrice su una pietra, una tavola di legno o un oggetto simile in modo da impedire che trucioli e altro materiale estraneo entrino nel mandrino.
- ◆ Interrompere la pressione dell'acqua prima della pressione dell'aria. Dopo aver arrestato l'alimentazione idrica, lasciare funzionare la perforatrice per alcuni secondi per eliminare acqua e umidità.



Le parti della perforatrice riportano solitamente sia la marcatura del numero della parte sia la marcatura di identificazione di Atlas Copco, ovvero un cerchio che racchiude una perforatrice. In alcuni casi la parte riporta soltanto il cerchio o il codice.

Le parti in gomma e le parti in plastica solitamente non sono marcate.

I concorrenti che copiano le nostre parti spesso marcano soltanto le parti più importanti e costose. Alcune parti riportano soltanto il codice della parte, mentre altre hanno anche una marcatura di identificazione sotto forma delle iniziali del nome del produttore. I codici sulle parti non originali vengono solitamente stampigliati a mano, producendo irregolarità. I numeri delle parti stampigliati da Atlas Copco sono regolari e le cifre hanno tutte le stesse dimensioni. Inoltre, la profondità delle cifre e la spaziatura tra di esse sono le stesse in ogni gruppo.

## Manutenzione

La manutenzione regolare è un requisito di base perché l'uso dell'utensile continui ad essere sicuro ed efficiente. Seguire attentamente le istruzioni per la manutenzione.

- ◆ Prima di iniziare la manutenzione sulla macchina, pulirla per evitare l'esposizione a sostanze pericolose. Vedere "Rischi correlati alla polvere e ai fumi"
- ◆ Utilizzare esclusivamente ricambi originali. Eventuali danni o guasti dovuti dall'uso di ricambi non originali non sono coperti da Garanzia o Responsabilità sul Prodotto.
- ◆ In caso di pulizia delle parti meccaniche con un solvente, rispettare tutte le norme di sicurezza vigenti e accertarsi che vi sia una ventilazione adeguata.
- ◆ Per la manutenzione completa della macchina, rivolgersi al proprio centro di assistenza autorizzato.
- ◆ Dopo ogni intervento, controllare che il livello di vibrazione della macchina sia normale. In caso contrario, contattare l'officina autorizzata di zona per ulteriori istruzioni.

## Differenza tra parti originali e parti non originali

Al momento di acquistare un ricambio, la prima cosa da fare è verificare che il ricambio sia originale Atlas Copco. Le parti sono quasi sempre identificabili.

## Giornaliera

Prima di accingersi alla manutenzione o alla sostituzione dell'utensile di inserimento su macchine pneumatiche, disinserire sempre l'alimentazione dell'olio e spurgare la macchina premendo il dispositivo di avviamento e arresto, scollegare quindi il tubo flessibile pneumatico dalla macchina.

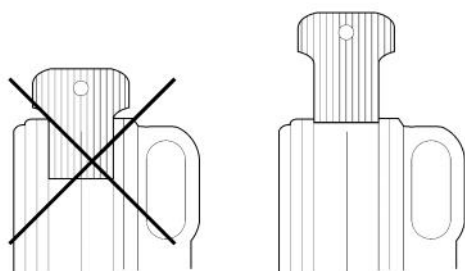
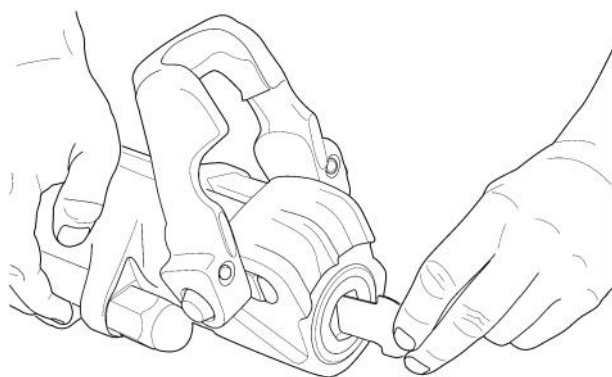
- ◆ Pulire ed ispezionare la macchina e le sue funzioni ogni giorno prima di iniziare il lavoro.
- ◆ Eseguire un'ispezione generale per verificare che non vi siano perdite o danni.
- ◆ Controllare che il nipplo dell'aria in ingresso sia serrato e che il raccordo a baionetta non sia danneggiato.
- ◆ Verificare il funzionamento dell'acceleratore. Controllare che si muova liberamente su e giù.
- ◆ Verificare il funzionamento del trattenitore. Accertarsi che blocchi la punta di perforazione.
- ◆ Sostituire immediatamente i pezzi danneggiati.
- ◆ Sostituire tempestivamente i componenti usurati.
- ◆ Controllare i bulloni passanti della macchina. Accertarsi che siano serrati.

- ◆ Se la macchina è dotata di un silenziatore, controllare il danno.

## Controllo dell'usura

1. Controllare l'usura nella boccola del mandrino usando il calibro Atlas Copco (3091 0038 00) (22 mm).

Se il limite di usura è stato superato, il codolo della punta di perforazione si userà più rapidamente o si deformerà. Questo provocherà inceppamenti e un maggiore consumo della perforatrice.



2. Controllare che i bulloni laterali (A) siano ben serrati. Serrare ad una coppia di 130 Nm.



3. Verificare il collegamento della perforatrice al servosostegno.

4. Controllare tubi, innesti e controlli non presentino perdite o danni.
5. Verificare che la perforatrice e il servosostegno siano stati lubrificati a sufficienza. Se necessario, rabboccare l'oliatore.
6. Spurgare il separatore d'acqua.
7. Controllare la pressione di aria e acqua. Accertare che la pressione dell'acqua sia inferiore alla pressione dell'aria di almeno 1 bar.

## Manutenzione periodica

Dopo un periodo d'uso di circa 100 ore di esercizio o tre volte all'anno, smontare la macchina e pulirne e controllarne tutti i componenti. Questo lavoro deve essere eseguito da personale autorizzato, addestrato a questo compito.

## Modalità di danneggiamento

Ispezionare sempre con attenzione i pezzi usurati o danneggiati prima di sostituirli. Essi possono infatti fornire importanti informazioni sulle condizioni della perforatrice e sul modo in cui viene usata e sottoposta a manutenzione.

Problema	Causa
I pezzi in acciaio hanno un colore bluastro	I pezzi sono stati esposti a calore eccessivo. Ciò può essere dovuto a lubrificazione insufficiente o funzionamento al minimo
I pezzi in acciaio presentano delle fessurazioni quasi microscopiche sulle superfici usurabili	Vedere sopra
Cavità irregolari sulla superficie dei pezzi in bronzo	Vedere sopra
Segni di taglio	Danno secondario Sporco all'interno della perforatrice
	Disallineamento interno causato da un errato serraggio dei bulloni laterali

## Immazzinamento

- Oliare bene la perforatrice prima di riporla.
- Riporre sempre la macchina in un luogo pulito e asciutto.
- Accertarsi che nella macchina non possa entrare materiale estraneo.

- Proteggere il mandrino con il tappo in plastica fornito con la macchina. In alternativa, utilizzare un tappo di legno o un panno di cotone.
- In caso di conservazione della macchina per un lungo periodo di tempo, versare un po' d'olio direttamente nell'ingresso dell'aria della perforatrice e azionare brevemente l'aria. Ciò proteggerà la macchina dalla corrosione.

## Smaltimento

Una macchina usurata si deve trattare e smaltire in maniera tale che la maggior parte possibile di materiale possa essere riciclata e che eventuali influenze negative sull'ambiente vengano ridotte al minimo anche nel rispetto delle limitazioni locali.



## Dati tecnici

### Ricerca dei guasti

Problema	Causa	Soluzione
Ridotta velocità di perforazione	Perdita d'aria nei flessibili o negli innesti	Cambiare le tenute e, se necessario, cambiare i pezzi della leva di regolazione penetrazione
	Perdita della leva principale (valvola solenoide flipper)	Molare la valvola principale in modo che la tenuta sia adeguata
	Boccola mandrino di rotazione	Controllare l'eventuale usura eccessiva della boccola del mandrino di rotazione <sup>1</sup> con il calibro. Il limite di usura consentito è raggiunto quando è possibile spingere la dima tra i lati opposti del foro esagonale al punto che le spalle di questa entrino in contatto con la boccola
Forza di alimentazione insufficiente	Perdita d'aria a causa di pistone/cilindro usurato	Sostituire il pistone e/o il cilindro
	Perdita d'aria a causa di pezzo intermedio/guida pilota usurati	Sostituire il pezzo usurato.
	Formazione di ghiaccio nel silenziatore	Lasciar sciogliere il ghiaccio a temperatura ambiente
Rotazione insufficiente	Guarnizione dello stelo del pistone usurata o deformata	Sostituire la tenuta
	Scanalature del dado scorrevole usurate	Sostituire il dado scorrevole se le scanalature sono usurate
	Scanalature della barra di rotazione usurate	Sostituire la barra di rotazione se necessario
	Scanalature del pistone usurate	Sostituire il pistone se necessario
	Denti del rocchetto di rotazione	Sostituire il rocchetto di rotazione qualora i nottolini usurati non facciano più presa
	Denti del rocchetto di rotazione	Sostituire il rocchetto di rotazione qualora i nottolini usurati non facciano più presa
	Dado del mandrino usurato	Sostituire il dado del mandrino se le scanalature sono usurate fino a ½ della larghezza della scanalatura
Funzionamento irregolare	Nottolini usurati	Sostituire tutti i nottolini, tutte le molle e tutti gli spinotti
	Il pistone si è bloccato nel componente intermedio o nella guida	Sostituire il componente intermedio/guida del pistone. Se necessario, lucidare il pistone. Controllare che il pistone non presenti danni da calore quali colorazione blu e/o fessurazioni. Se danneggiato in questo modo, sostituire anche il pistone
Funzionamento irregolare (cont.)	Valvola principale sporca o danneggiata. Dovuto all'entrata nella perforatrice di impurità o oggetti estranei con l'aria compressa	Pulire e lucidare la valvola in modo che sia a tenuta con la superficie cilindrica e piana. Se questo è reso impossibile dalla gravità dei difetti occorre sostituire la leva
	Congelamento. Dovuto a perdita nel sistema di spurgo o da eccessiva acqua nell'aria compressa o da pressione dell'acqua troppo elevata <sup>2</sup>	Controllare i tubi di spurgo e le tenute e la pressione dell'acqua <sup>2</sup> . Drenare l'acqua dal sistema dell'aria compressa. Se il problema persiste installare un separatore dell'acqua nel sistema dei tubi dell'aria.
Usura anomala della boccola del mandrino di rotazione	I bulloni laterali sono serrati in modo diverso o insufficiente. Può causare il disallineamento delle varie parti, con conseguente grippaggio delle parti in movimento. Le sollecitazioni anomale dei bulloni laterali possono dare luogo a fratture dei filetti.	Controllare e riparare eventuali danni ai punti di contatto e serrare i bulloni alla coppia di serraggio corretta
Il perforatore si scalda	Lubrificazione insufficiente (può provocare eventuali danni secondari)	Controllare la boccola del mandrino con l'apposito calibro <sup>1</sup> . Il limite massimo di usura è stato raggiunto quando il calibro <sup>1</sup> , inserito tra due superfici piate opposte, tocca il fondo. Controllare la pressione dell'acqua <sup>2</sup> - deve essere più bassa della pressione dell'aria <sup>2</sup> .
Congelamento	Olio insufficiente	Aggiungere olio e verificarne la circolazione. La presenza di olio nell'aria di scarico non è sufficiente. Deve esserci anche uno strato di olio sulla bussola del fioretto. Controllare che il lubrificatore sia collegato in direzione corretta.
	Umidità nell'aria compressa	Usare separatori d'acqua

Problema	Causa	Soluzione
	Pressione dell'acqua più alta della <sup>2</sup> pressione dell'aria	Diminuire la pressione dell'acqua
Rottura di un tubo dell'acqua	Disallineamento della bussola	Sostituire il fioretto o la boccola del mandrino o entrambi
	Foro di spurgo della bussola danneggiato	Sostituire il fioretto
Scheggiatura della punta del pistone	Disallineamento della bussola	Sostituire il fioretto o la boccola del mandrino o entrambi
	Eccessiva usura della punta del pistone	Sostituire il pistone
Rottura delle scanalature	Lubrificazione insufficiente	Diminuire la pressione dell'acqua <sup>2</sup> qualora sia uguale o maggiore alla pressione dell'aria
		Aumentare la lubrificazione o cambiare l'olio
	Ingresso di sporco (specialmente in caso di perforazione verso l'alto)	Aumentare la regolarità della manutenzione
Rottura del pistone	Lubrificazione insufficiente	Diminuire la pressione dell'acqua qualora sia uguale o maggiore alla pressione dell'aria
		Aumentare la lubrificazione o cambiare l'olio
	Tensione dei bulloni laterali diseguale	Serrare i bulloni nel modo corretto
	Componente intermedio/guida del pistone usurati (possibilità di conferma con test di insonorizzazione)	Sostituire il pezzo parte
Rottura di un bullone laterale	Tensione dei bulloni diseguale	Serrare i bulloni nel modo corretto

<sup>1</sup>Calibro per la boccola del mandrino esagonale 22 mm ( 7/8") Atlas Copco no. **3091 0038 00**.

<sup>2</sup> Usare l'indicatore di pressione Atlas Copco no. **9090 0550 80** per misurare la pressione dell'acqua e dell'aria.

## Dati della macchina

Tipo	Codice	Alesaggio pistone mm (in.)	Lunghezza corsa mm (in.)	Lunghezza complessiva mm (in.)	Peso kg (lb)	Dimensioni della bussola mm (in.)
BBC 16W	8311 0401 10	70 (2¾)	55 (2½)	710 (28)	26.0 (57.3)	22 X 108 (7/8 x 4¼)
BBC 16WS	8311 0303 46	70 (2¾)	55 (2½)	710 (28)	27.0 (59.5)	22 X 108 (7/8 x 4¼)
BBC 34W	8311 0408 05	80 (3½)	70 (2¾)	775 (30½)	31.0 (68.3)	22 X 108 (7/8 x 4¼)
BBC 34WS	8311 0303 47	80 (3½)	70 (2¾)	775 (30½)	32.0 (70.5)	22 X 108 (7/8 x 4¼)

Tipo	Fabbisogno di aria (6 bar) l/s (foot <sup>3</sup> /min)	Frequenza d'urto (6 bar) Hz	Diametro del foro mm (in.)	Diametro del foro alesatore mm (in.)
BBC 16W	69 (146)	39	27-41 (1-1.6)	≤76 (≤3)
BBC 16WS	69 (146)	39	27-41 (1-1.6)	≤76 (≤3)
BBC 34W	88 (186)	38	27-41 (1-1.6)	≤76 (≤3)
BBC 34WS	88 (186)	38	27-41 (1-1.6)	≤76 (≤3)

## Dichiarazione in materia di rumore e vibrazioni

Livello di potenza acustica garantito **L<sub>w</sub>** conforme ISO 3744 ai sensi della direttiva 2000/14/CE.

Livello pressione sonora **L<sub>p</sub>** ai sensi ISO 11203.

Valore vibrazioni **A** e incertezza **B** determinata secondo ISO 5349-2. Vedere la tabella "Dati di rumore e vibrazioni" per i valori di A, B, ecc.

I valori qui dichiarati sono stati ottenuti mediante test di laboratorio conformi alla direttiva o agli standard indicati e non sono idonei per confronto con i valori dichiarati di altri utensili testati sulla base della stessa direttiva o standard. Tali valori dichiarati non sono adeguati all'uso nelle valutazioni dei rischi e i valori misurati nei singoli luoghi di lavoro possono essere maggiori. I valori di esposizione e i rischi effettivi per ciascun singolo operatore sono unici e dipendono dalle modalità di lavoro dell'operatore, dal materiale con il quale si utilizza la macchina, oltre che dal tempo di esposizione, dalle condizioni fisiche dell'operatore e dalle condizioni della macchina.

Atlas Copco Construction Tools AB non può essere ritenuta responsabile delle conseguenze dell'utilizzo dei valori dichiarati - invece dei valori che riflettono l'esposizione effettiva - nella singola valutazione dei rischi di uno specifico posto di lavoro, sul quale Atlas Copco Construction Tools AB non ha controllo.

Questo utensile può causare una sindrome da vibrazioni mano-braccio se non utilizzato nella maniera idonea. Una guida EU per la gestione delle vibrazioni mano-braccio è reperibile all'indirizzo <http://www.humanvibration.com/EU/VIBGUIDE.htm>

Raccomandiamo un programma di sorveglianza sanitaria per rilevare sintomi precoci che possano essere correlati con l'esposizione alle vibrazioni, in maniera tale che le procedure di gestione possano essere modificate per aiutare a prevenire invalidità future.

## Dati su rumore e vibrazioni

Tipo	Rumore		Vibrazioni	
	Valori dichiarati		Valori dichiarati	
	Pressione sonora	Potenza suono	Valori tre assi	
	ISO 11203	ISO 15744	ISO 5349-2	
	L <sub>p</sub> r=1m dB(A) rel 20µPa	L <sub>w</sub> garantiti dB(A) rel 1pW	A media m/s <sup>2</sup> valore	B media m/s <sup>2</sup>
BBC 16W	111	122	16.6	-
BBC 16WS	103	114	16.6	-
BBC 34W	116	127	20.4	-
BBC 34WS	109	120	20.4	-

## Accessori

Descrizione	Note	Quantità	Codice
CLG 30, tipo europeo	Sia per olio minerale che sintetico	1	8202 5102 39
BLG 30, tipo europeo	Per olio minerale	1	8202 5102 05
VAM 5A, tipo europeo	Flusso d'aria <120 l/s (254 ft <sup>3</sup> /min)	1	8092 0110 82
Tube in gomma, premontato	25 mm (1 in.), 3 m (10 ft)	1	9030 2051 00
Tube piatto X-LITE, universale	25 mm (1 in.), 20 m (65 ft)	1	9030 2111 00
Rock Drill AIR-OIL	10 l	1	8099 0201 10
Rock Drill AIR-OIL	208 l	1	8099 0201 28

## Servosostegni

Tipo	Codice	Indicato per perforatrice	Lunghezza avanzamento mm	Lunghezza retratta mm	Lunghezza in estensione mm	Peso kg	Alesaggio pistone mm
<b>Telescopio singolo</b>							
BMT 51	8321 0301 01	BBC 16W/WS, BBC 34W/WS	1300	1658	2958	15	60
ALF 71	8321 0201 94	BBC 16W/WS, BBC 34W/WS	1300	1805	3105	14	70
ALF 71-1	8321 0201 95	BBC 16W/WS, BBC 34W/WS	950	1455	2405	13	70
<b>Telescopio doppio</b>							
ALF 67/80	8321 0201 85	BBC 16W/WS, BBC 34W/WS	1855	1495	3350	17	67/80

## Dichiarazione di conformità CE

### Dichiarazione di conformità CE (Direttiva CE 2006/42/CE)

Atlas Copco Construction Tools AB, con il presente documento dichiara che i macchinari elencati di seguito sono conformi ai requisiti specificati dalle Direttive CE 2006/42/CE (Direttiva macchine), nonché agli standard armonizzati specificati di seguito.

Perforatrici con servostegno	Codice	Pmax (bar)
BBC 16W	8311 0401 10	7
BBC 16WS	8311 0303 46	7
BBC 34W	8311 0408 05	7
BBC 34WS	8311 0303 47	7

#### Rappresentante autorizzato Documentazione Tecnica:

Erik Sigfridsson

Atlas Copco Construction Tools AB

Dragonvägen 2

Kalmar

#### Direttore Generale:

Erik Sigfridsson

#### Produttore:

Atlas Copco Construction Tools AB

105 23 Stockholm

Sweden

#### Luogo e data:

Kalmar, 2010-01-01

## SVENSKA

## Innehåll

Inledning.....	161
Om säkerhetsinstruktionen och bruksanvisningen.....	161
<b>Säkerhetsinstruktioner.....</b>	<b>162</b>
<b>Säkerhetssymboler.....</b>	<b>162</b>
<b>Personliga försiktighetsåtgärder och utbildning.....</b>	<b>162</b>
Personlig skyddsutrustning.....	162
Droger, alkohol eller läkemedel.....	162
<b>Installation, säkerhetsåtgärder.....</b>	<b>162</b>
<b>Drift, säkerhetsåtgärder.....</b>	<b>163</b>
<b>Underhåll, säkerhetsåtgärder.....</b>	<b>166</b>
<b>Förvaring, säkerhetsåtgärder.....</b>	<b>167</b>
<b>Översikt.....</b>	<b>168</b>
<b>Konstruktion och användningsområde.....</b>	<b>168</b>
Arbetsprincipen för en bergbormaskin.....	168
Styrventilsmekanism.....	168
Rotationsmekanism.....	168
Spolning.....	168
<b>Maskinens huvuddelar.....</b>	<b>169</b>
<b>Dekaler.....</b>	<b>169</b>
Typskylt.....	169
Säkerhetsdekal.....	169
<b>Installation.....</b>	<b>169</b>
<b>Uppackning av bergbormaskinen.....</b>	<b>169</b>
Plastskydd.....	169
Smörjning.....	169
<b>Slangar och anslutningar.....</b>	<b>170</b>
<b>Åtgärder för att förhindra frysning.....</b>	<b>170</b>
<b>Ansluta en vattenavskiljare.....</b>	<b>170</b>
<b>Smörjning.....</b>	<b>170</b>
<b>Tryckjustering.....</b>	<b>171</b>
Luftryck.....	171
Kalibrera korrekt luftryck.....	171
Vattentryck.....	171
<b>Borrstål.....</b>	<b>171</b>
Innan borrstålet monteras på plats.....	171
Montera borrstålet.....	171
Ta bort borrstålet.....	172
<b>Drift.....</b>	<b>172</b>
<b>Åtgärder före start.....</b>	<b>173</b>
Kontrollera borrarutrustningen.....	173
Blås ur luftslangen.....	173
Fyll smörjapparaten med olja.....	173
Montera matarbenet på bergbormaskinen.....	173
<b>Reglage.....</b>	<b>173</b>
Effektreglage.....	173
Matningsreglage.....	173
Ventilpinne.....	174
<b>Start och stopp.....</b>	<b>174</b>
Starta bergbormaskinen.....	174
Stoppa bergbormaskinen.....	174
<b>Drift.....</b>	<b>174</b>

Borring.....	174
Flytta matarbenet.....	175
Urbåsning av borrhålet.....	175
<b>När du tar rast.....</b>	<b>175</b>
<b>Underhåll.....</b>	<b>175</b>
<b>Skillnader mellan originaldelar och kopior.....</b>	<b>175</b>
<b>Dagligen.....</b>	<b>176</b>
<b>Slitagekontroll.....</b>	<b>176</b>
<b>Regelbundet underhåll.....</b>	<b>177</b>
<b>Skademönster.....</b>	<b>177</b>
<b>Förvaring.....</b>	<b>177</b>
<b>Kassering.....</b>	<b>177</b>
<b>Tekniska specifikationer.....</b>	<b>178</b>
<b>Felsökning.....</b>	<b>178</b>
<b>Maskindata.....</b>	<b>179</b>
<b>Buller- och vibrationsdeklaration.....</b>	<b>179</b>
<b>Buller- och vibrationsdata.....</b>	<b>180</b>
<b>Tillbehör.....</b>	<b>180</b>
<b>Matarben.....</b>	<b>180</b>
<b>EG-deklaration om överensstämmelse.....</b>	<b>181</b>
<b>EG-deklaration om överensstämmelse (EG-direktiv 2006/42/EG).....</b>	<b>181</b>





## Inledning

Tack för att ni valt en produkt från Atlas Copco. Sedan 1873 har vi arbetat med att hitta nya och bättre sätt att tillgodose våra kunders behov. Vi har under årens lopp utvecklat nyskapande och ergonomiska produktlösningar som har hjälpt kunderna att förbättra och rationalisera det dagliga arbetet.

Atlas Copco har ett starkt globalt försäljnings- och servicenät med kontor och återförsäljare runt om i världen. Våra experter är välutbildade yrkesmän med omfattande produktkännedom och praktisk erfarenhet. Vi kan stå till tjänst med produktsupport och expertkunskap i alla delar av världen så att våra kunder alltid kan arbeta så effektivt som möjligt.

För mer information besök: [www.atlascopco.com](http://www.atlascopco.com)

Atlas Copco Construction Tools AB

105 23 Stockholm

Sweden

## Om säkerhetsinstruktionen och bruksanvisningen

Syftet med säkerhetsinstruktionen och bruksanvisningen är att ge dig kunskap om hur man använder bergbormaskinen på ett effektivt och säkert sätt. Du får även råd och information om hur du ska utföra det regelbundna underhållet av bergbormaskinen.

Innan du använder bergbormaskinen för första gången måste du läsa igenom dessa instruktioner noggrant och vara säker på att du förstår dem helt och hållet.

## Säkerhetsinstruktioner

För att minska risken för att du själv eller andra ska råka ut för allvarliga skador eller dödsfall bör du läsa och förstå denna Säkerhetsinstruktion och bruksanvisning innan du installerar, använder, reparerar, underhåller eller byter tillbehör på maskinen.

Sätt upp denna Säkerhetsinstruktion och bruksanvisning på arbetsplatsen, dela ut kopior till de anställda och se till att alla läser den innan de använder eller utför service på maskinen.

Dessutom ska användaren eller användarens arbetsgivare genomföra en bedömning av de specifika risker som kan förekomma varje gång maskinen är i drift.

## Säkerhetssymboler

Signalorden Fara, Varning och Varsamhet har följande betydelser:

<b>FARA</b>	Indikerar en överhängande farlig situation som – om den inte undviks – kommer att leda till dödsfall eller allvarlig personskada.
<b>VARNING</b>	Indikerar en farlig situation som – om den inte undviks – kan leda till dödsfall eller allvarlig personskada.
<b>OBSERVERA</b>	Indikerar en farlig situation som – om den inte undviks – kan leda till lindrig eller måttlig personskada.

## Personliga försiktighetsåtgärder och utbildning

Endast behörig och utbildad personal får använda maskinen eller utföra underhåll på den. Personalen måste orka hantera verktygets volym, vikt och kraft. Använd alltid sunt förnuft och gott omdöme.

### Personlig skyddsutrustning

Använd alltid godkänd skyddsutrustning. Maskinanvändarna och alla andra personer som vistas inom arbetsområdet måste bära minst följande skyddsutrustning:

- Skyddshjälm
- Hörselskydd
- Slagtåliga skyddsglasögon med sidoskydd
- Andningskydd, vid behov
- Skyddshandskar

- Lämpliga skyddsskor
- Lämplig arbetsoverall eller liknande kläder (inte löst sittande plagg) som täcker armar och ben.

### Droger, alkohol eller läkemedel

#### ▲ VARNING Droger, alkohol eller läkemedel

Droger, alkohol och läkemedel kan påverka ditt omdöme och koncentrationsförmåga. Dålig reaktionsförmåga och felbedömningar kan leda till allvarliga olyckor eller dödsfall.

- ▶ Använd inte maskinen när du är trött eller påverkad av alkohol, droger eller läkemedel.
- ▶ Personer som är påverkad av alkohol, droger eller läkemedel får inte använda maskinen.

## Installation, säkerhetsåtgärder

### ▲ FARA Kastande luftslang

En tryckluftsslang som lossnar kan kastas runt och leda till personskador eller dödsfall. För att minska risken för detta:

- ▶ Kontrollera att tryckluftsslangen och anslutningarna inte är skadade, byt ut vid behov.
- ▶ Kontrollera att alla tryckluftsanslutningar är riktigt anslutna.
- ▶ Bär aldrig en tryckluftsmaskin i luftslangen.
- ▶ Försök aldrig koppla isär en tryckluftsslang som är trycksatt. Stäng först av tryckluftsförsörjningen på kompressorn och avlufta sedan maskinen genom att aktivera start- och stoppanordningen.
- ▶ Rikta aldrig en tryckluftsslang mot dig själv eller någon annan. För att undvika risken för personskador ska tryckluft inte användas för att blåsa bort till exempel damm, smuts och liknande från kläderna.
- ▶ Använd inte snabbkopplingar till verktygsfästet. Använd härdade slanganslutningar med stålgångor (eller material med motsvarande stöthållfasthet).
- ▶ Vid användning av universalvridkopplingar (klokkopplingar) rekommenderas montering av låssprintar samt användning av säkerhetsvagnar för att skydda vid eventuella fel på anslutningen mellan slang och verktyg eller mellan slangar.

### ▲ VARNING Utslungat insatsverktyg

Om maskinens verktygshållare inte är låst kan insatsverktyget kastas ut med stor kraft och förorsaka personskador.

- ▶ Starta inte maskinen under byte av insatsverktyg.
  - ▶ Stanna maskinen, stäng av strömförsörjningen och lufta maskinen genom att aktivera start- och stoppanordningen innan byte av insatsverktyg eller tillbehör sker.
  - ▶ Rikta inte insatsverktyget mot dig själv eller någon annan.
  - ▶ Se till att insatsverktyget är ordentligt monterat och att verktygshållaren är låst innan maskinen startas.
  - ▶ Kontrollera låsfunktionen genom att dra insatsverktyget utåt med kraft.
- ▲ VARNING Rörligt/löst insatsverktyg**  
En felaktig dimension på insatsverktygets nacke kan leda till att insatsverktyget tappas eller glider ur under användningen. Risk för allvarliga skador eller klämskador på fingrar och händer.
- ▶ Kontrollera att nacken på insatsverktyget har rätt dimensioner för maskinen som ska användas.
  - ▶ Insatsverktyg utan krage får inte användas.
- ▶ Se till att du alltid står stabilt med fötterna lika brett isär som dina axlar och med kroppen i balans.
  - ▶ Kontrollera alltid utrustningen före användning. Använd inte utrustningen om du misstänker att den är skadad.
  - ▶ Se till att handtagen är rena och fria från smörjfett och olja.
  - ▶ Håll fötterna på avstånd från insatsverktyget.
  - ▶ Stå stadigt och håll alltid i maskinen med bägge händerna.
  - ▶ Borra aldrig i ett gammalt hål.
  - ▶ Starta inte maskinen när den ligger på marken.
  - ▶ Sitt inte gränsle över maskinen med ena benet över handtaget.
  - ▶ Slå inte på eller på annat sätt missbruka utrustningen.
  - ▶ Kontrollera regelbundet att insatsverktyget inte är slitet och kontrollera om det finns några tecken på skador eller synliga sprickor.
  - ▶ Var uppmärksam och fokuserad på arbetsuppgiften.

## Drift, säkerhetsåtgärder

### ▲ FARA Explosionsrisk

Om ett varmt insatsverktyg kommer i kontakt med ett sprängämne kan en explosion inträffa. Vid arbete på vissa material och användning av vissa material i maskindelar kan gnistbildning eller antändning förekomma. Explosioner kan orsaka allvarliga personskador eller dödsfall.

- ▶ Använd aldrig maskinen i explosiva miljöer.
- ▶ Använd inte maskinen nära brännbara material, ångor eller damm.
- ▶ Kontrollera att det inte finns några okända gaskällor eller sprängämnen i närheten.
- ▶ Borra aldrig i ett gammalt hål.

### ▲ VARNING Oförutsedda rörelser

Insatsverktyget utsätts för hög belastning när maskinen används. Insatsverktyget kan gå sönder på grund av materialutmattning efter en viss tids användning. Om insatsverktyget går sönder eller fastnar kan maskinen göra plötsliga eller våldsamma kast som kan orsaka personskador. Dessutom kan skador uppstå om du tappar balansen eller halkar.

### ▲ VARNING Risk för roterande maskin

Om verktyget fastnar under drift kommer hela maskinen att börja rotera om du förlorar greppet om den. Denna oväntade rotation av hela maskinen kan orsaka allvarliga personskador eller dödsfall.

- ▶ Stå stadigt och håll alltid i maskinen med båda händerna.
- ▶ Se till att handtaget/handtagen är rena och fria från smörjfett och olja.
- ▶ Borra aldrig i ett gammalt hål.

### ▲ VARNING Risk för att föremål fastnar

Halssmycken, hår, handskar och kläder kan fastna eller dras in i roterande insatsverktyg eller tillbehör. Detta kan orsaka kvävning, slit- och skärsår eller dödsfall. För att minska risken:

- ▶ Ta aldrig tag i eller rör vid ett roterande borrarstål.
- ▶ Undvik att bära kläder, halssmycken eller handskar som kan fastna.
- ▶ Använd hårnät om du har långt hår.

**▲ VARNING Faror med damm och ångor**

Damm och/eller ångor som uppstår eller sprids vid användning av maskinen kan orsaka allvarliga permanenta sjukdomar i andningsvägar, andra sjukdomar eller fysiska skador (till exempel silikos eller andra obotliga och potentiellt dödliga lungsjukdomar, cancer, fosterskador och/eller hudinflammationer).

Vissa typer av damm och ångor som uppstår vid borring, brytning, hamrande, sågning, slipning eller andra byggrelaterade aktiviteter innehåller substanser som enligt Staten Kalifornien och andra myndigheter kan orsaka sjukdomar i andningsvägar, cancer, fosterskador eller andra fortplantningsskador. Några exempel på sådana kemikalier är:

- Kristallin kiseldioxid, cement och andra produkter för murning.
- Arsenik och krom från kemiskt behandlat gummi.
- Bly från blybaserade målarfärger.

Damm och ångor i luften kan vara osynliga för blotta ögat. Lita därför inte på att kunna avgöra om det finns damm eller ångor i luften med bara ögats hjälp.

Vidta samtliga följande åtgärder för att minska risken för exponering för damm och ångor:

- ▶ Gör en platsspecifik riskbedömning. Riskbedömningen bör inkludera damm och ångor orsakade av användning av maskinen samt eventuella störningar från existerande damm.
- ▶ Använd lämpliga tekniska kontrollåtgärder för att minimera mängden damm och ångor i luften och minimera påbyggnad på utrustning, ytor, kläder och kroppsdelar. Exempel på kontrollåtgärder innefattar utsugsventilation och dammuppsamlare, vattenspray och våtbörning. Kontrollera om möjligt damm och ångor vid källan. Se till att tekniska åtgärder införs, upprätthålls och används på korrekt sätt.
- ▶ Se till att bära, underhålla och använda andningsskydd på korrekt sätt, i enlighet med arbetsgivarens instruktioner och gällande arbetsmiljöbestämmelser. Andningsskyddet måste ge ett effektivt skydd för det aktuella ämnet (och i förekommande fall vara godkänt av berörd myndighet).
- ▶ Arbeta i väl ventilerade utrymmen.
- ▶ Om maskinen är försedd med utblås bör detta riktas så att störningarna från damm i dammfyllda miljöer reduceras.
- ▶ Använd och underhåll maskinen i enlighet med rekommendationerna i säkerhetsinstruktioner och bruksanvisning.

- ▶ Välj, underhåll samt byt ut förbrukningsartiklar/insatsverktyg/övriga tillbehör enligt rekommendationerna i säkerhetsinstruktioner och bruksanvisning. Felaktigt val eller bristande underhåll på förbrukningsvaror/insatsverktyg/övriga tillbehör kan leda till en onödig ökning av mängden damm eller ångor.
- ▶ Använd tvättbara skyddskläder eller skyddskläder för engångsbruk på arbetsplatsen. Duscha och byt om till rena kläder innan du lämnar arbetsplatsen för att minska exponering för damm och ångor för såväl dig själv som andra personer, i bilar, hem samt andra platser.
- ▶ Undvik att äta, dricka eller använda tobaksprodukter på platser med damm och ångor.
- ▶ Tvätta händer och ansikte så snart som möjligt när du lämnar exponeringsområdet och alltid innan du äter, dricker, använder tobaksprodukter eller har kontakt med andra människor.
- ▶ Följ alla tillämpliga lagar och bestämmelser, inklusive arbetsmiljöbestämmelser.
- ▶ Delta i övervakning av luftkvaliteten, medicinska undersökningar samt arbetsmiljöutbildningar som erbjuds av arbetsgivaren eller branschorganisationer i enlighet med arbetsmiljöbestämmelser och -rekommendationer. Rådgör med läkare med relevant kompetens i yrkesmedicin.
- ▶ Arbeta tillsammans med arbetsgivaren och branschorganisationen för att minska exponeringen för damm och ångor på arbetsplatsen och minska riskerna. För att skydda arbetstagare och andra mot skadlig exponering av damm och ångor bör effektiva arbetsmiljöprogram, riktlinjer och metoder tas fram och implementeras, baserade på råd från arbetsmiljöexperter. Rådgör med experter.

**▲ VARNING Kringflygande föremål**

Defekter i arbetsmaterialet, i tillbehör eller till och med i själva maskinen kan leda till att det finns risk för kringflygande föremål. Under användning kan flisor eller andra föremål från arbetsmaterialet flyga iväg och orsaka personskador genom att träffa maskinanvändaren eller andra personer. För att minska dessa risker:

- ▶ Använd godkänd personlig skyddsutrustning och skyddshjälm, inklusive slagtåliga skyddsglasögon med sidoskydd.
- ▶ Håll obehöriga personer på avstånd från arbetsområdet.
- ▶ Håll arbetsplatsen ren och fri från främmande föremål.
- ▶ Se till att arbetsmaterialet är ordentligt säkrat.

**▲ VARNING Risk för flisor**

Om insatsverktyget används som slagverktyg kan flisor träffa användaren och orsaka personskador.

- ▶ Använd aldrig insatsverktyg som slagverktyg. Dessa är specialdesignade och värmebehandlade för att endast användas i en maskin.

**▲ VARNING Risk för halk-, snubbel- och fallolyckor**

Det finns risk för halk-, snubbel- eller fallolyckor, användaren kan till exempel snubbla över slangar eller andra föremål. Halk- snubbel- och fallolyckor kan orsaka skador. För att minska risken för detta:

- ▶ Se alltid till att inga slangar eller andra föremål ligger i vägen för dig eller någon annan person.
- ▶ Se till att alltid stå stabilt med fötterna lika brett isär som dina axlar och med kroppen i balans.

**▲ VARNING Risker vid rörelser**

När maskinen används för att utföra arbetsrelaterade aktiviteter kan det hända att du upplever obehag i händer, armar, axlar, nacke eller andra delar av kroppen.

- ▶ Stå i en bekväm ställning med fötterna säkert placerade. Undvik onormala ostadiga kroppsställningar.
- ▶ Byte av kroppsställning kan vara ett sätt att undvika obehag och trötthet under utdragna arbetsuppgifter.
- ▶ Rådgör med kvalificerad hälso- och sjukvårdspersonal vid ihållande eller återkommande symptom.

**▲ VARNING Vibrationsfaror**

Normal och korrekt användning av maskinen utsätter användaren för vibrationer. Regelbunden och frekvent exponering för vibrationer kan orsaka, bidra till eller förvärra skador eller problem i användarens fingrar, händer, handleder, armar, skuldror och/eller nerver och blodtillförsel eller andra kroppsdelar. Detta omfattar försvagningar och/eller permanenta skador eller problem som kan utvecklas gradvis under flera veckor, månader eller år. Sådana skador, eller problem, kan omfatta skador på blodomlopp, nervsystem och leder, men även på andra kroppsstrukturer.

Sluta använda maskinen, underrätta din arbetsgivare och kontakta läkare vid besvär med ihållande återkommande obehag, brännande känslor, stelhet, bultande, domningar, stickningar, värk, försämrad finmotorik eller greppförmåga, om huden vitnar eller andra symptom uppstår vid användning av maskinen eller efter användning av maskinen. Fortsatt användning av maskinen när sådana symptom uppstår kan öka risken för att symptomen förvärras och/eller blir bestående.

Använd och underhåll maskinen enligt rekommendationerna i dessa instruktioner för att undvika onödiga vibrationsökningar.

Följande åtgärder kan bidra till att minska risken för att användaren utsätts för vibrationer:

- ▶ Låt maskinen göra jobbet. Håll inte hårdare i handtaget än vad som behövs för kontroll och säker drift.
- ▶ Om maskinen har vibrationsdämpande handtag, håll dessa i central position och undvika att trycka in handtagen i ändstoppen.
- ▶ När slagmekanismen är aktiverad ska ingen annan del av kroppen komma i kontakt med maskinen förutom dina händer på handtaget/handtagen. Du bör till exempel inte stödja någon del av kroppen mot maskinen eller luta dig mot den för att försöka öka matningskraften. Det är dessutom viktigt att inte hålla inne start- och stoppanordningen när man drar ut insatsverktyget från det krossade materialet.
- ▶ Se till att insatsverktyget är i bra skick (samt att det är vasst om det är ett skärverktyg), har rätt storlek och inte är utslitet. Insatsverktyg som inte underhålls på rätt sätt, som är utslitna eller som har fel storlek gör att arbetet tar längre tid (vilket medför längre exponering för vibrationer) och kan resultera i eller bidra till att användaren utsätts för mer vibrationer.
- ▶ Sluta arbetet omedelbart om maskinen plötsligt börjar vibrera våldsamt. Ta reda på orsaken till de ökade vibrationerna och åtgärda felet innan du återupptar arbetet.

- ▶ Du får inte ta tag i, hålla i eller vidröra insatsverktyget medan maskinen är igång.
- ▶ Delta i hälsokontroller, medicinska undersökningar och utbildningsprogram när arbetsgivaren erbjuder det eller när lagen kräver det.
- ▶ Bär varm klädsel och se till att hålla händerna varma och torra vid arbete under kalla förhållanden.

Se maskinens "Buller- och vibrationsdeklaration", inklusive de deklarerade vibrationsvärdena. Denna information återfinns i slutet av denna Säkerhetsinstruktion och bruksanvisning.

- ◆ Använd rekommenderat lufttryck vid användning av maskinen. Såväl högre som lägre lufttryck kan leda till ökade vibrationer.

#### ▲ FARA Elektriska faror

Maskinen är inte elektriskt isolerad. Om maskinen kommer i kontakt med elektricitet kan allvarliga personskador eller dödsfall inträffa.

- ▶ Använd inte maskinen i närheten av elledningar eller andra elektriska källor.
- ▶ Säkerställ att det inte finns några dolda ledningar eller andra elektriska källor i arbetsområdet.

#### ▲ VARNING Faror med dolda föremål

Under drift kan dolda ledningar och rör utgöra en fara som kan leda till allvarliga personskador.

- ▶ Kontrollera materialets sammansättning innan du påbörjar arbetet.
- ▶ Se upp för dolda ledningar och rör, exempelvis som el, telefon, vatten, gas och avlopp.
- ▶ Stäng omedelbart av maskinen om insatsverktyget verkar ha slagit emot ett dolt föremål.
- ▶ Påbörja inte arbetet igen förrän det är riskfritt att fortsätta.

#### ▲ VARNING Oavsiktlig start

Oavsiktlig start av maskinen kan leda till personskador.

- ▶ Håll händerna borta från start- och stoppanordningen tills arbetet skall påbörjas.
- ▶ Lär dig hur man stänger av maskinen i händelse av nödfall.
- ▶ Släpp omedelbart start- och stoppanordningen vid avbrott i strömförsörjningen.
- ▶ Vid montering/demontering av insatsverktyg, stäng av tryckluftsförsörjningen, lufta maskinen genom att trycka in start- och stoppanordningen samt koppla ifrån maskinen från strömkällan.

#### ▲ VARNING Bullerfaror

Höga ljudnivåer kan orsaka permanenta hörselskador och andra problem som tinnitus (ringande, surrande, visslande eller brummande ljud i öronen). Minska risken och undvik onödigt höga ljudnivåer genom att:

- ▶ Göra en riskbedömning av dessa faror samt införa lämpliga kontroller.
- ▶ Använda och underhålla maskinen i enlighet med rekommendationerna i denna instruktionsbok.
- ▶ Använda, underhålla och byta ut insatsverktyget i enlighet med rekommendationerna i denna instruktionsbok.
- ▶ Om maskinen är försedd med ljuddämpare, kontrollera att denna sitter på plats och är i gott skick.
- ▶ Använd alltid hörselskydd.
- ▶ Använd dämpande material för att förhindra att arbetsmaterialet avger ett "ringande" ljud.

## Underhåll, säkerhetsåtgärder

#### ▲ VARNING Maskinmodifieringar

Eventuella modifieringar av maskinen kan leda till att du själv eller andra personer skadas.

- ▶ Modifiera inte maskinen. Modifierade maskiner omfattas inte av garantin eller tillverkarens produktansvar.
- ▶ Använd endast originaldelar, insatsverktyg och tillbehör som är godkända av Atlas Copco.
- ▶ Byt omedelbart ut skadade delar.
- ▶ Byt ut slitna delar i god tid.

#### ▲ OBSERVERA Varmt insatsverktyg

Spetsen på insatsverktyget kan bli varmt och vasst under användning. Att vidröra spetsen kan leda till bränn- eller skärskador.

- ▶ Ta inte på ett varmt eller vasst insatsverktyg.
- ▶ Vänta tills insatsverktyget har svalnat innan du utför något underhåll på maskinen.

#### ▲ VARNING Faror med insatsverktyget

Oavsiktlig aktivering av start- och stoppanordningen vid underhållsarbete eller montering kan orsaka allvarliga skador när strömkällan ansluts.

- ▶ Tänk på att aldrig inspektera, rengöra, montera eller demontera insatsverktyget när strömkällan är ansluten.

## **Förvaring, säkerhetsåtgärder**

---

- ◆ Förvara maskiner och verktyg på en säker, låst plats utom räckhåll för barn.

## Översikt

För att minska risken för allvarliga personskador eller till och med dödsfall ska du läsa avsnittet med säkerhetsinstruktionerna på de föregående sidorna i denna bruksanvisning innan du använder maskinen.

## Konstruktion och användningsområde

Atlas Copco BBC 16W/WS och BBC 34W/WS bergbormaskiner (anpassade för matarben) vattenspolande och avsedda för lufttryck på 4–6 bar. Bergbormaskinen (anpassad för matarben) är avsedd för följande användningsområden:

BBC 16W/WS och BBC 34W/WS används i en rad områden vid byggnadsarbeten samt vid gruv användning under mark. Bergbormaskinerna (anpassade för matarben) är av allround-typ och lämpliga för medelhårda och hårda bergarter. Ingen annan användning är tillåten.

Matarbenet hjälper operatören att lyfta och mata bergbormaskinen under borrhningen. Matarbenets kontroll sitter på bergbormaskinens bakstycke.

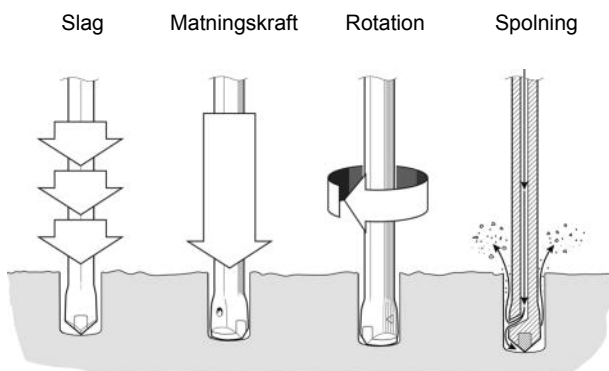
Maskinerna är avsedda för användning tillsammans med matarbenen BMT 51, ALF 71, ALF 71-1 och ALF 67/80.

Bergbormaskinerna (anpassade för matarben) har vattenspolning och en kraftig rotationsmekanism av spärraxeltyp. Bergbormaskinerna (anpassade för matarben) är försedd med en borbussning för en sexkantig nacke på 22 mm x 108 mm.

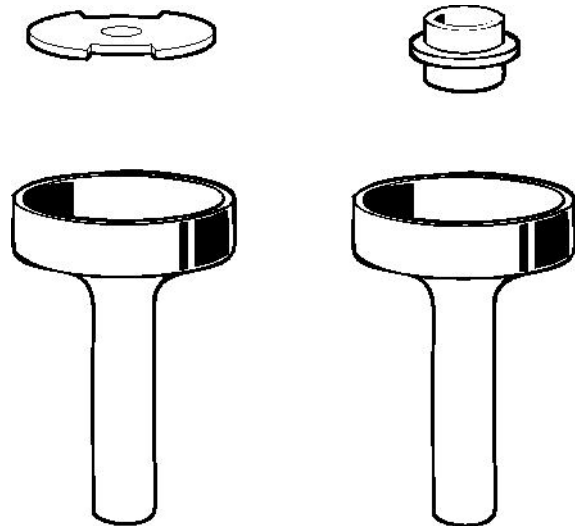
Bergbormaskinerna är försedda med en 25 mm-anlutning (1 in.) för luft och en 12,5 mm-anlutning (½ in.) för vatten.

Kontakta din lokala Atlas Copco-återförsäljare för hjälp med val av korrekt insatsverktyg.

### Arbetsprincipen för en bergbormaskin



### Styrventilsmekanism

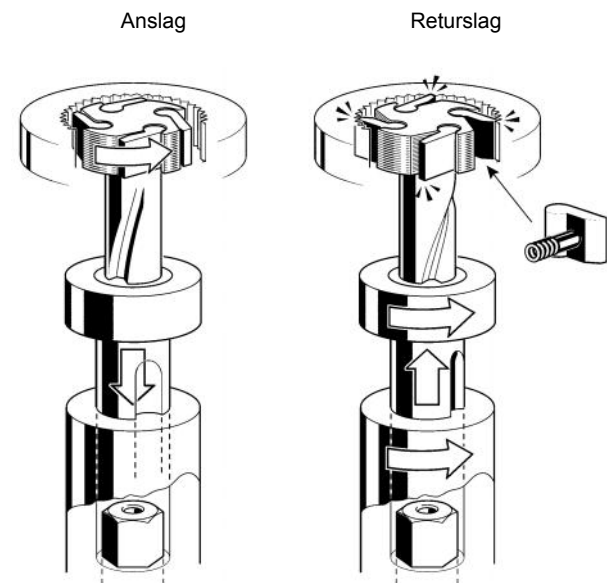


BBC 16W/WS

BBC 34W/WS

Ventilen styr luften växelvis från ena änden av kolven till den andra, så att kolven rör sig upp och ner. Kolven överför energin genom borbstålet till hålets botten.

### Rotationsmekanism



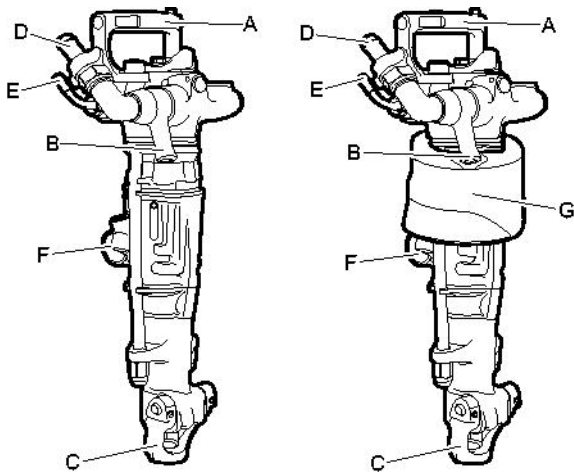
Borbstålet vrids en aning vid varje slag genom spärraxelns rotation. Rotationen sker moturs och utförs vid kolvens returslag.

### Spolning

Spolningen leds genom två koncentriska rör, det yttre för luft och det inre för vatten. Detta innebär att spillluft matas fram så snart som tryckluften sätts på. Syftet är att förhindra vatten från att komma in i bergbormaskinens slagmekanism.



## Maskinens huvuddelar



BBC 16W/34W

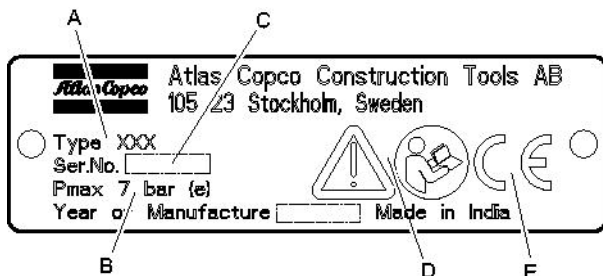
BBC 16WS/34WS

- A. Handtag
- B. Effektreglage
- C. Borrstålshållare
- D. Luftnippel
- E. Vattennippel
- F. Maskinfäste
- G. Ljuddämpare

## Dekaler

Maskinen är försedd med dekalering som innehåller viktig information om personlig säkerhet och maskinunderhåll. Dekalerna ska vara i sådant skick att de enkelt kan läsas. Nya dekalering kan beställas med hjälp av reservdelslistan.

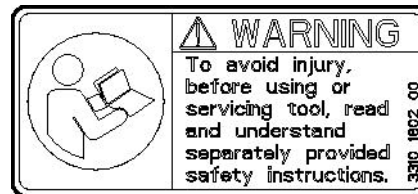
### Typskylt



- A. Modell
- B. Maximalt tillåtet lufttryck
- C. Serienummer

- D. Varningsymbol ihop med boksymbol innebär att användaren ska läsa igenom säkerhetsinstruktionen och bruksanvisningen innan maskinen används för första gången.
- E. CE-symbolen betyder att maskinen är EG-godkänd. Se den EG-deklaration som medföljer maskinen för närmare information. Om CE-symbolen saknas betyder att maskinen inte är EG-godkänd.

### Säkerhetsdekal



För att undvika skador bör du läsa och förstå separat bifogade säkerhetsinstruktioner innan du använder eller underhåller verktyg.

## Installation

### Uppackning av bergborrmaskinen

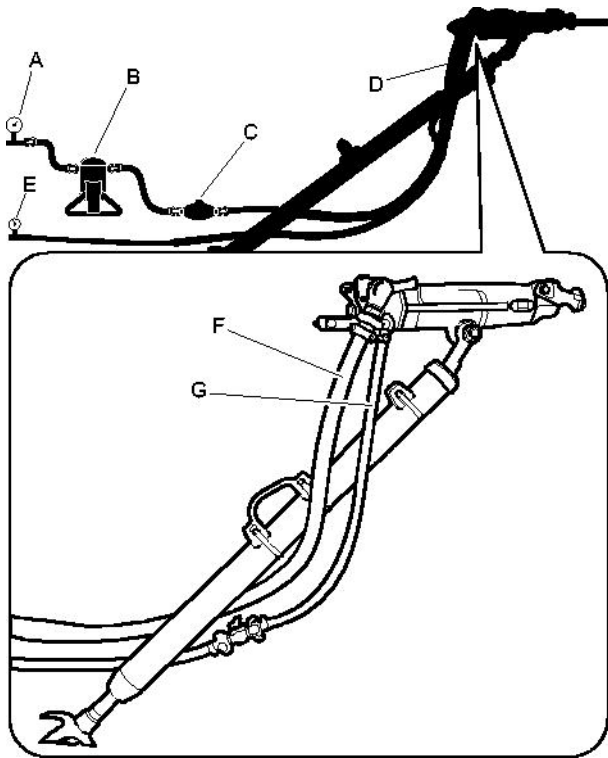
#### Plastskydd

Innan bergborrmaskinen börjar användas för första gången ska alla plastskydd i slangnippel, ventilationshål samt i borrhylsan tas bort.

#### Smörjning

Efter uppackning och montering av verktyget, håll en riklig mängd smörjolja i luftanslutningen.

## Slangar och anslutningar



- A. Tryckluftskälla
  - B. Vattenavskiljare, VAM 5A (tillval)
  - C. Smörjapparat, BLG 30 eller CLG 30 (tillval)
  - D. Maximalt 3 meter tryckluftsslang mellan smörjapparaten och maskinen.
  - E. Vatten
  - F. Luftslang, maskin
  - G. Vattenslang
- ◆ Kontrollera att korrekt rekommenderat arbetstryck, 6 bar (e), används.
  - ◆ Det högsta tillåtna lufttrycket 7 bar (e) får ej överskridas.
  - ◆ Blås ur eventuella föroreningar ur tryckluftsslangen innan du ansluter den till maskinen.
  - ◆ Välj rätt dimension och längd på tryckluftsslangen. För slanglängder upp till 30 meter bör en slang med en innerdiameter på minst 25 mm (1 in.) användas. Om slanglängden är mellan 30 och 100 meter bör en slang med en innerdiameter på minst 50 mm (2 in.) användas.

## Åtgärder för att förhindra frysning

Isbildning kan uppstå i ljudämparen när omgivningens lufttemperatur är 0–10 °C (32–50 °F) och den relativa luftfuktigheten är hög.

Maskinen är konstruerad för att förebygga isbildning i ljudämparen. Trots detta kan is under extrema förhållanden bildas i ljudämparen.

Vidtag följande åtgärder för att ytterligare minska risken för isbildning:

- ◆ Använd Atlas Copco Rock Drill AIR-OIL som smörjmedel.
- ◆ Använd vattenavskiljaren VAM 5A.

Om bergborren isar igen får den aldrig värmas upp för att smälta isen. Låt alltid isen töa upp i rumstemperatur.

Håll aldrig denaturerad sprit eller liknande substanser i bergborren, eftersom de påverkar smörjningen negativt och leder till ökat slitage.

## Ansluta en vattenavskiljare

Luftslangen mellan kompressorn och vattenavskiljaren måste vara så lång att vattenången kyls och kondenseras i slangen innan den når vattenavskiljaren.

Om omgivningstemperaturen är under 0 °C (32 °F) skall slangen vara så kort att vattnet inte hinner frysa innan det når vattenavskiljaren.

## Smörjning

Bergbormaskinen smörjs med olja som blandas i tryckluften som sedan leder den vidare till de delar som behöver kontinuerlig smörjning. Olja doseras i tryckluften med hjälp av smörjapparaten Atlas Copco BLG 30 eller CLG 30 som ansluts till luftledningen.

Använd Atlas Copco Rock Drill AIR-OIL som utvecklats speciellt för de tryckluftsdrevna bergbormaskinerna BBC, BBD samt RH. Rock Drill AIR-OIL är helt biologiskt nedbrytbar enligt OECD 301 och ger en stark film som klarar stora belastningar. Om Rock Drill AIR-OIL inte finns tillgänglig används i stället en mineralbaserad tryckluftsolja med de egenskaper som rekommenderas i tabellen nedan.

Temperaturområde (°C)	Viskositetsgrad (ISO 3448)
-30 till 0	ISO VG 32-68
-10 till +20	ISO VG 68-100
+10 till +50	ISO VG 100-150

## Tryckjustering

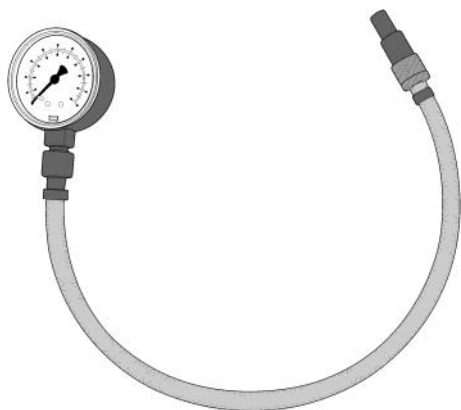
### Lufttryck

Se till att kompressorn kan leverera det lufttryck på 4–6 bar som maskinen kräver.

1. Högt tryck förorsakar ojämn gång och överdrivet slitage.
2. Lågt tryck ger långsam borrhastighet.

### Kalibrera korrekt lufttryck

Använd Atlas Copco (9090 0550 80) tryckmanometer för att kontrollera lufttrycket då bergborrmaskinen är igång. Trycket ska mätas nära luftpipeln. Rekommenderat arbetstryck är 6 bar.



Tryckmanometern är försedd med en nål som trycks in i slangen för att mäta trycket inuti.

### Vattentryck

Vattentrycket måste vara minst 1 bar lägre än lufttrycket för att inte vattnet ska tränga in i slagmekanismen. Om exempelvis lufttrycket är 6 bar måste vattentrycket vara under 5 bar för att förhindra att vatten tränger in i slagmekanismen.

## Borrstål

### ▲ VARNING Utslungat insatsverktyg

Om huven på maskinen inte är låst kan insatsverktyget kastas ut med stor kraft och förorsaka personskador.

- Vid byte av insatsverktyg – stäng av maskinen och tryckluftsförsörjningen och avlufta maskinen genom att aktivera start- och stoppanordningen.

### Innan borrarstålet monteras på plats

Kontrollera att verktygets nacke har rätt storlek och längd för den borrhylsa som används. Nacken måste vara ren och insatsverktyget måste vara i gott skick. Nackar som är kantstötta, avrundade, har förlorat sin fyrkantsform eller är för hårda på anslagsänden fungerar ineffektivt och gör att kolven går sönder i förtid.

Kontrollera borrarstålet:

Slöa borrarstål saktar ned borrhastigheten och överbelastar bormekanismen. Vid byte av borrarstål är det viktigt att kontrollera att det nya borrarstålet har rätt storlek för att passa till det tidigare borrhålet.

Kontrollera att spolhålet i borrarstålet inte är igensatt innan borrarningen påbörjas.

### ▲ OBSERVERA Varmt insatsverktyg

Spetsen på insatsverktyget kan bli varmt och vasst under användning. Att vidröra spetsen kan leda till bränn- eller skärskador.

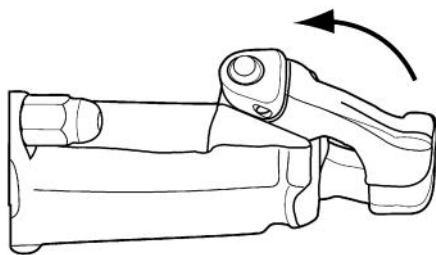
- Ta inte på ett varmt eller vasst insatsverktyg.
- Vänta tills insatsverktyget har svalnat innan du utför något underhåll på maskinen.

**OBS!** Kyl inte ett varmt insatsverktyg i vatten då detta kan försvaga verktyget och orsaka förtida fel.

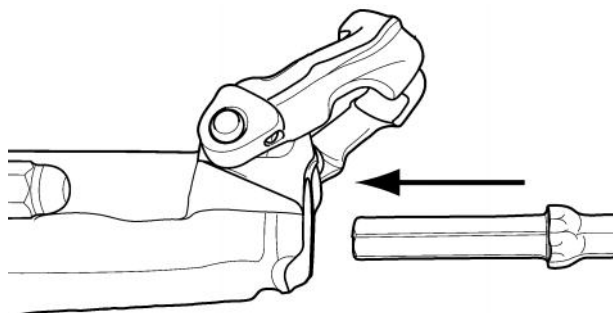
### Montera borrarstålet

Följ alltid nedanstående instruktioner vid montering av borrarstål:

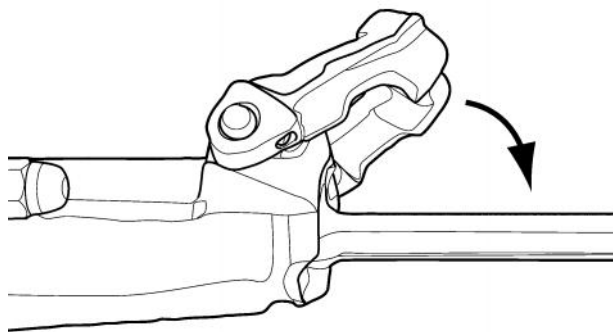
1. Tryck hållaren utåt i pilens riktning tills framdelen på hållaren kan rymma borrstålskragen.



2. Sätt in borrstålet i borrhysan.



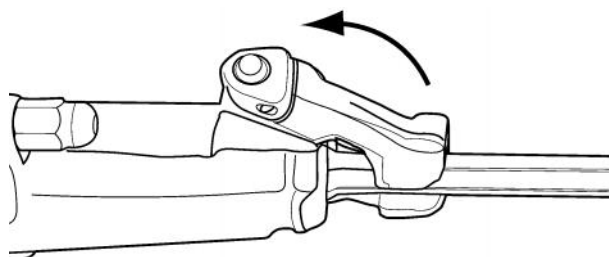
3. När borren når botten ska hållaren skjutas tillbaka för att låsa den.



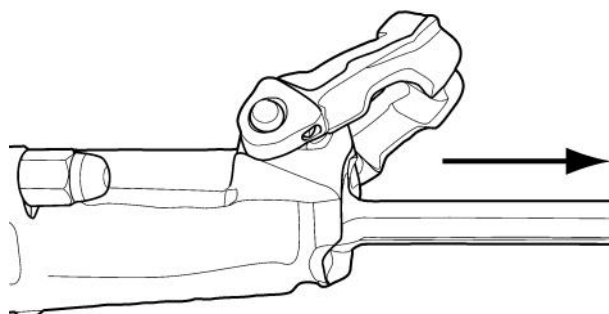
### Ta bort borrstålet

Följ alltid nedanstående instruktioner vid borttagning av borrstål:

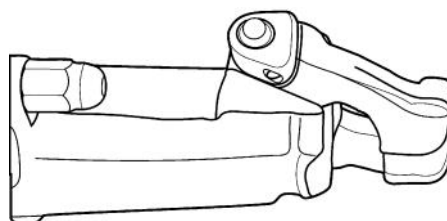
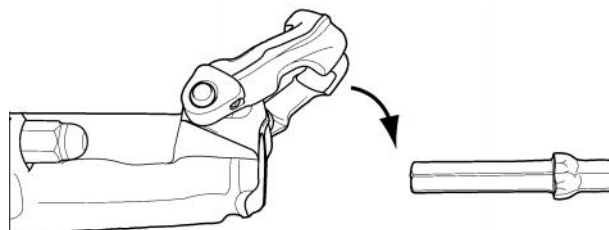
1. Tryck hållaren utåt i pilens riktning tills borrstålskragen frigörs från framdelen på hållaren.



2. Dra ut borrstålet.



3. Tryck tillbaka hållaren.



## Drift

### ▲ VARNING Oavsiktlig start

Oavsiktlig start av maskinen kan leda till personskador.

- ▶ Håll händerna borta från start- och stoppanordningen tills arbetet skall påbörjas.
- ▶ Lär dig hur man stänger av maskinen i händelse av nödfall.
- ▶ Stanna maskinen omedelbart i händelse av störningar i strömförsörjningen.

## Åtgärder före start

### Kontrollera borrarutrustningen

- ◆ Kontrollera att all borrarutrustning är i gott skick.
- ◆ Kontrollera att borrarstålsnackens slagyta är plan och utan tecken på slitage.
- ◆ Se till att luftintaget och utloppsportarna inte är tilltäppta.
- ◆ Kontrollera att spolhålen i borrarstålet och borrarskäret inte är blockerade och att spolvatten/spolluft flödar igenom utan hinder.
- ◆ Kontrollera att luftfiltret (sitter i luftnippeln) är rent och inte sönderrivet eller deformerat.
- ◆ Se till att anslutningarna är täta och läckagesäkra.

### ▲ FARA Kastande luftslang

En tryckluftsslang som lossnar kan kastas runt och leda till personskador eller dödsfall.

- ▶ Kontrollera att tryckluftsslangen och anslutningarna inte är skadade.
- ▶ Kontrollera att alla tryckluftsanslutningar är riktigt anslutna.

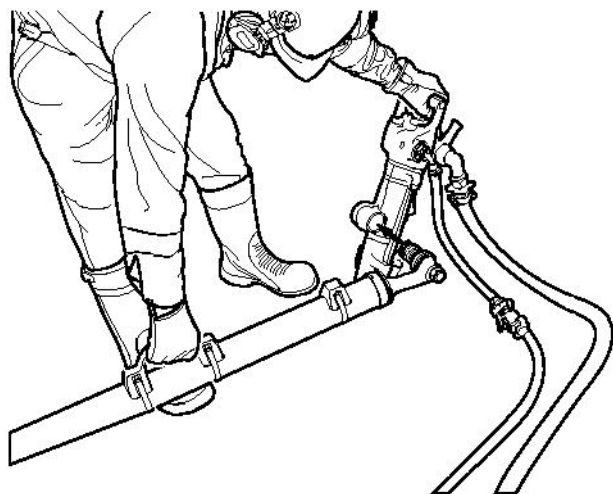
### Blås ur luftslangen

- ◆ Varje dag innan borren används ska luftslangen blåsas ur för att rengöra den från samlad smuts och fukt.

### Fyll smörjapparaten med olja

- ◆ Kontrollera att borbussningen och borrarstålsnacken alltid är täckta med en oljefilm.

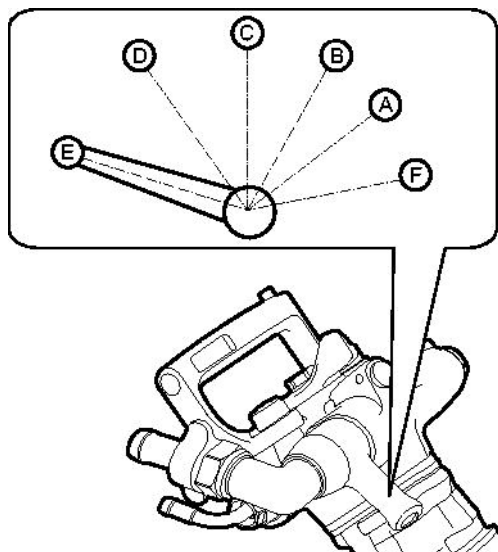
### Montera matarbenet på bergborrmaskinen



Matarbenet måste fästas på bergborren med bajonettkopplingen.

## Reglage

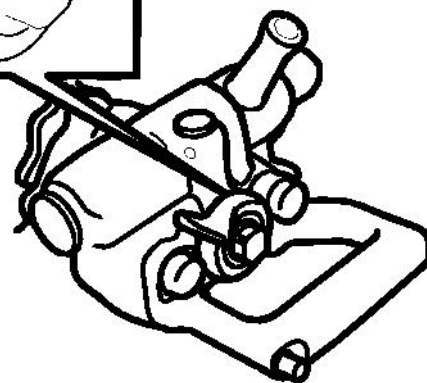
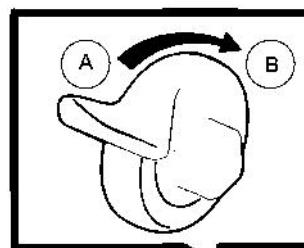
### Effektreglage



Bergborrmaskinen är försedd med ett effektreglage för reglering av såväl tryckluften till slagmekanismen som spolvattnet.

- A. Pådragsventilen stängd (stoppläge). Endast blåsrengöring.
- B. Luft till matarbenet.
- C. Spolvatten.
- D. Luft till slagsmekanismen.
- E. Effektreglaget helt öppet (full gas).
- F. Extra tryckluft ("blåsning").

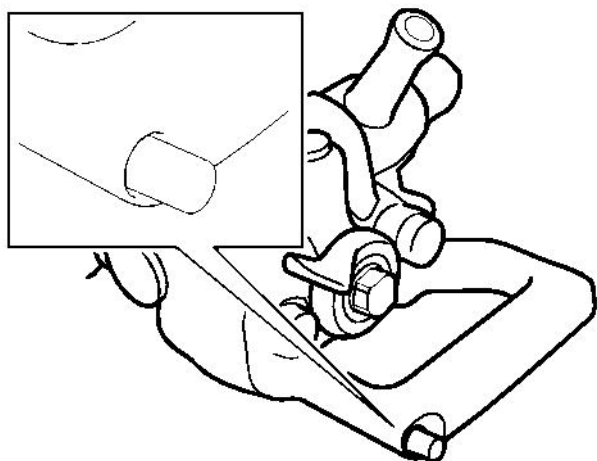
### Matningsreglage



Justera matningskraften med reglaget på följande sätt:

- ◆ Vrid reglaget medurs (B) för att öka matningskraften.
- ◆ Vrid det moturs (A) för att minska matningskraften.
- ◆ När matningsreglaget står i stängt läge (A) avluftas matarbenet.

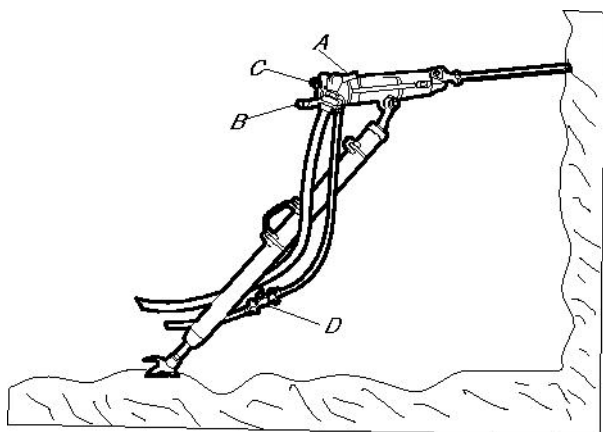
### Ventilpinne



När ventilpinnen trycks in upphör matningskraften omedelbart, utan hänsyn till matningsreglagets inställning. Kolvstängan i matarbenet dras in automatiskt. Denna funktion används exempelvis för att justera höjden på bergbormaskinen när matarbenet riggas upp eller när den tenderar att fastna. När ventilpinnen trycks in aktiveras matningsreglaget igen.

## Start och stopp

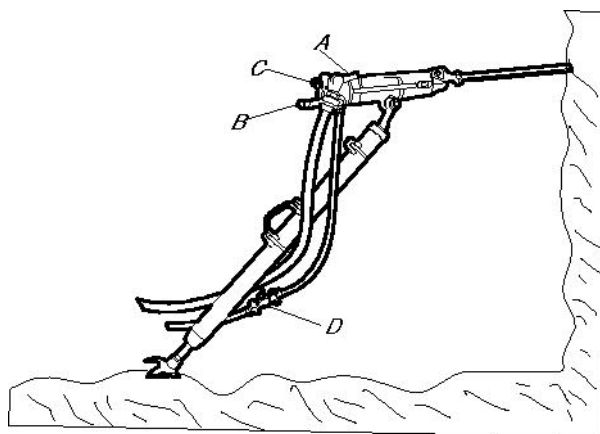
### Starta bergbormaskinen



1. Öppna huvudventilen för tryckluft.
2. Öppna kranen (D) för spolvattnet.
3. Justera matningsreglaget (C) för att få lämplig matningskraft för ansättning av hålet.

4. Rikta in bergbormaskinen så att borrstålet vidrör den önskade ansättningspunkten.
5. För effektreglaget (A) framåt lite grann för att starta vattenspolning, anslag och rotation.
6. Påbörja hålet med reducerad matningskraft.
7. För effektreglaget (A) helt framåt när borrstålet har fått ett bra fäste i stenblocket.
8. Justera matningskraften med matningsreglaget (C) så att maximal penetrationshastighet uppnås.

### Stoppa bergbormaskinen



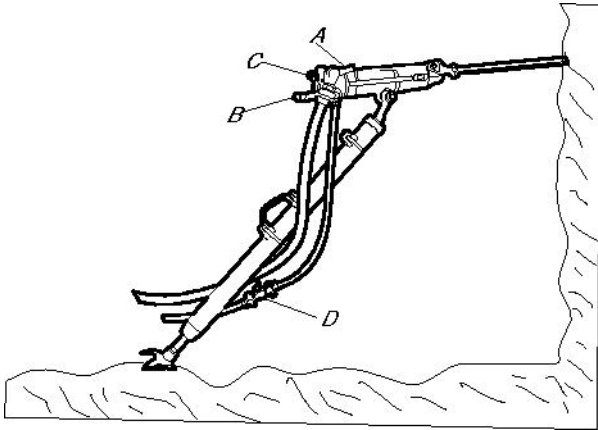
1. Dra effektreglaget (A) bakåt för att stoppa anslag, rotering och vattenspolning.
2. Vrid matningsreglaget (C) till stängt läge.

## Drift

### Borring

- ◆ Använd skyddsskor, handskar, hjälm, hörselskydd och slagtåliga skyddsglasögon med sidoskydd.
- ◆ Stå stadigt och håll alltid maskinen med båda händerna.
- ◆ Håll insatsverktyget stadigt mot arbetsytan innan du startar maskinen.

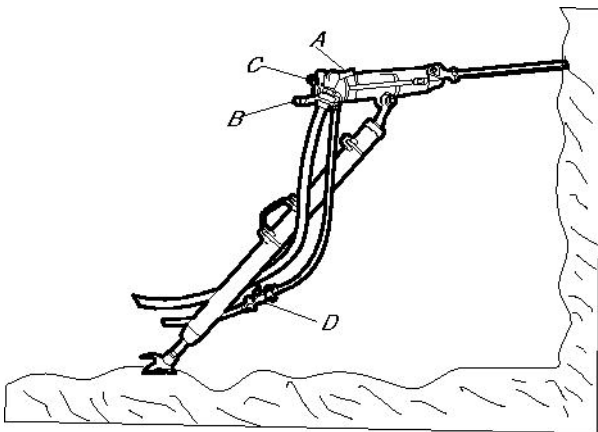
## Flytta matarbenet



1. Stäng av bergbormaskinens anslag och spolning med effektreglaget (A).
2. Tryck in ventilpinnen (B). Kolvstängan dras då automatiskt in i matarbenet.
3. Flytta matarbenet.
4. Frigör ventilpinnen (B) för att skjuta ut kolvstängan igen.
5. För effektreglaget (A) framåt till arbetsläge.

Matningsreglaget (C) behöver inte röras under denna procedur.

## Urbåsning av borrhålet



Om urblåsning av borrhålet krävs:

- 1) För effektreglaget (A) helt bakåt bortom stoppläget, till läget för extra tryckluft (se "Kontroller"). Detta får bergbormaskinen att stanna. Detta kan utföras under borrhning.
- 2) När borrhålet är rent, för effektreglaget (A) framåt igen för att starta om bergbormaskinen.

## När du tar rast

- ♦ Lägg ner bergborren på en sten, träplanka eller liknande, så att inte borkax eller annat främmande material kommer in i borbussningen.
- ♦ Stäng av vattentrycket före lufttrycket. Kör bergborren några sekunder för att få bort vatten och fukt efter det att vattnet har stängts av.

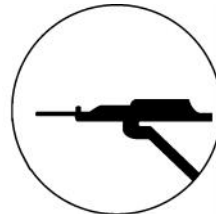
## Underhåll

Regelbundet underhåll är en förutsättning för att maskinen ska fortsätta vara säker och effektiv att använda. Följ underhållsinstruktionerna noggrant.

- ♦ Rengör maskinen före underhållsarbeten för att undvika att utsättas för skadliga ämnen. Se "Faror med damm och ångor"
- ♦ Använd endast originaldelar. Eventuella skador eller fel som uppstår genom användning av ej godkända delar täcks inte av garantin eller tillverkarens produktansvar.
- ♦ Följ gällande föreskrifter för hälsa och säkerhet och söj för god ventilation vid rengöring av mekaniska delar med lösningsmedel.
- ♦ Kontakta din närmaste auktoriserade verkstad för mer omfattande service av maskinen.
- ♦ Kontrollera att maskinens vibrationsnivå är normal efter varje servicetillfälle. Vid onormal vibrationsnivå kontakta din närmaste auktoriserade verkstad.

## Skillnader mellan originaldelar och kopior

När du köper en del är det första du ska göra att kontrollera att delen verkligen kommer från Atlas Copco. De flesta delar kan identifieras.



1985 5123 45

Delar till bergborrar är normalt märkta med ett artikelnummer och Atlas Copcos symbol, en cirkel med en bergborr. I vissa fall är delen märkt med enbart cirkeln eller enbart artikelnumret.

Delar i gummi och plast är normalt inte märkta.

Konkurrenter som kopierar våra delar märker ofta upp större och dyrare delar. Vissa delar har bara artikelnumret, men vissa av dem har även en identitetsmarkering i form av tillverkarens initialer. Artikelnumren på kopiorna är för det mesta stämplade för hand vilket resulterar i oregelbundenheter. Artikelnumren som stämplas av Atlas Copco är regelbundna och de olika siffrorna är av samma storlek. Dessutom är djupet på siffrorna och avståndet mellan siffrorna i varje grupp detsamma.

## Dagligen

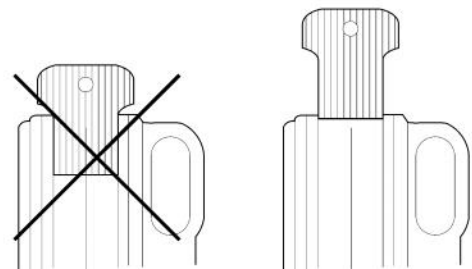
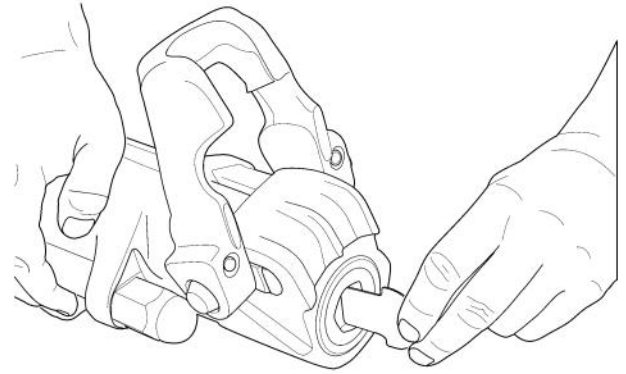
Stäng alltid av tryckluftförsörjningen och lufta maskinen genom att trycka in start- och stoppanordningen innan du utför underhåll eller byter insatsverktyg på tryckluftsmaskiner. Koppla därefter bort luftslangen från maskinen.

- ◆ Rengör och kontrollera maskinen och dess funktioner dagligen innan arbetet börjar.
- ◆ Genomför en allmän inspektion för att identifiera eventuella läckor eller skador.
- ◆ Kontrollera att luftnippeln är åtdragen och att klokopplingen är oskadad.
- ◆ Kontrollera gashandtagets funktion. Se till så att det rör sig fritt uppåt och nedåt.
- ◆ Kontrollera verktygshållarens funktion. Se till att det låser fast borrstålet.
- ◆ Byt omedelbart ut skadade delar.
- ◆ Byt ut slitna delar i god tid.
- ◆ Kontrollera alla bultar på maskinen och se till att de är åtdragna.
- ◆ Om maskinen är utrustad med en ljuddämpare ska denna kontrolleras för eventuella skador.

## Slitagekontroll

1. Kontrollera slitaget i borrbussningen med Atlas Copco tolk (3091 0038 00) (22 mm).

Om slitagegränsen har överskridits slits borrstålets nacke snabbare eller blir deformerad. Detta leder till driftstopp och ökad borrstålsförbrukning.



2. Kontrollera åtdragningen på sidobultarnas muttrar (A). Dra åt till ett åtdragningsmoment på 130 Nm.



3. Kontrollera bergborrens anslutning till matarbenet.
4. Kontrollera slangar, kopplingar och reglage för att se om det finns några läckor eller skador.



5. Kontrollera att bergborren och matarbenet får tillräckligt med smörjning. Fyll smörjapparaten vid behov.
6. Töm vattenavskiljaren.
7. Kontrollera luft- och vattentrycket. Se till att vattentrycket är åtminstone 1 bar lägre än lufttrycket.

## Kassering

En uttjänt maskin skall hanteras och kasseras på ett sådant sätt att största möjliga del av materialet kan återvinnas. All form av negativ inverkan på miljön skall i möjligaste mån undvikas och lokala begränsningar respekteras.

## Regelbundet underhåll

Efter varje driftsperiod om ungefär 100 arbetstimmar eller tre gånger om året måste maskinen tas isär och alla delar rengöras och kontrolleras. Detta arbete skall utföras av behörig personal som är utbildad för denna uppgift.

## Skademönster

Utslitna eller skadade delar måste alltid kontrolleras noggrant innan de byts ut. De kan ge viktig information om borrens skick och hur den används och underhålls.

Problem	Orsak
Ståldelar har en blåaktig färg	Delarna har utsatts för alltför hög värme. Detta kan ha orsakats av otillräcklig smörjning eller tomgång
Ståldelar har små, nästan mikroskopiska, sprickor på slitytorna	Se ovan
Det finns oregelbundna håligheter på ytan på bronsdelar	Se ovan
Det finns skärmärken	Sekundär skada Det finns smuts inuti borren
	Skevheter inuti bormaskinen på grund av ojämn åtdragning av sidobultarna

## Förvaring

- Olja alltid in bergborren ordentligt innan du lägger undan den för förvaring.
- Förvara alltid maskinen på en ren och torr plats.
- Se till att inga främmande föremål tränger in i maskinen.
- Skydda borrhylsan med hjälp av den plastplugg som medföljer maskinen. Alternativt går det även att använda en träplugg eller lite rent bomullstrassel.
- Vid långtidsförvaring ska du hälla lite olja direkt i bergborrens luftintag och sedan sätta på luften en liten stund. Detta skyddar maskinen mot korrosion.

# Tekniska specifikationer

## Felsökning

Problem	Orsak	Lösning
Minskad penetrationshastighet	Luftläckage i slangar, kopplingar	Byt packningar och, vid behov, delar av pådragsventilen
	Läckande huvudventil (vippventil)	Slipa huvudventilen så att den sluter tätt.
	Borrbusning	Kontrollera borrbusningen med tolken <sup>1</sup> så att denna inte är sliten. Den tillåtna slitagegränsen är nådd när mallen kan tryckas in så långt mellan sexkantshålets motsatta sidor att dess ansatser kommer i kontakt med bussningen
	Luftläckage orsakat av sliten kolv/cylinder	Byt kolven och/eller cylindern
Otillräcklig matningskraft	Luftläckage orsakat av sliten mellandel/styrtolk	Byt ut den slitna delen
	Isbildning i ljuddämparen	Låt isen smälta i rumstemperatur
	Kolvstångspackningen sliten eller deformerad	Byt ut packningen
Dålig rotation	Räfflor på vridmuttern är utslitna	Byt ut vridmuttern om räfflor är utslitna
	Räfflor på spärraxeln nedslitna	Byt ut spärraxeln vid behov
	Räfflor på kolven är utslitna	Byt ut kolven vid behov
	Kuggningen i spärranordningen	Byt ut spärrhuset om kugghuset är så utslitit att spärrarna har svårt att fastna
	Kuggningen i spärranordningen	Byt ut spärrhjulet om kuggningen är så utsliten att spärrhakarna har svårt att fastna
	Styrmuttern utsliten Spärrhakar slitna	Byt ut styrmuttern om räfflor är nedslitna till ½ räffelbredden Byt ut alla spärrar, spärrfjädrar och spärrstift
Ojämn gång	Kolven kärvar i mellandelen eller styrtappen	Byt ut mellandelen/styrtappen. Polera kolven vid behov. Kontrollera om kolven har värmeskador, exempelvis blåfärgning och/eller sprickor. Om den är skadad på detta sätt ska även kolven bytas.
	Smutsig eller skadad huvudventil. Orsakas av orenheter eller främmande föremål som har kommit in i borren med tryckluften	Rengör och polera ventilen så att den blir tät mot motsvarande cylindriska och plana tätningssytor. Om detta inte går på grund av att felen är alltför allvarliga måste ventilen bytas ut.
Ojämn gång (forts.)	Frysning. Orsakas av läckage i spolssystemet eller av för mycket vatten i tryckluften eller för högt vattentryck <sup>2</sup>	Kontrollera spolrören, packningarna och vattentrycket <sup>2</sup> . Töm ut vatten ur tryckluftssystemet. Om problemet kvarstår bör du montera en vattenavskiljare i luftledningssystemet.
	Sidobultarna är ojämnt eller otillräckligt åtdragna. Detta kan göra att olika delar förlorar sin inriktning, vilket leder till att de rörliga delarna kärvar. Onormala påfrestningar på sidobultarna kan resultera i att gängorna går sönder.	Kontrollera och reparera eventuella skador i kontaktpunkterna och dra åt sidobultarna med rätt åtdragningsmoment
Onormalt slitage på borrbusningen	Otillräcklig smörjning (kan orsaka möjlig sekundär skada)	Kontrollera borrbusningen med den specialkonstruerade tolken <sup>1</sup> . Den maximalt tillåtna slitagegränsen har nåtts när tolken <sup>1</sup> , som förts in mellan två motsatta plana ytor, når botten. Kontrollera vattentrycket <sup>2</sup> - det måste vara lägre än lufttrycket <sup>2</sup> .
Borren blir varm	Brist på olja	Fyll på olja och kontrollera att den rinner igenom. Det räcker inte med att det finns olja i frånluften. Det måste även finnas en oljefilm på borrstålets nacke. Kontrollera att smörjapparaten är ansluten i rätt riktning.
Frysning	Fukt i tryckluften	Använd vattenavskiljare
	Vattentrycket högre <sup>2</sup> än lufttrycket	Sänk vattentrycket
Trasigt vattenrör	Felaktig inriktning av nacken	Byt borrstål och/eller borrbusning
	Skadat spökhål i nacken	Byt borrstål
Flisor har gått ur kolvtoppen	Felaktig inriktning av nacken	Byt borrstål och/eller borrbusning
	Stort slitage på kolvtoppen	Byt kolv

Problem	Orsak	Lösning
Trasiga räfflor	Brist på smörjning	Sänk vattentrycket <sup>2</sup> om det är lika stort som eller högre än lufttrycket
		Öka smörjningen eller byt olja
Trasig kolv	Inträngning av smuts (särskilt vid borning uppåt)	Förkorta serviceintervallen
	Brist på smörjning	Sänk vattentrycket om det är lika stort som eller större än lufttrycket
		Öka smörjningen eller byt olja
	Ojämn åtdragning av sidobultarna	Dra åt sidobultarna korrekt
	Sliten mellandel/styrtapp (kan bekräftas genom ett stötdämpningstest)	Byt ut den slitna delen
Trasig sidobult	Ojämn åtdragning av sidobultarna	Dra åt sidobultarna korrekt

<sup>1</sup>Tolk för borrbusning 22 mm (7/8") sexkantsnacke Atlas Copco nr **3091 0038 00**.

<sup>2</sup>Använd Atlas Copco nr **9090 0550 80** för att kontrollera vatten- och lufttryck.

## Maskindata

Typ	Artikelnr.	Cylinderlopp mm (in.)	Slaglängd mm (in.)	Total längd mm (in.)	Vikt kg (lb)	Nacke mm (in.)
BBC 16W	8311 0401 10	70 (2¾)	55 (2½)	710 (28)	26.0 (57.3)	22 X 108 (7/8 x 4¼)
BBC 16WS	8311 0303 46	70 (2¾)	55 (2½)	710 (28)	27.0 (59.5)	22 X 108 (7/8 x 4¼)
BBC 34W	8311 0408 05	80 (3½)	70 (2¾)	775 (30½)	31.0 (68.3)	22 X 108 (7/8 x 4¼)
BBC 34WS	8311 0303 47	80 (3½)	70 (2¾)	775 (30½)	32.0 (70.5)	22 X 108 (7/8 x 4¼)

Typ	Luftförbrukning (6 bar) l/s (foot <sup>3</sup> /min)	Slaghastighet (6 bar) Hz	Håldiameter mm (in.)	Diameter på brotschat hål mm (in.)
BBC 16W	69 (146)	39	27-41 (1-1.6)	≤76 (≤3)
BBC 16WS	69 (146)	39	27-41 (1-1.6)	≤76 (≤3)
BBC 34W	88 (186)	38	27-41 (1-1.6)	≤76 (≤3)
BBC 34WS	88 (186)	38	27-41 (1-1.6)	≤76 (≤3)

## Buller- och vibrationsdeklaration

Garanterad ljudeffektnivå **L<sub>w</sub>** enligt ISO 3744 i enlighet med direktiv 2000/14/EG.

Ljudtrycksnivå **L<sub>p</sub>** enligt ISO 11203.

Vibrationsvärde **A** och osäkerhet **B** fastställt enligt ISO 5349-2. Se tabellen "Buller- och vibrationsdata" för värden på A, B etc.

Dessa deklarerade värdena har erhållits genom laborietester i enlighet med nämnda direktiv eller standarder och är lämpliga att jämföra med deklarerade värden för andra verktyg som testats i enlighet med samma direktiv eller standarder. Dessa deklarerade värden är inte lämpliga att använda vid riskbedömningar. Värden som uppmäts på enskilda arbetsplatser kan vara högre. De faktiska exponeringsvärdena och de skaderisker som en enskild användare utsätts för är unika och beror på personens arbetsätt, i vilket material maskinen används, användarens exponeringstid och fysiska kondition samt maskinens skick.

Atlas Copco Construction Tools AB kan inte hållas ansvarigt för konsekvenserna av att de deklarerade värdena används, istället för värden som återspeglar den faktiska exponeringen vid en enskild riskbedömning i en arbetsplatsituation över vilken Atlas Copco Construction Tools AB inte har någon kontroll.

Det här verktyget kan orsaka hand-/armvibrationssyndrom om det inte används på rätt sätt. En EU-guide som tar upp frågor om hand-/armvibrationer finns tillgänglig på <http://www.humanvibration.com/EU/VIBGUIDE.htm>

Vi rekommenderar någon form av hälsoövervakningsprogram för att upptäcka tidiga symptom som kan hänföras till exponering för vibrationer, så att åtgärder kan vidtas för att förebygga framtida försämring.

## Buller- och vibrationsdata

Typ	Buller		Vibrationer	
	Deklarerade värden		Deklarerade värden	
	Ljudtryck	Ljudeffekt	Värden i tre riktningar	
	ISO 11203	ISO 15744	ISO 5349-2	
	Lp r=1m dB(A) rel 20µPa	Lw garanterat dB(A) rel 1pW	A m/s <sup>2</sup> värde	B m/s <sup>2</sup> spridning
BBC 16W	111	122	16.6	-
BBC 16WS	103	114	16.6	-
BBC 34W	116	127	20.4	-
BBC 34WS	109	120	20.4	-

## Tillbehör

Beskrivning	Anmärkning	Antal	Artikelnummer
CLG 30, europeisk typ	För både mineral- och syntetolja	1	8202 5102 39
BLG 30, europeisk typ	För mineralolja	1	8202 5102 05
VAM 5A, europeisk typ	Luftflöde <120 l/s (254 ft <sup>3</sup> /min)	1	8092 0110 82
Gummislang, förmonterad	25 mm (1 in.), 3 m (10 ft)	1	9030 2051 00
X-LITE flatslang, universal	25 mm (1 in.), 20 m (65 ft)	1	9030 2111 00
Rock Drill AIR-OIL	10 l	1	8099 0201 10
Rock Drill AIR-OIL	208 l	1	8099 0201 28

## Matarben

Typ	Artikelnr.	Passar för bergbormaskin	Matningslängd mm	Längd indragen mm	Längd utdragen mm	Vikt kg	Cylinderlopp mm
<b>Enkelt teleskop</b>							
BMT 51	8321 0301 01	BBC 16W/WS, BBC 34W/WS	1300	1658	2958	15	60
ALF 71	8321 0201 94	BBC 16W/WS, BBC 34W/WS	1300	1805	3105	14	70
ALF 71-1	8321 0201 95	BBC 16W/WS, BBC 34W/WS	950	1455	2405	13	70
<b>Dubbelt teleskop</b>							
ALF 67/80	8321 0201 85	BBC 16W/WS, BBC 34W/WS	1855	1495	3350	17	67/80

## EG-deklaration om överensstämmelse

### EG-deklaration om överensstämmelse (EG-direktiv 2006/42/EG)

Vi, Atlas Copco Construction Tools AB, försäkrar härmed att nedanstående maskiner uppfyller bestämmelserna i EG-direktiv 2006/42/EG (Maskindirektivet), samt nedanstående harmoniserade standarder.

Bergbormaskiner (anpassade för matarben)	Artikelnummer	Maxtryck (bar)
BBC 16W	8311 0401 10	7
BBC 16WS	8311 0303 46	7
BBC 34W	8311 0408 05	7
BBC 34WS	8311 0303 47	7

#### Auktoriserad representant för teknisk dokumentation:

Erik Sigfridsson  
Atlas Copco Construction Tools AB  
Dragonvägen 2  
Kalmar

#### Produktbolagschef:

Erik Sigfridsson

#### Tillverkare:

Atlas Copco Construction Tools AB  
105 23 Stockholm  
Sweden

#### Ort och datum:

Kalmar, 2010-01-01







Any unauthorized use or copying of the contents or any part thereof is prohibited.  
This applies in particular to trademarks, model denominations, part numbers, and drawings.