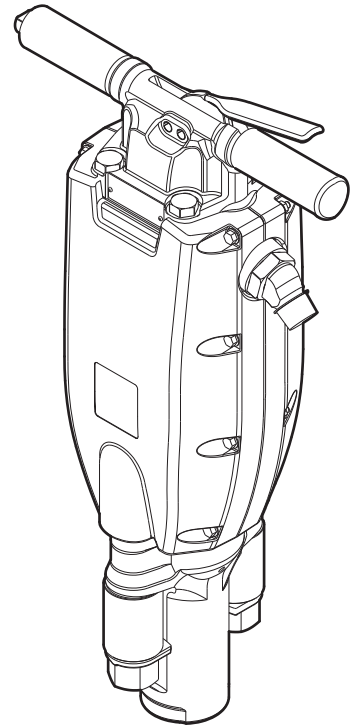


# Safety and operating instructions

## Handheld pneumatic spike drivers CP 1260 S SPDR, CP 1290 S SPDR

- (FR)** Prescriptions de sécurité et instructions pour l'opérateur  
Marteaux à crampons pneumatiques portatifs
- (DE)** Sicherheits- und Betriebsanleitung  
Hand-Druckluftnagelhämmer
- (ES)** Instrucciones de seguridad y de funcionamiento  
Håndholdte trykluftdrevne værktøjer til montering af spiger
- (PT)** Instruções de segurança e operação  
Cravadores de espigões pneumáticos manuais
- (IT)** Istruzioni per la sicurezza e per l'uso  
Martelli battitori pneumatici manuali
- (NL)** Veiligheidsvoorschriften en bedieningshandleiding  
Handbediende pneumatische spijkermachines
- (GR)** Οδηγίες ασφάλειας και χειρισμού  
Φορητά πνευματικά μηχανήματα οδήγησης βελονών
- (FI)** Turvallisuusohjeet ja käyttöohje  
Käsi­käyttöiset paineilmapii­k­kiva­sa­rat
- (DK)** Sikkerhedsinstruktioner og betjeningsvejledning  
Håndholdte trykluftdrevne værktøjer til montering af spiger
- (NO)** Sikkerhetsinstrukser og bruksanvisning  
Håndholdte pneumatiske spikerpistoler
- (SE)** Säkerhetsinstruktion och instruktionsbok  
Handhållna tryckluftsdrevna spikhammare





# Contents

<b>ENGLISH</b> .....	4
<b>FRANÇAIS</b> .....	20
<b>DEUTSCH</b> .....	38
<b>ESPAÑOL</b> .....	56
<b>PORTUGUÊS</b> .....	72
<b>ITALIANO</b> .....	88
<b>NEDERLANDS</b> .....	104
<b>ΕΛΛΗΝΙΚΑ</b> .....	120
<b>SUOMI</b> .....	138
<b>DANSK</b> .....	154
<b>NORSK</b> .....	170
<b>SVENSKA</b> .....	186

**ENGLISH**

**Contents**

**Introduction** ..... 5

**About the Safety and operating instructions** ..... 5

**Safety instructions** ..... 6

    Safety signal words ..... 6

    Personal precautions and qualifications ..... 6

    Installation, precautions ..... 6

    Operation, precautions ..... 7

    Maintenance, precautions ..... 10

    Storage, precautions ..... 10

**Overview** ..... 11

    Design and function ..... 11

    Main parts ..... 11

    Labels ..... 11

**Installation** ..... 12

    Hoses and connections ..... 12

    Methods to prevent freezing ..... 12

    Connecting a water separator ..... 12

    Lubrication ..... 12

**Operation** ..... 13

    Start and stop ..... 13

    Operating ..... 13

    When taking a break ..... 13

**Maintenance** ..... 13

    Every day ..... 14

    Assembly instructions ..... 14

    Periodic maintenance ..... 15

    Tightening torques ..... 15

**Troubleshooting** ..... 16

**Storage** ..... 16

**Disposal** ..... 16

**Technical data** ..... 17

    Machine data ..... 17

    Noise and vibration declaration statement ..... 17

    Noise and vibration data ..... 17

**EC Declaration of Conformity** ..... 18

    EC Declaration of Conformity (EC Directive 2006/42/EC) ..... 18

Crowder Supply Co., Inc. • 8495 Roslyn St., Commerce City, CO 80022 • Toll Free: 888-883-5144 • www.CrowderSupply.com

## Introduction

Thank you for choosing Chicago Pneumatic brand products. For over a century, the Chicago Pneumatic brand has represented performance and innovation in the pneumatic tool industry.

Today the brand is found around the world on a range of pneumatic and hydraulic tools that includes breakers, rock drills, chipping hammers, clay-diggers, picks and busters, scabblers, pumps and a whole lot more.

The Chicago Pneumatic brand is associated with powerful and reliable products that are easy to maintain and that give good value for the money.

For more information please visit [www.cp.com](http://www.cp.com)

Atlas Copco Construction Tools AB  
Box 703  
391 27 Kalmar  
Sweden

## About the Safety and operating instructions

The aim of the instructions is to provide you with knowledge of how to use the pneumatic spike driver in an efficient, safe way. The instructions also give you advice and tell you how to perform regular maintenance on the pneumatic spike driver.

Before using the pneumatic spike driver for the first time you must read these instructions carefully and understand all of them.

## Safety instructions

To reduce the risk of serious injury or death to yourself or others, read and understand the Safety and operating instruction before installing, operating, repairing, maintaining, or changing accessories on the machine.

Post this Safety and operating instruction at work locations, provide copies to employees, and make sure that everyone reads the Safety and operating instruction before operating or servicing the machine.

In addition, the operator or the operator's employer must assess the specific risks that may be present as a result of each use of the machine.

## Safety signal words

The safety signal words Danger, Warning and Caution have the following meanings:

<b>DANGER</b>	Indicates a hazardous situation which, if not avoided, will result in death or serious injury.
<b>WARNING</b>	Indicates a hazardous situation which, if not avoided, could result in death or serious injury.
<b>CAUTION</b>	Indicates a hazardous situation which, if not avoided, could result in minor or moderate injury.

## Personal precautions and qualifications

Only qualified and trained persons may operate or maintain the machine. They must be physically able to handle the bulk, weight, and power of the tool. Always use your common sense and good judgement.

### Personal protective equipment

Always use approved protective equipment. Operators and all other persons in the working area must wear protective equipment, including at a minimum:

- > Protective helmet
- > Hearing protection
- > Impact resistant eye protection with side protection
- > Respiratory protection when appropriate
- > Protective gloves
- > Proper protective boots
- > Appropriate work overall or similar clothing (not loose-fitting) that covers your arms and legs.

### Drugs, alcohol or medication

#### ▲ **WARNING** Drugs, alcohol or medication

Drugs, alcohol or medication may impair your judgment and powers of concentration. Poor reactions and incorrect assessments can lead to severe accidents or death.

- ▶ Never use the machine when you are tired or under the influence of drugs, alcohol or medication.
- ▶ No person who is under the influence of drugs, alcohol or medication may operate the machine.

## Installation, precautions

#### ▲ **DANGER** Whipping air hose

A compressed air hose that comes loose can lash around and cause personal injury or death. To reduce this risk:

- ▶ Check that the compressed air hose and the connections are not damaged, replace if necessary.
- ▶ Check that all compressed air connections are properly attached.
- ▶ Never carry a pneumatic machine by the air hose.
- ▶ Never attempt to disconnect a compressed air hose that is pressurized. First switch off the compressed air at the compressor and then bleed the machine by activating the start and stop device.
- ▶ Do not use quick disconnect couplings at tool inlet. Use hardened steel (or material with comparable shock resistance) threaded hose fittings.
- ▶ Whenever universal twist couplings (claw couplings) are used, we recommend that lock pins are installed and whipcheck safety cables are used to safeguard against possible hose to tool and hose to hose connection failure.
- ▶ Never point a compressed air hose at yourself or anyone else. To avoid the risk of getting injured, never use compressed air to blow for example dust, dirt etc. from your clothes.

## Operation, precautions

### ▲ DANGER Explosion hazard

If a spike comes into contact with explosives or explosive gases, an explosion could occur. When working on certain materials and when using certain materials in machine parts, sparks and ignition can occur. Explosions will lead to severe injuries or death.

- ▶ Never operate the machine in any explosive environment.
- ▶ Never use the machine near flammable materials, fumes or dust.
- ▶ Make sure that there are no undetected sources of gas or explosives.

### ▲ WARNING Unexpected movements

The spike driver is exposed to forces when in use. The forces can cause sudden and unexpected movement that can cause injuries. Furthermore, losing your balance or slipping may cause injury.

- ▶ Make sure that you always keep a stable position with your feet as far apart as your shoulder width, and keeping a balanced body weight.
- ▶ Always inspect the equipment prior to use. Never use the equipment if you suspect that it is damaged.
- ▶ Make sure that the handles are clean and free of grease and oil.
- ▶ Keep hands and feet away from the spike.
- ▶ Stand firmly and always hold on to the machine with both hands.
- ▶ Never start the machine when it is lying on the ground.
- ▶ Never 'ride' on the machine with one leg over the handle.
- ▶ Never strike or abuse the equipment.
- ▶ Never direct air at yourself or anyone else.
- ▶ Cold air shall be directed away from hands.
- ▶ Pay attention and look at what you are doing.

### ▲ WARNING Dust and fume hazard

Dusts and/or fumes generated or dispersed when using the machine may cause serious and permanent respiratory disease, illness, or other bodily injury (for example, silicosis or other irreversible lung disease that can be fatal, cancer, birth defects, and/or skin inflammation).

Some dusts and fumes created by drilling, breaking, hammering, sawing, grinding and other construction activities contain substances known to the State of California and other authorities to cause respiratory disease, cancer, birth defects, or other reproductive harm. Some examples of such substances are:

- > Crystalline silica, cement, and other masonry products.
- > Arsenic and chromium from chemically-treated rubber.
- > Lead from lead-based paints.

Dust and fumes in the air can be invisible to the naked eye, so do not rely on eye sight to determine if there is dust or fumes in the air.

To reduce the risk of exposure to dust and fumes, do all of the following:

- ▶ Perform site-specific risk assessment. The risk assessment should include dust and fumes created by the use of the machine and the potential for disturbing existing dust.
- ▶ Use proper engineering controls to minimize the amount of dust and fumes in the air and to minimize build-up on equipment, surfaces, clothing, and body parts. Examples of controls include: exhaust ventilation and dust collection systems, water sprays, and wet drilling. Control dusts and fumes at the source where possible. Make sure that controls are properly installed, maintained and correctly used.
- ▶ Wear, maintain and correctly use respiratory protection as instructed by your employer and as required by occupational health and safety regulations. The respiratory protection must be effective for the type of substance at issue (and if applicable, approved by relevant governmental authority).
- ▶ Work in a well ventilated area.
- ▶ If the machine has an exhaust, direct the exhaust so as to reduce disturbance of dust in a dust filled environment.
- ▶ Operate and maintain the machine as recommended in the operating and safety instructions

- ▶ Select, maintain and replace consumables/ working tools/ other accessories as recommended in the operating and safety instructions. Incorrect selection or lack of maintenance of consumables/ inserted tools/ other accessories may cause an unnecessary increase in dust or fumes.
- ▶ Wear washable or disposable protective clothes at the worksite, and shower and change into clean clothes before leaving the worksite to reduce exposure of dust and fumes to yourself, other persons, cars, homes, and other areas.
- ▶ Avoid eating, drinking, and using tobacco products in areas where there is dust or fumes.
- ▶ Wash your hands and face thoroughly as soon as possible upon leaving the exposure area, and always before eating, drinking, using tobacco products, or making contact with other persons.
- ▶ Comply with all applicable laws and regulations, including occupational health and safety regulations.
- ▶ Participate in air monitoring, medical examination programs, and health and safety training programs provided by your employer or trade organizations and in accordance with occupational health and safety regulations and recommendations. Consult with physicians experienced with relevant occupational medicine.
- ▶ Work with your employer and trade organization to reduce dust and fume exposure at the worksite and to reduce the risks. Effective health and safety programs, policies and procedures for protecting workers and others against harmful exposure to dust and fumes should be established and implemented based on advice from health and safety experts. Consult with experts.
- ▶ Residues of hazardous substances on the machine can be a risk. Before undertaking any maintenance on the machine, clean it thoroughly.

### ▲ **WARNING**    **Projectiles**

Failure of the work piece, of accessories, or even of the machine itself may generate high velocity projectiles. During operating, splinters or other particles from the working material may become projectiles and cause personal injury by striking the operator or other persons. To reduce these risk:

- ▶ Use approved personal protective equipment and safety helmet, including impact resistant eye protection with side protection.
- ▶ Make sure that no unauthorised persons trespass into the working zone.
- ▶ Keep the workplace free from foreign objects.
- ▶ Ensure that the spike is securely fixed.

### ▲ **WARNING**    **Spike driving hazard**

If the spike is not securely fixed into the work piece before operating the machine, there is a risk of personal injury.

- ▶ Always make sure to secure the spike before operating the machine.
- ▶ Never hold or touch the spike when driving.

### ▲ **WARNING**    **Slipping, tripping and falling hazards**

There is a risk of slipping or tripping or falling, for example tripping on the hoses or on other objects. Slipping or tripping or falling can cause injury. To reduce this risk:

- ▶ Always make sure that no hose or other object is in your way or in any other person's way.
- ▶ Always make sure you are in a stable position with your feet as far apart as your shoulders width and keeping a balanced body weight.

### ▲ **WARNING**    **Motion hazards**

When using the machine to perform work-related activities, you may experience discomfort in the hands, arms, shoulders, neck, or other parts of the body.

- ▶ Adopt a comfortable posture whilst maintaining secure footing and avoiding awkward off-balanced postures.
- ▶ Changing posture during extended tasks may help avoid discomfort and fatigue.
- ▶ In case of persistent or recurring symptoms, consult a qualified health professional.



**▲ WARNING Vibration hazards**

Normal and proper use of the machine exposes the operator to vibration. Regular and frequent exposure to vibration may cause, contribute to, or aggravate injury or disorders to the operator's fingers, hands, wrists, arms, shoulders and/or nerves and blood supply or other body parts, including debilitating and/or permanent injuries or disorders that may develop gradually over periods of weeks, months, or years. Such injuries or disorders may include damage to the blood circulatory system, damage to the nervous system, damage to joints, and possibly damage to other body structures.

If numbness, persistent recurring discomfort, burning sensation, stiffness, throbbing, tingling, pain, clumsiness, weakened grip, whitening of the skin, or other symptoms occur at any time, when operating the machine or when not operating the machine, stop operating the machine, tell your employer and seek medical attention. Continued use of the machine after the occurrence of any such symptom may increase the risk of symptoms becoming more severe and/or permanent.

Operate and maintain the machine as recommended in these instructions, to prevent an unnecessary increase in vibration.

The following may help to reduce exposure to vibration for the operator:

- ▶ Let the tool do the job. Use a minimum hand grip consistent with proper control and safe operation.
- ▶ If the machine has vibration absorbing handles, keep them in a central position, avoid pressing the handles into the end stops.
- ▶ When the percussion mechanism is activated, the only body contact with the machine you should have are your hands on the handle or handles. Avoid any other contact, for example supporting any part of the body against the machine or leaning onto the machine trying to increase the feed force. It is also important not to keep the start and stop device engaged while extracting the tool from the work surface.
- ▶ Make sure that the inserted tool is well-maintained (including sharpness, if a cutting tool), not worn out, and of the proper size. Insertion tools that are not well-maintained, or that are worn out, or that are not of the proper size result in longer time to complete a task (and a longer period of exposure to vibration) and may result in or contribute to higher levels of vibration exposure.
- ▶ Immediately stop working if the machine suddenly starts to vibrate strongly. Before resuming the work, find and remove the cause of the increased vibrations.
- ▶ Never grab, hold or touch the inserted tool when using the machine.

- ▶ Participate in health surveillance or monitoring, medical exams and training programs offered by your employer and when required by law.
- ▶ When working in cold conditions wear warm clothing and keep hands warm and dry.
- ▶ The exhaust air is strongly chilled and shall not make contact with the operator. Always direct the exhaust air away from hands and body.

See the "Noise and vibration declaration statement" for the machine, including the declared vibration values. This information can be found at the end of these Safety and operating instructions.

- ◆ Comply with the recommended air-pressure when operating the machine. Either higher or lower air-pressure has the potential of resulting in higher levels of vibration.

**▲ DANGER Electrical hazard**

The machine is not electrically insulated. If the machine comes into contact with electricity, serious injuries or death may result.

- ▶ Never operate the machine near any electric wire or other source of electricity.
- ▶ Make sure that there are no concealed wires or other sources of electricity in the working area.

**▲ WARNING Concealed object hazard**

During operating, concealed wires and pipes constitute a danger that can result in serious injury.

- ▶ Check the composition of the material before operating.
- ▶ Watch out for concealed cables and pipes for example electricity, telephone, water, gas and sewage lines etc.
- ▶ If the spike seems to have hit a concealed object, switch off the machine immediately.
- ▶ Make sure that there is no danger before continuing.

**▲ WARNING Involuntary start**

Involuntary start of the machine may cause injury.

- ▶ Keep your hands away from the start and stop device until you are ready to start the machine.
- ▶ Learn how the machine is switched off in the event of an emergency.
- ▶ Release the start and stop device immediately in all cases of power supply interruption.
- ▶ Before undertaking any kind of maintenance, installation, inspection or cleaning; switch off the air supply, bleed the machine by activating the start and stop device and disconnect the machine from the power source.

**▲ WARNING    Noise hazard**

High noise levels can cause permanent and disabling hearing loss and other problems such as tinnitus (ringing, buzzing, whistling or humming in the ears). To reduce risk and prevent an unnecessary increase in noise levels:

- ▶ Risk assessment of these hazards and implementation of appropriate controls is essential.
- ▶ Operate and maintain the machine as recommended in these instructions.
- ▶ If the machine has a muffler, check that it is in place and in good working condition.
- ▶ Always use hearing protection.

## **Maintenance, precautions**

---

**▲ WARNING    Machine modification**

Any machine modification may result in bodily injuries to yourself or others.

- ▶ Never modify the machine. Modified machines are not covered by warranty or product liability.
- ▶ Always use original parts and accessories.
- ▶ Change damaged parts immediately.
- ▶ Replace worn components in good time.

## **Storage, precautions**

---

- ◆ Keep the machine and tools in a safe place, out of the reach of children and locked up.

## Overview

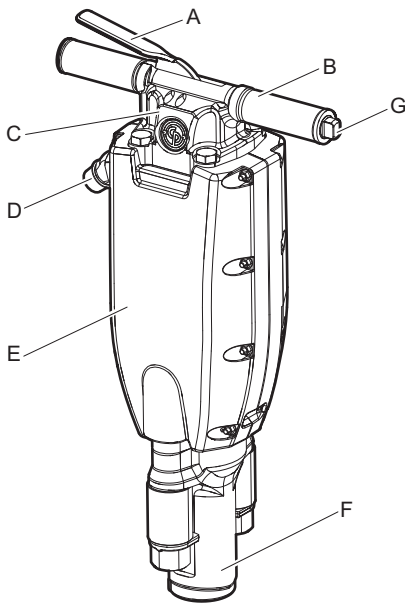
To reduce the risk of serious injury or death to yourself or others, read the Safety instructions section found on the previous pages of this manual before operating the machine.

## Design and function

CP 1260 S SPDR and CP 1290 S SPDR are designed for driving spikes in railroad, tent, construction, and plant maintenance applications.

They have an open front head which accepts a variety of objects for driving. The maximum head diameter of objects is 1 3/4 in. (44 mm). The pneumatic spike drivers are designed for vertical use only. No other use is permitted.

## Main parts

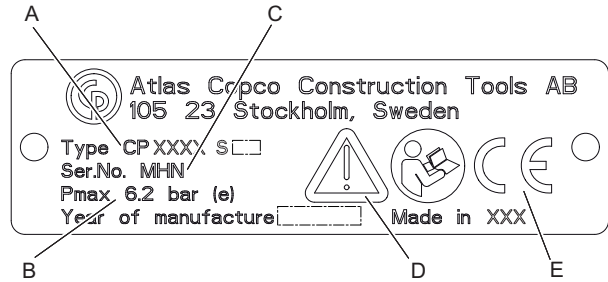


- A. Start and stop device
- B. Handle
- C. Back head
- D. Air intake
- E. Muffler
- F. Front head
- G. Oiler

## Labels

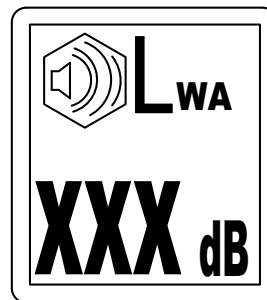
The machine is fitted with labels containing important information about personal safety and machine maintenance. The labels must be in such condition that they are easy to read. New labels can be ordered from the spare parts list.

### Data plate



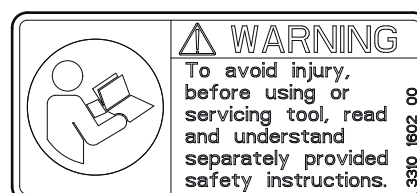
- A. Machine type
- B. Maximum permitted compressed air pressure
- C. Serial number
- D. The warning symbol together with the book symbol means that the user must read the safety and operating instructions before the machine is used for the first time.
- E. The CE symbol means that the machine is EC-approved. See the EC declaration which is delivered with the machine for more information. If the CE symbol is missing, it means that the machine is not EC-approved.

### Noise level label



The label indicates the guaranteed noise level corresponding to EC-directive 2000/14/EC. See "Technical data" for accurate noise level.

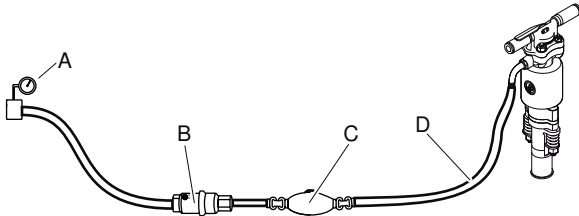
### Safety label



To avoid injury, before using or servicing tool, read and understand separately provided safety instructions.

## Installation

### Hoses and connections



- A. Compressed air source
  - B. Water separator (optional)
  - C. Oiler (optional)
  - D. Max. 10 feet (3 meter) compressed air hose between the oiler and the machine.
- ◆ Check that you are using the correct recommended operating pressure, 87 psig (6 bar (e)).
  - ◆ The maximum permissible air pressure, 90 psig (6.2 bar (e)), must not be exceeded.
  - ◆ Blow any impurities out of the compressed air hose before connecting it to the machine.
  - ◆ Select the correct dimension and length for the compressed air hose. For hose lengths up to 100 feet (30 meters), a hose with a minimum internal diameter of 3/4 in. (19 mm) should be used. If the hose length is between 100 and 330 feet (30 and 100 meters), a hose with a minimum internal diameter of 1 in. (25 mm) should be used.

### Methods to prevent freezing

Ice formation in the muffler can occur when the ambient air temperature is 32-50 °F (0-10 °C) and the relative humidity is high.

The machine is designed to avoid the formation of ice in the muffler. Despite this, under extreme conditions ice can form in the muffler.

The following actions can be taken to further counteract the risk of ice formation:

- ◆ Use CP Airolene Plus Tool Oil as a lubricant. CP Airolene Plus Tool Oil counteracts freezing.
- ◆ Use a water separator.

## Connecting a water separator

The length of the air hose between the compressor and the water separator must be such that the water vapor is cooled and condenses in the hose before reaching the water separator.

If the ambient temperature is below 32 °F (0 °C) the hose must be short enough to prevent the water from freezing before reaching the water separator.

## Lubrication

### Lubrication

The lubricant is important for the machine's function and has a great impact on the service life. In order to supply the correct volume of oil, an oiler should be connected to the air hose. The use of a Chicago Pneumatic air line oiler is recommended. To guarantee good lubrication, the length of the air hose between the oiler and the pneumatic tool should not exceed 10 feet (3 m).

Too much lubrication can cause starting problems, low power or uneven performance.

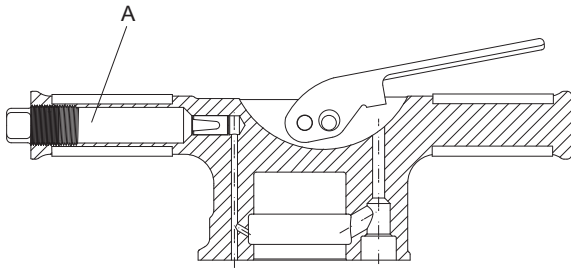
Use a synthetic lubricant such as CP Airolene Plus Tool Oil or mineral oil with the properties recommended in the table below.

Lubricant	Temperature range °F (°C)	Viscosity
CP Airolene Plus Tool Oil	-4 to +120 (-20 to +50)	-
Air tool oil	-4 to +60 (-20 to +15)	100-150 SUS (ISO VG 22-32)
Air tool oil	+60 to +120 (+15 to +50)	225-350 SUS (ISO VG 46-68)

It is recommended that the oil contains a rust-inhibitor.

### Checking the level and filling lubricant

- ◆ Oil levels should be checked daily.
- ◆ Wipe clean around the oil plug and remove it.
- ◆ Check that the threads are not damaged or worn out.
- ◆ Any part with damaged or worn out threads must be replaced.
- ◆ Fill lubricant in (A).



- ◆ Tighten the plug firmly and wipe off any excessive oil.

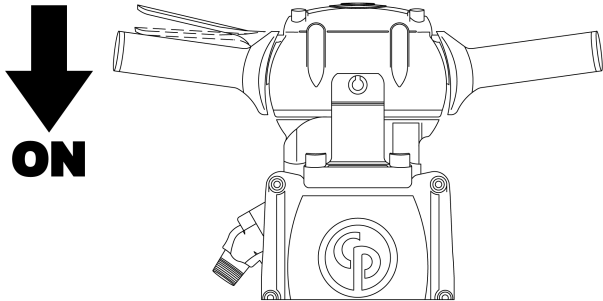
## Operation

### ▲ **WARNING Involuntary start**

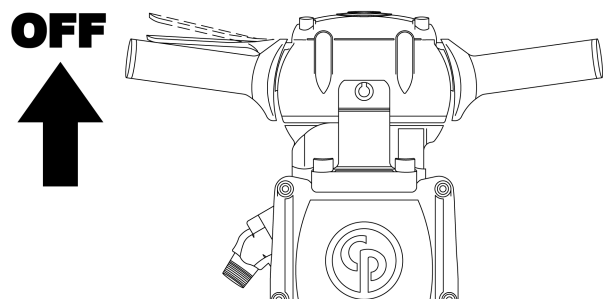
Involuntary start of the machine may cause injury.

- ▶ Keep your hands away from the start and stop device until you are ready to start the machine.
- ▶ Learn how the machine is switched off in the event of an emergency.
- ▶ Stop the machine immediately in all cases of power supply interruption.

## Start and stop



Start the pneumatic spike driver by pressing down the start and stop device.



Stop the pneumatic spike driver by releasing the start and stop device. The start and stop device will automatically return to the stop position.

## Operating

- ◆ Make sure spikes that are to be driven are properly set.
- ◆ Place the spike driver on top of the spike and align the spike driver with spike.
- ◆ Stand in a stable position with your feet well away from the spike.
- ◆ Apply a steady pressure on the spike and start driving.
- ◆ Release the start stop device when the spike is properly seated.
- ◆ Let the machine do the work; do not press too hard.
- ◆ Any form of idling or operating with an uplifted machine must be avoided.
- ◆ When the machine is lifted, the start and stop device must not be activated.
- ◆ Check regularly that the machine is well lubricated.

*NOTICE* Never hold or touch the spike when driving.

## When taking a break

- ◆ During all breaks you must place the machine in such a way that there is no risk for it to be unintentionally started. Make sure to place the machine on the ground, so that it can not fall.
- ◆ In the event of a longer break or when leaving the workplace: Switch off the power supply and then bleed the machine by activating the start and stop device.

## Maintenance

Regular maintenance is a basic requirement for the continued safe and efficient use of the machine. Follow the maintenance instructions carefully.

- ◆ Before starting maintenance on the machine, clean it in order to avoid exposure to hazardous substances. See “Dust and fume hazards”
- ◆ Use only authorised parts. Any damage or malfunction caused by the use of unauthorised parts is not covered by warranty or product liability.
- ◆ When cleaning mechanical parts with solvent, comply with appropriate health and safety regulations and ensure there is satisfactory ventilation.
- ◆ For major service of the machine, contact the nearest authorised workshop.
- ◆ After each service, check that the machine's vibration level is normal. If not, contact the nearest authorised workshop.

## Every day

Before undertaking any maintenance on pneumatic machines, always switch off the air supply and bleed the machine by depressing the start and stop device. Then disconnect the air hose from the machine.

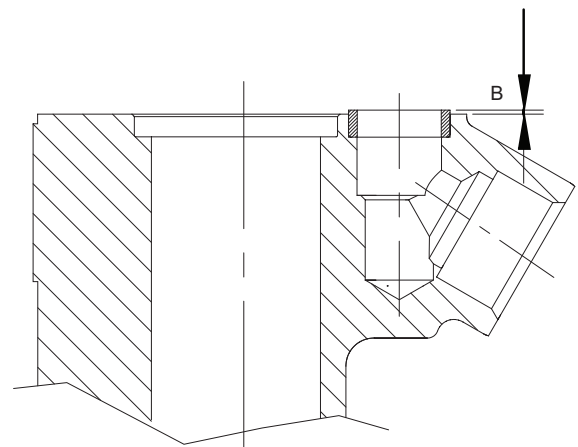
- ◆ Clean and inspect the machine and its functions each day before the work commences.
- ◆ Conduct a general inspection for leaks and damage.
- ◆ Check that the air inlet nipple is tightened and that the claw coupling is free from damage.
- ◆ Change damaged parts immediately.
- ◆ Replace worn components in good time.
- ◆ Make sure that all the attached and related equipment, such as hoses, water separators, and oilers are properly maintained.

## Assembly instructions

Reasonable care must be taken during assembly and disassembly of the tool to avoid burring, scoring or distortion of closely fitting precision built parts.

1. Check all metal to metal surfaces for nicks and burrs before and during assembly.
2. Before re-assembly, lubricate all O-rings and coat all moving parts of tool with recommended lubricants.
3. During assembly, take care to keep dirt out of the tool, particularly between mating surfaces.

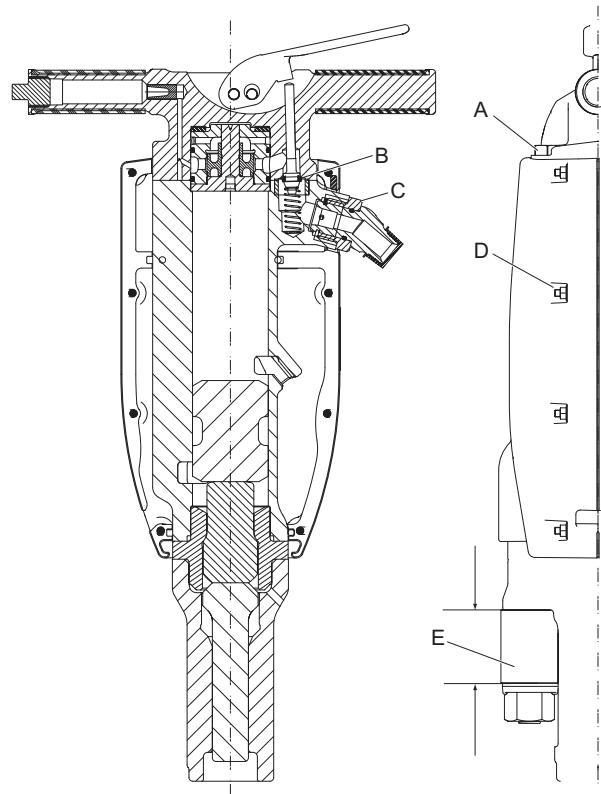
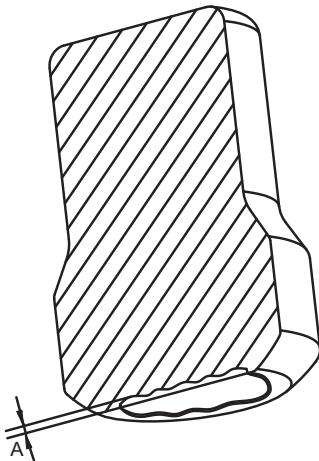
4. The front head bolts must be tightened so that the buffers are evenly compressed to the assembled length given in section "Tightening torques".
5. When assembly is complete pour about ½ oz. (1.5cl) of the recommended oil into the air inlet and operate the pneumatic spike driver at reduced throttle for 10–15 seconds. When operating the pneumatic spike driver on the floor, do so at reduced throttle to avoid damage to piston, anvil block, and front head.
6. Before assembling the back head onto the cylinder, check that the seal protrudes approximately (B) 1/16 in. (1.6 mm) from the face of the cylinder.



## Periodic maintenance

After each operating period of approximately 150 impact hours or twice a year the machine must be dismantled and all parts be cleaned and checked. This work must be performed by authorized staff, trained for this task.

1. Be sure that mating surfaces are clean and smooth and that the bolts are tight.
2. Thoroughly clean and inspect internal parts and make sure they are free from rust, grit and foreign matter.
3. Thoroughly clean and inspect valve parts. Be sure that the valve moves freely.
4. Make sure that striking faces on the anvil block are parallel and flat. If the block is cupped, grind off high edges but do not touch the polished face where the anvil strikes the steel shank. Maximum allowed wear (A)  $\frac{1}{32}$  in. (1 mm). See illustration shown below.



- A. Torque: CP 1260 S SPDR and CP 1290 S SPDR, 100 lbf.ft (135 Nm).
- B. The cylinder seal must protrude approximately  $\frac{1}{16}$  in. (1.6 mm) before assembly of the back head.
- C. Torque: 150 lbf.ft (200 Nm). Apply Loctite® 263™ (Loctite is a registered trademark of Henkel Corporation. 263 is a trademark of Henkel Corporation).
- D. Torque, Muffer 6–7 lbf.ft (8–10 Nm).
- E. Assembled length of buffer.

## Tightening torques

**NOTICE** When fitting a claw coupling or other connector to the swivel, Loctite® 263™ (Loctite is a registered trademark of Henkel Corporation. 263 is a trademark of Henkel Corporation) or similar has to be used.

Model	Min-Max length in. (mm)
CP 1260 S SPDR	2.14 -2.19 (54.4–55.6)
CP 1290 S SPDR	2.55 –2,61 (64,8–66,2)

## Troubleshooting

If the pneumatic machine does not start, has low power or uneven performance, check the following points.

- ◆ Check that the pneumatic machine is getting the correct amount of lubricant. Too much lubrication can cause starting problems, low power or uneven performance.
- ◆ Check that the compressed air system supplies the machine with sufficient air pressure to give full power.
- ◆ Check that the dimension and length of the air hose are according to the recommendations. See “Installation”.
- ◆ If there is a risk of freezing, check that the machine's exhaust ports are not blocked.
- ◆ If the machine function is still not satisfactory after this procedure, contact an authorised service workshop.

## Storage

- > Clean the machine properly before storage, in order to avoid hazardous substances. See “Dust and fume hazard”
- > Pour approximately 1/2 oz (5 cl) of oil directly into the air inlet nipple, connect the machine to the compressed air supply and start it for a few seconds.
- > Always store the machine in a dry place.

## Disposal

A used machine must be treated and disposed of in such a way that the greatest possible portion of the material can be recycled and any negative influence on the environment is kept as low as possible, and in respect to local restrictions.



# Technical data

## Machine data

Type	Maximum head diameter in. (mm)	Weight lb (kg)	Length in. (mm)	Impact freq. bpm (Hz)	Air Consumption cfm (l/s)
CP 1260 S SPDR	1¼ (44)	65 (29.5)	24.7 (625)	1300 (21.5)	73 (34.5)
CP 1290 S SPDR	1¼ (44)	84 (38)	26 (660)	1100 (18.3)	91 (43)

## Noise and vibration declaration statement

Guaranteed sound power level **L<sub>w</sub>** according to EN ISO 3744 in accordance with directive 2000/14/EC.

Sound pressure level **L<sub>p</sub>** according to EN ISO 11203.

Vibration value **A** and uncertainty **B** determined according to EN ISO 20643. See table "Noise and vibration data" for the values of A, B, etc.

These declared values were obtained by laboratory type testing in accordance with the stated directive or standards and are suitable for comparison with the declared values of other tools tested in accordance with the same directive or standards. These declared values are not suitable for use in risk assessments and values measured in individual work places may be higher. The actual exposure values and risk of harm experienced by an individual user are unique and depend upon the way the user works, in what material the machine is used, as well as upon the exposure time and the physical condition of the user, and the condition of the machine.

We, Atlas Copco Construction Tools AB, cannot be held liable for the consequences of using the declared values, instead of values reflecting the actual exposure, in an individual risk assessment in a work place situation over which we have no control.

This tool may cause hand-arm vibration syndrome if its use is not adequately managed. An EU guide to managing hand-arm vibration can be found at <http://www.humanvibration.com/humanvibration/EU/VIBGUIDE.html>

We recommend a programme of health surveillance to detect early symptoms which may relate to vibration exposure, so that management procedures can be modified to help prevent future impairment.

## Noise and vibration data

Type	Noise		Vibration	
	Sound pressure	Sound power	Three axes values	
	Declared values		Declared values	
	EN ISO 11203	2000/14/EC	EN ISO 20643	
	<b>L<sub>p</sub></b> r=1m dB(A) rel 20µPa	<b>L<sub>w</sub></b> guaranteed dB(A) rel 1pW	<b>A</b> m/s <sup>2</sup> value	<b>B</b> m/s <sup>2</sup> spreads
CP 1260 S SPDR	97	110	20.7	2.5
CP 1290 S SPDR	98	111	18.4	2.3

# EC Declaration of Conformity

## EC Declaration of Conformity (EC Directive 2006/42/EC)

We, Atlas Copco Construction Tools AB, hereby declare that the machines listed below conform to the provisions of EC Directive 2006/42/EC (Machinery Directive) and 2000/14/EC (Noise Directive), and the harmonised standards mentioned below.

Handheld pneumatic spike drivers	Guaranteed sound power level [dB(A)]	Measured sound power level [dB(A)]	Pmax (bar)
CP 1260 S SPDR	110	108	6.2
CP 1290 S SPDR	111	109	6.2

### Following harmonised standards were applied:

- ◆ EN ISO 11148-4

### Following other standards were applied:

- ◆ Lloyds Register Quality Assurance, NoBo no.0088

### Technical Documentation authorised representative:

Per Forsberg  
 Atlas Copco Construction Tools AB  
 Dragonvägen 2  
 Kalmar

### Vice president Design and Development:

Erik Sigfridsson

### Manufacturer:

Atlas Copco Construction Tools AB  
 391 27 Kalmar  
 Sweden

### Place and date:

Kalmar, 2012-11-30



## FRANÇAIS

**Sommaire**

<b>Introduction</b> .....	21
<b>À propos des prescriptions de sécurité et des instructions pour l'opérateur</b> .....	21
<b>Consignes de sécurité</b> .....	22
Indications de sécurité.....	22
Précautions et qualifications du personnel.....	22
Installation, précautions.....	22
Fonctionnement, précautions.....	23
Maintenance, précautions.....	27
Stockage, précautions.....	27
<b>Vue d'ensemble</b> .....	28
Conception et fonctionnement.....	28
Principales pièces.....	28
Étiquettes.....	28
<b>Installation</b> .....	29
Flexibles et connexions.....	29
Mesures de prévention du gel.....	29
Branchement d'un séparateur d'eau.....	30
Lubrification.....	30
<b>Commande</b> .....	30
Marche/arrêt.....	30
Utilisation.....	31
Lors des pauses.....	31
<b>Maintenance</b> .....	31
Chaque jour.....	31
Instructions d'assemblage.....	31
Maintenance périodique.....	32
Couples de serrage.....	32
<b>Recherche de pannes</b> .....	34
<b>Stockage</b> .....	34
<b>Destruction d'une machine usagée</b> .....	34
<b>Caractéristiques techniques</b> .....	35
Caractéristiques de la machine.....	35
Énoncé déclaratif sur les vibrations et le bruit.....	35
Données relatives au bruit et aux vibrations.....	35
<b>Déclaration CE de conformité</b> .....	36
Déclaration CE de conformité (Directive 2006/42/CE).....	36

## Introduction

Nous vous remercions d'avoir choisi un produit Chicago Pneumatic. Depuis plus d'un siècle, la marque Chicago Pneumatic est synonyme de performance et d'innovation dans le secteur des outils pneumatiques.

Aujourd'hui, la société offre une vaste gamme d'outils pneumatiques et hydrauliques comprenant brise-béton, trépan, marteaux burineurs, marteaux-bêches, pioches et défricheuses, bouchardeuses, pompes et bien d'autres outils.

La marque Chicago Pneumatic est associée avec des produits puissants et fiables, faciles à entretenir et ayant un bon rapport qualité-prix.

Pour plus d'informations, veuillez consulter le site Web [www.cp.com](http://www.cp.com)

Atlas Copco Construction Tools AB  
Box 703  
391 27 Kalmar  
Sweden

## À propos des prescriptions de sécurité et des instructions pour l'opérateur

Le but des instructions est de vous apprendre à utiliser le marteau à crampons pneumatique d'une manière efficace et en toute sécurité. Les instructions vous donnent également des conseils et vous indiquent comment effectuer la maintenance de routine du marteau à crampons pneumatique.

Vous devez lire ces instructions attentivement et les comprendre avant d'utiliser le marteau à crampons pneumatique pour la première fois.

## Consignes de sécurité

Il convient de lire et d'assimiler les Prescriptions de sécurité et des instructions pour l'opérateur avant toute installation, utilisation, réparation, entretien ou remplacement d'accessoire sur la machine, afin de minimiser le risque de blessures graves ou de dommages pouvant entraîner la mort.

Affichez les Prescriptions de sécurité et instructions pour l'opérateur sur les différents sites de travail ; faites en des copies pour les employés et assurez-vous que chaque personne concernée a bien lu les Prescriptions de sécurité et instructions pour l'opérateur, avant d'utiliser ou d'intervenir sur la machine.

En outre, l'opérateur ou l'employeur doit évaluer les risques spécifiques pouvant survenir à la suite de chaque utilisation de la machine.

## Indications de sécurité

Les indications de sécurité Danger, Attention et Prudence ont les sens suivants :

<b>DANGER</b>	Indique une situation dangereuse qui, si elle n'est pas évitée, terminera par provoquer la mort ou des blessures graves.
<b>AVERTISSEMENT</b>	Indique une situation dangereuse qui, si elle n'est pas évitée, est de susceptible de provoquer la mort ou des blessures graves.
<b>ATTENTION</b>	Indique une situation dangereuse qui, si elle n'est pas évitée, est de susceptible de provoquer des blessures mineures à modérées.

## Précautions et qualifications du personnel

Seules des personnes qualifiées ou formées peuvent utiliser ou procéder à l'entretien de la machine. Elles doivent être physiquement aptes à manipuler le volume, le poids et la puissance de l'outil. Utilisez toujours votre jugement et votre bon sens.

## Équipement de protection du personnel

Utilisez toujours un équipement de protection individuelle homologué. Les opérateurs et toutes autres personnes séjournant sur la zone de travail doivent porter un équipement de protection individuelle, incluant au minimum :

- > Casque de protection
- > Protections auditives
- > Protecteurs des yeux résistants aux chocs avec protection latérale
- > Appareil de protection respiratoire, le cas échéant
- > Gants de protection
- > Bottes de protection adaptées
- > Salopette de travail appropriée ou vêtement similaire (serré) qui recouvre les bras et les jambes.

## Drogues, alcool ou médicaments

### ▲ AVERTISSEMENT Drogues, alcool ou médicaments

Les drogues, l'alcool ou les médicaments risquent d'avoir un effet négatif sur votre jugement et votre capacité de concentration. De mauvaises réactions et des évaluations incorrectes peuvent entraîner des accidents graves, voire la mort.

- ▶ N'utilisez jamais la machine lorsque vous êtes fatigué(e) ou sous l'influence de drogues, de l'alcool ou de médicaments.
- ▶ L'utilisation de la machine par une personne sous l'influence de drogues, de l'alcool ou de médicaments est strictement interdite.

## Installation, précautions

### ▲ DANGER Coup de fouet d'un flexible pneumatique

Un flexible d'air comprimé qui se détache risque de fouetter dans tous les sens et de provoquer des dommages corporels ou la mort. Pour réduire ce risque :

- ▶ Vérifiez que le flexible d'air comprimé et les raccords ne sont pas endommagés. Les remplacer si nécessaire.
- ▶ Vérifiez que les raccords d'air comprimé sont correctement fixés.
- ▶ Ne jamais porter une machine pneumatique par le flexible d'air.
- ▶ Ne jamais essayer de débrancher un flexible d'air comprimé sous pression. D'abord, coupez l'alimentation en air comprimé au niveau du compresseur, puis purgez la machine en activant le dispositif de marche/arrêt.

- ▶ N'utilisez pas de raccords rapides à l'entrée de l'outil. Utilisez des raccords filetés en acier trempé (ou un matériau présentant une résistance aux chocs comparable).
- ▶ Chaque fois que des raccords universels (raccords à griffes) sont utilisés, nous recommandons de monter des goupilles de verrouillage et d'utiliser des câbles de sécurité pour tuyaux flexibles, afin d'empêcher tout relâchement d'un accouplement flexible - outil et tuyau - tuyau.
- ▶ Ne jamais pointer un flexible d'air comprimé sur quelqu'un ou sur soi. Afin d'éviter tout risque de blessure, ne jamais utiliser l'air comprimé pour nettoyer la poussière, les salissures, etc., sur vos vêtements.
- ▶ Restez bien droit et tenez toujours la machine à deux mains.
- ▶ Ne mettez pas la machine en marche lorsqu'elle est posée sur le sol.
- ▶ Ne « chevauchez » jamais la machine, une jambe passée sur la poignée.
- ▶ Ne maltraitez jamais l'équipement.
- ▶ Soyez vigilant et concentrez-vous sur ce que vous faites.

## Fonctionnement, précautions

### ▲ DANGER Danger d'explosion

Si une pointe entre en contact avec un explosif ou avec des gaz explosifs, cela pourrait provoquer une explosion. Lors de travaux sur certains matériaux et lors d'utilisation de certains matériaux dans les pièces de la machine, des étincelles susceptibles d'enflammer des gaz peuvent provoquer des explosions. Les explosions peuvent provoquer des dommages corporels voire la mort.

- ▶ Ne jamais utiliser la machine dans un environnement explosif quelconque.
- ▶ N'utilisez jamais cette machine près de poussières, d'émanations ou de matériaux inflammables.
- ▶ Assurez-vous qu'il n'y a aucune source de gaz non identifiée ni explosifs dans les environs.

### ▲ AVERTISSEMENT Mouvements inopinés

Le marteau à crampons est exposé à des forces lorsqu'il est utilisé. Ces forces peuvent engendrer des mouvements soudains et imprévus risquant d'entraîner des blessures. En outre, les pertes d'équilibre ou les glissades peuvent provoquer des blessures.

- ▶ Assurez-vous de toujours adopter une position stable, les pieds dans le prolongement de vos épaules et votre poids bien réparti sur les deux jambes.
- ▶ Vérifiez toujours l'équipement avant de l'utiliser. Évitez d'utiliser l'équipement s'il vous semble endommagé.
- ▶ Assurez-vous que les poignées sont toujours bien propres, sans graisse ni huile.
- ▶ Gardez les mains et les pieds éloignés de l'outil de travail.

**▲ AVERTISSEMENT Dangers liés aux poussières et aux fumées**

Les poussières et/ou de fumées générées ou dispersées lors de l'utilisation de la machine peuvent causer des maladies respiratoires graves et permanentes, ou autre lésion corporelle (par exemple, la silicose ou autre maladie pulmonaire irréversible qui peut être mortelle, cancer, malformations congénitales et/ou inflammation de la peau).

Certaines poussières et fumées créées lors de foration, casse, martelage, sciage, meulage et autres activités de construction, contiennent des substances connues dans l'État de Californie et par d'autres autorités pour provoquer des maladies respiratoires, le cancer, des malformations congénitales ou autres problèmes de reproduction. Voici quelques exemples de ces substances :

- > Silice cristalline, ciment et autres produits de maçonnerie.
- > Arsenic et chrome provenant de caoutchouc traité chimiquement.
- > Plomb provenant de peintures à base de plomb.

Les poussières et fumées dans l'air peuvent être invisibles à l'œil nu. Par conséquent, ne comptez pas sur la vue oculaire pour déterminer s'il y a des poussières ou des fumées dans l'air.

Pour réduire les risques d'exposition aux poussières et fumées, effectuez tout ce qui suit :

- ▶ Effectuez une évaluation des risques spécifiques au site. L'évaluation des risques devra inclure les poussières et les vapeurs créées par l'utilisation de la machine et les poussières susceptibles d'incommoder le voisinage.
- ▶ Utilisez la sécurité intégrée appropriée pour minimiser la quantité de poussières et de fumées dans l'air et leur accumulation sur les équipements, les surfaces, les vêtements et les parties du corps. Exemples de mesures applicables : systèmes de ventilation aspirante et de captage des poussières, pulvérisation d'eau et forage humide. Contrôlez les poussières et les fumées à la source lorsque cela est possible. Assurez-vous que ces systèmes sont correctement installés, entretenus et utilisés.
- ▶ Porter, entretenir et utiliser correctement l'appareil de protection respiratoire comme indiqué par votre employeur et tel que requis par les réglementations de santé et de sécurité. L'appareil de protection respiratoire doit être compatible avec le type de substance en cause (et le cas échéant, approuvé par l'autorité gouvernementale pertinente).
- ▶ Travailler dans une zone bien ventilée.

- ▶ Si la machine dispose d'un système d'échappement, dirigez ce dernier de manière à réduire les mouvements de poussière dans un environnement chargé en poussières.
- ▶ Exploiter et entretenir la machine comme cela est recommandé dans les Prescriptions de sécurité et instructions pour l'opérateur.
- ▶ Sélectionner, entretenir et remplacer les consommables / les outils d'insertion / et autres accessoires comme cela est recommandé dans les Prescriptions de sécurité et instructions pour l'opérateur. Le choix incorrect ou le défaut d'entretien de consommables / outils d'insertion / et autres accessoires peut provoquer une augmentation inutile des poussières ou fumées.
- ▶ Sur le lieu de travail, portez des vêtements de protection lavables ou jetables. Avant de quitter le lieu de travail, douchez-vous et changez de vêtements, pour réduire votre exposition aux poussières et fumées et celle des autres, des voitures, des maisons et des autres zones.
- ▶ Évitez de manger, boire ou fumer hors dans les zones exposées aux poussières ou aux fumées.
- ▶ Lavez-vous les mains et le visage dès que possible avant de quitter la zone exposée, et toujours avant de manger, boire ou fumer, ou d'entrer en contact avec d'autres personnes.
- ▶ Respectez toutes les lois et règlements applicables, y compris les normes de sécurité et de santé au travail.
- ▶ Participez à la surveillance de l'air, aux programmes d'examen médical, et aux programmes de formation à la santé et à la sécurité proposés par votre employeur ou les organisations professionnelles, et conformément aux normes et recommandations de sécurité et de santé au travail. Consultez un médecin spécialiste en médecine du travail.
- ▶ Discutez avec votre employeur et avec les organisations professionnelles, pour réduire l'exposition aux poussières et aux fumées sur le chantier, et pour réduire les risques. Mettre en place et appliquer des programmes de santé et de sécurité efficaces, des politiques et des procédures pour protéger les ouvriers et autres personnes contre toute exposition aux poussières et fumées nocives, sur les conseils de spécialistes de la santé et la sécurité. Consultez ces experts et spécialistes.
- ▶ Les résidus de substances dangereuses sur la machine peuvent constituer un risque. Avant d'entreprendre toute opération de maintenance sur la machine, la nettoyer soigneusement.



**▲ AVERTISSEMENT Projectiles**

Une pièce, des accessoires, ou même l'outil qui se détache peuvent se transformer en projectiles à grande vitesse. En cours de fonctionnement, des éclats de roche ou d'autres particules du matériau de travail peuvent se transformer en projectiles et provoquer des blessures en frappant l'opérateur ou d'autres personnes. Pour réduire ces risques :

- ▶ Utilisez des équipements de protection personnelle et un casque de sécurité approuvés, y compris une protection oculaire résistante avec protection latérale.
- ▶ Assurez-vous qu'aucune personne non autorisée ne pénètre dans la zone de travail.
- ▶ Maintenir le lieu de travail propre et exempt de corps étrangers.
- ▶ Assurez-vous que l'outil est correctement fixé.

**▲ AVERTISSEMENT Dangers liés à l'utilisation d'un marteau à crampons**

Il existe un risque de blessures corporelles si l'outil n'est pas correctement fixé dans la pièce à travailler avant de commencer.

- ▶ Toujours vous assurer que l'outil est bien fixé avant d'actionner la machine.
- ▶ Ne jamais tenir ou toucher l'outil lorsque la machine est en marche.

**▲ AVERTISSEMENT Risques de glissades, de trébuchements et de chute**

Il existe des risques de glissades, de trébuchements et de chute, par exemple sur des flexibles ou d'autres objets. Une glissade, un trébuchement ou une chute peut provoquer des blessures. Pour réduire ce risque :

- ▶ Toujours s'assurer qu'aucun flexible ou autre objet ne risque, d'une manière ou d'une autre, de gêner le passage d'une personne.
- ▶ Assurez-vous de toujours adopter une position stable, les pieds dans le prolongement de vos épaules et votre poids bien réparti sur les deux jambes.

**▲ AVERTISSEMENT Risques liés aux mouvements**

Lorsque vous utilisez la machine pour effectuer des travaux, vous pouvez ressentir de l'inconfort dans les mains, les bras, les épaules, le cou, ou d'autres parties du corps.

- ▶ Adoptez une position confortable tout en maintenant une base sûre et évitez les postures inconfortables en déséquilibre.
- ▶ Changer de posture durant les longues sessions de travail peut contribuer à éviter l'inconfort et la fatigue.
- ▶ En cas de symptômes persistants ou récurrents, consultez un professionnel de la santé qualifié.

**▲ AVERTISSEMENT Dangers liés aux vibrations**

L'utilisation normale et adéquate de la machine expose l'opérateur à des vibrations. L'exposition régulière et fréquente aux vibrations peut causer, contribuer à, ou aggraver les blessures ou les troubles au niveau des doigts, des mains, des poignets, des bras, des épaules et/ou des nerfs et de la circulation sanguine et/ou d'autres parties du corps de l'opérateur, y compris les blessures ou les troubles qui peuvent se développer graduellement sur des semaines, des mois, ou des années. De telles blessures ou troubles peuvent inclure des dommages au niveau du système de circulation sanguine, du système nerveux, des articulations et éventuellement au niveau d'autres parties du corps.

En cas d'apparition, à un moment quelconque, d'engourdissement, de malaises récurrents persistants, de sensation de brûlure, de raideur, de douleur lancinante, de fourmillement, de douleur, de maladresse, d'affaiblissement du poignet, de blanchissement de la peau ou d'autres symptômes lors de l'utilisation de la machine ou en dehors de celle-ci, cessez toute utilisation de la machine, informez votre employeur et consultez un médecin. Le fait de continuer à utiliser la machine après l'apparition de tels symptômes risque de les aggraver et/ou de les rendre permanents.

Utilisez et entretenez la machine conformément aux instructions, afin d'éviter toute augmentation inutile des vibrations.

Les mesures suivantes peuvent contribuer à réduire l'exposition de l'opérateur aux vibrations :

- ▶ Laissez l'outil faire le travail. Utilisez une poignée manuelle réduite permettant un contrôle approprié et une utilisation en toute sécurité.
- ▶ Si la machine est équipée de poignées antivibratoires, maintenez-les en position centrale, en évitant d'enfoncer les poignées jusqu'à leur butées.
- ▶ Lorsque le mécanisme de percussion est activé, le seul contact entre votre corps et la machine doit être celui de vos mains sur la ou les poignées. Évitez tout autre contact, notamment d'appuyer une partie quelconque du corps contre la machine ou de vous pencher sur cette dernière pour essayer d'en augmenter la capacité d'avance. Il est également important de ne pas maintenir le dispositif de marche/arrêt enclenché lorsque vous retirez l'outil de la surface de travail.

- ▶ Assurez-vous que l'outil inséré est correctement entretenu (et aiguisé s'il s'agit d'un outil coupant), en bon état et de la taille appropriée. Les outils insérés mal entretenus, usés ou de dimension inadaptée, allongent la durée d'exécution d'une tâche (et celle de l'exposition aux vibrations) et peuvent induire ou contribuer à des niveaux plus élevés d'exposition aux vibrations.
- ▶ Arrêtez immédiatement de travailler si la machine commence soudainement à vibrer fortement. Avant de recommencer à travailler, identifiez la cause de l'augmentation des vibrations et remédiez-y.
- ▶ Évitez d'attraper, de tenir et de toucher l'outil inséré lorsque la machine est en marche.
- ▶ Participez à la surveillance médicale, aux examens médicaux et aux programmes de formation offerts par votre employeur ou imposés par la loi.
- ▶ Lorsque vous travaillez dans des conditions de froid, portez des vêtements chauds et gardez les mains au chaud et au sec.
- ▶ L'air d'évacuation est fortement refroidi et ne doit pas entrer en contact avec l'opérateur. Toujours diriger l'air d'évacuation loin des mains et du corps.

Voir « Énoncé déclaratif sur les vibrations et le bruit » pour la machine, y compris les valeurs des vibrations déclarées. Ces informations figurent à la fin des « Prescriptions de sécurité et instructions pour l'opérateur ».

- ◆ Respectez la pression d'air recommandée lorsque vous utilisez la machine. Une pression d'air plus élevée ou plus faible peut entraîner des niveaux de vibrations plus élevés.

**▲ DANGER Dangers électriques**

La machine n'est pas isolée électriquement. Tout contact de la machine avec de l'électricité risque de provoquer des blessures graves ou la mort.

- ▶ N'utilisez jamais la machine près d'un câble électrique ou d'une autre source d'électricité.
- ▶ Assurez-vous de l'absence de câbles cachés ou d'autres sources d'électricité dans la zone de travail.

**▲ AVERTISSEMENT Dangers liés aux objets cachés**

En cours de fonctionnement, les tuyaux et câbles cachés constituent une source potentielle de blessures graves.

- ▶ Vérifiez la composition du matériau avant toute utilisation.
- ▶ Faites attention aux câbles et aux tuyaux dissimulés, par exemple pour l'électricité, le téléphone, l'eau, le gaz et les canalisations d'égout, etc.
- ▶ Si vous pensez avoir touché un objet occulté avec l'outil, arrêtez immédiatement la machine.
- ▶ Assurez-vous de toute absence de danger avant de continuer.

**▲ AVERTISSEMENT Démarrage accidentel**

Le démarrage accidentel de la machine peut provoquer des blessures.

- ▶ Gardez les mains bien éloignées du dispositif de marche/arrêt jusqu'au moment de commencer à démarrer la machine.
- ▶ Apprenez à éteindre la machine en cas d'urgence.
- ▶ Relâchez immédiatement le dispositif de marche/arrêt en cas de coupure d'énergie quelconque.
- ▶ Avant d'entreprendre toute maintenance, installation, inspection ou nettoyage, coupez toujours l'arrivée d'air et purgez la machine en appuyant sur le dispositif de marche/arrêt, puis débranchez ensuite la machine.

**▲ AVERTISSEMENT Danger lié au bruit**

Des niveaux de bruit élevés peuvent provoquer une perte d'audition permanente et d'autres problèmes tels que l'acouphène (sonnerie, grondement, sifflement ou bourdonnement dans les oreilles). Afin de réduire les risques et d'éviter une augmentation inutile des niveaux de bruit :

- ▶ L'évaluation des risques de ces dangers et de mise en œuvre de mesures de contrôle appropriées est essentielle.
- ▶ Exploiter et entretenir la machine comme cela est recommandé dans ces instructions.
- ▶ Si la machine dispose d'un silencieux, il faut vérifier qu'il est en place et en bon état de fonctionnement.
- ▶ Toujours utiliser des protections auditives.

**Maintenance, précautions****▲ AVERTISSEMENT Modifications sur la machine**

Toute modification sur la machine peut provoquer des blessures physiques à vous-même ou aux autres.

- ▶ Ne jamais modifier la machine. Toute machine modifiée n'est pas couverte par la garantie ou la responsabilité produits.
- ▶ Utilisez toujours des pièces et des accessoires d'origine.
- ▶ Remplacez immédiatement les pièces endommagées.
- ▶ Remplacez les éléments ou pièces usés sans attendre.

**Stockage, précautions**

- ◆ Conservez la machine et les outils bien verrouillés, dans un endroit sûr, hors de la portée des enfants.

## Vue d'ensemble

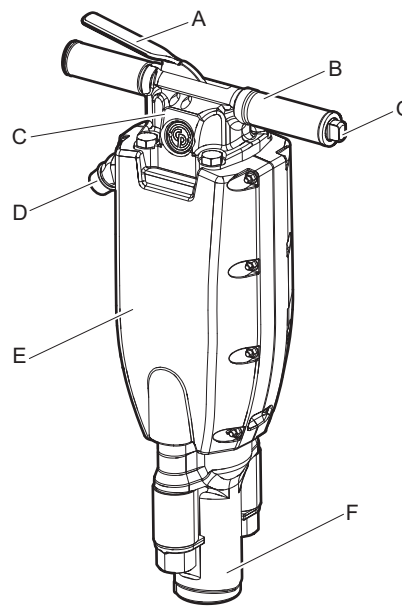
Il convient de lire et d'assimiler les Prescriptions de sécurité et des instructions pour l'opérateur avant toute installation, utilisation, réparation, entretien ou remplacement d'accessoire sur la machine, afin de minimiser le risque de blessures graves ou de dommages pouvant entraîner la mort.

## Conception et fonctionnement

Les CP 1260 S SPDR et CP 1290 S SPDR sont conçus pour enfoncer les crampons dans les traverses de chemin de fer, les tentes, ainsi que pour les travaux de construction et les travaux sur chantier.

Ils comportent une tête de raccordement avant ouvert pouvant recevoir une variété d'outils d'enfoncement. Le diamètre de tête maximum des outils est 1 3/4 in. (44 mm). Les marteaux à crampons pneumatiques sont conçus pour une utilisation verticale. Toute autre utilisation est interdite.

## Principales pièces

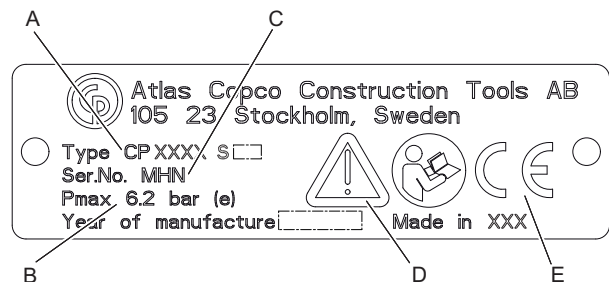


- A. Dispositif de marche/arrêt
- B. Poignée
- C. Tête de raccordement arrière
- D. Prise d'air
- E. Silencieux
- F. Tête de raccordement avant
- G. Lubrificateur

## Étiquettes

La machine comporte des étiquettes contenant des informations importantes pour la sécurité des personnes et l'entretien de la machine. Les étiquettes doivent être faciles à lire. De nouvelles étiquettes peuvent être commandées en utilisant la liste des pièces détachées.

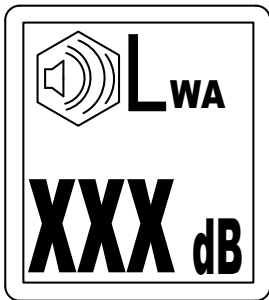
### Plaque signalétique



- A. Type de machine
- B. Pression d'air comprimé maximale autorisée
- C. Numéro de série

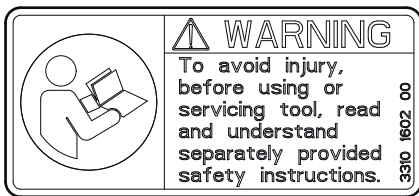
- D. Le symbole « Attention » accompagné du symbole du livre signifie que l'utilisateur doit lire les « Prescriptions de sécurité et instructions pour l'opérateur » avant la première utilisation de la machine.
- E. Le symbole CE indique la conformité de la machine avec les directives applicables. Pour plus d'informations, consultez la déclaration CE de conformité fournie avec la machine. L'absence du symbole CE indique que la machine n'est pas conforme aux directives applicables.

**Étiquette niveau du bruit**



Cette étiquette indique le niveau de bruit garanti conformément à la directive 2000/14/CE. Voir les « caractéristiques techniques » pour un niveau de bruit précis.

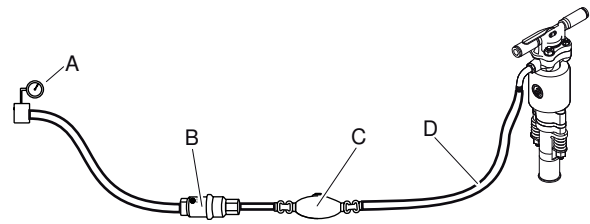
**Étiquette de sécurité**



Lire et comprendre les consignes de sécurité fournies séparément avant d'utiliser l'outil ou d'effectuer son entretien, afin d'éviter tout risque de blessures.

**Installation**

**Flexibles et connexions**



- A. Source d'air comprimé
  - B. Séparateur d'eau (en option)
  - C. Lubrificateur (en option)
  - D. 3 m (10 feet) maximum de flexible d'air comprimé entre l'huile et la machine.
- ♦ Vérifiez que vous utilisez la bonne pression de fonctionnement recommandée, 87 psig (6 bar (e)).
  - ♦ Ne dépassez pas la pression d'air maximale autorisée pour la machine - 90 psig (6,2 bar (e)).
  - ♦ Éliminez toute impureté du flexible d'air comprimé avant de le brancher à la machine.
  - ♦ Sélectionnez un flexible d'air comprimé possédant une dimension et une longueur correctes. Pour les longueurs de flexible allant jusqu'à 100 feet (30 mètres), il faut utiliser un flexible de diamètre intérieur minimal de 3/4 in. (19 mm). Si la longueur de flexible est de 100 à 330 feet (30 à 100 mètres), il faut utiliser un flexible de diamètre intérieur minimal de 1 in. (25 mm).

**Mesures de prévention du gel**

Le givrage peut se produire dans le silencieux lorsque la température ambiante est de 32-50°F (0-10°C) et que l'humidité relative est élevée.

La machine est conçue pour éviter le givrage dans le silencieux. Cependant, dans des conditions extrêmes, du givre peut se former dans le silencieux.

Les actions suivantes peuvent être mises en oeuvre pour éviter le risque de formation de givre :

- ♦ Utilisez un lubrifiant de type CP Airolene Plus Tool Oil. L'CP Airolene Plus Tool Oil empêche le gel.
- ♦ Utilisez un séparateur d'eau.

## Branchement d'un séparateur d'eau

Utilisez un flexible suffisamment long entre le compresseur et le séparateur d'eau pour assurer le refroidissement et la condensation de la vapeur d'eau dans le flexible avant d'atteindre le séparateur d'eau.

Si la température ambiante est inférieure à 32°F (0°C), le flexible ne doit pas être très long afin que l'eau n'y gèle pas avant d'atteindre le séparateur d'eau.

## Lubrification

### Graissage

Le lubrifiant joue un rôle important dans le fonctionnement de la machine et a une grande incidence sur sa durée de vie. Afin de fournir le volume d'huile adéquat, un graisseur devrait être branché au flexible d'air. L'utilisation d'un graisseur à air comprimé Chicago Pneumatic est conseillée. Pour garantir une bonne lubrification, la longueur du flexible d'air entre le graisseur et l'outil pneumatique ne doit pas dépasser 10 feet (3 m).

Une lubrification excessive peut causer des problèmes de démarrage, une faible puissance ou une performance irrégulière.

Utilisez un lubrifiant synthétique tel que le lubrifiant CP Airolene Plus Tool Oil ou une huile minérale ayant les propriétés recommandées illustrées au tableau ci-dessous.

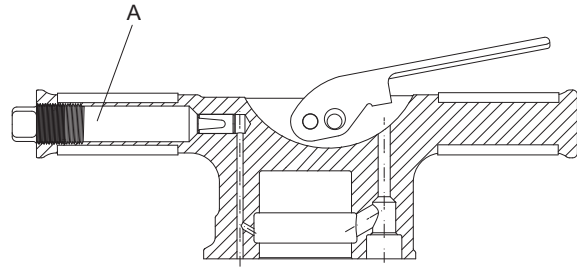
Lubrifiant	Plage de température °F (°C)	Viscosité
CP Airolene Plus Tool Oil	-4 à +120 (-20 à +50)	-
Huile pour outil pneumatique	-4 à +60 (-20 à +15)	100-150 SUS (ISO VG 22-32)
Huile pour outil pneumatique	+60 à +120 (+15 à +50)	225-350 SUS (ISO VG 46-68)

Il est recommandé d'utiliser une huile contenant un produit antirouille.

### Vérification du niveau et remplissage de lubrifiant

- ◆ Les niveaux d'huile doivent être vérifiés quotidiennement.
- ◆ Nettoyez les environs du bouchon d'huile et retirez-le.
- ◆ Vérifiez l'état des filetages.
- ◆ Toutes les pièces comportant des filetages abîmés doivent être remplacées.

- ◆ Versez du lubrifiant dans (A).



- ◆ Resserrez fermement le bouchon et nettoyez tout excès d'huile.

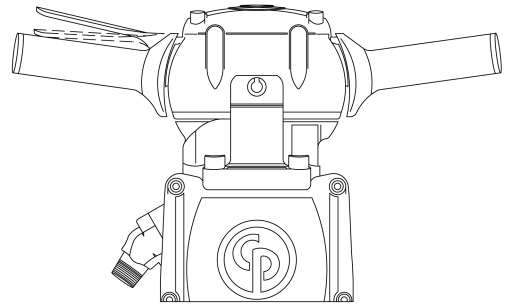
## Commande

### ▲ AVERTISSEMENT Démarrage accidentel

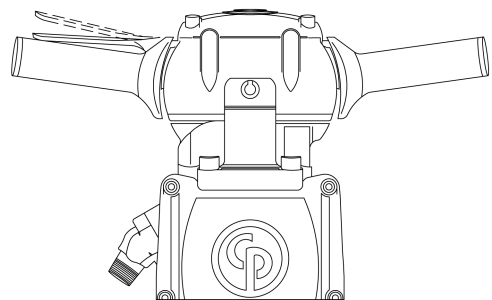
Le démarrage accidentel de la machine peut provoquer des blessures.

- ▶ Gardez les mains bien éloignées du dispositif de marche/arrêt jusqu'au moment de démarrer la machine.
- ▶ Apprenez à éteindre la machine en cas d'urgence.
- ▶ Arrêtez immédiatement la machine en cas de coupure d'énergie quelconque.

## Marche/arrêt



Démarrez le marteau à crampons pneumatique en appuyant sur le dispositif de marche/arrêt.



Arrêtez le marteau à crampons pneumatique en relâchant sur le dispositif de marche/arrêt. Le dispositif de marche/arrêt retourne automatiquement en position d'arrêt.

## Utilisation

- ◆ Assurez-vous que les crampons à enfoncer sont correctement positionnés.
- ◆ Placez le marteau sur le dessus du crampon et alignez la machine avec le crampon.
- ◆ Adoptez une position stable et gardez vos pieds éloignés du crampon.
- ◆ Appliquez une pression constante sur le crampon et commencez à travailler.
- ◆ Relâchez le dispositif de marche/arrêt lorsque le crampon est bien en place.
- ◆ Laissez la machine faire le travail, n'appuyez pas trop fort.
- ◆ Toute forme d'utilisation au ralenti ou lorsque la machine est soulevée doit être évitée.
- ◆ Évitez d'activer le dispositif de marche/arrêt lorsque la machine est en position haute.
- ◆ Vérifiez régulièrement que la machine est correctement lubrifiée.

**AVIS** Ne jamais tenir ou toucher l'outil lorsque la machine est en marche.

## Lors des pauses

- ◆ Pendant toutes vos pauses, vous devez éloigner la machine de manière à éliminer tout risque de démarrage accidentel. Assurez-vous de placer la machine sur le sol, de manière qu'elle ne tombe pas.
- ◆ En cas de pause prolongée ou lorsque vous quittez votre lieu de travail : Coupez l'alimentation électrique, puis purgez la machine en activant le dispositif de marche/arrêt.

## Maintenance

Une maintenance régulière est une indispensable pour que la machine reste un outil sûr et efficace. Respectez soigneusement les instructions d'entretien.

- ◆ Avant de commencer l'entretien de la machine, nettoyez-la afin d'éviter toute exposition aux substances dangereuses. Voir « Dangers liés aux poussières et aux fumées ».
- ◆ N'utilisez que des pièces de rechange homologuées. Les dommages ou dysfonctionnements dus à l'utilisation de pièces non homologuées ne sont pas couverts par la garantie ou la responsabilité du fait des produits.
- ◆ Lors du nettoyage des pièces mécaniques avec un solvant, assurez-vous que vous respectez bien les normes de sécurité et de santé et que la ventilation est suffisante.
- ◆ Pour un entretien plus complet de la machine, contactez l'atelier agréé le plus proche.
- ◆ Après chaque entretien, vérifiez que le niveau de vibrations de la machine est normal. Si ce n'est pas le cas, contactez l'atelier agréé le plus proche.

## Chaque jour

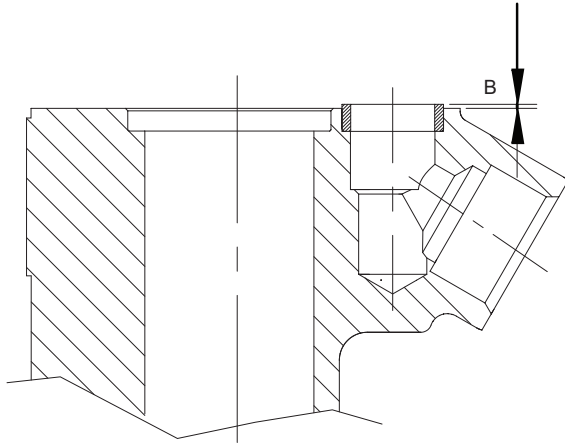
Avant d'entreprendre toute maintenance sur les machines pneumatiques, coupez toujours l'air et purgez la machine en appuyant sur le dispositif de marche/arrêt. Débranchez ensuite le flexible d'air de la machine.

- ◆ Nettoyez et inspectez la machine et ses fonctionnalités chaque jour, avant son utilisation.
- ◆ Effectuez une inspection générale des fuites et dommages.
- ◆ Vérifiez que l'embout de prise d'air est bien serré et que le raccord décaleur n'est pas endommagé.
- ◆ Remplacez immédiatement les pièces endommagées.
- ◆ Remplacez les éléments ou pièces usés sans attendre.
- ◆ Assurez-vous que tous les équipements auxiliaires ou connexes, comme les flexibles, les séparateurs d'eau et les graisseurs, sont correctement entretenus.

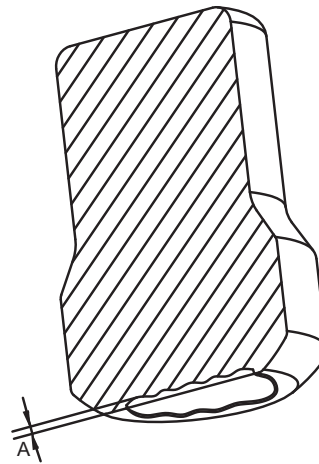
## Instructions d'assemblage

Prenez suffisamment de soin lors de l'assemblage et du démontage de l'outil pour éviter les bavures, les incisions ou la déformation des pièces de précision de l'ajustement étroit.

1. Examinez toutes les surfaces métal sur métal afin de vérifier l'éventuelle présence d'entailles et de bavures avant et pendant l'assemblage.
2. Avant le remontage, lubrifiez tous les joints toriques et enduisez de lubrifiants recommandés toutes les pièces mobiles de l'outil.
3. Lors de l'assemblage, prenez soin d'écartier toute saleté de l'outil, en particulier entre les surfaces d'ajustement.
4. Les boulons de la tête avant doivent être serrés de manière à ce que la compression des amortisseurs soit uniforme sur toute la longueur du montage selon les indications de la section « Couples de serrage ».
5. Lorsque l'assemblage est terminé, versez environ ½ oz. (1,5 cl) d'huile recommandée dans la prise d'air et faites fonctionner le marteau à crampons pneumatique au ralenti pendant 10 à 15 secondes. Lors de l'utilisation du marteau à crampons pneumatique au sol, maintenez une vitesse réduite pour éviter d'endommager le piston, le billot d'enclume et la tête avant.
6. Avant d'assembler la tête de raccordement arrière sur le cylindre, vérifiez que le joint dépasse d'environ (B) 1/16 de pouce (1,6 mm) de la face du cylindre.



1. Assurez-vous que les surfaces d'ajustement sont propres et lisses et que les boulons sont serrés.
2. Nettoyez et inspectez complètement les pièces internes et assurez-vous qu'elles ne présentent pas de rouille, grains ou corps étrangers.
3. Nettoyez et inspectez complètement les pièces de la soupape. Assurez-vous que la soupape se déplace librement.
4. Assurez-vous que les faces percutantes sur le billot d'enclume sont parallèles et plates. Si le bloc est évasé, pulvérisez les bords élevés mais ne touchez pas la face polie où l'enclume heurte la tige en acier. Usure maximale autorisée (A) 1/32" (1 mm). Voir l'illustration portée ci-dessous.



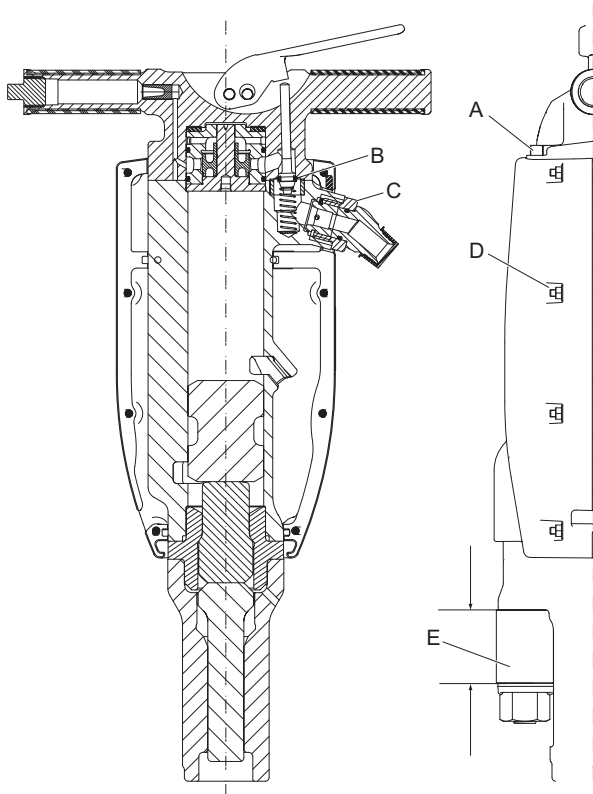
## Couples de serrage

**AVIS** Lors de la mise en place d'un raccord décaleur ou autre pièce de raccordement à la rotule, utiliser de la Loctite® 263™ (Loctite est une marque déposée de Henkel Corporation. 263 est une marque commerciale de Henkel Corporation) ou équivalent.

## Maintenance périodique

Après chaque période d'utilisation d'environ 150 heures d'impact ou 2 fois par an, la machine doit être démontée et toutes les pièces doivent être nettoyées et examinées. Ce travail doit être effectué par du personnel autorisé et formé à cette tâche.





- A. Couple : CP 1260 S SPDR et CP 1290 S SPDR, 135 Nm (100 lbf.ft).
- B. Le joint du cylindre doit dépasser d'environ  $\frac{1}{16}$  de pouce (1,6 mm) avant l'assemblage de la tête arrière.
- C. Couple : 200 Nm (150 lbf.ft). Appliquez de la Loctite® 263™ (Loctite est une marque déposée de Henkel Corporation. 263 est une marque commerciale de Henkel Corporation).
- D. Couple, silencieux 8–10 Nm (6–7 lbf.ft).
- E. Longueur de l'amortisseur monté.

Modèle	Longueur mini-maxi in. (mm)
CP 1260 S SPDR	2.14 -2.19 (54.4–55.6)
CP 1290 S SPDR	2.55 -2.61 (64,8–66,2)

## Recherche de pannes

Si la machine pneumatique ne démarre pas ou si elle a une puissance faible ou une performance irrégulière, vérifiez les points suivants.

- ◆ Vérifiez que la machine pneumatique reçoit la quantité correcte de lubrifiant. Une lubrification excessive peut causer des problèmes de démarrage, une puissance faible ou une performance irrégulière.
- ◆ Vérifiez que le système d'air comprimé fournit à la machine une pression d'air suffisante pour assurer la puissance maximale.
- ◆ Vérifiez que les dimensions et la longueur du flexible d'air sont conformes aux recommandations. Voir « Installation ».
- ◆ En cas de risque de gel, vérifiez que les ports d'échappement de la machine ne sont pas bloqués.
- ◆ Si le fonctionnement de la machine n'est toujours pas satisfaisant après cette procédure, contactez un atelier homologué.

## Stockage

- > Avant de l'entreposer, nettoyez minutieusement la machine afin d'éviter toute exposition aux substances dangereuses. Voir « Dangers liés aux poussières et aux fumées ».
- > Versez environ 1/2 oz (5 cl) d'huile directement dans l'embout de prise d'air, reliez la machine à l'alimentation d'air comprimé et laissez-la fonctionner pendant quelques secondes.
- > Stockez toujours la machine dans un endroit sec.

## Destruction d'une machine usagée

Toute machine usagée doit être traitée et détruite de telle manière que la plus grande partie des matériaux puisse être recyclée et que tout impact négatif sur l'environnement soit aussi faible que possible, et conformément aux réglementations locales.

## Caractéristiques techniques

### Caractéristiques de la machine

Type	Diamètre de tête maxi in. (mm)	Poids lb (kg)	Longueur in. (mm)	Fréquence de frappe bpm (Hz)	Consommation d'air cfm (l/s)
CP 1260 S SPDR	1¼ (44)	65 (29,5)	24,7 (625)	1300 (21,5)	73 (34,5)
CP 1290 S SPDR	1¼ (44)	84 (38)	26 (660)	1100 (18,3)	91 (43)

### Énoncé déclaratif sur les vibrations et le bruit

Niveau de puissance acoustique garanti **L<sub>w</sub>** selon la norme EN ISO 3744 conformément à la directive 2000/14/CE.

Niveau de pression acoustique **L<sub>p</sub>** selon la norme EN ISO 11203.

Niveau des vibrations **A** et incertitude **B** selon la norme EN ISO 20643. Veuillez consulter le tableau « Données relatives au bruit et aux vibrations » pour les valeurs A, B, etc.

Ces valeurs déclarées ont été obtenues à l'issue de tests de type effectués en laboratoire conformément à la directive ou aux normes énoncées et peuvent être comparées aux valeurs déclarées pour d'autres outils testés conformément aux mêmes directives ou normes. Ces valeurs déclarées ne sont pas appropriées pour l'utilisation dans les évaluations de risques et les valeurs mesurées dans différents lieux de travail peuvent être plus élevées. Les valeurs d'exposition et le risque de blessure pour un utilisateur particulier sont uniques et dépendent de la façon dont il travaille, du matériel sur lequel la machine est utilisée, ainsi que de la durée d'exposition, de l'état physique de l'utilisateur et de l'état de la machine.

Atlas Copco Construction Tools AB, ne peut être tenu pour responsable des conséquences d'une utilisation des valeurs déclarées à la place des valeurs correspondant à l'exposition réelle, dans le cadre d'une évaluation des risques sur un lieu de travail dont nous ne maîtrisons aucun élément.

L'utilisation de cet outil peut entraîner l'apparition du syndrome de vibration du système main-bras si elle n'est pas effectuée de manière adéquate. Vous trouverez guide publié par l'UE sur les vibrations transmises à la main et au bras à l'adresse <http://www.humanvibration.com/humanvibration/EU/VIBGUIDE.html>

Nous recommandons un programme de contrôle médical pour détecter par avance les symptômes éventuellement liés à l'exposition aux vibrations, afin de permettre la modification des procédures de gestion et la prévention des infirmités futures.

### Données relatives au bruit et aux vibrations

Type	Bruit		Vibration	
	Pression acoustique	Puissance acoustique	Valeurs triaxiales	
	Valeurs déclarées		Valeurs déclarées	
	EN ISO 11203	2000/14/CE	EN ISO 20643	
	<b>L<sub>p</sub></b> r=1m dB(A) rel 20µPa	<b>L<sub>w</sub></b> garanti dB(A) rel 1pW	<b>A</b> m/s <sup>2</sup> valeur	<b>B</b> m/s <sup>2</sup> étalé
CP 1260 S SPDR	97	110	20,7	2,5
CP 1290 S SPDR	98	111	18,4	2,3

## Déclaration CE de conformité

### Déclaration CE de conformité (Directive 2006/42/CE)

Nous, Atlas Copco Construction Tools AB, déclarons par la présente que les machines énumérées ci-dessous sont conformes aux dispositions de la directive européenne 2006/42/CE (directive « Machines ») et 2000/14/CE (directive « Bruit »), et des normes harmonisées mentionnées ci-dessous.

Marteaux à crampons pneumatiques portatifs	Niveau de puissance acoustique garanti [dB(A)]	Niveau de puissance acoustique mesuré [dB(A)]	Pmax (bar)
CP 1260 S SPDR	110	108	6,2
CP 1290 S SPDR	111	109	6,2

**Les normes harmonisées suivantes ont été appliquées :**

- ◆ EN ISO 11148-4

**Les autres normes suivantes ont été appliquées :**

- ◆ Lloyds Register Quality Assurance, NoBo no.0088

**Représentant agréé de la documentation technique :**

Per Forsberg  
Atlas Copco Construction Tools AB  
Dragonvägen 2  
Kalmar

**Vice-président Conception et Développement :**

Erik Sigfridsson

**Fabricant :**

Atlas Copco Construction Tools AB  
391 27 Kalmar  
Sweden

**Lieu et date :**

Kalmar, 2012-11-30



**DEUTSCH**

**Inhalt**

**Einleitung**..... 39

**Informationen zu den Sicherheitshinweisen und zur Betriebsanleitung**..... 39

**Sicherheitsvorschriften**..... 40

- Sicherheits-Signalworte..... 40
- Persönliche Vorsichtsmaßnahmen und Qualifikationen..... 40
- Installation, Vorsichtsmaßnahmen..... 40
- Betrieb, Vorsichtsmaßnahmen..... 41
- Wartung, Vorsichtsmaßnahmen..... 45
- Lagerung, Vorsichtsmaßnahmen..... 45

**Übersicht**..... 46

- Konstruktion und Funktion..... 46
- Hauptkomponenten..... 46
- Etiketten..... 46

**Installation**..... 47

- Schläuche und Anschlüsse..... 47
- Methoden zur Vermeidung von Einfrieren..... 47
- Anschließen eines Wasserabscheiders..... 48
- Schmierung..... 48

**Betrieb**..... 48

- Start und Stopp..... 48
- Betrieb..... 49
- Einlegen von Pausen..... 49

**Wartung**..... 49

- Täglich..... 49
- Montageanleitung..... 49
- Regelmäßige Wartung..... 50
- Anziehdrehmomente..... 50

**Fehlersuche**..... 52

**Lagerung**..... 52

**Entsorgung**..... 52

**Technische Daten**..... 53

- Maschinendaten..... 53
- Angaben zu Geräuschemission und Vibration..... 53
- Angaben zu Geräuschemission und Vibration..... 53

**EG-Konformitätserklärung**..... 54

- EG-Konformitätserklärung (EG-Richtlinie 2006/42/EG)..... 54

Crowder Supply Co., Inc. • 8495 Roslyn St., Commerce City, CO 80022 • Toll Free: 888-883-5144 • www.CrowderSupply.com

## Einleitung

Wir danken Ihnen für die Wahl eines Produkts von Chicago Pneumatic. In der Druckluftwerkzeug-Industrie steht die Marke Chicago Pneumatic seit über 100 Jahren für Leistung und Innovation.

Heute bietet das Unternehmen weltweit eine breite Palette pneumatischer und hydraulischer Werkzeuge. Dazu gehören Aufbrechhämmer, Bohrhämmer, Meißelhämmer, Grabhämmer, Abbauhämmer und Niethämmer, Spitzhämmer, Pumpen und vieles mehr.

Die Marke Chicago Pneumatic garantiert stets leistungsfähige, leicht zu bedienende und zuverlässige Produkte mit einem hervorragenden Preis-Leistungs-Verhältnis.

Weitere Informationen erhalten Sie auf unserer Website: [www.cp.com](http://www.cp.com)

Atlas Copco Construction Tools AB  
Box 703  
391 27 Kalmar  
Sweden

## Informationen zu den Sicherheitshinweisen und zur Betriebsanleitung

Ziel dieser Anleitung ist es, Sie mit der sicheren und effizienten Bedienung des Druckluftnagelhammers vertraut zu machen. Die Anleitung enthält auch Hinweise zur Durchführung regelmäßiger Wartungsarbeiten am Druckluftnagelhammer. Lesen Sie bitte diese Anleitung vor der ersten Benutzung des Druckluftnagelhammers genau durch.

## Sicherheitsvorschriften

Lesen Sie bitte vor Installation, Betrieb, Reparatur und Wartung der Maschine bzw. vor dem Wechsel von Zubehör die Sicherheitshinweise und die Betriebsanleitung sorgfältig durch, um Unfallrisiken, die mit ernsthaften Verletzungen oder Lebensgefahr verbunden sein können, zu vermeiden.

Schlagen Sie diese Sicherheitshinweise und Betriebsanleitung am Arbeitsplatz an. Verteilen Sie Kopien an die Mitarbeiter. Stellen Sie sicher, dass jeder Mitarbeiter vor dem Betrieb der Maschine oder vor Wartungsarbeiten diese Sicherheitshinweise und Betriebsanleitung liest.

Darüber hinaus sollten der Bediener oder der Arbeitgeber des Bedieners die spezifischen Risiken bewerten, die bei jeder Anwendung dieser Maschine bestehen.

## Sicherheits-Signalworte

Die Sicherheits-Signalworte Gefahr, Warnung und Achtung haben folgende Bedeutung:

<b>GEFAHR</b>	Hinweis auf eine Gefahrensituation, die bei Nichtbeachtung zu schweren oder lebensgefährlichen Unfällen führt.
<b>WARNUNG</b>	Hinweis auf eine Gefahrensituation, die bei Nichtbeachtung zu schweren oder lebensgefährlichen Unfällen führen kann.
<b>VORSICHT</b>	Hinweis auf eine Gefahrensituation, die bei Nichtbeachtung zu geringen oder leichten Verletzungen führen kann.

## Persönliche Vorsichtsmaßnahmen und Qualifikationen

Die Maschine darf nur von qualifiziertem und geschultem Personal bedient oder gewartet werden. Dieses muss physisch in der Lage sein, mit Größe, Gewicht und Leistung der Maschine umzugehen. Verlassen Sie sich immer auf Ihren gesunden Menschenverstand.

## Schutzausrüstung

Verwenden Sie stets geeignete Schutzausrüstung! Von Mitarbeitern und anderen Personen im Arbeitsbereich ist mindestens folgende Schutzausrüstung zu tragen:

- > Schutzhelm
- > Gehörschutz
- > Schutzbrille (mit seitlicher Abschirmung der Augen)
- > Atemmaske (bei Bedarf)
- > Schutzhandschuhe
- > Geeignete Sicherheitsschuhe
- > Geeigneter Arbeitsanzug oder ähnliche (eng anliegende) Kleidung, die Arme und Beine bedeckt.

## Drogen, Alkohol oder Medikamente

### ▲ **WARNUNG** Drogen, Alkohol oder Medikamente

Drogen, Alkohol oder Medikamente können Ihre Urteilskraft und Konzentrationsfähigkeit einschränken. Schlechte Reaktionsfähigkeit und Fehleinschätzungen können zu schweren Verletzungen führen.

- ▶ Bedienen Sie die Maschine niemals, wenn Sie müde sind oder unter dem Einfluss von Drogen, Alkohol oder Medikamenten stehen.
- ▶ Personen, die unter dem Einfluss von Drogen, Alkohol oder Medikamenten stehen, dürfen die Maschine nicht bedienen.

## Installation, Vorsichtsmaßnahmen

### ▲ **GEFAHR** Ausschlagender Druckluftschlauch

Ein Druckluftschlauch, der sich gelöst hat, kann ausschlagen und lebensgefährliche Verletzungen verursachen. Zur Verhütung dieses Unfallrisikos ist Folgendes zu beachten:

- ▶ Stellen Sie sicher, dass Druckluftschlauch und Anschlüsse unbeschädigt sind, und ersetzen Sie diese gegebenenfalls.
- ▶ Stellen Sie sicher, dass sämtliche Druckluftanschlüsse korrekt befestigt sind.
- ▶ Tragen Sie eine Druckluftmaschine niemals am Druckluftschlauch.



- ▶ Ein unter Druck stehender Druckluftschlauch darf unter keinen Umständen abgebaut oder demontiert werden. Schalten Sie zuerst die Druckluft am Kompressor aus und lassen Sie die Maschine durch Betätigen des Start- und Stoppschalters auslaufen.
- ▶ Verwenden Sie an der Werkzeugaufnahme keine Schnellkupplungen. Verwenden Sie Schlaucharmaturen mit Gewinde und aus gehärtetem Stahl (oder aus Material mit vergleichbarer Stoßfestigkeit).
- ▶ Bei Verwendung von Universaldrehkupplungen (Klauenkupplungen) empfehlen wir die Installation von Sicherungsstiften und Sicherungskabeln (die das Umherschlagen von Druckschläuchen verhindern), um den erforderlichen Schutz zu gewährleisten, falls eine Verbindung von Werkzeug zu Schlauch oder von Schlauch zu Schlauch versagt.
- ▶ Richte einen Druckluftschlauch nie auf eine andere Person oder den eigenen Körper! Um Verletzungen zu vermeiden, darf Druckluft niemals zum Sauberblasen von Kleidung oder auf ähnliche Weise zweckentfremdet werden.

## Betrieb, Vorsichtsmaßnahmen

### ▲ GEFÄHR Explosionsgefahr

Wenn ein Nagel mit Explosivstoffen oder explosiven Gasen in Kontakt kommt, kann es zu einer Explosion kommen. Bei der Arbeit mit bzw. der Verwendung von bestimmten Materialien können Funken auftreten und Explosionen verursachen. Explosionen können zu ernsthaften Verletzungen oder zum Tod führen.

- ▶ Die Maschine nie in einer explosiven Umgebung betreiben.
- ▶ Verwenden Sie die Maschine niemals in der Nähe von entzündlichen Materialien, Dämpfen oder Staub.
- ▶ Stellen Sie sicher, dass keine verborgenen Gasquellen oder Explosivstoffe vorhanden sind.

### ▲ WARNUNG Unerwartete Bewegungen

Der Nagelhammer wird im Betrieb stark beansprucht. Es kann zu plötzlichen und unerwarteten Bewegungen kommen, die Verletzungen verursachen können. Außerdem kann es zu Verletzungen kommen, wenn Sie das Gleichgewicht verlieren oder ausrutschen.

- ▶ Stellen Sie sicher, dass Sie immer eine stabile Standposition einnehmen. Verteilen Sie dazu Ihr Körpergewicht auf beide Füße, die schulterbreit auseinander stehen.
- ▶ Prüfen Sie die Ausrüstung vor jeder Anwendung. Bei Schadensverdacht darf die Ausrüstung auf keinen Fall verwendet werden.
- ▶ Stellen Sie sicher, dass die Griffe sauber und frei von Fett oder Öl sind.
- ▶ Halten Sie Hände und Füße vom Nagel fern.
- ▶ Stehen Sie sicher und halten Sie die Maschine mit beiden Händen fest.
- ▶ Starten Sie niemals die Maschine, wenn sie auf dem Boden liegt.
- ▶ „Reiten“ Sie niemals mit einem Bein über dem Griff auf der Maschine.
- ▶ Gehen Sie mit der Ausrüstung sorgsam um.
- ▶ Achten Sie während des Betriebs auf ungewöhnliche Vorgänge.

### ▲ **WARNUNG Gefahren durch Abgase und Staub**

Staub und/oder Abgase, die beim Betrieb der Maschine erzeugt oder freigesetzt werden, können zu ernsthaften und chronischen Atemwegserkrankungen oder zu körperlichen Beeinträchtigungen führen (z. B. zu Silikose, ernsthaften chronischen Lungenerkrankungen, Krebs, Erbkrankheiten und/oder Hautentzündungen).

Einige Staubsorten und Abgase, die beim Bohren, Aufbrechen, Hämmern, Sägen, Schleifen oder anderen Bautätigkeiten freigesetzt werden, enthalten chemische Elemente, die Atemwegserkrankungen, Krebs oder Erbkrankheiten auslösen. Dazu gehören z. B.:

- > Steinstaub, Zement und andere Baustoffe.
- > Arsen und Chrom aus chemisch behandeltem Gummi.
- > Blei aus bleihaltigen Farben.

In der Luft vorhandene Abgase und Staub können für das bloße Auge unsichtbar sein. Verlassen Sie sich daher nicht auf eine lediglich optische Kontrolle, ob Abgase und Staub in der Luft vorhanden sind.

Um die Gefahren durch Abgase und Staub zu vermindern, befolgen Sie folgende Anweisungen:

- ▶ Führen Sie eine auf den jeweiligen Arbeitsplatz bezogene Risikoanalyse durch. Die Risikoanalyse sollte die von der Maschine freigesetzten Abgase und Staub sowie ein mögliches Aufwirbeln von vorhandenem Staub berücksichtigen.
- ▶ Verwenden Sie geeignete technische Hilfsmittel zur Minimierung von Abgasen und Staub in der Luft sowie auf der Oberfläche von Ausrüstung, Kleidung und Körperteilen. Zu solchen Hilfsmitteln gehören z. B.: Absaugungen und Staubsammelsysteme, Sprühwasseranlagen und Nassbohren. Begrenzen Sie Staub und Abgase möglichst an deren Entstehungsquelle. Stellen Sie sicher, dass diese Hilfsmittel korrekt installiert, gewartet und angewendet werden.
- ▶ Tragen Sie stets geeignete sowie korrekt angewendete und gewartete Atemmasken, entsprechend den Anweisungen des Arbeitgebers sowie entsprechend den betrieblichen Gesundheits- und Sicherheitsbestimmungen. Die Atemmaske muss für die jeweilige Substanz geeignet (und möglichst von der zuständigen staatlichen Behörde genehmigt) sein.
- ▶ Arbeiten Sie in einem gut belüfteten Bereich.
- ▶ Verfügt die Maschine über ein Abgasrohr, richten Sie dieses so aus, dass die Staubaufwirbelungen in staubigen Umgebungen möglichst gering sind.

- ▶ Betrieb und Wartung der Maschine sind entsprechend den Sicherheitshinweisen und der Betriebsanleitung durchzuführen.
- ▶ Auswahl, Wartung und Austausch von Verbrauchsmaterialien/ Werkzeugen/ anderem Zubehör sind entsprechend den Sicherheitshinweisen und der Betriebsanleitung durchzuführen. Die falsche Wahl oder ungenügende Wartung von Verbrauchsmaterialien/ Werkzeugen/ anderem Zubehör kann die Freisetzung von Staub und Abgasen erhöhen.
- ▶ Tragen Sie am Arbeitsplatz abwaschbare oder Einwegschutzkleidung; Duschen Sie oder wechseln Sie die Kleidung vor dem Verlassen des Arbeitsplatzes, um Ihre eigene Belastung durch Staub und Abgase und die anderer Personen bzw. von Autos, Heimstätten und anderer Bereiche so gering wie möglich zu halten.
- ▶ Vermeiden Sie das Essen, Trinken oder Rauchen in Bereichen, in denen eine Belastung durch Staub und Abgase vorhanden ist.
- ▶ Waschen Sie umgehend nach dem Verlassen des Belastungsbereichs sowie stets vor dem Essen, Trinken, Rauchen oder dem Kontakt mit anderen Personen Ihre Hände und Ihr Gesicht.
- ▶ Beachten Sie alle relevanten Gesetze und Vorschriften sowie die betrieblichen Gesundheits- und Sicherheitsbestimmungen.
- ▶ Nehmen Sie entsprechend den betrieblichen Gesundheits- und Sicherheitsbestimmung an Schulungen zur Luftreinhaltung, medizinischen Prüfungen und Gesundheits- und Sicherheitsprogrammen teil, wenn diese von Ihrem Arbeitgeber oder von den Berufsverbänden angeboten werden. Konsultieren Sie Ärzte, die auf Arbeitsmedizin spezialisiert sind.
- ▶ Arbeiten Sie mit Ihrem Arbeitgeber und Berufsverband zusammen, um die Gefahren durch Abgase und Staub am Arbeitsplatz zu vermindern. Effektive Gesundheits- und Sicherheitsprogramme, -regelungen und -verfahren zum Schutz von Mitarbeitern und anderen Personen vor gefährlichen Stäuben und Abgasen sollten entsprechend dem Rat von Gesundheits- und Sicherheitsexperten erstellt und implementiert werden. Lassen Sie sich von Experten beraten.
- ▶ Rückstände von gefährlichen Substanzen auf der Maschine bergen Risiken. Säubern Sie die Maschine vor jeder Wartung gründlich.

**▲ WARNUNG Fliegende Splitter**

Fehler des Werkstücks, des Zubehörs oder der Maschine selbst können mit hoher Geschwindigkeit fliegende Splitter erzeugen. Beim Arbeiten können Splitter oder andere Partikel des bearbeiteten Materials zu Geschossen werden und ernsthafte Verletzungen verursachen, wenn Sie den Maschinenbenutzer oder andere Personen treffen. Zur Verhütung dieses Unfallrisikos ist Folgendes zu beachten:

- ▶ Tragen Sie immer geeignete Schutzausrüstung und einen Schutzhelm, einschließlich einer Schutzbrille mit seitlicher Abschirmung der Augen.
- ▶ Stellen Sie sicher, dass Unbefugte den Arbeitsbereich nicht betreten können.
- ▶ Der Arbeitsplatz ist sauber und aufgeräumt zu hinterlassen.
- ▶ Stellen Sie sicher, dass der Nagel wirklich fest sitzt.

**▲ WARNUNG Gefahren beim Eintreiben von Nägeln**

Wenn der Nagel vor dem Einsatz der Maschine nicht sicher fest sitzt, besteht Verletzungsgefahr.

- ▶ Stellen Sie vor dem Einsatz der Maschine stets sicher, dass der Nagel fest sitzt.
- ▶ Fassen Sie während des Betriebs der Maschine niemals den Nagel an bzw. halten Sie ihn niemals fest.

**▲ WARNUNG Gefahren durch Ausrutschen, Stolpern und Hinfallen**

Es besteht die Gefahr, auszurutschen, zu stolpern oder hinzufallen, z. B. Stolpern über Schläuche oder andere Gegenstände. Ausrutschen, Stolpern oder Hinfallen kann zu Verletzungen führen. Zur Verhütung dieses Unfallrisikos ist Folgendes zu beachten:

- ▶ Stellen Sie stets sicher, dass Ihnen oder anderen Personen keine Schläuche oder andere Objekte in Weg sind.
- ▶ Stellen Sie sicher, dass Sie immer eine stabile Standposition einnehmen. Verteilen Sie dazu Ihr Körpergewicht auf beide Füße, die schulterbreit auseinander stehen.

**▲ WARNUNG Gefahren durch Bewegung**

Bei Verwendung der Maschine für arbeitsbezogene Tätigkeiten, können Beschwerden an Händen, Armen, Schultern, am Nacken oder an anderen Körperteilen auftreten.

- ▶ Nehmen Sie eine bequeme Körperhaltung und eine sichere Standposition ein. Vermeiden Sie unsichere, unausgeglichene oder ungeschickte Haltungen.
- ▶ Bei längeren Tätigkeiten kann das Wechseln der Körperposition das Auftreten von Beschwerden und Ermüdungserscheinungen vermeiden helfen.
- ▶ Nehmen Sie bei anhaltenden oder wiederkehrenden Symptomen professionelle medizinische Hilfe in Anspruch.

**▲ WARNUNG Gefahren durch Vibration**

Der Anwender ist auch bei normaler und richtiger Anwendung der Maschine Vibrationen ausgesetzt. Häufige und regelmäßige Vibrationsbelastungen können zu Verletzungen der Finger, Hände, Handgelenke, Arme, Schultern und/oder der Nerven- oder Blutbahnen oder anderer Körperteile führen oder andere Körperteile führen oder bestehende Schädigungen verschlimmern. Es können chronische Beschwerden oder Schwächungen entstehen, die sich nur allmählich über Zeiträume von Wochen, Monaten oder Jahren entwickeln. Dazu kann eine Schädigung oder Störung des Blutkreislaufs, des Nervensystems, des Bewegungsapparats oder anderer Körperstrukturen gehören.

Falls während oder nach der Benutzung der Maschine andauernde Beschwerden, wie Taubheit, Brennen, Steifheit, Klopfen, Kribbeln, Schmerzen, eingeschränkte Feinmotorik oder Greiffunktion, weißliche Hautverfärbungen oder andere Symptome auftreten, stellen Sie die Arbeit ein, benachrichtigen Sie Ihren Arbeitgeber und begeben Sie sich in medizinische Betreuung. Wenn Sie nach dem Auftreten der genannten Beschwerden die Arbeit an der Maschine fortsetzen, kann das zu einer Verschlimmerung der Beschwerden oder zu chronischen Erkrankungen führen.

Betrieb und Wartung der Maschine sind entsprechend dieser Anleitung durchzuführen, um unnötig starke Vibrationen zu vermeiden.

Die folgenden Hinweise können dazu beitragen, die Vibrationsbelastung für den Anwender gering zu halten:

- ▶ Lassen Sie das Werkzeug die Arbeit verrichten. Wenden Sie zum Festhalten der Maschine nur soviel Kraft auf, wie für deren einwandfreie Steuerbarkeit und sicheren Betrieb mindestens erforderlich ist.
- ▶ Verfügt die Maschine über vibrationsdämpfende Griffe, halten Sie diese in einer zentralen Position, d. h. vermeiden die Griffe bis zum Anschlag nach unten zu drücken.
- ▶ Bei laufendem Schlagmechanismus dürfen Sie keinen anderen Körperkontakt mit der Maschine haben als die Hände am Griff oder an den Griffen. Vermeiden Sie jeden anderen Kontakt, z. B. Anlehnen irgendeines Körperteils an die Maschine, um die Vorschubkraft zu erhöhen. Wichtig ist auch, beim Zurückziehen des Werkzeugs aus der Bearbeitungsfläche den Start- und Stoppschalter nicht gedrückt zu halten.

- ▶ Stellen Sie sicher, dass das eingesetzte Werkzeug gut gewartet und nicht abgenutzt ist (einschl. der Schärfe, wenn es sich um ein Schneidwerkzeug handelt) und die richtige Größe hat. Werkzeuge, die nicht gut gewartet oder abgenutzt sind oder die falsche Größe haben, bewirken längere Bearbeitungszeiten und damit auch längere und höhere Vibrationsbelastungen.
- ▶ Stellen Sie sofort die Arbeit ein, wenn die Maschine plötzlich stark zu vibrieren anfängt. Ermitteln und beseitigen Sie die Ursache der verstärkten Vibrationen, bevor Sie die Arbeit fortsetzen.
- ▶ Fassen Sie während des Betriebs der Maschine niemals das Werkzeug an bzw. halten Sie es niemals fest.
- ▶ Nehmen Sie an medizinischen Untersuchungen und Kontrollen teil, wenn diese von Ihrem Arbeitgeber angeboten werden oder gesetzlich vorgeschrieben sind.
- ▶ Tragen Sie beim Arbeiten in kalter Umgebung warme Kleidung, und halten Sie Ihre Hände warm und trocken.
- ▶ Die Abluft ist sehr kalt und darf nicht mit dem Bediener in Berührung kommen. Leiten Sie die Abluft stets von den Händen und vom Körper weg.

Lesen Sie die für diese Maschine geltenden „Angaben zu Geräuschemission und Vibration“ einschließlich der angegebenen Vibrationswerte. Diese Informationen befinden sich am Ende dieser Sicherheits- und Betriebsanleitung.

- ◆ Halten Sie den für den Betrieb der Maschine empfohlenen Luftdruck ein. Höherer oder niedrigerer Luftdruck als der empfohlene kann zu stärkeren Vibrationen führen.

**▲ GEFAHR Gefahren durch elektrischen Strom**

Die Maschine ist nicht elektrisch isoliert. Wenn die Maschine mit Elektrizität in Kontakt kommt, kann dies zu ernsthaften Verletzungen oder zum Tod führen.

- ▶ Betreiben Sie die Maschine niemals in der Nähe von elektrischen Leitungen oder anderen Stromquellen.
- ▶ Stellen Sie sicher, dass innerhalb des Arbeitsbereichs keine verborgenen elektrischen Quellen vorhanden sind.

**▲ WARNUNG Gefahren durch verborgene Objekte**

Beim Arbeiten stellen verborgene Leitungen und Rohre eine Gefahr dar, die zu ernsthaften Verletzungen führen kann.

- ▶ Prüfen Sie vor Beginn der Arbeiten die Zusammensetzung des Materials.
- ▶ Achten Sie auf verborgene Kabel und Leitungen, z. B. Elektro-, Telefon-, Wasser-, Gas- und Abwasserleitungen.
- ▶ Wenn Sie meinen, dass der Nagel ein verborgenes Objekt getroffen hat, schalten Sie die Maschine sofort aus.
- ▶ Stellen Sie sicher, dass keine Gefahr besteht, bevor Sie fortfahren.

**▲ WARNUNG Unbeabsichtigter Start**

Unbeabsichtigtes Starten der Maschine kann zu Verletzungen führen.

- ▶ Halten Sie Ihre Hände so lange vom Start- und Stoppschalter fern, bis Sie zum Starten der Maschine bereit sind.
- ▶ Machen Sie sich damit vertraut, wie die Maschine im Notfall ausgeschaltet wird.
- ▶ Lassen Sie bei jeglicher Unterbrechung der Energieversorgung sofort den Start- und Stoppschalter los.
- ▶ Schalten Sie vor jeder Wartung, Installation, Inspektion oder Säuberung der Maschine die Luftzufuhr ab, lassen Sie die Maschine durch Betätigen des Start- und Stoppschalters auslaufen, und trennen Sie die Maschine von der Energieversorgung.

**▲ WARNUNG Gehörverlust**

Hohe Schallpegel können zu bleibendem Hörverlust und anderen Problemen wie Tinnitus (Klingel-, Summ-, Brumm- oder Pfeifgeräusche in den Ohren) führen. Zur Verringerung dieser Gefahren und zur Vermeidung von unnötig hohen Schallpegeln ist Folgendes zu beachten:

- ▶ Eine Risikoanalyse dieser Gefahren und eine Implementierung geeigneter Kontrollmaßnahmen werden dringend empfohlen.
- ▶ Betrieb und Wartung der Maschine sind entsprechend dieser Anleitung durchzuführen.
- ▶ Verfügt die Maschine über einen Schalldämpfer, stellen Sie sicher, dass dieser angebracht und in einwandfreiem Zustand ist.
- ▶ Tragen Sie stets einen Gehörschutz.

**Wartung, Vorsichtsmaßnahmen****▲ WARNUNG Änderungen an der Maschine**

Änderungen an der Maschine können zu schweren Unfällen führen.

- ▶ Nehmen Sie niemals Änderungen an der Maschine vor. Bei modifizierten Maschinen entfallen Garantie und Produkthaftung.
- ▶ Verwenden Sie stets Originalteile und Originalzubehör.
- ▶ Wechseln Sie beschädigte Bauteile sofort aus.
- ▶ Ersetzen Sie verschlissene Komponenten rechtzeitig.

**Lagerung, Vorsichtsmaßnahmen**

- ◆ Lagern Sie die Maschine und die Werkzeuge in einer sicheren, abgeschlossenen Umgebung und für Kinder unzugänglich.

## Übersicht

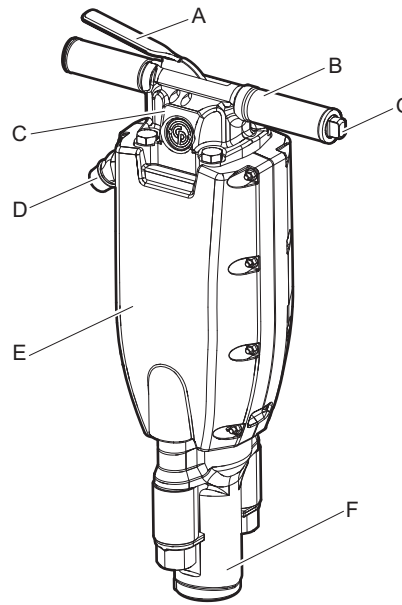
Lesen Sie bitte vor Installation, Betrieb, Reparatur und Wartung der Maschine bzw. vor dem Wechsel von Zubehör die Sicherheitshinweise und die Betriebsanleitung sorgfältig durch, um Unfallrisiken, die mit ernsthaften Verletzungen oder Lebensgefahr verbunden sein können, zu vermeiden.

## Konstruktion und Funktion

Die Modelle CP 1260 S SPDR und CP 1290 S SPDR sind für das Eintreiben von Nägeln bei Schienen-, Zelt, Bau- und Wartungsarbeiten konstruiert.

Sie besitzen eine offene Kopfvorderseite, wodurch eine Vielzahl von Objekten zum Eintreiben geeignet sind. Der maximale Kopfdurchmesser von Objekten beträgt 1 3/4 in. (44 mm). Die Druckluftnagelhämmer sind nur für vertikalen Betrieb ausgelegt. Eine andere Verwendung ist nicht zulässig.

## Hauptkomponenten

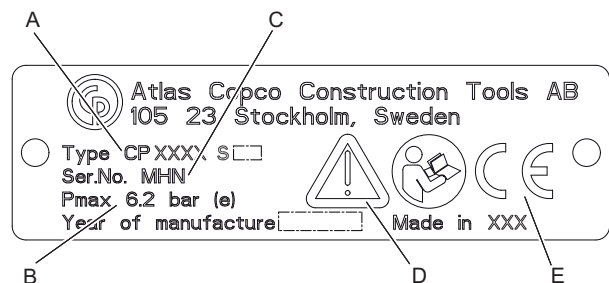


- A. Start- und Stoppschalter
- B. Griff
- C. Kopfrückseite
- D. Luftzufuhr
- E. Schalldämpfer
- F. Kopfvorderseite
- G. Schmiervorrichtung

## Etiketten

An der Maschine sind Etiketten mit wichtigen Informationen zu Sicherheit und Wartung angebracht. Die Etiketten müssen stets gut lesbar sein. Neue Etiketten können anhand der Ersatzteilliste bestellt werden.

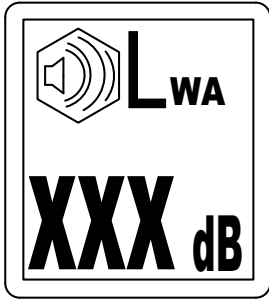
### Typenschild



- A. Maschinentyp
- B. Max. zulässiger Druckluftdruck
- C. Seriennummer

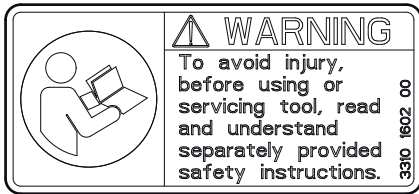
- D. Das Warnsymbol und das Buchsymbol weisen darauf hin, dass Sie vor dem ersten Einsatz der Maschine die Sicherheitshinweise und die Betriebsanleitung lesen müssen.
- E. Das CE-Zeichen zeigt an, dass die Maschine EG-geprüft ist. Weitere Informationen dazu finden Sie in der beigefügten EG-Konformitätserklärung. Fehlt das CE-Zeichen, bedeutet dies, dass die Maschine nicht EG-geprüft ist.

**Geräuschpegelkett**



Das Etikett gibt den garantierten Geräuschpegel entsprechend der EC-Richtlinie 2000/14/EC an. Den korrekten Geräuschpegelwert finden Sie unter „Technische Daten“.

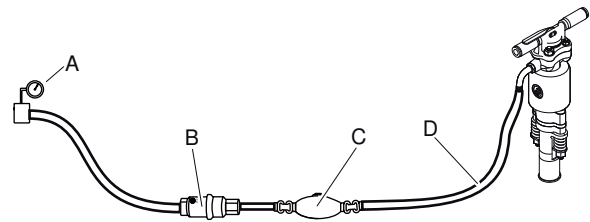
**Sicherheitsschild**



Lesen Sie vor Benutzung und Wartung des Werkzeugs die separat mitgelieferten Sicherheitshinweise sorgfältig durch, um Verletzungen zu vermeiden.

**Installation**

**Schläuche und Anschlüsse**



- A. Druckluftquelle
  - B. Wasserabscheider (optional)
  - C. Schmiervorrichtung (optional)
  - D. Max. 10 feet (3 m) Druckluftschlauch zwischen Schmiervorrichtung und Maschine.
- ◆ Stellen Sie sicher, dass Sie den richtigen Luftdruck von 87 psig (6 bar (e)) eingestellt haben.
  - ◆ Der für die Maschine zulässige maximale Luftdruck von 90 psig (6,2 bar (e)) darf nicht überschritten werden.
  - ◆ Blasen Sie alle Verunreinigungen aus dem Druckluftschlauch aus, bevor Sie die Maschine anschließen.
  - ◆ Wählen Sie für den Druckluftschlauch den richtigen Durchmesser und die passende Länge aus. Für Schlauchlängen bis 100 feet (30 m) sollte ein Innendurchmesser von mindestens 3/4 in. (19 mm) verwendet werden. Für Schlauchlängen von 100 bis 330 feet (30 bis 100 m) sollte ein Innendurchmesser von mindestens 1 in. (25 mm) verwendet werden.

**Methoden zur Vermeidung von Einfrieren**

Bei Umgebungstemperaturen von 32-50 °F (0-10 °C) und hoher relativer Luftfeuchtigkeit kann sich im Schalldämpfer Eis bilden.

Die Maschine ist so konstruiert, dass eine Eisbildung im Schalldämpfer vermieden wird. Dennoch kann sich unter extremen Bedingungen im Schalldämpfer Eis bilden.

Eine weitere Verringerung des Risikos für Eisbildung kann mit folgenden Maßnahmen erreicht werden:

- ◆ Verwenden Sie als Schmiermittel CP Airolene Plus Tool Oil. CP Airolene Plus Tool Oil wirkt der Eisbildung entgegen.
- ◆ Verwenden Sie einen Wasserabscheider.

## Anschließen eines Wasserabscheiders

Der Schlauch zwischen Kompressor und Wasserabscheider muss so lang sein, dass der Wasserdampf abkühlt und kondensiert, bevor er den Wasserabscheider erreicht.

Wenn die Umgebungstemperatur unter 32 °F (0 °C) liegt, muss der Schlauch kurz genug sein, damit das Wasser im Schlauch nicht gefriert, bevor es den Wasserabscheider erreicht.

## Schmierung

### Schmieren

Das Schmiermittel ist wichtig für die Funktionsfähigkeit der Maschine und hat großen Einfluss auf deren nutzbare Lebensdauer. Um die richtige Menge an Schmiermittel zuzuführen, sollte eine Schmiervorrichtung an den Luftschlauch angeschlossen werden. Die Verwendung einer Druckluftleitungs-Schmiervorrichtung von Chicago Pneumatic wird empfohlen. Um eine gute Schmierung zu gewährleisten, sollte die Länge des Luftschlauchs zwischen Schmiervorrichtung und Druckluftwerkzeug 10 feet (3 m) nicht überschreiten.

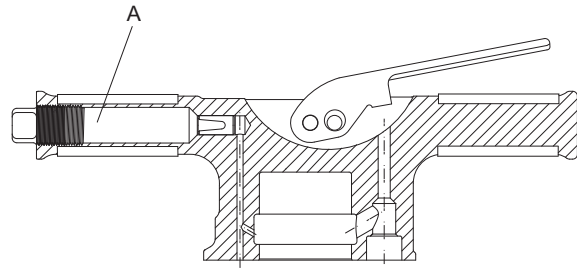
Zu viel Schmiermittel kann Startprobleme, geringe Leistung oder ungleichmäßigen Lauf verursachen. Verwenden Sie ein synthetisches Schmiermittel, z. B. CP Airolene Plus Tool Oil oder Mineralöl mit den in der Tabelle unten empfohlenen Eigenschaften.

Schmiermittel	Temperaturbereich °F (°C)	Viskosität
CP Airolene Plus Tool Oil	-4 bis +120 (-20 bis +50)	-
Druckluftwerkzeugöl	-4 bis +60 (-20 bis +15)	100-150 SUS (ISO VG 22-32)
Druckluftwerkzeugöl	+60 bis +120 (+15 bis +50)	225-350 SUS (ISO VG 46-68)

Es wird empfohlen, ein Öl zu verwenden, das Rostschutzmittel enthält.

### Schmierölstand prüfen und auffüllen

- ◆ Der Ölstand ist täglich zu prüfen.
- ◆ Säubern Sie den Bereich um den Ölstopfen und entfernen Sie den Stopfen.
- ◆ Prüfen Sie, dass die Gewinde nicht beschädigt oder abgenutzt sind.
- ◆ Jedes Teil mit beschädigtem oder abgenutztem Gewinde muss ausgewechselt werden.
- ◆ Schmieröl in (A) einfüllen.



- ◆ Den Stopfen wieder fest zudrehen und überschüssiges Öl abwischen.

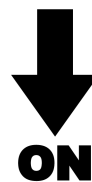
## Betrieb

### ▲ WARNUNG Unbeabsichtigter Start

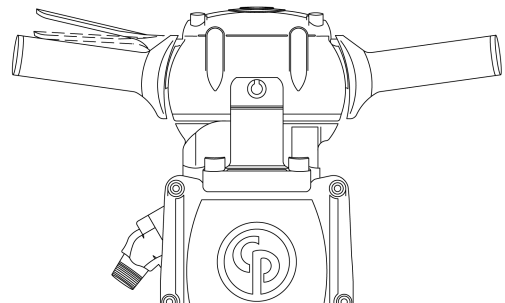
Unbeabsichtigtes Starten der Maschine kann zu Verletzungen führen.

- ▶ Halten Sie Ihre Hände so lange vom Start- und Stoppschalter fern, bis Sie zum Starten der Maschine bereit sind.
- ▶ Machen Sie sich damit vertraut, wie die Maschine im Notfall ausgeschaltet wird.
- ▶ Stoppen Sie die Maschine bei jeglicher Unterbrechung der Energieversorgung.

## Start und Stopp

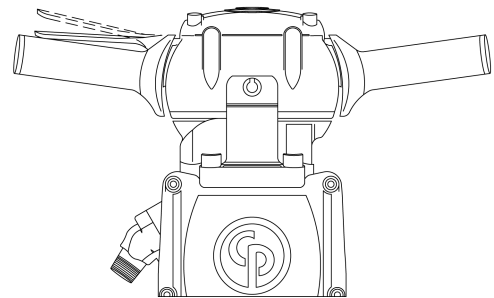


**ON**



Starten Sie den Druckluftnagelhammer durch Drücken des Start- und Stoppschalters.

**OFF**



Stoppen Sie den Druckluftnagelhammer durch Loslassen des Start- und Stoppschalters. Der Schalter kehrt automatisch in die Stopposition zurück.



## Betrieb

- ◆ Stellen Sie stets sicher, dass die einzutreibenden Nägel fest angesetzt sind.
- ◆ Setzen Sie den Nagelhammer über dem Nagel an, und richten Sie Nagelhammer und Nagel in einer Linie aus.
- ◆ Nehmen Sie eine stabile Standposition ein und halten Sie Ihre Füße vom Nagel fern.
- ◆ Üben Sie einen konstanten Druck auf den Nagel aus, und beginnen Sie mit dem Eintreiben.
- ◆ Lassen Sie den Start- und Stoppschalter los, wenn der Nagel korrekt sitzt.
- ◆ Lassen Sie die Maschine die Arbeit verrichten; drücken Sie nicht zu fest auf.
- ◆ Vermeiden Sie jeglichen Leerschlagbetrieb der Maschine im angehobenen Zustand.
- ◆ Wenn die Maschine angehoben wird, darf der Start- und Stoppschalter nicht bedient werden.
- ◆ Prüfen Sie regelmäßig, ob die Maschine gut geschmiert ist.

**HINWEIS** Fassen Sie während des Betriebs der Maschine niemals den Nagel an bzw. halten Sie ihn niemals fest.

## Einlegen von Pausen

- ◆ Bringen Sie die Maschine während jeder Pause außer Reichweite, so dass ein unbeabsichtigtes Starten der Maschine ausgeschlossen ist. Stellen Sie die Maschine stets so auf dem Boden ab, dass sie nicht umfallen kann.
- ◆ Bei längeren Pausen oder beim Verlassen des Arbeitsplatzes: Schalten Sie die Energieversorgung aus, und lassen Sie die Maschine durch Betätigen des Start- und Stoppschalters auslaufen.

## Wartung

Eine regelmäßige Wartung ist die Grundvoraussetzung für den Erhalt der Sicherheit und Effektivität der Maschine. Halten Sie sich bitte genau an die Wartungsanweisungen.

- ◆ Säubern Sie die Maschine vor dem Start, um gefährliche Substanzen fernzuhalten. Siehe „Gefahren durch Abgase und Staub“
- ◆ Verwenden Sie ausschließlich Originalbauteile. Schäden oder Fehlfunktionen, die durch den Einsatz unzulässiger Bauteile entstehen, werden nicht durch Garantie oder Produkthaftung abgedeckt.
- ◆ Stellen Sie beim Reinigen mechanischer Teile mit Lösungsmittel sicher, dass die geltenden Gesundheits- und Sicherheitsvorschriften eingehalten werden und dass für ausreichende Lüftung gesorgt ist.
- ◆ Für eine Hauptdurchsicht der Maschine wenden Sie sich an die nächstgelegene Vertragswerkstatt.
- ◆ Prüfen Sie nach jeder Wartung, ob die Vibrationsstärke der Maschine normal ist. Ist dies nicht der Fall, wenden Sie sich an die nächstgelegene Vertragswerkstatt.

## Täglich

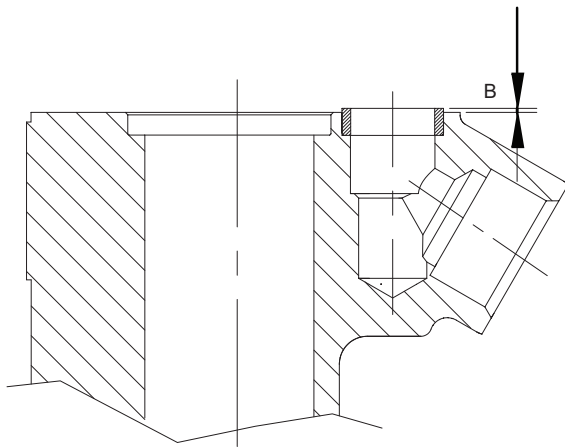
Schalten Sie bei pneumatischen Maschinen vor jeder Wartung immer die Druckluftversorgung aus und lassen Sie die Maschine durch Betätigen des Start- und Stoppschalters auslaufen. Trennen Sie anschließend den Druckluftschlauch von der Maschine.

- ◆ Säubern und prüfen Sie die Maschine auf ihre Funktionsfähigkeit täglich vor Arbeitsbeginn.
- ◆ Führen Sie eine allgemeine Prüfung auf Undichtigkeiten und Beschädigungen durch.
- ◆ Stellen Sie sicher, dass der Einlassnippel festgezogen und die Klauenkupplung nicht beschädigt ist.
- ◆ Wechseln Sie beschädigte Bauteile sofort aus.
- ◆ Ersetzen Sie verschlissene Komponenten rechtzeitig.
- ◆ Stellen Sie sicher, dass Ausrüstung und Zubehör, z. B. Schläuche, Wasserabscheider und Schmiervorrichtungen, gut gewartet sind.

## Montageanleitung

Montage und Demontage des Werkzeugs müssen sorgfältig durchgeführt werden, um Abgraten, Riefenbildung oder Verformung passgenauer Präzisionsteile zu vermeiden.

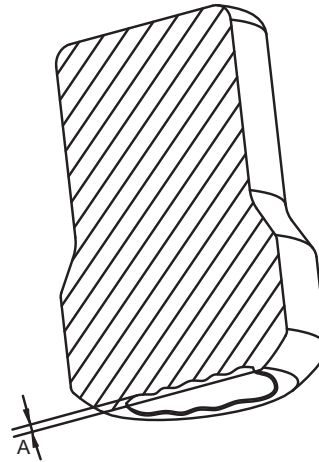
1. Prüfen Sie alle Kontaktflächen zwischen Metallteilen vor und während der Montag auf Scharten und Grate.
2. Fetten Sie vor der Remontage alle O-Ringe und schmieren Sie alle beweglichen Teile des Werkzeugs mit den empfohlenen Schmiermitteln.
3. Achten Sie während der Montage darauf, dass das Werkzeug sauber bleibt, besonders an den Kontaktoberflächen.
4. Die Bolzen der Kopfvorderseite müssen so angezogen werden, dass die Puffer gleichmäßig auf die Länge im zusammengebauten Zustand zusammengedrückt werden, siehe Abschnitt „Anziehdrehmomente“.
5. Nach beendeter Montage füllen Sie ca. ½ oz. (1,5 cl) des empfohlenen Öls in die Luftzufuhr und nehmen den Druckluftnagelhammer mit reduzierter Leistung für 10–15 Sekunden in Betrieb. Wenn der Druckluftnagelhammer auf dem Boden betrieben wird, lassen Sie ihn mit reduzierter Leistung laufen, um Schäden an Kolben, Ambossblock und Kopfvorderseite zu vermeiden.
6. Bevor Sie die Kopfrückseite auf dem Zylinder montieren, stellen Sie sicher, dass die Dichtung ca. (B) 1/16 in. (1,6 mm) aus der Zylinderfläche herausragt.



## Regelmäßige Wartung

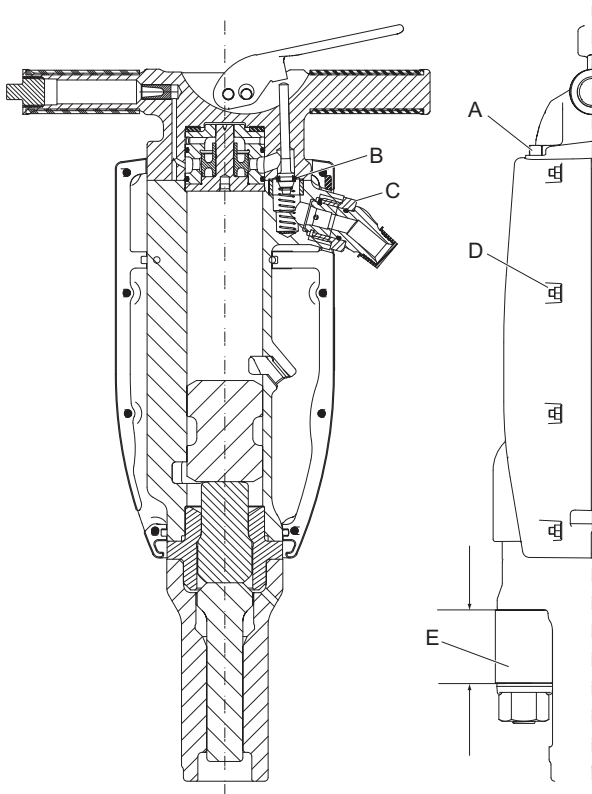
Nach einer Betriebsdauer von ca. 150 Stunden (oder zweimal pro Jahr) muss die Maschine zerlegt und alle Teile gereinigt und geprüft werden. Diese Arbeit muss von speziell hierfür geschultem Personal durchgeführt werden.

1. Stellen Sie sicher, dass die Kontaktflächen sauber und glatt und die Bolzen festgezogen sind.
2. Säubern und überprüfen Sie die inneren Teile sorgfältig und stellen Sie sicher, dass sie frei von Rost, Sand und Fremdkörpern sind.
3. Säubern und überprüfen Sie die Ventileile sorgfältig. Stellen Sie sicher, dass das Ventil nicht verklemmt ist.
4. Stellen Sie sicher, dass die Schlagflächen auf dem Ambossblock parallel und plan sind. Wenn der Block eine Vertiefung aufweist, schleifen Sie die hohen Ränder ab; berühren Sie jedoch nicht die polierten Flächen, an denen Amboss und Stahlschaft aufeinandertreffen. Maximal zulässige Abnutzung (A) 1/32 " (1mm). Siehe auch die untenstehende Abbildung.



## Anziehdrehmomente

**HINWEIS** Verwenden Sie Loctite® 263™ oder Ähnliches beim Anbringen einer Klauenkupplung am Stutzen (Loctite ist ein eingetragenes Warenzeichen der Henkel Corporation; 263 ist ein Warenzeichen der Henkel Corporation).



- A. Anziehdrehmoment: CP 1260 S SPDR und CP 1290 S SPDR, 100 lbf.ft (135 Nm).
- B. Die Zylinderdichtung muss vor der Montage ca.  $\frac{1}{16}$  in. (1,6 mm) aus der Kopfrückseite herausragen.
- C. Anziehdrehmoment: 150 lbf.ft (200 Nm). Verwenden Sie Loctite® 263™ (Loctite ist ein eingetragenes Warenzeichen der Henkel Corporation; 263 ist ein Warenzeichen der Henkel Corporation).
- D. Anziehdrehmoment, Schalldämpfer 6–7 lbf.ft (8–10 Nm).
- E. Länge des Puffers im zusammengebauten Zustand.

Typ	Min.-Max. Länge in. (mm)
CP 1260 S SPDR	2,14 -2,19 (54,4–55,6)
CP 1290 S SPDR	2,55 -2,61 (64,8–66,2)

## Fehlersuche

Wenn die Druckluftmaschine nicht startet oder geringe oder ungleichmäßige Leistung abgibt, prüfen Sie die folgenden Punkte.

- ◆ Stellen Sie sicher, dass die Druckluftmaschine mit der korrekten Menge Schmiermittel versorgt wird. Zu viel Schmiermittel kann Startprobleme, geringe oder ungleichmäßige Leistung verursachen.
- ◆ Stellen Sie sicher, dass das Druckluftsystem die Maschine mit ausreichend Druckluft für maximale Leistung versorgt.
- ◆ Prüfen Sie, ob Länge und Durchmesser des Druckluftschlauchs den Empfehlungen entsprechen. Siehe „Installation“.
- ◆ Falls Eisbildungsgefahr besteht, stellen Sie sicher, dass die Abluftöffnungen der Maschine nicht blockiert sind.
- ◆ Wenn die Maschine nach diesen Verfahren weiterhin nicht zufriedenstellend funktioniert, wenden Sie sich bitte an eine Vertragswerkstatt.

## Lagerung

- > Reinigen Sie die Maschine gut vor der Lagerung, um gefährliche Substanzen fernzuhalten. Siehe „Gefahren durch Abgase und Staub“
- > Füllen Sie ca. 1/2 oz (5 cl) Öl direkt in den Lufteinlassnippel, verbinden die Maschine mit der Druckluftversorgung, und lassen Sie sie für ein paar Sekunden laufen.
- > Lagern Sie die Maschine immer an einem trockenen Ort.

## Entsorgung

Eine verschlissene Maschine muss so entsorgt werden, dass so viel Material wie möglich wiederverwendet werden kann und die Umwelt in Übereinstimmung mit den örtlichen Regelungen so wenig wie möglich belastet wird.

# Technische Daten

## Maschinendaten

Typ	Maximaler Kopfdurchmesser in. (mm)	Gewicht lb (kg)	Länge in. (mm)	Schlagfreq. bpm (Hz)	Luftdurchsatz cfm (l/s)
CP 1260 S SPDR	1¼ (44)	65 (29,5)	24,7 (625)	1300 (21,5)	73 (34,5)
CP 1290 S SPDR	1¼ (44)	84 (38)	26 (660)	1100 (18,3)	91 (43)

## Angaben zu Geräuschemission und Vibration

Garantierter Schallleistungspegel **L<sub>w</sub>** gemäß EN ISO 3744 in Übereinstimmung mit der Richtlinie 2000/14/EG. Schalldruckpegel **L<sub>p</sub>** gemäß EN ISO 11203.

Vibrationswert **A** und Unsicherheit **B**, ermittelt gemäß EN ISO 20643. Die Werte A, B usw. sind in der Tabelle „Angaben zu Geräuschemission und Vibration“ enthalten.

Die angegebenen Werte wurden durch Bauartprüfung im Labor entsprechend den angegebenen Richtlinien bzw. Normen ermittelt und eignen sich nur für den Vergleich mit den angegebenen Werten anderer Werkzeuge, die entsprechend den gleichen Richtlinien bzw. Normen ermittelt wurden. Die angegebenen Werte eignen sich nicht zur Verwendung in Risikoanalysen, denn die in individuellen Arbeitsumgebungen gemessenen Werte können höher sein. Die tatsächliche Belastung und das Verletzungsrisiko für den einzelnen Anwender hängen jeweils von der Arbeitsweise des Anwenders, vom bearbeiteten Material, von der Belastungsdauer, von der physischen Kondition des Anwenders und vom Zustand der Maschine ab.

Atlas Copco Construction Tools AB haftet nicht für Folgen, falls die genannten Werte anstelle der Werte verwendet werden, die der tatsächlichen Belastung entsprechen, hervorgehend aus einer individuellen Risikoanalyse in einer Arbeitsplatzsituation, die wir nicht beeinflussen können.

Diese Maschine kann das Hand-Arm Vibrationssyndrom auslösen, wenn sie nicht angemessen bedient wird. Eine EU-Richtlinie zum Umgang mit Hand-Arm-Vibrationen ist über <http://www.humanvibration.com/humanvibration/EU/VIBGUIDE.html> abrufbar.

Wir empfehlen ein Gesundheitsüberwachungsprogramm zur Erkennung auch erster Symptome, die möglicherweise auf eine Vibrationsbelastung zurückzuführen sind, so dass betriebliche Maßnahmen zur Vorbeugung jeglicher Beeinträchtigungen ergriffen werden können.

## Angaben zu Geräuschemission und Vibration

Typ	Geräuschemission		Vibration	
	Schalldruck	Schallleistung	Dreiaachsenwerte	
	Angegebene Werte		Angegebene Werte	
	EN ISO 11203	2000/14/EG	EN ISO 20643	
	<b>L<sub>p</sub></b> r=1m dB(A) bei 20 µPa	<b>L<sub>w</sub></b> garantiert dB(A) bei 1 pW	<b>A</b> m/s <sup>2</sup> Wert	<b>B</b> m/s <sup>2</sup> Verteilung
CP 1260 S SPDR	97	110	20,7	2,5
CP 1290 S SPDR	98	111	18,4	2,3

Crowder Supply Co., Inc. • 8495 Roslyn St., Commerce City, CO 80022 • Toll Free: 888-883-5144 • www.CrowderSupply.com

# EG-Konformitätserklärung

## EG-Konformitätserklärung (EG-Richtlinie 2006/42/EG)

Wir, die Atlas Copco Construction Tools AB, erklären hiermit, dass die nachfolgend aufgelisteten Maschinen die Bestimmungen der EG-Richtlinien 2006/42/EG (Maschinenrichtlinie) und 2000/14/EG (Lärmschutzrichtlinie) sowie die nachfolgend genannten harmonisierten Normen erfüllen.

Hand-Druckluft nagelhämmer	Garantierter Schalleistungspegel [dB(A)]	Gemessener Schalleistungspegel [dB(A)]	Pmax [bar]
CP 1260 S SPDR	110	108	6,2
CP 1290 S SPDR	111	109	6,2

### Folgende harmonisierte Normen wurden angewandt:

- ◆ EN ISO 11148-4

### Folgende andere Normen wurden angewandt:

- ◆ Lloyds Register Quality Assurance, NoBo no.0088

### Bevollmächtigter für die technische Dokumentation:

Erik Sigfridsson  
Atlas Copco Construction Tools AB  
Dragonvägen 2  
Kalmar

### Vizepräsident – Design und Entwicklung:

Erik Sigfridsson

### Hersteller:

Atlas Copco Construction Tools AB  
391 27 Kalmar  
Sweden

### Ort und Datum:

Kalmar, 2012-11-30

Crowder Supply Co., Inc. • 8495 Roslyn St., Commerce City, CO 80022 • Toll Free: 888-883-5144 • www.CrowderSupply.com

**ESPAÑOL**

**Contenido**

**Introducción** ..... 57

**Acerca de las instrucciones de seguridad y de funcionamiento** ..... 57

**Instrucciones de seguridad** ..... 58

    Terminología de las señales de seguridad ..... 58

    Precauciones y cualificaciones del personal ..... 58

    Instalación, precauciones ..... 58

    Funcionamiento, precauciones ..... 59

    Mantenimiento, precauciones ..... 62

    Almacenamiento, precauciones ..... 62

**Visión general** ..... 63

    Diseño y funcionamiento ..... 63

    Piezas principales ..... 63

    Etiquetas ..... 63

**Instalación** ..... 64

    Mangueras y conexiones ..... 64

    Métodos para evitar la congelación ..... 64

    Conexión de un separador de agua ..... 65

    Lubricación ..... 65

**Funcionamiento** ..... 65

    Puesta en marcha y parada ..... 65

    En funcionamiento ..... 66

    En los descansos ..... 66

**Mantenimiento** ..... 66

    A diario ..... 66

    Instrucciones de montaje ..... 66

    Mantenimiento periódico ..... 67

    Pares de apriete ..... 67

**Localización y resolución de problemas** ..... 69

**Almacenaje** ..... 69

**Desechar** ..... 69

**Especificaciones técnicas** ..... 70

    Datos de la máquina ..... 70

    Declaración de ruido y vibraciones ..... 70

    Datos de ruido y vibraciones ..... 70

**Declaración CE de conformidad** ..... 71

    Declaración CE de conformidad (Directiva 2006/42/CE) ..... 71

Crowder Supply Co., Inc. • 8495 Roslyn St., Commerce City, CO 80022 • Toll Free: 888-883-5144 • www.CrowderSupply.com



## Introducción

Gracias por elegir productos de la marca Chicago Pneumatic. Durante más de un siglo, la marca Chicago Pneumatic ha sido la representación del rendimiento y la innovación en la industria de las herramientas neumáticas.

Actualmente se encuentra en todo el mundo con una amplia gama de herramientas neumáticas e hidráulicas, como por ejemplo martillos, perforadoras, cinceladores, excavadoras de tierra, picos, remachadoras, desbastadoras, bombas y muchas otras herramientas.

La marca Chicago Pneumatic se relaciona con productos potentes y fiables, fáciles de mantener y con una buena relación calidad-precio.

Para obtener más información, visite [www.cp.com](http://www.cp.com)

Atlas Copco Construction Tools AB  
Box 703  
391 27 Kalmar  
Sweden

## Acerca de las instrucciones de seguridad y de funcionamiento

El objetivo de las instrucciones es ofrecerle indicaciones sobre el uso del hincador de estacas neumático de forma segura y eficaz. Asimismo, las instrucciones le aconsejan sobre el modo de realizar el mantenimiento regular del hincador de estacas neumático.

Antes de utilizarlo por primera vez debe leer estas instrucciones con atención y entenderlas en su totalidad.

# Instrucciones de seguridad

Para reducir el riesgo de que usted u otras personas padezcan lesiones graves o la muerte, lea las Instrucciones de seguridad y funcionamiento antes de instalar, usar, reparar o cambiar la máquina o de realizar su mantenimiento.

Exponga estas instrucciones de seguridad y funcionamiento en las zonas de trabajo, proporcione copias a los empleados y asegúrese de que todos las lean antes de utilizar o reparar la máquina.

Además, el operario o su empleador deberá evaluar los riesgos específicos que pueden surgir como resultado del uso de la máquina.

## Terminología de las señales de seguridad

Los términos de seguridad Peligro, Atención y Cuidado tienen los siguientes significados:

<b>PELIGRO</b>	Indica una situación de peligro que, si no se evita, ocasionará la muerte o lesiones graves.
<b>ADVERTENCIA</b>	Indica una situación de peligro que, si no se evita, podría ocasionar la muerte o lesiones graves.
<b>ATENCIÓN</b>	Indica una situación de peligro que, si no se evita, podría ocasionar lesiones menores o moderadas.

## Precauciones y cualificaciones del personal

Sólo personas cualificadas y debidamente formadas pueden utilizar u ocuparse del mantenimiento de la máquina. Deben poder manejar físicamente el volumen, el peso y la potencia de la herramienta. Utilice siempre su sentido común y buen juicio.

### Equipo de protección personal

Utilice siempre equipo de protección autorizado. Los operarios y el resto del personal del área de trabajo deben llevar, como mínimo, el siguiente equipo de protección:

- > Casco de protección
- > Protección auditiva
- > Protección ocular resistente a los impactos con protección lateral
- > Protección respiratoria, cuando sea necesario
- > Guantes protectores

- > Botas protectoras adecuadas
- > Una bata de trabajo adecuada o prenda similar (no holgada) que cubra los brazos y las piernas.

### Drogas, alcohol y medicación

#### ▲ ADVERTENCIA Drogas, alcohol y medicación

Las drogas, el alcohol y la medicación pueden alterar la capacidad de juicio y el poder de concentración. Las malas reacciones y las valoraciones incorrectas pueden provocar accidentes graves o la muerte.

- ▶ Nunca utilice la máquina cuando esté cansado o bajo los efectos de drogas, alcohol o medicinas.
- ▶ Nadie que esté bajo los efectos de drogas, alcohol o medicinas podrá manejar la máquina.

## Instalación, precauciones

### ▲ PELIGRO Manguera de aire suelta

Una manguera de aire comprimido suelta puede asestar latigazos y ocasionar lesiones o incluso la muerte. Para reducir este riesgo:

- ▶ Compruebe que la manguera de aire comprimido y las conexiones no estén dañadas y sustitúyalas si es necesario.
- ▶ Compruebe que todas las conexiones de aire comprimido estén debidamente conectadas.
- ▶ No arrastre nunca una máquina neumática por la manguera del aire.
- ▶ No intente nunca desconectar una manguera de aire comprimido que esté presurizada. En primer lugar, apague el suministro de aire comprimido del compresor y, a continuación, purgue la máquina activando el dispositivo de puesta en marcha y parada.
- ▶ No utilice acoplamiento rápidos de desconexión en la entrada de la herramienta. Utilice fijaciones roscadas de la manguera de acero endurecido (o de otro material con una resistencia de choque similar).
- ▶ Siempre que se utilicen acoplamiento universales roscados (acoplamiento de garras), recomendamos que se coloquen pasadores de seguridad y se utilicen cables con válvula de seguridad para proteger la manguera ante posibles fallos de conexión de la manguera a la herramienta y entre mangueras.
- ▶ No dirija nunca una manguera de aire comprimido hacia sí mismo ni a otras personas. Para evitar el riesgo de lesiones, no utilice nunca una manguera de aire comprimido para limpiar el polvo, la suciedad, etc. de la ropa.

## Funcionamiento, precauciones

### ▲ PELIGRO Peligro de explosión

Si una estaca entra en contacto con explosivos o gases explosivos, se podría producir una explosión. Al trabajar con ciertos materiales y al utilizar determinados materiales en las piezas de la máquina, se pueden producir chispas y fuego. Las explosiones pueden producir lesiones graves o la muerte.

- ▶ Nunca utilice la máquina en un entorno explosivo.
- ▶ Nunca utilice la máquina cerca de materiales inflamables, humos o polvo.
- ▶ Asegúrese de que no haya fuentes de gas ni explosivos no detectados.

### ▲ ADVERTENCIA Movimientos inesperados

Durante su uso, el hincador de estacas está expuesto a fuertes tensiones que pueden causar movimientos repentinos e inesperados, los cuales pueden a su vez producir lesiones. Asimismo, si alguien pierde el equilibrio o resbala, podría sufrir lesiones.

- ▶ Asegúrese de estar siempre en una posición estable, con los pies separados a la misma distancia que la anchura de los hombros y con el peso del cuerpo equilibrado.
- ▶ Inspeccione siempre el equipo antes de usarlo. No utilice el equipo si cree que puede estar dañado.
- ▶ Compruebe que las empuñaduras estén limpias y que no tengan grasa ni aceite.
- ▶ Mantenga las manos y los pies alejados de la estaca.
- ▶ Manténgase firmemente de pie y agarre siempre la máquina con ambas manos.
- ▶ Nunca arranque la máquina cuando esté en el suelo.
- ▶ Nunca "pise" en la máquina con un pie sobre la empuñadura.
- ▶ No golpee nunca ni maltrate el equipo.
- ▶ Preste atención y fíjese en lo que está haciendo.

### ▲ ADVERTENCIA Riesgos relacionados con el polvo y el humo

El polvo y los humos que se generan o dispersan al usar la máquina pueden causar dolencias o enfermedades respiratorias graves y permanentes u otras lesiones corporales (por ejemplo, silicosis y otras enfermedades pulmonares irreversibles que pueden resultar mortales, cáncer, malformaciones congénitas e inflamación de la piel).

El polvo y los humos generados por la perforación, la rotura, el martilleo, el aserrado, el esmerilado y otras actividades de construcción pueden contener sustancias consideradas por el Estado de California y otras autoridades como causantes de enfermedades respiratorias, cáncer, malformaciones congénitas y otros daños reproductivos. Algunos ejemplos de estas sustancias son:

- > Sílice cristalino, cemento y otros productos de albañilería.
- > Arsénico y cromo procedente del caucho tratado con sustancias químicas.
- > Plomo procedente de pinturas al plomo.

El polvo y los humos del aire pueden ser invisibles a simple vista, así que no confíe en su buena vista para determinar si hay polvo o humos en el aire.

Para reducir el riesgo de exposición al polvo y a los humos, haga todo lo siguiente:

- ▶ Lleve a cabo una evaluación del riesgo específica del emplazamiento. La evaluación del riesgo debe incluir el polvo y los humos generados por el uso de la máquina y la posibilidad de alterar el polvo existente.
- ▶ Utilice controles de ingeniería adecuados para minimizar la cantidad de polvo y humos presentes en el aire y para minimizar la acumulación de polvo sobre el equipo, las superficies, la ropa y las partes del cuerpo. Algunos ejemplos de controles son: sistemas de ventilación y captación de polvo, rociadores de agua y perforaciones con inyección de agua. Controle el polvo y los humos en el origen cuando sea posible. Asegúrese de que los controles se instalen, conserven y utilicen adecuadamente.
- ▶ Lleve, conserve y utilice correctamente la protección respiratoria según indican las instrucciones del empleador y según los requisitos de las normativas de salud y seguridad en el trabajo. La protección respiratoria debe ser eficaz para el tipo de sustancia concreta (y, si procede, aprobada por la autoridad gubernamental correspondiente).
- ▶ Trabaje en una zona bien ventilada.
- ▶ Si la máquina tiene tubo de escape, diríjalo convenientemente de forma que se mueva el menor polvo posible donde éste sea abundante.

- ▶ Maneje y conserve la máquina según lo recomendado en las instrucciones de funcionamiento y seguridad.
- ▶ Seleccione, conserve y sustituya los consumibles, la herramienta de inserción y demás accesorios según lo recomendado en las instrucciones de funcionamiento y seguridad. La selección incorrecta o la falta de mantenimiento de los consumibles, de la herramienta insertada y demás accesorios puede causar un aumento innecesario del polvo o de los humos.
- ▶ Lleve prendas protectoras lavables o desechables en el lugar de trabajo; dúchese y póngase ropa limpia antes de salir del lugar de trabajo para reducir su exposición al polvo y a los humos y la de otras personas, coches, casas y otras zonas.
- ▶ Nunca coma, beba ni fume en zonas donde haya polvo o humos.
- ▶ Lávese las manos y la cara a fondo lo antes posible cuando salga de la zona de exposición, y siempre antes de comer, beber, usar productos relacionados con el tabaco o tener contacto con otras personas.
- ▶ Cumpla todas las leyes y normativas aplicables, incluidas las normativas de salud y seguridad en el trabajo.
- ▶ Participe en los programas de control del aire y en los exámenes médicos y en los programas de formación de salud y seguridad proporcionados por su empleador o por las organizaciones sindicales y conformes con las normativas y recomendaciones de salud y seguridad en el trabajo. Consulte con médicos que tengan experiencia en medicina del trabajo.
- ▶ Colabore con su empleador y con la organización sindical para reducir la exposición al polvo y a los humos en las obras y para reducir los riesgos. Se deben crear y poner en práctica programas, políticas y procedimientos eficaces de salud y seguridad, para proteger a los trabajadores y a las demás personas contra la exposición nociva al polvo y a los humos, a partir del asesoramiento de expertos de salud y seguridad. Consulte con los expertos.
- ▶ Los residuos de sustancias peligrosas de la máquina pueden constituir un riesgo. Antes de hacer el mantenimiento de la máquina, límpiela a fondo.

### ▲ **ADVERTENCIA**    **Proyectiles**

Un fallo de la pieza de trabajo, de los accesorios o incluso de la propia máquina puede generar proyectiles a alta velocidad. Durante el funcionamiento, las astillas y otras partículas del material de trabajo pueden actuar como proyectiles y causar daños corporales al golpear al operario o a otras personas. Para reducir estos riesgos:

- ▶ Utilice un equipo de protección personal aprobado y un casco de seguridad, incluida la protección ocular contra impactos con protección lateral.
- ▶ Asegúrese de que las personas no autorizadas no entren en la zona de trabajo.
- ▶ Mantenga el lugar de trabajo libre de objetos extraños.
- ▶ Asegúrese de que la estaca esté bien sujeta.

### ▲ **ADVERTENCIA**    **Peligros del hincador de estacas**

Si la estaca no está bien fijada en la pieza del trabajo antes de hacer funcionar la máquina, hay riesgo de lesiones corporales.

- ▶ Asegúrese siempre de fijar la estaca antes de hacer funcionar la máquina.
- ▶ Nunca sujete ni toque la estaca al hincarla.

### ▲ **ADVERTENCIA**    **Peligros de deslizamiento, desconexión y caída**

Hay riesgo de deslizamiento, desconexión o caída, por ejemplo desconexión de las mangueras u otros objetos. El deslizamiento, la desconexión y la caída pueden provocar lesiones. Para reducir este riesgo:

- ▶ Asegúrese siempre de que no haya mangueras ni otros objetos que obstaculicen su paso o el de otras personas.
- ▶ Asegúrese de estar siempre en una posición estable, con los pies separados a la misma distancia que la anchura de los hombros, y con el peso del cuerpo equilibrado.

### ▲ **ADVERTENCIA**    **Riesgos relativos al movimiento**

Al usar la máquina para realizar actividades relacionadas con el trabajo, puede experimentar malestar en las manos, los brazos, los hombros, el cuello y otras partes del cuerpo.

- ▶ Adopte una postura cómoda manteniendo el pie firme y evitando extrañas posturas en desequilibrio.
- ▶ El cambio de postura durante las tareas prolongadas puede ayudar a evitar el malestar y la fatiga.
- ▶ En caso de tener síntomas continuos o periódicos, consulte a un profesional de la salud cualificado.

**▲ ADVERTENCIA Riesgos relacionados con las vibraciones**

El uso normal y correcto de la máquina expone al operario a las vibraciones. La exposición regular y frecuente a las vibraciones puede ocasionar lesiones o trastornos (o contribuir a provocarlos o agravarlos) en dedos, manos, muñecas, brazos, hombros y/o nervios y riego sanguíneo u otras partes del cuerpo del operario, incluidas lesiones o trastornos permanentes y/o debilitantes que pueden desarrollarse gradualmente durante periodos de semanas, meses o años. Estas lesiones o trastornos pueden consistir en el deterioro del sistema circulatorio sanguíneo, del sistema nervioso, de las articulaciones y otros daños en distintas zonas del cuerpo.

Si en algún momento siente entumecimiento, malestar continuo periódico, ardor, agarrotamiento, dolor punzante, hormigueo, dolor, torpeza, débil agarre en las manos, piel pálida u otros síntomas, tanto si está usando la máquina como si no, deje de usarla, avise a su empleador y acuda al médico. El uso continuado de la máquina tras la aparición de alguno de estos síntomas puede hacer que aumente el riesgo de que los síntomas se agraven o se hagan permanentes.

Maneje y conserve la máquina según lo recomendado en estas instrucciones, con el fin de evitar un aumento innecesario de las vibraciones.

Las siguientes indicaciones pueden ayudar a reducir la exposición a las vibraciones para el operario:

- ▶ Deje que sea la máquina la que haga el trabajo. Agárrela lo mínimo, para controlarla correctamente y que su uso sea seguro.
- ▶ Si la máquina tiene empuñaduras de absorción de vibraciones, manténgalas en posición central, evitando presionarlas en los topes finales.
- ▶ Cuando se active el mecanismo de percusión, el único contacto corporal con la máquina que se debe tener es el de las manos en la empuñadura o las empuñaduras. Evite cualquier otro contacto, como por ejemplo descansar una parte del cuerpo en la máquina o apoyarse en ella para aumentar la fuerza de avance. También es importante no mantener el dispositivo de puesta en marcha y parada encendido al mismo tiempo que se extrae la herramienta de la superficie de trabajo.
- ▶ Asegúrese de que la herramienta insertada se encuentra en buen estado (incluso el afilado, si se trata de una herramienta de corte), no está gastada y es del tamaño adecuado. Las herramientas de inserción que no se encuentran en buen estado, están gastadas o no son del tamaño adecuado alargan el tiempo de realización de una tarea (y de exposición a las vibraciones) y pueden contribuir a la exposición a niveles más altos de vibración.

- ▶ Deje de trabajar inmediatamente, si de repente la máquina empieza a vibrar violentamente. Antes de continuar trabajando, averigüe y elimine la causa del incremento de las vibraciones.
- ▶ Nunca agarre, sostenga ni toque la herramienta de trabajo cuando utilice la máquina.
- ▶ Participe en las inspecciones o los controles de salud, en los exámenes médicos y en los programas de formación ofrecidos por su empleador y cuando la ley así lo exija.
- ▶ Cuando trabaje en climas fríos lleve ropa de abrigo y mantenga las manos calientes y secas.
- ▶ El aire del escape es muy frío y no debe contactar con el operario. Mantenga siempre el aire del escape alejado de las manos y del cuerpo.

Consulte la “Declaración de ruido y vibraciones” de la máquina, incluidos los valores de vibración declarados. Puede encontrar esta información al final de las instrucciones de seguridad y de funcionamiento

- ◆ Asegúrese de satisfacer la presión atmosférica recomendada al utilizar la máquina. Una presión atmosférica más alta o más baja puede producir niveles más altos de vibración.

**▲ PELIGRO Riesgos relacionados con la electricidad**

La máquina no está aislada eléctricamente. Si la máquina entra en contacto con la electricidad, podría provocar lesiones graves o la muerte.

- ▶ No utilice nunca la máquina cerca de un cable eléctrico ni otra fuente de electricidad.
- ▶ Compruebe que no haya cables u otras fuentes de electricidad ocultos en el área de trabajo.

**▲ ADVERTENCIA Peligros relacionados con objetos ocultos**

Durante el funcionamiento, los cables y los tubos ocultos constituyen un peligro, ya que pueden ocasionar lesiones graves o la muerte.

- ▶ Compruebe la composición del material antes del funcionamiento.
- ▶ Fíjese bien en que no haya cables ni tubos ocultos, como por ejemplo líneas de electricidad, teléfono, agua, gas y aguas residuales.
- ▶ Si la estaca parece haber topado con un objeto oculto, apague la máquina de inmediato.
- ▶ Compruebe que no haya ningún peligro antes de continuar.

**▲ ADVERTENCIA Encendido involuntario**

El encendido involuntario de la máquina puede producir lesiones.

- ▶ Mantenga las manos alejadas del dispositivo de puesta en marcha y parada hasta que esté listo para arrancar la máquina.
- ▶ Sepa cómo apagar la máquina en caso de producirse una emergencia.
- ▶ Libere el dispositivo de puesta en marcha y parada inmediatamente siempre que se interrumpa el suministro eléctrico.
- ▶ Antes de iniciar cualquier tipo de mantenimiento, instalación, inspección o limpieza, interrumpa el suministro de aire, purgue la máquina activando el dispositivo de puesta en marcha y parada y desconecte la máquina de la unidad de potencia.

**▲ ADVERTENCIA Riesgos relacionados con el ruido**

Los altos niveles de ruido pueden producir pérdida de audición permanente e incapacitante y otros problemas tales como acúfenos (vibración, zumbido, silbido o ronroneo en los oídos). Para reducir el riesgo y evitar un aumento innecesario de los niveles de ruido:

- ▶ Es esencial hacer la evaluación del riesgo de estos peligros y la puesta en práctica de los controles adecuados.
- ▶ Maneje y conserve la máquina según lo recomendado en estas instrucciones.
- ▶ Si la máquina tiene silenciador, compruebe que esté en su sitio y en buen estado de funcionamiento.
- ▶ Utilice siempre protección para los oídos.

**Mantenimiento, precauciones****▲ ADVERTENCIA Modificación de la máquina**

Cualquier modificación de la máquina puede provocar daños corporales a usted y a otras personas.

- ▶ Nunca modifique la máquina. Una máquina modificada no estará cubierta por la garantía ni por la responsabilidad del producto.
- ▶ Utilice siempre piezas y accesorios originales.
- ▶ Cambie las piezas dañadas inmediatamente.
- ▶ Sustituya los componentes gastados con la debida antelación.

**Almacenamiento, precauciones**

- ◆ Guarde la máquina y las herramientas en un lugar seguro, fuera del alcance de los niños y bajo llave.

## Visión general

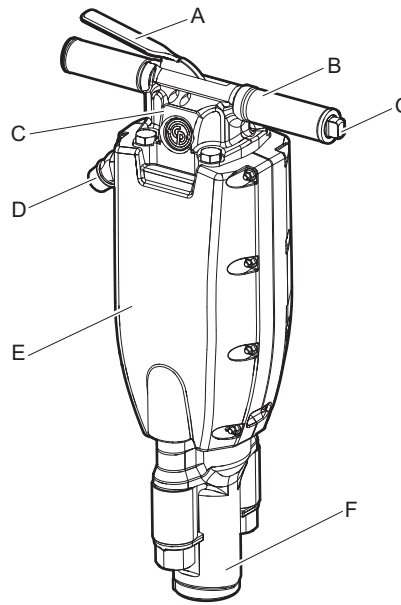
Para reducir el riesgo de que usted u otras personas padezcan lesiones graves o la muerte, lea las Instrucciones de seguridad y funcionamiento antes de instalar, usar, reparar o cambiar la máquina o de realizar su mantenimiento.

## Diseño y funcionamiento

CP 1260 S SPDR y CP 1290 S SPDR están diseñados para la colocación de estacas en vías ferroviarias, carpas, trabajos de construcción y de mantenimiento de instalaciones.

Poseen un cabezal frontal abierto que acepta herramientas para colocación de estacas. El diámetro máximo del cabezal es de 1 3/4 in (44 mm). Los hincadores de estacas neumáticos están diseñados para un uso vertical. No está permitido ningún otro uso.

## Piezas principales

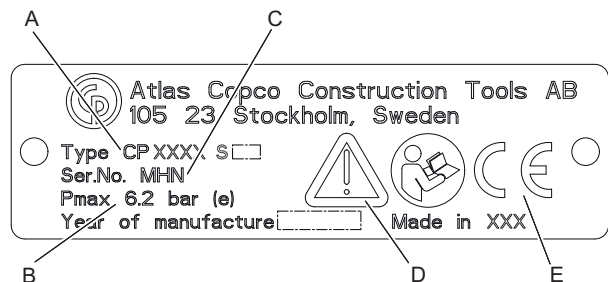


- A. Dispositivo de puesta en marcha y parada
- B. Empuñadura
- C. Cabezal trasero
- D. Toma de aire
- E. Silenciador
- F. Cabezal delantero
- G. Engrasador

## Etiquetas

La máquina incluye etiquetas que contienen información importante sobre la seguridad personal y el mantenimiento de la máquina. Las etiquetas deberán estar en buen estado para que sean fáciles de leer. Se pueden pedir nuevas etiquetas en la lista de piezas de repuesto.

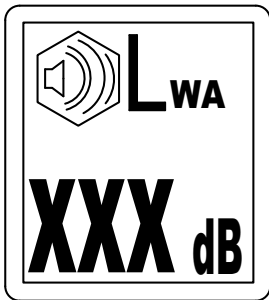
### Placa de datos



- A. Tipo de máquina
- B. Presión de aire comprimida máxima permitida
- C. Número de serie

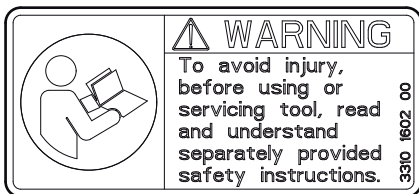
- D. El símbolo de atención unido al símbolo del libro significa que el usuario debe leer las instrucciones de seguridad y de funcionamiento antes de usar la máquina por primera vez.
- E. El símbolo CE indica que la máquina tiene la aprobación de la CE. Consulte la declaración de la CE que se suministra con la máquina para obtener más información. Si el símbolo CE no está, significa que la máquina no tiene la aprobación de la CE.

**Etiqueta de nivel de ruido**



La etiqueta indica el nivel de ruido garantizado correspondiente a la directiva europea 2000/14/CE. Vea "Datos técnicos" para saber el nivel de ruido adecuado.

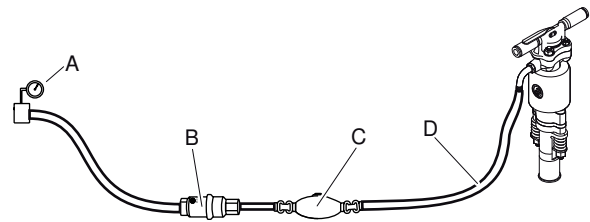
**Etiqueta de seguridad**



Para evitar lesiones, antes de usar o de reparar la herramienta, lea y comprenda las instrucciones de seguridad proporcionadas por separado.

**Instalación**

**Mangueras y conexiones**



- A. Fuente de aire comprimido
  - B. Separador de agua (opcional)
  - C. Engrasador (opcional)
  - D. Manguera de aire comprimido de un máximo de 10 feet (3 meter) entre el engrasador y la máquina.
- ◆ Compruebe que utiliza la presión correcta de funcionamiento recomendada, 87 psig (6 bar (e)).
  - ◆ No debe sobrepasarse la presión máxima de aire admisible, 90 psig (6,2 bar (e)).
  - ◆ Quite las impurezas de la manguera de aire comprimido antes de conectarla a la máquina.
  - ◆ Seleccione las dimensiones correctas y la longitud de la manguera de aire comprimido. Para mangueras con longitudes de hasta 100 feet (30 meters), debe utilizarse una manguera con un diámetro interno mínimo de 3/4 in. (19 mm). Si la longitud de la manguera es de 100 a 330 feet (30 a 100 meters), debe utilizarse una manguera con un diámetro interno mínimo de 1 in. (25 mm).

**Métodos para evitar la congelación**

Puede acumularse hielo en el silenciador cuando la temperatura ambiente es de 32-50 °F (0-10 °C) y la humedad relativa es alta.

La máquina está diseñada para evitar la formación de hielo en el silenciador. A pesar de eso, en condiciones extremas se puede formar hielo en el silenciador.

Se pueden tomar las siguientes medidas para neutralizar el riesgo de formación de hielo:

- ◆ Utilice el lubricante CP Airolene Plus Tool Oil. CP Airolene Plus Tool Oil neutraliza la congelación.
- ◆ Utilice un separador de agua.



## Conexión de un separador de agua

La longitud de la manguera de aire entre el compresor y el separador de agua debe ser lo suficiente como para que el vapor de agua se enfríe y se condense en la manguera antes de alcanzar el separador de agua.

Si la temperatura ambiente está por debajo de 32 °F (0 °C) el tubo flexible debe ser lo suficientemente corto para impedir que se congele el agua antes de llegar al separador de agua.

## Lubricación

### Lubricación

El lubricante es importante para el funcionamiento de la máquina y tiene una gran repercusión en la extensión de la vida útil de la misma. Para suministrar el volumen correcto de aceite, debe conectarse un engrasador a la manguera de aire. Se recomienda utilizar lubricante para tubos de aire de Chicago Pneumatic. Para garantizar una buena lubricación, la longitud de la manguera de aire entre el engrasador y la herramienta neumática no debe exceder los 10 feet (3 m).

Aplicar demasiado lubricante puede ocasionar problemas de arranque, potencia baja o rendimiento irregular.

Utilice un lubricante sintético como el aceite para herramientas Airolene Plus de CP o un aceite mineral con las propiedades recomendadas en la siguiente tabla.

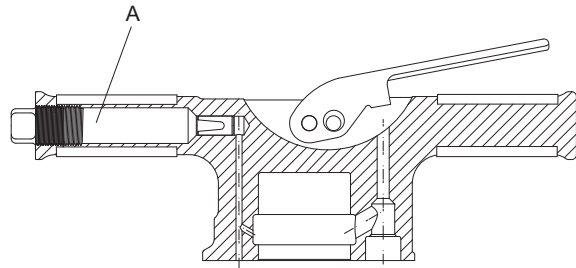
Lubricante	Margen de temperatura °F (°C)	Viscosidad
Aceite para herramientas Airolene Plus de CP	De -4 a +120 (de -20 a +50)	-
Aceite para herramientas neumáticas	De -4 a +60 (de -20 a +15)	100-150 SUS (ISO VG 22-32)
Aceite para herramientas neumáticas	De +60 a +120 (de +15 a +50)	225-350 SUS (ISO VG 46-68)

Se recomienda que el aceite incluya un inhibidor del óxido.

### Comprobación del nivel del lubricante y llenado

- ◆ Se deben comprobar los niveles de aceite a diario.
- ◆ Limpie alrededor del tapón del aceite y quítelo.
- ◆ Compruebe que las roscas no estén dañadas ni desgastadas.

- ◆ Se deberá sustituir cualquier pieza que tenga las roscas dañadas o desgastadas.
- ◆ Rellene con lubricante en (A).



- ◆ Apriete el tapón con firmeza y limpie el aceite que sobre.

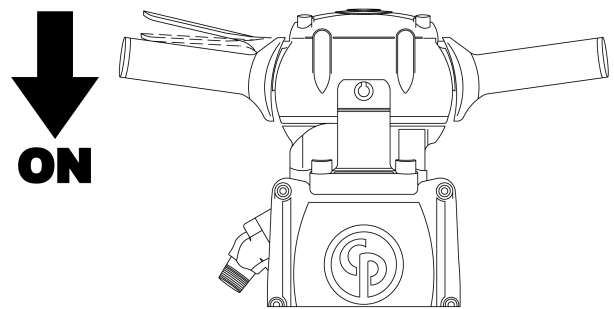
## Funcionamiento

### ▲ ADVERTENCIA Encendido involuntario

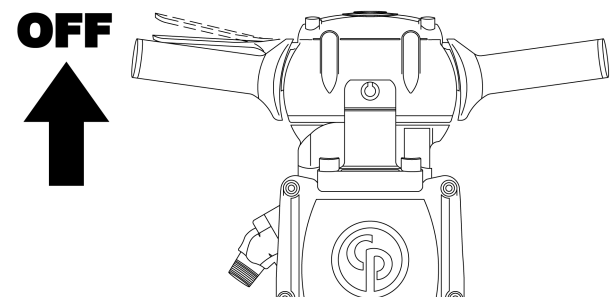
El encendido involuntario de la máquina puede producir lesiones.

- ▶ Mantenga las manos alejadas del dispositivo de puesta en marcha y parada hasta que esté listo para arrancar la máquina.
- ▶ Sepa cómo apagar la máquina en caso de producirse una emergencia.
- ▶ Detenga inmediatamente la máquina en caso de interrupción de la alimentación.

## Puesta en marcha y parada



Arranque el hincador de estacas neumático pulsando el dispositivo de puesta en marcha y parada.



Detenga el hincador de estacas neumático soltando el dispositivo de puesta en marcha y parada. El dispositivo de puesta en marcha y parada vuelve automáticamente a la posición de parada.

## En funcionamiento

- ◆ Asegúrese de que las estacas que se van a hincar estén bien fijadas.
- ◆ Coloque el hincador de estacas encima de la estaca y alinéelo con ella.
- ◆ Adquiera una posición estable, con los pies alejados de la estaca.
- ◆ Aplique una presión constante sobre la estaca y empiece a hincarla.
- ◆ Suelte el dispositivo de puesta en marcha y parada cuando la estaca esté correctamente asentada.
- ◆ Deje que la máquina haga el trabajo y no haga demasiada fuerza.
- ◆ Debe evitarse el funcionamiento en vacío o con la máquina levantada.
- ◆ Cuando se levanta la máquina, el dispositivo de puesta en marcha y parada no debe activarse.
- ◆ Compruebe regularmente que la máquina esté bien lubricada.

**AVISO** Nunca sujete ni toque la estaca al hincarla.

## En los descansos

- ◆ Durante todos los descansos debe colocar la máquina de forma que no haya riesgo de que se ponga en marcha involuntariamente. Asegúrese de colocar la máquina en el suelo, de forma que no se caiga.
- ◆ En caso de hacer un descanso más largo o a la hora de irse de la obra: Apague la alimentación y, a continuación, purgue la máquina activando el dispositivo de puesta en marcha y parada.

## Mantenimiento

El mantenimiento regular es un requisito esencial para el uso seguro y eficaz de la máquina. Siga las instrucciones de mantenimiento detenidamente.

- ◆ Antes de iniciar el mantenimiento en la máquina, límpiela para evitar la exposición a sustancias peligrosas. Consulte “Peligros del polvo y del humo”
- ◆ Utilice sólo piezas originales. Cualquier daño o defecto originado por la utilización de piezas no autorizadas no estará cubierto por la garantía ni por la responsabilidad del producto.
- ◆ Al limpiar las piezas mecánicas con un disolvente, asegúrese de cumplir la normativa de salud y seguridad en el trabajo y de que haya la suficiente ventilación.
- ◆ Para realizar una reparación más completa de la máquina, acuda al taller autorizado más cercano.
- ◆ Después de cada reparación, compruebe que el nivel de vibraciones de la máquina sea el normal. Si no lo es, póngase en contacto con el taller autorizado más cercano.

## A diario

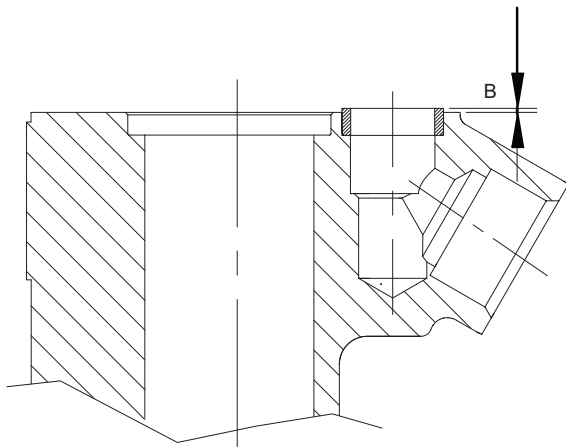
Antes de realizar cualquier tarea de mantenimiento en las máquinas neumáticas, apague siempre el suministro de aire y purgue la máquina pulsando el dispositivo de puesta en marcha y parada. Luego desconecte la manguera de aire de la máquina.

- ◆ Limpie e inspeccione la máquina y sus funciones cada día antes de empezar a trabajar.
- ◆ Realice una inspección general para determinar si hay fugas o desperfectos.
- ◆ Compruebe que la boquilla de admisión de aire esté apretada y que el acoplamiento de garras no esté dañado.
- ◆ Cambie las piezas dañadas inmediatamente.
- ◆ Sustituya los componentes gastados con la debida antelación.
- ◆ Asegúrese de que todos los equipos fijados, tales como mangueras, separadores de agua y lubricantes, reciban un mantenimiento adecuado.

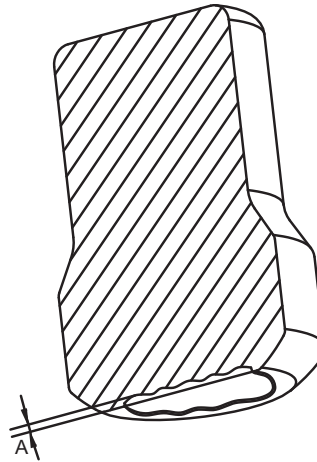
## Instrucciones de montaje

Debe tenerse mucho cuidado durante el montaje y el desmontaje de la herramienta para evitar el rebabado, el rayado y la deformación de las piezas de precisión integradas de fijación ajustada.

1. Compruebe si el metal de las superficies metálicas tiene muescas o rebabas antes y durante el montaje.
2. Antes de volver a hacer el montaje, lubrique todas las juntas tóricas y recubra todas las piezas móviles de la herramienta con los lubricantes recomendados.
3. Durante el montaje, tenga cuidado de no ensuciar la herramienta, especialmente entre las superficies de acoplamiento.
4. Se deberán apretar los pernos del cabezal delantero para que los amortiguadores estén uniformemente comprimidos hasta la longitud de montaje indicada en la sección "Pares de apriete".
5. Cuando se haya terminado el montaje, vierta aproximadamente ½ oz. (1,5 cl) del aceite recomendado en la entrada de aire y accione el hincador de estacas neumático con aceleración reducida entre 10 y 15 segundos. Cuando utilice el hincador de estacas neumático sobre el suelo, hágalo con aceleración reducida para evitar daños en el pistón, la chabota y el cabezal delantero.
6. Antes de montar el cabezal trasero en el cilindro, compruebe que el precinto sobresalga aproximadamente (B) 1/16 pulgadas (1,6 mm) de la cara del cilindro.



1. Asegúrese de que las superficies de acoplamiento están limpias y lisas y de que los pernos están apretados.
2. Limpie e inspeccione a fondo las piezas internas y asegúrese de que no tienen óxido, limaduras ni materia extraña.
3. Limpie e inspeccione bien las piezas de la válvula. Asegúrese de que la válvula se mueve con libertad.
4. Asegúrese de que las áreas de choque de la chabota están paralelas y planas. Si la chabota tiene forma cóncava, rebaje los bordes elevados, pero no toque la cara pulida donde el yunque golpea el vástago de acero. Desgaste máximo permitido (A) 1/32 " (1 mm). Vea la ilustración que se muestra a continuación.

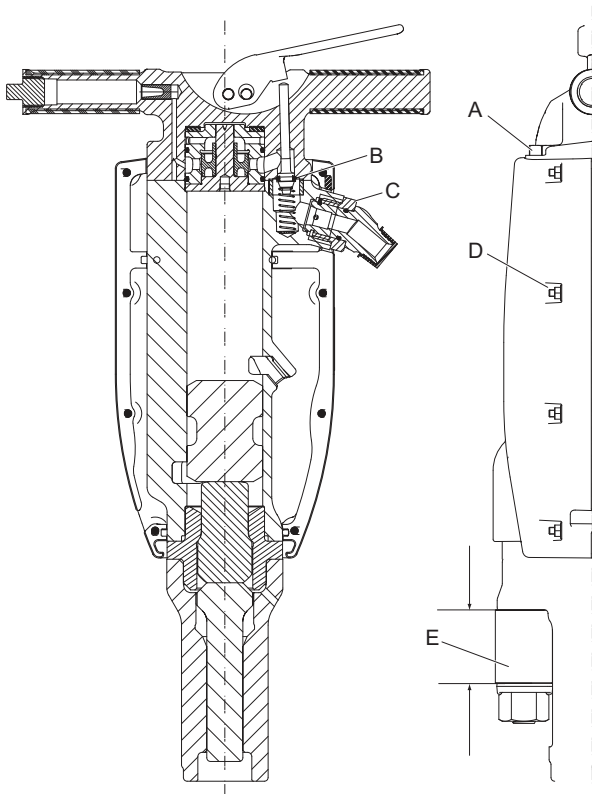


## Pares de apriete

**AVISO** Al fijar un acoplamiento de garras u otro conector a la articulación giratoria, se debe usar Loctite® 263™ (Loctite es una marca registrada de Henkel Corporation. 263 es una marca comercial de Henkel Corporation) o similar.

## Mantenimiento periódico

Después de un período operativo de unas 150 horas de impacto o dos veces al año, se debe desmontar la máquina y limpiar y comprobar todas las piezas. Este trabajo debe realizarlo personal autorizado y cualificado para ello.



- A. Apriete: CP 1260 S SPDR y CP 1290 S SPDR, 100 lbf.ft (135 Nm).
- B. El precinto del cilindro debe sobresalir aproximadamente  $\frac{1}{16}$  pulgadas (1,6 mm) antes del montaje del cabezal trasero.
- C. Apriete: 150 lbf.ft (200 Nm). Aplique Loctite® 263™ (Loctite es una marca registrada de Henkel Corporation. 263 es una marca comercial de Henkel Corporation).
- D. Par, Silenciador 6–7 lbf.ft (8–10 Nm).
- E. Longitud de montaje de amortiguador.

Modelo	Longitud mín.-máx. in (mm)
CP 1260 S SPDR	2.14 -2.19 (54.4–55.6)
CP 1290 S SPDR	2.55 -2.61 (64,8–66,2)

## Localización y resolución de problemas

Si la máquina neumática no se pone en marcha, o genera una potencia baja o un rendimiento irregular, compruebe los siguientes puntos.

- ◆ Compruebe que la máquina neumática tenga la cantidad correcta de lubricante. Una lubricación excesiva puede provocar problemas durante la puesta en marcha, una potencia baja o un rendimiento irregular.
- ◆ Compruebe que el sistema de aire comprimido abastezca a la máquina con suficiente presión de aire para generar una potencia plena.
- ◆ Compruebe que las dimensiones y la longitud de la manguera de aire sigan las recomendaciones. Consulte la sección “Instalación”.
- ◆ Si hay riesgo de congelación, compruebe que las salidas de escape de la máquina no estén bloqueadas.
- ◆ Si el funcionamiento de la máquina todavía no es satisfactorio tras seguir el procedimiento anterior, acuda a un taller de reparación autorizado.

## Almacenaje

- > Antes del almacenamiento de la máquina, límpiela para evitar la existencia de sustancias peligrosas. Consulte “Peligros del polvo y del humo”
- > Vierta unos 1/2 oz (5 cl) de aceite directamente en de la boquilla de entrada de aire, conecte la máquina al suministro de aire comprimido y arránquela durante unos segundos.
- > Guarde siempre la máquina en un lugar seco.

## Desechar

Una máquina usada se debe manipular y desechar de tal forma que se pueda reciclar la mayor cantidad posible del material, haya la menor influencia negativa posible en el medio ambiente y se cumplan las restricciones municipales.

# Especificaciones técnicas

## Datos de la máquina

Tipo	Diámetro máximo del cabezal in (mm)	Peso lb (kg)	Longitud in (mm)	Frec. impacto bpm (Hz)	Consumo de aire cfm (l/s)
CP 1260 S SPDR	1¼ (44)	65 (29,5)	24,7 (625)	1300 (21,5)	73 (34,5)
CP 1290 S SPDR	1¼ (44)	84 (38)	26 (660)	1100 (18,3)	91 (43)

## Declaración de ruido y vibraciones

Nivel de potencia acústica garantizado **L<sub>w</sub>** según EN ISO 3744, de conformidad con la directiva 2000/14/CE.

Nivel de presión acústica **L<sub>p</sub>** según EN ISO 11203.

Valor de vibraciones **A** e incertidumbre **B** determinado según EN ISO 20643. Consulte en la tabla “Datos de ruido y vibraciones” los valores A, B, etc.

Estos valores declarados se obtuvieron mediante pruebas de laboratorio, de acuerdo con la directiva o las normas indicadas, y son adecuados para la comparación con los valores declarados de otras herramientas probadas de acuerdo con dicha directiva o dichas normas. Estos valores declarados no son adecuados para su uso en evaluaciones de riesgo, por lo que los valores medidos en los lugares de trabajo individuales pueden resultar superiores. Los valores de exposición reales y el riesgo de sufrir daños experimentados por cada usuario son únicos y dependen del modo en que éste trabaja, el material con el que utiliza la máquina, así como el tiempo de exposición y el estado físico del usuario y el estado de la máquina.

Nuestra empresa, Atlas Copco Construction Tools AB, no se hace responsable de las consecuencias de utilizar los valores declarados en lugar de valores que reflejen la exposición real, en una evaluación de riesgos individual en una situación del lugar de trabajo sobre la que no tenemos control.

Esta herramienta puede causar el síndrome de vibraciones mano-brazo si no se usa adecuadamente. En la dirección <http://www.humanvibration.com/humanvibration/EU/VIBGUIDE.html> puede ver una guía de la UE sobre el control de las vibraciones mano-brazo

Recomendamos un programa de control de salud para detectar los primeros síntomas que puedan estar relacionados con la exposición a las vibraciones, de forma que puedan modificarse los procedimientos de gestión para prevenir las discapacidades futuras.

## Datos de ruido y vibraciones

Tipo	Ruido		Vibración	
	Presión acústica	Potencia acústica	Valores de tres ejes	
	Valores declarados		Valores declarados	
	EN ISO 11203	2000/14/CE	EN ISO 20643	
	<b>L<sub>p</sub></b> r=1m dB(A) rel 20 µPa	<b>L<sub>w</sub></b> garantizado dB(A) rel 1 pW	<b>A</b> m/s <sup>2</sup> valor	<b>B</b> m/s <sup>2</sup> amplitud
CP 1260 S SPDR	97	110	20,7	2,5
CP 1290 S SPDR	98	111	18,4	2,3

# Declaración CE de conformidad

## Declaración CE de conformidad (Directiva 2006/42/CE)

Atlas Copco Construction Tools AB declara por la presente que las máquinas detalladas a continuación se ajustan a las disposiciones de las Directivas 2006/42/CE (Directiva sobre máquinas) y 2000/14/CE (Directiva sobre el ruido), y a las normas armonizadas mencionadas más abajo.

Hincadores de estacas neumáticos manuales	Nivel de potencia acústica garantizado [dB(A)]	Nivel de potencia acústica medido [dB(A)]	Pmax (bares)
CP 1260 S SPDR	110	108	6,2
CP 1290 S SPDR	111	109	6,2

### Se han aplicado las siguientes normas armonizadas:

- ◆ EN ISO 11148-4

### Se han aplicado también las siguientes otras normas:

- ◆ Lloyds Register Quality Assurance, NoBo no.0088

### Representante autorizado para la documentación técnica:

Per Forsberg  
Atlas Copco Construction Tools AB  
Dragonvägen 2  
Kalmar

### Vicepresidente de diseño y desarrollo:

Erik Sigfridsson

### Fabricante:

Atlas Copco Construction Tools AB  
391 27 Kalmar  
Sweden

### Lugar y fecha:

Kalmar, 2012-11-30

## PORTUGUÊS

## Índice

<b>Introdução</b> .....	73
<b>Acerca das instruções de segurança e operação</b> .....	73
<b>Instruções de Segurança</b> .....	74
Palavras de avisos de segurança.....	74
Precauções e competências pessoais.....	74
Instalação, precauções.....	74
Operação, precauções.....	75
Manutenção, precauções.....	79
Armazenamento, precauções.....	79
<b>Visão geral</b> .....	80
Concepção e função.....	80
Peças principais.....	80
Autocolantes.....	80
<b>Instalação</b> .....	81
Mangueiras e ligações.....	81
Métodos para evitar o congelamento.....	81
Conectar o separador de água.....	81
Lubrificação.....	81
<b>Operação</b> .....	82
Arranque e paragem.....	82
Funcionamento.....	82
Ao fazer uma pausa.....	83
<b>Manutenção</b> .....	83
Diariamente.....	83
Instruções de montagem.....	83
Manutenção periódica.....	84
Binários de aperto.....	84
<b>Diagnóstico e reparação de avarias</b> .....	85
<b>Armazenamento</b> .....	85
<b>Abate</b> .....	85
<b>Dados técnicos</b> .....	86
Dados da máquina.....	86
Declaração de ruído e vibração.....	86
Dados sobre o ruído e vibrações.....	86
<b>Declaração de Conformidade da CE</b> .....	87
Declaração de Conformidade da CE (Directiva da CE 2006/42/CE).....	87



## Introdução

Obrigado por escolher os produtos da marca Chicago Pneumatic. Por mais de um século, a marca Chicago Pneumatic tem representado desempenho e inovação na indústria das ferramentas pneumáticas.

Hoje a marca encontra-se em todo o mundo com uma gama de ferramentas pneumáticas e hidráulicas que inclui martelos demolidores, perfuradores de rocha, escarificadores, escavadoras de argila, picadores e extractores, arrancadores de rebites, bombas e muito mais.

A marca Chicago Pneumatic está associada a produtos poderosos e confiáveis que são fáceis de manter e que justificam o investimento.

Para mais informações, visite [www.cp.com](http://www.cp.com)

Atlas Copco Construction Tools AB  
Box 703  
391 27 Kalmar  
Sweden

## Acerca das instruções de segurança e operação

O objectivo destas instruções é fornecer-lhe todas as informações acerca de como utilizar o cravador de espigões pneumático de uma forma eficiente e segura. As instruções dão, também, conselhos e indicações acerca de como efectuar manutenção regular ao cravador de espigões pneumático.

Antes de utilizar o cravador de espigões pneumático pela primeira vez, tem obrigatoriamente que ler estas instruções cuidadosamente e compreendê-las na sua totalidade.

## Instruções de Segurança

Para reduzir o risco de ferimentos graves ou morte, para si próprio ou para outros, leia e compreenda as instruções de Segurança e operação antes de instalar, operar, reparar, fazer manutenção ou mudar acessórios na máquina.

Afixe estas instruções de Segurança e operação nos locais de trabalho, forneça cópias aos empregados, e certifique-se de que todos lêem as instruções de Segurança e operação antes de operar a máquina, ou de prestar assistência à máquina.

Para além disso, o operador ou o empregador do operador deve avaliar os riscos específicos que podem estar presentes em resultado de cada utilização da máquina.

## Palavras de avisos de segurança

As palavras de avisos de segurança Perigo, Atenção e Cuidado têm os seguintes significados:

<b>PERIGO</b>	Indica uma situação perigosa, a qual, se não for evitada, irá provocar a morte ou ferimentos graves.
<b>ATENÇÃO</b>	Indica uma situação perigosa, a qual, se não for evitada, poderá provocar a morte ou ferimentos graves.
<b>CUIDADO</b>	Indica uma situação perigosa, a qual, se não for evitada, poderá provocar ferimentos ligeiros ou moderados.

## Precauções e competências pessoais

A operação ou manutenção da máquina só pode ser feita por pessoal com as habilitações e a formação necessárias. Este pessoal tem que ser fisicamente capaz de manusear o volume, o peso e a potência da ferramenta. Faça sempre uso do seu bom senso e da sua capacidade de avaliação das situações.

### Equipamento pessoal de protecção

Use sempre equipamento de protecção aprovado. Os operadores, bem como todas as outras pessoas que se encontrem na zona de trabalho, devem usar equipamento de protecção, incluindo, no mínimo:

- > Capacete protector
- > Protecção auricular
- > Protecção para os olhos, resistente ao impacto e com protecção lateral
- > Protecção respiratória, quando necessário

- > Luvas protectoras
- > Botas protectoras adequadas
- > Fato de macaco de trabalho adequado, ou vestuário semelhante (não roupas largas) que cubra os braços e as pernas.

### Drogas, álcool ou medicamentos

#### ▲ ATENÇÃO Drogas, álcool ou medicamentos

Drogas, álcool ou medicamentos podem reduzir a sua capacidade de avaliação e de concentração. Reacções lentas e avaliações incorrectas podem provocar acidentes graves ou morte.

- ▶ Nunca use a máquina quando estiver cansado ou se tiver tomado drogas, álcool ou medicamentos.
- ▶ Ninguém que tenha tomado drogas, álcool ou medicamentos pode operar a máquina.

## Instalação, precauções

#### ▲ PERIGO Chicotada das mangueiras de ar

Um mangueira de ar comprimido que se solte pode causar ferimentos pessoais ou morte. Para reduzir este risco:

- ▶ Certifique-se de que as mangueiras de ar comprimido e as ligações não estão danificadas, e substitua-as se necessário.
- ▶ Certifique-se de que as mangueiras de ar comprimido e as ligações estão bem presas.
- ▶ Nunca transporte uma máquina pneumática segurando-a pela mangueira de ar.
- ▶ Nunca tente tirar uma mangueira de ar comprimido que esteja pressurizada. Primeiro, deve desligar a alimentação de ar comprimido directamente no compressor e, em seguida, deve purgar a máquina, activando o dispositivo de activação e desactivação.
- ▶ Não use ligações de desacoplamento rápido à entrada da ferramenta. Use peças de encaixe roscadas para mangueira, em aço endurecido (ou num material com uma resistência ao choque equivalente).
- ▶ Sempre que forem usadas ligações de acoplamento universal de torcer (ligações de acoplamento de gancho), recomendamos que sejam instalados pinos de travamento e que sejam usados cabos de segurança anti-chicoteamento como salvaguarda contra possíveis falhas da mangueira à máquina, ou de mangueira a mangueira.

- ▶ Nunca aponte uma mangueira de ar comprimido a si próprio ou a outra pessoa. Para evitar o risco de ferimentos, nunca utilize ar comprimido para soprar, por exemplo, poeiras, sujeira, etc. das suas roupas.

## Operação, precauções

### ▲ PERIGO Perigo de explosão

Se um espigão entrar em contacto com materiais explosivos ou com gases explosivos, poderá ocorrer uma explosão. Quando trabalhar com certos materiais, ou quando usar certos materiais em peças de máquina, podem ocorrer faíscas e ignição. As explosões podem provocar ferimentos graves ou morte.

- ▶ Nunca opere a máquina num ambiente explosivo.
- ▶ Nunca use a máquina ao pé de materiais inflamáveis, vapores inflamáveis ou poeiras inflamáveis.
- ▶ Certifique-se de que não existem fontes de gás ou explosivos ocultos.

### ▲ ATENÇÃO Movimentos inesperados

O cravador de espigões está exposto a forças quando está em utilização. As forças podem causar movimentos súbitos e inesperados, que podem causar ferimentos. Para além disso, se perder o equilíbrio ou escorregar, isso poderá provocar ferimentos.

- ▶ Certifique-se de que mantém sempre uma posição estável, com os pés afastados à distância dos seus ombros, e mantendo o peso do seu corpo sempre em equilíbrio.
- ▶ Inspeccione sempre o equipamento antes de o usar. Nunca use o equipamento se suspeitar que está danificado.
- ▶ Certifique-se de que as pegadas estão limpas e sem massa consistente nem óleo.
- ▶ Mantenha mãos e pés afastados do espigão.
- ▶ Mantenha-se firmemente de pé e segure sempre a máquina com as duas mãos.
- ▶ Nunca dê arranque à máquina quando ela está deitada no chão.
- ▶ Nunca “ande a cavalo” na máquina com uma perna por cima da pega.
- ▶ Nunca bata com a máquina nem a maltrate.
- ▶ Preste atenção e olhe para aquilo que está a fazer.

### ▲ ATENÇÃO Perigos causados por poeiras e fumos

Poeiras e/ou fumos gerados ou dispersados quando a máquina é utilizada podem causar doenças respiratórias graves e permanentes, doenças ou outras lesões corporais (por exemplo silicose ou outras doenças irreversíveis dos pulmões que possam ser fatais, cancro, defeitos congénitos, e/ou inflamação da pele).

Algumas poeiras e fumos criados por perfuração, demolição, martelamento, serração, retificação e outras atividades de construção contêm substâncias reconhecidas pelo Estado da Califórnia e outras autoridades como sendo causadoras de doença respiratória, cancro, defeitos congénitos, ou outros danos de reprodução. Alguns exemplos dessas substâncias são:

- > A sílica cristalina, o cimento, e outros produtos de alvenaria.
- > Arsénico e crómio da borracha quimicamente tratada.
- > Chumbo de tintas com base de chumbo.

As poeiras e os fumos no ar podem ser invisíveis a olho nu, portanto não confie na visão para determinar se há fumos ou poeiras no ar.

Para reduzir o risco de exposição às poeiras e aos fumos, tome todas as ações seguintes:

- ▶ Faça uma avaliação de riscos específica do local de trabalho. A avaliação de riscos deverá incluir poeiras e fumos criados pela utilização da máquina, bem como o potencial para levantar poeiras já existentes.
- ▶ Use controlos de engenharia adequados, para reduzir ao mínimo as poeiras e os fumos no ar, e para minimizar a acumulação em equipamentos, superfícies, vestuário e partes do corpo. Exemplos de tais controlos incluem: sistemas de ventilação de saída e de recolha de poeira, pulverizações de água, e perfuração acompanhada de injeção de água. Controle poeiras e fumos na origem, sempre que possível. Certifique-se de que tais controlos estão corretamente instalados, em bom estado de manutenção, e que são corretamente usados.
- ▶ Ponha, faça a manutenção e use corretamente a proteção respiratória, conforme as instruções do seu empregador e conforme exigido pelos regulamentos de Saúde e Segurança. A proteção respiratória tem obrigatoriamente de ser eficaz para o tipo de substância em questão (e, se aplicável, tem que ser aprovada pela entidade governamental adequada).
- ▶ Trabalhe numa área bem ventilada.

- ▶ Se a máquina tiver um escape, dirija o escape por forma a reduzir a perturbação de poeiras num ambiente cheio de poeiras.
- ▶ Opere e faça a manutenção da máquina conforme recomendado nestas instruções de operação e segurança.
- ▶ Selecione, faça a manutenção e substitua consumíveis, ferramentas de inserção e outros acessórios conforme recomendado nas instruções de Operação e Segurança. A seleção incorreta ou a falta de manutenção de consumíveis, ferramentas de inserção e outros acessórios pode causar um aumento desnecessário das poeiras ou dos fumos.
- ▶ Utilize vestuário lavável ou descartável no seu local de trabalho, e tome um duche e vista roupas lavadas antes de deixar o local de trabalho para reduzir a sua exposição a poeiras e fumos, assim como a de outras pessoas, carros, casas, e outras áreas.
- ▶ Evite comer, beber e usar produtos de tabaco em áreas onde haja poeiras ou fumos.
- ▶ Lave bem as mãos e o rosto assim que possível depois de sair da área de exposição, e sempre antes de comer, beber, usar produtos de tabaco, ou entrar em contacto com outras pessoas.
- ▶ Cumpra todas as leis e regulamentos aplicáveis, incluindo os regulamentos de Saúde e Segurança no Trabalho.
- ▶ Participe na monitorização do ar, em programas de exames médicos, e em programas de formação em segurança oferecidos pelo seu empregador ou por organizações laborais, e de acordo com os regulamentos e recomendações de Saúde e Segurança no trabalho. Consulte um médico com experiência relevante em medicina do trabalho.
- ▶ Colabore com o seu empregador e com organizações laborais para reduzir a exposição a poeiras e fumos no local de trabalho e para reduzir os riscos. Com base no conselho de especialistas de Saúde e Segurança, deverão ser definidos e implementados programas, políticas e procedimentos eficazes de Saúde e Segurança para a proteção dos trabalhadores e de terceiros contra a exposição prejudicial a poeiras e fumos. Aconselhe-se com especialistas.
- ▶ Os resíduos de substâncias perigosas na máquina podem ser um risco. Antes de iniciar um trabalho de manutenção na máquina, limpe-a cuidadosamente.

### ▲ ATENÇÃO Projécteis

Uma falha da peça de trabalho, dos acessórios, ou até mesmo da própria máquina, pode gerar projécteis de alta velocidade. Durante a operação da máquina, as lascas ou quaisquer outras partículas do material de trabalho podem tornar-se projécteis e provocar ferimentos pessoais, atingindo o operador ou quaisquer outras pessoas. Para reduzir estes riscos:

- ▶ Use equipamento pessoal de protecção e capacete de segurança, incluindo protecção para os olhos que seja resistente ao impacto e que tenha protecção lateral.
- ▶ Certifique-se de que não há pessoas não autorizadas na zona de trabalho.
- ▶ Mantenha o local de trabalho livre de objectos estranhos.
- ▶ Certifique-se de que o espigão está fixado de forma segura.

### ▲ ATENÇÃO Perigo da cravação do espigão

Se o espigão não estiver fixo de forma segura na peça de trabalho antes de operar a máquina, existe o risco de ferimentos.

- ▶ Certifique-se sempre de fixar o espigão em segurança antes de operar a máquina.
- ▶ Nunca segure nem toque no espigão durante a cravação.

### ▲ ATENÇÃO Riscos de escorregar, tropeçar e cair

Há o risco de escorregar ou tropeçar ou cair, por exemplo tropeçar nas mangueira ou noutros objectos. Escorregar ou tropeçar ou cair pode causar ferimentos. Para reduzir este risco:

- ▶ Certifique-se sempre de que não há nenhuma mangueira ou outros objectos no seu caminho ou no caminho de outra pessoa.
- ▶ Certifique-se sempre de que mantém uma posição estável, com os pés afastados à distância dos seus ombros, e mantendo o peso do corpo equilibrado.

**▲ ATENÇÃO Riscos de movimento**

Quando usar a máquina para executar actividades relacionadas com o trabalho, pode sentir desconforto nas mãos, braços, ombros, pescoço, ou outras partes do corpo.

- ▶ Adote uma postura confortável, ao mesmo tempo que mantém os pés bem apoiados e que evita posturas incómodas e em desequilíbrio.
- ▶ Mudar a postura durante a execução de tarefas prolongadas pode ajudar a evitar desconforto e fadiga.
- ▶ Em caso de sintomas persistentes ou recorrentes, consulte um profissional de saúde qualificado.

**▲ ATENÇÃO Perigo de vibração**

A utilização normal e correcta da máquina expõe o operador a vibrações. A exposição regular e frequente à vibração pode provocar, contribuir para, ou agravar lesões ou doenças nos dedos, mãos, pulsos, braços, ombros e/ou nervos e circulação sanguínea ou outras partes do corpo do operador, incluindo lesões ou doenças debilitantes e/ou permanentes que se podem desenvolver gradualmente ao longo de um período de semanas, meses ou anos. Tais lesões ou distúrbios podem incluir danos nos sistemas circulatório e nervoso, lesões nas articulações, e possíveis danos noutras estruturas corporais.

Se sentir entorpecimento, desconforto recorrente persistente, sensação de queimadura, enrijecimento, latejar, formigueiros, dores, descoordenação, falta de força nas mãos, embranquecimento da pele, ou outros sintomas a qualquer altura quando utilizar a máquina, ou quando não a estiver a utilizar, não deve retomar a utilização da mesma e deve informar o seu empregador e consultar um médico. A utilização continuada da máquina após a ocorrência de tais sintomas pode aumentar o risco do agravamento e/ou permanência dos mesmos.

Faça a operação e manutenção da máquina conforme recomendado nestas instruções, para evitar um aumento desnecessário das vibrações.

Os seguintes passos podem ajudar a reduzir a exposição do operador às vibrações:

- ▶ Deixe a ferramenta fazer o trabalho. Faça o mínimo de força de aperto com as mãos: apenas o suficiente para garantir um bom controlo e a operação em segurança.
- ▶ Se a máquina tiver pegas absorvedoras de vibrações, mantenha-as numa posição central, evite pressionar as pegas nos batentes de extremo.
- ▶ Quando o mecanismo de percussão está ativado, a única parte do seu corpo que deve estar em contacto com a máquina são as suas mãos sobre a pega ou pegas. Evite qualquer outro contacto, como por exemplo, apoiar qualquer parte do corpo contra a máquina, ou inclinar-se sobre a máquina para tentar aumentar a força de avanço. É também importante que não tenha o dispositivo de arranque e paragem ativado enquanto tirar a ferramenta da superfície de trabalho.

- ▶ Certifique-se de que a ferramenta inserida está em bom estado de manutenção (incluindo se está afiada, se for uma ferramenta de corte), não está desgastada, e é do tamanho correto. Quando as ferramentas de inserção não estão em bom estado de manutenção, ou estão desgastadas, ou não possuem o tamanho correto, então irá precisar de mais tempo para completar a tarefa (e um maior período de exposição a vibrações), o que pode originar ou contribuir para níveis mais elevados de exposição a vibrações.
- ▶ Pare imediatamente de trabalhar se a máquina começar de repente a vibrar fortemente. Antes de voltar ao trabalho, certifique-se de que encontrou e corrigiu a causa do aumento de vibrações.
- ▶ Nunca agarre, pegue, nem toque na ferramenta inserida enquanto a máquina estiver a trabalhar.
- ▶ Participe na vigilância ou monitorização do estado de saúde, em exames médicos e em programas de formação oferecidos pelo seu empregador, e quando exigido por lei.
- ▶ Quando trabalhar em condições de tempo frio, vista roupa quente e mantenha as mãos quentes e secas.
- ▶ O ar de exaustão é extremamente frio e não deve entrar em contacto com o operador. Afaste sempre o ar da exaustão das mãos e do corpo.

Veja a “Declaração de ruído e vibração” para a máquina, incluindo os valores declarados de vibrações. Estas informações estão no final destas instruções de Segurança e Operação.

- ◆ Siga as recomendações em termos de pressão de ar ao operar o equipamento. Tanto uma pressão de ar excessiva como insuficiente têm o potencial de resultar em elevados níveis de vibração.

### ▲ PERIGO Perigo eléctrico

A máquina não tem isolamento eléctrico. Se a máquina entrar em contacto com fontes de electricidade, isso pode provocar ferimentos graves ou morte.

- ▶ Nunca opere a máquina ao pé de qualquer cabo eléctrico, ou de outra fonte de electricidade.
- ▶ Certifique-se de que não existem cabos ocultos, ou quaisquer outras fontes de electricidade, na área de trabalho.

### ▲ ATENÇÃO Perigo de objectos ocultos

Durante a operação, os cabos e tubos ocultos constituem um perigo que pode provocar ferimentos graves.

- ▶ Verifique a composição do material antes de começar a usar a máquina.
- ▶ Tenha cuidado com cabos e tubos ocultos, por exemplo, linhas de electricidade, telefone, água, gás e esgotos, etc.
- ▶ Se lhe parecer que o espigão atingiu um objecto oculto, desligue a máquina imediatamente.
- ▶ Antes de continuar, certifique-se de que não há qualquer perigo.

### ▲ ATENÇÃO Arranque involuntário

O arranque involuntário da máquina pode provocar ferimentos.

- ▶ Mantenha as mãos longe do dispositivo de arranque e paragem até estar pronto para dar arranque à máquina.
- ▶ Aprenda a como desligar a máquina em caso de emergência.
- ▶ Solte imediatamente o dispositivo de arranque/paragem em todos os casos de interrupção de alimentação de ar.
- ▶ Antes de começar qualquer tipo de manutenção, instalação, inspecção ou limpeza, desligue a alimentação de ar comprimido, purgue a máquina activando o dispositivo de arranque/paragem, e remova a alimentação da máquina.

### ▲ ATENÇÃO Perigo de ruído

Níveis de ruído altos podem causar perda de audição permanente ou deficiência na audição, bem como outros problemas tais como tinnitus (campainhas, zumbidos, apitos ou barulhos surdos nos ouvidos). Para reduzir o risco e prevenir um aumento desnecessário nos níveis de ruído:

- ▶ É essencial a avaliação de risco destes perigos e a implementação de controlos adequados.
- ▶ Opere e faça a manutenção da ferramenta conforme recomendado nestas instruções.
- ▶ Se a máquina tiver um silenciador, certifique-se de que está aplicado e que está em boas condições de funcionamento.
- ▶ Use sempre protecção para os ouvidos.

## **Manutenção, precauções**

---

### **▲ ATENÇÃO    Modificação da máquina**

As modificações feitas à máquina poderão resultar em danos físicos para si ou terceiros.

- ▶ Nunca faça modificações à máquina. Máquinas modificadas não são cobertas pela garantia nem pela responsabilidade do produto.
- ▶ Use sempre peças e acessórios originais.
- ▶ Mude imediatamente quaisquer peças danificadas.
- ▶ Substitua atempadamente os componentes desgastados.

## **Armazenamento, precauções**

---

- ◆ Guarde a máquina e as ferramentas num local seguro, fora do alcance de crianças e trancado.

## Visão geral

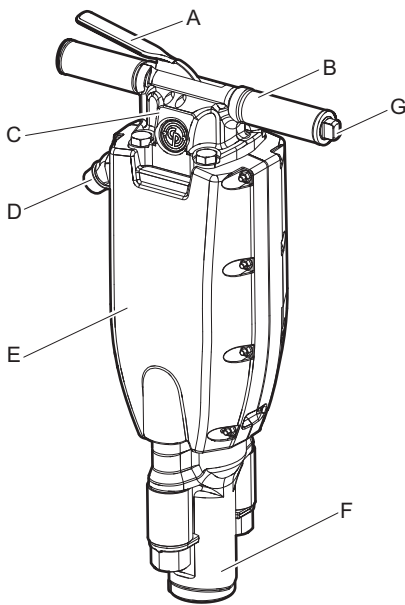
**Para reduzir o risco de ferimentos graves ou morte para si ou para terceiros, antes de usar a máquina leia a secção das Instruções de Segurança, que está nas páginas anteriores deste manual.**

## Concepção e função

O CP 1260 S SPDR e o CP 1290 S SPDR foram concebidos para cravar espigões em aplicações ferroviárias, de tendas, de construção e de manutenção em instalações industriais.

Têm uma cabeça dianteira aberta que aceita uma diversidade de objectos para cravação. O diâmetro máximo da cabeça é de 1 3/4 in. (44 mm). Os cravadores de espigões pneumáticos são concebidas apenas para utilização à vertical. Não é permitido outro tipo de uso.

## Peças principais

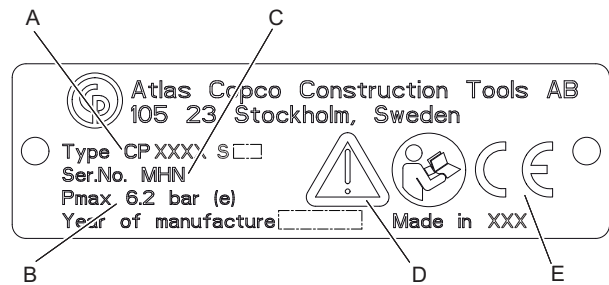


- A. Dispositivo de arranque e paragem
- B. Pega
- C. Cabeça traseira
- D. Entrada de ar
- E. Silenciador
- F. Cabeça dianteira
- G. Lubrificador

## Autocolantes

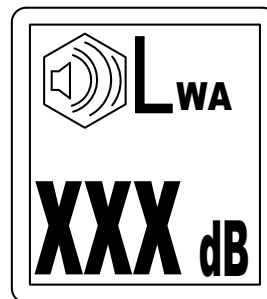
A máquina está equipada com autocolantes que mostram informação importante sobre a segurança pessoal do operador e a manutenção da máquina. Os autocolantes devem estar em boas condições que permitam a sua leitura com facilidade. Novos autocolantes podem ser encomendados a partir da lista de peças sobressalentes.

### Placa de dados



- A. Tipo de máquina
- B. Pressão máxima permitida de ar comprimido
- C. Número de série
- D. O símbolo de atenção, juntamente com o símbolo de livro, significa que o utilizador tem que ler as instruções de segurança e operação antes de poder utilizar o equipamento pela primeira vez.
- E. O símbolo CE significa que a máquina está aprovada pela CE. Consulte a Declaração CE que é fornecida com o equipamento para obter mais informações. Se o símbolo CE não estiver presente, isso significa que a máquina não está aprovada pela CE.

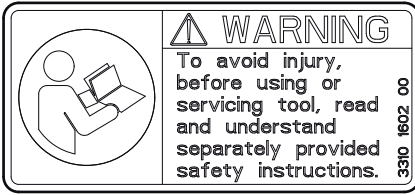
### Autocolante de nível de ruído



O autocolante indica o nível de ruído garantido que corresponde à Directiva-CE 2000/14/CE. Veja os "Dados técnicos" para saber o nível de ruído exacto.



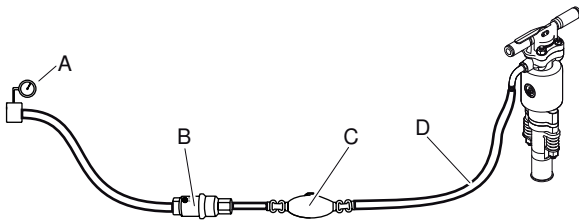
## Autocolante de segurança



Para evitar ferimentos, antes de operar ou fazer manutenção na ferramenta, leia e compreenda as instruções de segurança, fornecidas em separado.

## Instalação

### Mangueiras e ligações



- A. Fonte de ar comprimido
  - B. Separador de água (opcional)
  - C. Lubrificador (opcional)
  - D. Máx. de 10 feet (3 metros) de mangueira de ar comprimido entre o lubrificador e o equipamento.
- ◆ Certifique-se de que está a utilizar a pressão de operação correcta e recomendada, 87 psig (6 bar (e)).
  - ◆ A máxima pressão de ar permitida, 90 psig (6,2 bar (e)), não pode nunca ser excedida.
  - ◆ Sobre quaisquer impurezas da mangueira de ar comprimido antes de a ligar ao equipamento.
  - ◆ Selecione a dimensão e o comprimento correctos para a mangueira de ar comprimido. Para comprimentos até 100 feet (30 metros), deverá ser utilizada uma mangueira com um diâmetro interno mínimo de  $\frac{3}{4}$  in. (19 mm). Caso o comprimento da mangueira seja entre 100 e 330 feet (30 e 100 metros), deverá ser utilizada uma mangueira com um diâmetro interno mínimo de 1 in. (25 mm).

## Métodos para evitar o congelamento

Poderá ocorrer a formação de gelo no silenciador quando a temperatura do ar for de 32-50°F (0-10°C) e a humidade se encontrar elevada.

A máquina está concebida para evitar a formação de gelo no silenciador. Apesar desta situação, e sob condições extremas, poderá haver a formação de gelo no silenciador.

Poderão ser efectuadas as seguintes acções no sentido de evitar este risco:

- ◆ Utilize o CP Airolene Plus Tool Oil como lubrificante. O CP Airolene Plus Tool Oil impede o congelamento.
- ◆ Use um separador de água.

## Conectar o separador de água

O comprimento da mangueira de ar entre o compressor e o separador de água tem de permitir que o vapor de água arrefeça e condense na mangueira antes de atingir o separador de água.

Se a temperatura ambiente for abaixo dos 32°F (0°C), a mangueira tem de ser suficientemente curta para prevenir que a água congele antes de atingir o separador de água.

## Lubrificação

### Lubrificação

O lubrificante é importante para o funcionamento da máquina e tem um grande impacto na vida útil do equipamento. Deve ligar um lubrificador à mangueira de ar, para fornecer o volume correcto de óleo. É recomendada a utilização do lubrificador da linha de ar da Chicago Pneumatic. Para garantir uma boa lubrificação, o comprimento da mangueira de ar entre o lubrificador e a ferramenta pneumática não deve exceder os 10 feet (3 m).

Demasiado lubrificante pode causar problemas de arranque, baixa potência ou desempenho irregular.

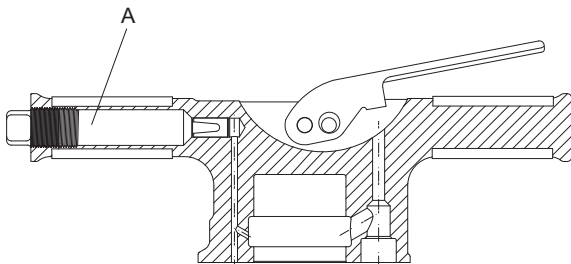
Utilize um lubrificante sintético, tal como o CP Airolene Plus Tool Oil ou óleo mineral com as propriedades recomendadas na tabela que se segue.

Lubrificante	Temperaturas de funcionamento °F (°C)	Viscosidade
CP Airolene Plus Tool Oil	-4 a +120 (-20 a +50)	-
Óleo para ferramenta pneumática	-4 a +60 (-20 a +15)	100-150 SUS (ISO VG 22-32)
Óleo para ferramenta pneumática	+60 a +120 (+15 a +50)	225-350 SUS (ISO VG 46-68)

Recomenda-se que o óleo contenha um agente anti-ferrugem.

### Verificar o nível e encher de lubrificante

- ◆ Os níveis de óleo devem ser verificados diariamente.
- ◆ Limpe com um pano à volta do bujão do óleo e remova-o.
- ◆ Verifique se as espiras de rosca não estão danificadas ou desgastadas.
- ◆ Qualquer peça com espiras de rosca danificadas ou desgastadas tem que ser substituída.
- ◆ Encha com lubrificante em (A).



- ◆ Aperte firmemente o bujão e limpe o óleo em excesso.

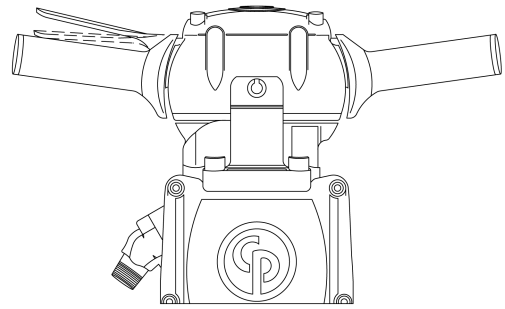
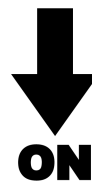
## Operação

### ⚠ ATENÇÃO Arranque involuntário

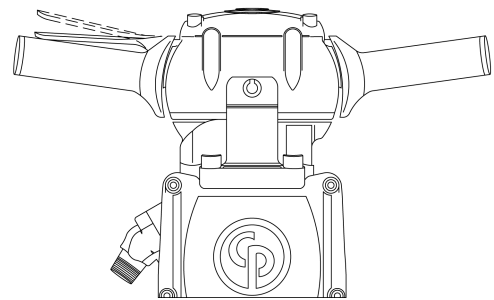
O arranque involuntário da máquina pode provocar ferimentos.

- ▶ Mantenha as mãos longe do dispositivo de arranque e paragem até estar pronto para dar arranque à máquina.
- ▶ Aprenda a como desligar a máquina em caso de emergência.
- ▶ Pare a máquina imediatamente em todos os casos de interrupção de alimentação.

## Arranque e paragem



Dê arranque ao cravador de espigões pneumático, carregando no dispositivo de arranque e paragem.



Dê paragem ao cravador de espigões pneumático, libertando o dispositivo de arranque e paragem. O dispositivo de arranque e paragem regressa automaticamente à posição de paragem.

## Funcionamento

- ◆ Certifique-se de que os espigões a serem cravados estão correctamente aplicados.
- ◆ Ponha o cravador de espigões por cima do espigão e alinhe o cravador de espigões com o espigão.
- ◆ Mantenha-se em posição estável e com os pés longe do espigão.
- ◆ Aplique uma pressão estável contra o espigão e comece a cravação.
- ◆ Liberte o dispositivo de arranque e paragem quando o espigão estiver correctamente assente.
- ◆ Deixe a máquina fazer o seu trabalho; não empurre com demasiada força.
- ◆ Qualquer forma de trabalho em marcha lenta ou com a máquina desencostada da superfície de trabalho tem obrigatoriamente que ser evitada.
- ◆ Quando a máquina está desencostada da superfície de trabalho, não pode nunca ser actuado o dispositivo de arranque e paragem.

- ◆ Certifique-se regularmente de que a máquina está bem lubrificada.

**AVISO** Nunca segure nem toque no espigão durante a cravação.

## Ao fazer uma pausa

- ◆ Durante todas as pausas, terá de pôr a máquina numa posição em que não haja risco de arranque accidental. Certifique-se de que põe a máquina no chão, de maneira a que não possa cair.
- ◆ Na eventualidade de um intervalo de maior duração ou quando sair do local de trabalho: desligue a alimentação e, em seguida, purgue a máquina, activando o dispositivo de arranque/paragem.

## Manutenção

Fazer manutenção regular à máquina é essencial para que a máquina possa continuar a ser utilizada com eficiência e em segurança. Siga cuidadosamente as instruções de manutenção.

- ◆ Antes de começar a manutenção da máquina, limpe-a para evitar exposição a substâncias perigosas. Veja "Perigos de poeiras e fumos".
- ◆ Utilize só peças autorizadas. Quaisquer danos ou mau funcionamento causados pela utilização de peças não autorizadas não estão cobertos pela Garantia ou pela Responsabilidade Legal do Produto.
- ◆ Quando limpar peças mecânicas com solvente, cumpra os regulamentos apropriados de Saúde e Segurança, e certifique-se de que há ventilação suficiente.
- ◆ Para fazer uma grande revisão/reparação à máquina, contacte a sua oficina autorizada mais próxima.
- ◆ Depois de cada assistência, certifique-se de que o nível de vibração da máquina é normal. Se não for, contacte a sua oficina autorizada mais próxima.

## Diariamente

Antes de iniciar qualquer manutenção em máquinas pneumáticas, desligue sempre a alimentação de ar comprimido e purgue a máquina, carregando no dispositivo de arranque e paragem. Em seguida, remova a mangueira de ar do equipamento.

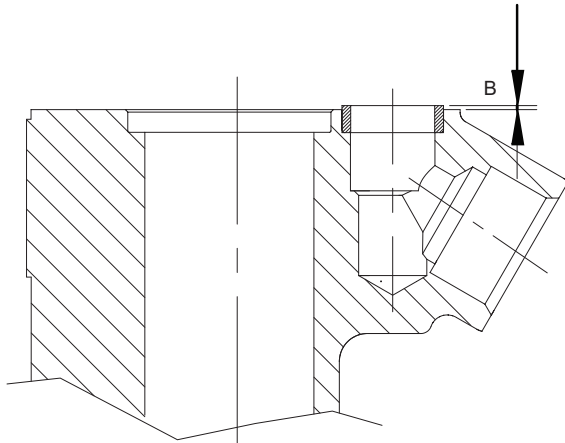
- ◆ Limpe e inspecione a máquina e o respectivo funcionamento todos os dias, antes de começar a trabalhar.
- ◆ Faça uma inspecção geral, procurando fugas e danos.
- ◆ Verifique se o bocal de entrada de ar está bem apertado, e se o acoplamento de garra não está danificado.
- ◆ Substitua imediatamente quaisquer peças danificadas.
- ◆ Substitua atempadamente os componentes desgastados.
- ◆ Certifique-se de que todos os equipamento anexos e relacionados, como mangueiras, separadores de água e lubrificadores, recebem a manutenção correcta.

## Instruções de montagem

Tem obrigatoriamente que tomar cuidados razoáveis durante a montagem e desmontagem da ferramenta para evitar desgastar, arranhar ou distorcer peças de encaixe justo e com acabamento de precisão.

1. Inspeccione todas as superfícies de metal com metal, para detetar entalhes e rebarbas, antes e durante a montagem.
2. Antes de voltar a montar a máquina, lubrifique todos os vedantes O-ring e aplique os lubrificantes recomendados em todas as peças móveis da máquina.
3. Tome os devidos cuidados durante a montagem para evitar a entrada de sujidade na máquina, em especial entre superfícies de encosto.
4. Os parafusos da cabeça frontal devem ser apertados para que os amortecedores fiquem uniformemente comprimidos ao comprimento de montagem dado na secção "Binários de aperto".
5. Quando a montagem estiver terminada, despeje cerca de ½ oz. (1,5 cl) de óleo diretamente para dentro do bocal de entrada de ar, ligue o cravador de espigões pneumático à alimentação de ar comprimido e opere a máquina em aceleração reduzida por 10 a 15 segundos. Quando operar o cravador de espigões pneumático no chão, utilize aceleração reduzida para evitar danos no pistão, no bloco da bigorna e na cabeça dianteira.

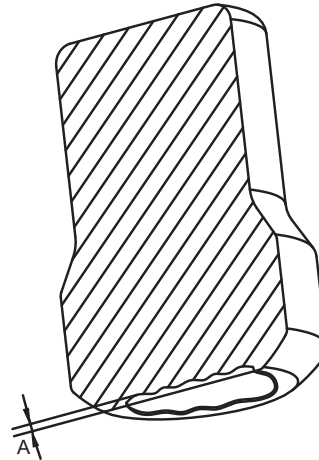
6. Antes de montar a cabeça traseira no cilindro, certifique-se de que o vedante sobressai aproximadamente (B)  $\frac{1}{16}$  in. (1,6 mm) da face do cilindro.



## Manutenção periódica

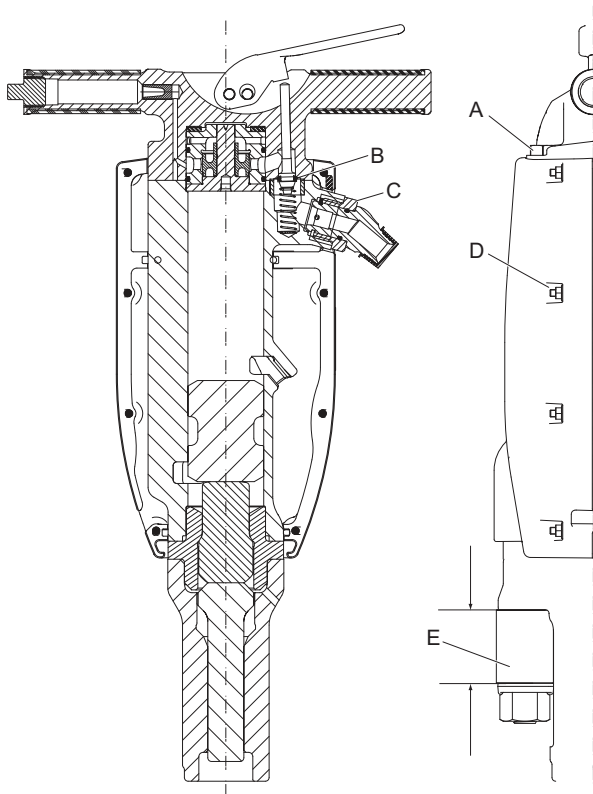
Após cada período de funcionamento de aproximadamente 150 horas de impacto, ou duas vezes por ano, o equipamento tem de ser desmontado, e todas as peças limpas e verificadas. Este trabalho tem que ser feito por pessoal autorizado e qualificado para o efeito.

1. Certifique-se de que as superfícies de acoplamento estão limpas e suaves, e que os parafusos estão apertados.
2. Limpe e inspeccione cuidadosamente as peças internas, e certifique-se de que se encontram livres de ferrugem, sujidade e corpos estranhos.
3. Limpe e inspeccione cuidadosamente as peças da válvula. Certifique-se de que as válvulas se movem livremente.
4. Certifique-se de que as faces de impacto do bloco da bigorna estão paralelas e planas. Se o bloco estiver sobrelevado, lime as extremidades elevadas mas não toque na face polida onde a bigorna bate no encabadouro de aço. Desgaste permitido máximo (A)  $\frac{1}{32}$  " (1 mm). Consulte a ilustração mostrada a seguir.



## Binários de aperto

**AVISO** Quando ajustar um acoplamento de garra ou outro conector ao pivô, use Loctite® 263™ (Loctite é uma marca registada da Henkel Corporation. 263 é uma marca registada da Henkel Corporation), ou outra similar.



- A. Binário: CP 1260 S SPDR e CP 1290 S SPDR, 100 lbf.ft (135 Nm).
- B. O vedante do cilindro deve sobressair aproximadamente 1/16 in. (1,6 mm) antes de montar a cabeça traseira.
- C. Binário: 150 lbf.ft (200 Nm). Aplique Loctite® 263™ (Loctite é uma marca registada da Henkel Corporation. 263 é uma marca registada da Henkel Corporation).
- D. Binário, Muffler 6–7 lbf.ft (8–10 Nm).
- E. Comprimento montado do amortecedor.

Modelo	Comprimento Mín.- Máx. in. (mm)
CP 1260 S SPDR	2,14 -2,19 (54,4–55,6)
CP 1290 S SPDR	2,55 -2,61 (64,8–66,2)

## Diagnóstico e reparação de avarias

Caso a máquina pneumática não arranque, tenha pouca potência ou um desempenho irregular, verifique os seguintes pontos.

- ◆ Verifique se a máquina pneumática tem a quantidade correcta de lubrificante. Demasiada lubrificação poderá causar problemas de arranque, pouca potência ou um desempenho irregular.
- ◆ Certifique-se de que o sistema de ar comprimido fornece à máquina uma pressão de ar suficiente para alcançar a potência total.
- ◆ Certifique-se de que as dimensões e comprimento da mangueira de ar se encontram de acordo com as recomendações. Consulte “Instalação”.
- ◆ Caso exista risco de congelamento, certifique-se de que as saídas de escape do equipamento não se encontram bloqueadas.
- ◆ Se o funcionamento da máquina ainda não for satisfatório depois deste procedimento, contacte um ponto de assistência autorizado.

## Armazenamento

- > Limpe correctamente a máquina antes de a armazenar, para evitar substâncias perigosas. Veja “Perigos de poeiras e fumos”
- > Despeje cerca de 1/2 oz (5 cl) de óleo directamente para dentro do bocal de entrada de ar, ligue a máquina à alimentação de ar comprimido e dê arranque à máquina por alguns segundos.
- > Armazene sempre a máquina num lugar seco.

## Abate

Uma máquina abatida deve ser tratada e eliminada de maneira a que maior parte possível do seu material possa ser reciclada, e que qualquer influência negativa sobre o meio-ambiente seja mantida ao nível mais baixo possível, e em conformidade com as restrições locais.

## Dados técnicos

### Dados da máquina

Tipo	Diâmetro máximo da cabeça in. (mm)	Peso lb (kg)	Comprimento in. (mm)	Frequência do impacto bpm (Hz)	Consumo de ar cfm (l/s)
CP 1260 S SPDR	1¼ (44)	65 (29,5)	24,7 (625)	1300 (21,5)	73 (34,5)
CP 1290 S SPDR	1¼ (44)	84 (38)	26 (660)	1100 (18,3)	91 (43)

### Declaração de ruído e vibração

Nível de ruído garantido **L<sub>w</sub>** de acordo com a EN ISO 3744 e em conformidade com a directiva 2000/14/CE.  
Nível de pressão sonora **L<sub>p</sub>** de acordo com a EN ISO 11203.

Valores das vibrações **A** e incerteza **B** determinado de acordo com EN ISO 20643. Ver a tabela “Dados de ruído e vibração” para os valores de A, B, etc.

Estes valores declarados foram obtidos por meio de ensaios laboratoriais de acordo com a directiva ou as normas declaradas e são adequados para comparação com os valores declarados de outras ferramentas testadas de acordo com as mesmas directivas ou normas. Estes valores declarados não são adequados para utilização em avaliações de risco, e os valores medidos em locais de trabalho individuais podem ser mais elevados. Os valores reais de exposição e o risco para o utilizador individual são únicos e dependem do modo como o utilizador trabalha, do material em que o equipamento é utilizado, bem como do tempo de exposição e do estado físico do utilizador, e das condições da máquina.

Nós, na Atlas Copco Construction Tools AB, não podemos ser considerados responsáveis pelas consequências de usar os valores declarados em vez de valores que reflectam a exposição real na avaliação de riscos pessoais numa situação de trabalho sobre a qual não temos qualquer controlo.

Esta ferramenta poderá provocar síndrome de vibração da mão-braço, se a respectiva utilização não for gerida correctamente. Pode ser encontrada uma guia da CE para gerir a vibração da mão-braço em <http://www.humanvibration.com/humanvibration/EU/VIBGUIDE.html>

Recomendamos um programa de supervisão médica para detectar atempadamente possíveis sintomas que possam estar relacionados com a exposição a vibrações, permitindo modificar os procedimentos de gestão para ajudar a evitar uma futura deficiência.

### Dados sobre o ruído e vibrações

Tipo	Ruído		Vibração	
	Pressão sonora	Potência sonora	Valores dos três eixos	
	Valores declarados		Valores declarados	
	EN ISO 11203	2000/14/CE	EN ISO 20643	
	<b>L<sub>p</sub></b> r=1m dB(A) rel 20µPa	<b>L<sub>w</sub></b> garantido dB(A) rel 1pW	<b>A</b> m/s <sup>2</sup> valor	<b>B</b> m/s <sup>2</sup> dispersões
CP 1260 S SPDR	97	110	20,7	2,5
CP 1290 S SPDR	98	111	18,4	2,3

# Declaração de Conformidade da CE

## Declaração de Conformidade da CE (Directiva da CE 2006/42/CE)

Nós, Atlas Copco Construction Tools AB, declaramos pela presente que as máquinas listadas abaixo se encontram em conformidade com as provisões da Directiva 2006/42/CE da CE (Directiva de Maquinaria) e com a Directiva 2000/14/CE (Directiva de Ruído), e com as normas harmonizadas mencionadas abaixo.

Cravadores de espigões pneumáticos manuais	Nível de potência sonora garantido [dB(A)]	Nível de potência sonora medido [dB(A)]	Pmax (bar)
CP 1260 S SPDR	110	108	6,2
CP 1290 S SPDR	111	109	6,2

### Foram aplicadas as seguintes normas harmonizadas:

- ◆ EN ISO 11148-4

### Foram aplicadas as seguintes outras normas:

- ◆ Lloyds Register Quality Assurance, NoBo no.0088

### Representante autorizado para Documentação Técnica:

Per Forsberg  
Atlas Copco Construction Tools AB  
Dragonvägen 2  
Kalmar

### Director Geral:

Erik Sigfridsson

### Fabricante:

Atlas Copco Construction Tools AB  
391 27 Kalmar  
Sweden

### Local e data:

Kalmar, 2012-11-30

## ITALIANO

**Indice**

<b>Introduzione</b> .....	89
<b>Informazioni sulle istruzioni per la sicurezza e per l'uso</b> .....	89
<b>Istruzioni per la sicurezza</b> .....	90
Terminologia di sicurezza .....	90
Precauzioni e qualifiche personali .....	90
Installazione, precauzioni .....	90
Funzionamento, precauzioni .....	91
Manutenzione, precauzioni .....	94
Conservazione, precauzioni .....	94
<b>Avvertenze</b> .....	95
Modello e funzioni .....	95
Parti principali .....	95
Etichette .....	95
<b>Installazione</b> .....	96
Tubi e collegamenti .....	96
Misure antigelo .....	96
Collegamento del separatore di condensa .....	97
Lubrificazione .....	97
<b>Funzionamento</b> .....	97
Avviamento e arresto .....	97
Condizioni di esercizio .....	98
Durante le pause della lavorazione .....	98
<b>Manutenzione</b> .....	98
Giornaliera .....	98
Istruzioni per il montaggio .....	98
Manutenzione periodica .....	99
Coppie di serraggio .....	99
<b>Ricerca dei guasti</b> .....	101
<b>Immagazzinamento</b> .....	101
<b>Smaltimento</b> .....	101
<b>Dati tecnici</b> .....	102
Dati della macchina .....	102
Dichiarazione in materia di rumore e vibrazioni .....	102
Dati su rumore e vibrazioni .....	102
<b>Dichiarazione di conformità CE</b> .....	103
Dichiarazione di conformità CE (Direttiva CE 2006/42/CE) .....	103



## Introduzione

Grazie per aver scelto i prodotti Chicago Pneumatic. per oltre un secolo, il marchio Chicago Pneumatic ha significato prestazioni e innovazione nel settore degli strumenti pneumatici.

Oggi il marchio è diffuso in tutto il mondo e offre una vasta gamma di utensili pneumatici e idraulici, quali demolitori, perforatrici, martelli scalpellatori, escavatori per argilla, picconatori e dissodatori, scalpellatori, pompe e molto altro ancora.

Il marchio Chicago Pneumatic è associato a prodotti potenti e affidabili, di facile manutenzione, che danno valore al denaro del cliente.

Per ulteriori informazioni si prega di visitare il sito [www.cp.com](http://www.cp.com)

Atlas Copco Construction Tools AB  
Box 703  
391 27 Kalmar  
Sweden

## Informazioni sulle istruzioni per la sicurezza e per l'uso

Scopo di queste istruzioni è fornire informazioni per un uso sicuro ed efficiente del martello battipali pneumatico. Tali istruzioni offriranno inoltre consigli e indicazioni su come eseguire la normale manutenzione del martello battipali pneumatico.

Prima di usare per la prima volta il martello, leggere attentamente queste istruzioni e accertarsi di averle comprese perfettamente.

## Istruzioni per la sicurezza

Per ridurre il rischio di lesioni gravi o morte, per se stessi o altre persone, leggere e comprendere le istruzioni sulla sicurezza e l'uso prima di installare, utilizzare, riparare la macchina, eseguirne la manutenzione o modificare gli accessori della macchina.

Affiggere queste istruzioni per la sicurezza e l'uso nelle sedi di lavoro, fornirne copia agli addetti e assicurarsi che tutti le leggano prima di procedere all'uso o alla manutenzione della macchina.

Inoltre, l'operatore o il proprio datore di lavoro dovrebbero valutare i rischi specifici che potrebbero essere presenti come conseguenza di ciascun utilizzo della macchina.

## Terminologia di sicurezza

Le parole Pericolo, Attenzione e Prudenza hanno i seguenti significati:

<b>PERICOLO</b>	Indica una situazione di pericolo che, qualora non sia evitata, può provocare gravi lesioni personali o morte.
<b>AVVERTENZA</b>	Indica una situazione di pericolo che, qualora non sia evitata, può provocare gravi lesioni personali o morte.
<b>ATTENZIONE</b>	Indica una situazione di pericolo che, qualora non sia evitata, può provocare lievi lesioni personali o di modesta entità.

## Precauzioni e qualifiche personali

L'uso e la manutenzione della macchina sono riservati esclusivamente a personale addestrato e qualificato. Questo deve essere in grado di gestire fisicamente la massa, il peso e la potenza dell'utensile. Utilizzare sempre le regole del buon senso.

### Dispositivi di protezione personale

Utilizzare sempre dispositivi di protezione approvati. Gli operatori e tutte le altre persone presenti nella zona di lavoro devono indossare i dispositivi di protezione, che comprenderanno almeno:

- > Elmetto protettivo
- > Protezione acustica
- > occhiali di sicurezza resistenti agli urti con protezioni laterali
- > protezione delle vie respiratorie, se necessario

- > guanti protettivi
- > calzature protettive adeguate
- > Camice da lavoro idoneo o abbigliamento simile (non largo) che copra braccia e gambe.

### Droghe, sostanze alcoliche o farmaci

#### ▲ AVVERTENZA Droghe, sostanze alcoliche o farmaci

Droghe, sostanze alcoliche o farmaci possono compromettere il proprio giudizio e la capacità di concentrazione. Scarsa reattività e valutazioni imprecise possono causare gravi incidenti o morte.

- ▶ Non utilizzare mai la macchina qualora si sia estremamente stanchi o sotto l'effetto di droghe, sostanze alcoliche o farmaci.
- ▶ Persone sotto l'effetto di droghe, sostanze alcoliche o farmaci non possono utilizzare la macchina.

## Installazione, precauzioni

### ▲ PERICOLO Colpo di frusta del tubo dell'aria

Un tubo ad aria compressa che si scolleghi può avere dei movimenti sferzanti e causare lesioni personali o la morte. Per ridurre tali rischi:

- ▶ Verificare che il tubo flessibile e i collegamenti per l'aria compressa non siano danneggiati, sostituire se necessario.
- ▶ Verificare che tutti i collegamenti per l'aria compressa siano corretti.
- ▶ Non trasportare mai la macchina pneumatica dal tubo dell'aria.
- ▶ non tentare mai di scollegare un tubo ad aria compressa quando è pressurizzato; Interrompere innanzi tutto l'aria compressa sul compressore e spurgare la macchina attivando il dispositivo di avviamento e arresto.
- ▶ Non utilizzare raccordi a sgancio rapido sull'ingresso dell'utensile. Utilizzare raccordi filettati dei tubi in acciaio temprato (o materiale con una equivalente resistenza all'urto).
- ▶ Ogni volta che si utilizzano innesti girevoli universali (raccordi istantanei) raccomandiamo di montare perni di blocco e di utilizzare cavi di sicurezza contro i colpi di frusta per evitare eventuali problemi di collegamento tubo-utensile e tubo-tubo.
- ▶ Non orientare il tubo flessibile per aria compressa verso se stessi o altri. Per evitare il rischio di lesioni, non utilizzare mai l'aria compressa per eliminare ad es. polvere, sporco ecc. dagli abiti.

## **Funzionamento, precauzioni**

### **▲ PERICOLO    Rischio di esplosione**

Qualora un tassello venga a contatto con sostanze o gas esplosivi vi è il rischio di esplosioni. Quando si lavora e si usano determinati materiali in talune parti della macchina, possono verificarsi scintille e incendi. Eventuali esplosioni causerebbero lesioni gravi o morte.

- ▶ Non utilizzare mai la macchina in ambienti esplosivi.
- ▶ Non utilizzare mai la macchina in prossimità di materiali, vapori e polveri infiammabili.
- ▶ Accertarsi che non siano presenti fonti di gas o esplosivi non rilevati.

### **▲ AVVERTENZA    Movimenti inattesi**

Il martello battitore pneumatico è sottoposto a notevoli forze durante l'uso. Tali forze possono causare movimenti rapidi ed imprevisti che possono causare lesioni. Perdite di equilibrio o scivolamenti, inoltre, possono provocare gravi lesioni personali.

- ▶ Operare sempre in posizione stabile, con i piedi allargati parallelamente alle spalle e con il peso del corpo ben bilanciato.
- ▶ Ispezionare sempre l'attrezzatura prima dell'uso. Non utilizzare l'attrezzatura se si sospetta che sia danneggiata.
- ▶ Accertarsi che le impugnature siano pulite e prive di olio e grasso.
- ▶ Tenere lontani mani e piedi dai tasselli da inserire.
- ▶ Afferrare saldamente la macchina con entrambe le mani.
- ▶ Non avviare mai la macchina quando questa si trova coricata al suolo.
- ▶ Non "arrampicarsi" mai sulla macchina appoggiando un piede sull'impugnatura.
- ▶ Non colpire né utilizzare impropriamente l'attrezzatura.
- ▶ Prestare sempre la massima attenzione durante il lavoro.

### **▲ AVVERTENZA    Rischi correlati alla polvere e ai fumi**

Polvere e/o fumi generati o dispersi quando si utilizza la macchina potrebbero provocare patologie respiratorie serie e permanenti, malattie, o altre lesioni corporee (ad esempio silicosi o altre patologie polmonari irreversibili che possono essere fatali, cancro, patologia neonatali, e/o infiammazioni cutanee).

Alcune polveri, fumi prodotti da perforazione, frantumazione, demolizione, taglio, rettifica e altre attività di costruzione, contengono sostanze note presso lo Stato della California e altre autorità come cancerogene e portatrici di patologie respiratorie, patologie neonatali o altri danni correlati alla riproduzione. Tra queste sostanze vi sono, a titolo esemplificativo:

- > silice cristallina, cemento e altri prodotti per l'edilizia.
- > Arsenico e cromo derivati da gomma trattata chimicamente.
- > Vernici a base di piombo.

Polveri e fumi possono essere invisibili all'occhio nudo, quindi non affidarsi alla vista per determinare la presenza di polveri o fumi nell'aria.

Per ridurre il rischio di esposizione a polveri e fumi, agire come segue:

- ▶ Eseguire una valutazione del rischio specifica per il sito. La valutazione dei rischi deve includere le polveri e i fumi creati dall'impiego della macchina e il potenziale di disturbo delle polveri esistenti.
- ▶ Utilizzare controlli strutturali adeguati per ridurre al minimo la quantità di polveri e fumi nell'aria e per ridurre al minimo l'accumulo su attrezzatura, superfici e parti del corpo. Alcuni esempi di controlli sono: sistemi di ventilazione d'estrazione e di raccolta delle polveri, spruzzi d'acqua e perforazione a umido. Controllare polveri e fumi alla fonte, ove possibile. Accertarsi che questi controlli siano adeguatamente installati, sottoposti a manutenzione e utilizzati correttamente.
- ▶ Indossare, sottoporre a manutenzione e utilizzare correttamente protezioni della respirazione come indicato dal datore di lavoro e come richiesto dalle norme sulla sicurezza e la salute sul lavoro. Le protezioni delle vie respiratorie devono essere idonee alle sostanze in questione (e se applicabile, approvate dalle autorità governative incaricate).
- ▶ Lavorare in un'area ben ventilata.
- ▶ Se la macchina ha uno scarico, dirigerlo in modo tale da ridurre il disturbo delle polveri in un ambiente polveroso.
- ▶ Utilizzare e sottoporre a manutenzione la macchina come indicato nelle istruzioni per l'uso e al sicurezza.

- ▶ Selezionare, sottoporre a manutenzione e sostituire i prodotti di consumo/gli utensili inseriti/altri accessori come indicato nelle istruzioni per l'uso e al sicurezza. Una selezione errata o una scarsa manutenzione dei prodotti di consumo/degli utensili inseriti/di altri accessori può causare un inutile aumento di polveri e fumi.
- ▶ Indossare indumenti protettivi lavabili o monouso sul luogo di lavoro e fare la doccia e indossare indumenti puliti prima di lasciare il luogo di lavoro per ridurre l'esposizione alle polveri e ai fumi di se stesso e di altre persone, oltre che di automobili, abitazioni e altre aree.
- ▶ Non mangiare, bere né fare uso di prodotti a base di tabacco in presenza di polveri e fumi.
- ▶ Lavarsi appena possibile accuratamente le mani e il viso quando si esce dall'area di esposizione e sempre prima di mangiare, bere, usare prodotti del tabacco e di entrare in contatto con altre persone.
- ▶ Rispettare tutte le leggi e le normative applicabili, incluse quelle sulla sicurezza e la salute sul lavoro.
- ▶ Partecipare al monitoraggio dell'aria, alle visite mediche programmate e ai corsi di formazione sulla salute e e sulla sicurezza offerti dal proprio datore di lavoro o dall'azienda e in conformità con le normative e le raccomandazioni sulla sicurezza e la salute sul lavoro. Consultare medici esperti in medicina del lavoro.
- ▶ Lavorare con il proprio datore di lavoro e il sindacato per ridurre l'esposizione a polveri e fumi sul posto di lavoro e per ridurre i rischi. Sulla base dei consigli di esperti sulla sicurezza e sulla salute, definire e implementare programmi, politiche e procedure sulla sicurezza e la salute per proteggere i lavoratori e gli altri dall'esposizione pericolosa a polveri e fumi. Consultare gli esperti.
- ▶ I residui di sostanze pericolose sulla macchina possono costituire un rischio. Prima di intraprendere qualsiasi intervento di manutenzione sulla macchina, pulirla accuratamente.

### ▲ AVVERTENZA Proiettili

Eventuali guasti all'utensile, agli accessori o perfino alla macchina stessa possono proiettare parti o componenti ad alta velocità. Durante il funzionamento, schegge o altre particelle del materiale di lavoro possono trasformarsi in proiettili e causare lesioni fisiche, colpendo l'operatore o altre persone. Per ridurre tali rischi:

- ▶ utilizzare dispositivi di protezione individuali ed elmetto di sicurezza omologati, come occhiali di sicurezza resistenti agli urti con protezioni laterali.
- ▶ Assicurarvi che nessuna persona non autorizzata si introduca nella zona di lavoro.
- ▶ Mantenere il luogo di lavoro privo di corpi estranei.
- ▶ Accertarsi che i tasselli da inserire siano ben fissati.

### ▲ AVVERTENZA Pericolo durante la battitura dei tasselli

Se il tassello non è fissato in modo sicuro nel pezzo da lavorare prima di mettere in funzione la macchina, vi è il rischio di lesioni personali.

- ▶ Accertarsi sempre che il tassello sia ben fissato prima di mettere in funzione la macchina.
- ▶ Non tenere mai con la mano o toccare il tassello durante l'operazione di battitura.

### ▲ AVVERTENZA Pericoli di scivolamento, inciampo e caduta

Esiste un rischio di scivolamento, inciampo e caduta per esempio inciampo sui cavi o su altri oggetti. Scivolamento, inciampo e caduta possono causare lesioni. Per ridurre tali rischi:

- ▶ Accertarsi sempre che non vi siano cavi o altri oggetti che ostacolano il cammino dell'utente o di altri.
- ▶ Operare sempre in posizione stabile, con i piedi allargati parallelamente alle spalle e con il peso del corpo ben bilanciato.

### ▲ AVVERTENZA Rischi correlati al movimento

Quando si utilizza la macchina per eseguire attività collegate al lavoro, potrebbe verificarsi fastidio a mani, braccia, spalle, collo o altre parti del corpo.

- ▶ Adottare una postura comoda mantenendo una presa sicura ed evitare strane posture sbilanciate.
- ▶ Il cambio di postura durante lavori prolungati può aiutare a ridurre il fastidio e la fatica.
- ▶ In caso di sintomi persistenti o ricorrenti, consultare un medico professionista qualificato.

### ▲ **AVVERTENZA**    **Rischi correlati alle vibrazioni**

L'uso normale e corretto della macchina espone l'operatore a vibrazioni. Un'esposizione regolare e frequente alle vibrazioni può causare o aggravare, anche solo in parte, lesioni o disturbi a dita, mani, polsi, braccia, spalle e/o nervi e vasi o altre parti del corpo dell'operatore, comprese lesioni o disturbi debilitanti e/o permanenti, che potrebbero svilupparsi gradualmente, nel corso di settimane, mesi o perfino anni. Tali lesioni o disturbi possono provocare danni al sistema circolatorio, sistema nervoso, articolazioni e anche ad altre parti dell'organismo.

Se in un qualunque momento dovessero manifestarsi sintomi quali intorpidimento, fastidio prolungato e ricorrente, sensazione di bruciore, rigidità, formicolio, fitte, indebolimento della presa, dolore, pallore o altro, che si stia utilizzando la macchina o meno, interrompere l'uso e rivolgersi a un medico. La prosecuzione nell'utilizzo della macchina dopo il verificarsi di uno di tali sintomi aumenta il rischio che esso diventi più grave e/o permanente.

Far funzionare ed eseguire la manutenzione sulla macchina come raccomandato in queste istruzioni per impedire un aumento non necessario delle vibrazioni.

Per ridurre l'esposizione dell'operatore alle vibrazioni, adottare le seguenti precauzioni:

- ▶ Lasciare che sia l'attrezzo a eseguire il lavoro. Utilizzare una presa minima sufficiente a consentire un controllo corretto e un funzionamento sicuro.
- ▶ Se la macchina è dotata di impugnature ad assorbimento delle vibrazioni, tenerle in posizione centrale, evitando di premerle nei fermi terminali.
- ▶ Quando è attivato il meccanismo di percussione, il solo contatto che il corpo dell'operatore deve avere con la macchina è delle mani sull'impugnatura/le impugnature. Evitare altro contatto, ad esempio addossando una parte del corpo alla macchina o appoggiandovisi per aumentare la forza di avanzamento. Inoltre è importante mantenere il dispositivo di avviamento e di arresto non innestato durante l'estrazione dell'utensile dalla superficie di lavoro.
- ▶ Accertarsi che l'utensile montato sia stato sottoposto a corretta manutenzione (anche l'affilatura, se è un utensile di taglio), che non sia usurato e che sia delle dimensioni corrette. Utensili di inserimento sui quali non venga eseguita una corretta manutenzione, che siano usurati o di dimensioni errate impiegano più tempo a compiere un'operazione (quindi con un periodo maggiore di esposizione alle vibrazioni) e possono causare o contribuire a più alti livelli di esposizione alle vibrazioni.

- ▶ Interrompere immediatamente il lavoro se la macchina improvvisamente inizia a vibrare eccessivamente. Prima di riprendere il lavoro, individuare e rimuovere la causa dell'aumento delle vibrazioni.
- ▶ Non afferrare mai o toccare l'utensile inserito con la macchina in funzione.
- ▶ Partecipare a sorveglianza o monitoraggio sanitario, esami medici e programmi di formazione resi disponibili dal proprio datore di lavoro e quando richiesto dalla legge.
- ▶ Quando si lavora al freddo, indossare indumenti caldi e tenere sempre le mani calde e asciutte.
- ▶ L'aria di scarico è fortemente refrigerata e non deve venire a contatto con l'operatore. Direzionare sempre il tubo di scarico lontano dalle mani e dal corpo.

Vedere la "Dichiarazione in materia di rumore e vibrazioni" per quanto concerne la macchina, compresi i valori di vibrazione dichiarati. Queste informazioni si trovano al termine di queste istruzioni per la sicurezza e per l'uso.

- ◆ Nell'utilizzare la macchina, adottare la pressione dell'aria raccomandata. Una pressione dell'aria maggiore o inferiore può causare livelli più alti di vibrazioni.

### ▲ **PERICOLO**    **Pericolo elettrico**

La macchina non è isolata elettricamente. In caso di contatto della macchina con l'elettricità possono derivarne lesioni personali gravi o morte.

- ▶ Non mettere mai in funzione la macchina vicino a cavi elettrici o ad altre fonti di elettricità.
- ▶ Accertarsi che non siano presenti cavi nascosti o altre sorgenti elettriche nella zona di lavoro.

### ▲ **AVVERTENZA**    **Pericoli correlati a oggetti nascosti**

Durante il funzionamento, cavi e tubi nascosti possono provocare gravi lesioni personali.

- ▶ Prima del funzionamento, verificare la composizione del materiale.
- ▶ Accertarsi che non vi siano cavi e condutture nascosti, ad es. di elettricità, linee telefoniche, acqua, gas e acque reflue ecc.
- ▶ Qualora si sospetti che il tassello abbia urtato un oggetto nascosto, spegnere immediatamente la macchina.
- ▶ Accertarsi che non vi siano pericoli prima di continuare.

**▲ AVVERTENZA Avviamento accidentale**

L'avviamento accidentale della macchina può provocare gravi lesioni personali.

- ▶ Tenere le mani lontane dal dispositivo di avviamento e arresto fino a quando l'operatore non è pronto ad avviare la macchina.
- ▶ Imparare come fermare la macchina in caso di emergenza.
- ▶ Rilasciare immediatamente il dispositivo di avviamento e arresto in caso di interruzione di corrente.
- ▶ Prima di intraprendere qualsiasi intervento di manutenzione, installazione, ispezione o pulizia, disattivare l'alimentazione pneumatica, spurgare la macchina attivando il dispositivo di avviamento e arresto e scollegare la macchina dall'alimentazione elettrica.

**▲ AVVERTENZA Rischio correlato al rumore**

Elevati livelli di rumore possono causare una perdita dell'udito permanente e disabilitante, nonché altri problemi quali acufeni (fischi, ronzii, crepitii nelle orecchie). Per ridurre i rischi ed evitare qualsiasi inutile aumento dei livelli di rumore:

- ▶ La valutazione del rischio e l'implementazione di adeguati controlli sono fondamentali.
- ▶ Utilizzare e sottoporre a manutenzione la macchina come indicato nelle presenti istruzioni.
- ▶ Se la macchina è dotata di un silenziatore, assicurarsi che sia in posizione e in buone condizioni.
- ▶ Utilizzare sempre protezioni acustiche.

## **Manutenzione, precauzioni**

**▲ AVVERTENZA Modifica della macchina**

Eventuali modifiche alla macchina possono causare lesioni personali all'operatore e ad altre persone.

- ▶ Non modificare mai la macchina. Le macchine modificate non sono coperte da garanzia o responsabilità sul prodotto.
- ▶ Utilizzare sempre ricambi ed accessori originali.
- ▶ Sostituire immediatamente i pezzi danneggiati.
- ▶ Sostituire tempestivamente i componenti usurati.

## **Conservazione, precauzioni**

- ◆ La macchina e gli utensili devono essere conservati in un luogo sicuro e fuori dalla portata dei bambini, chiuso a chiave.

## Avvertenze

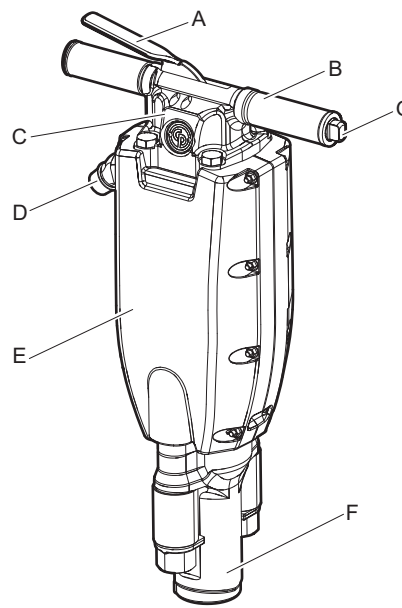
**Per ridurre il rischio di lesioni gravi o morte, per se stessi o altre persone, prima di utilizzare la macchina leggere la sezione delle istruzioni sulla sicurezza che si trova nelle prime pagine di questo manuale.**

## Modello e funzioni

I modelli CP 1260 S SPDR e CP 1290 S SPDR sono progettati per la battitura di tasselli per le ferrovie, per tende, costruzioni e per applicazioni di manutenzione di impianti.

Le macchine hanno una testata anteriore aperta che può accettare diversi tipi di tasselli e caviglie per la battitura. Il diametro massimo della testa dell'oggetto da battere è 1<sup>3</sup>/<sub>4</sub> in. (44 mm). Il martello battipali pneumatico è progettato esclusivamente per uso verticale. Non è consentito un uso diverso da quello indicato.

## Parti principali

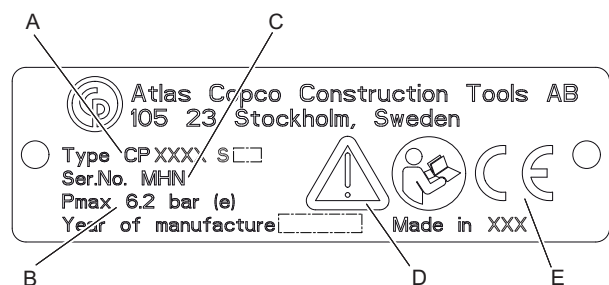


- A. Dispositivo di avviamento e arresto
- B. Impugnatura
- C. Testata posteriore
- D. Presa d'aria
- E. Marmitta
- F. Testata anteriore
- G. Oliatore

## Etichette

Sulla macchina sono apposte etichette contenenti informazioni importanti per la sicurezza dell'operatore e la manutenzione della macchina. Le condizioni delle etichette devono essere tali da consentirne una facile lettura. È possibile ordinare nuove etichette facendo riferimento all'elenco dei pezzi di ricambio.

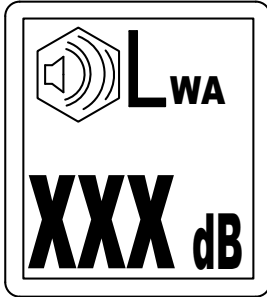
### Targhetta dei dati



- A. Tipo di macchina
- B. Pressione pneumatica massima consentita
- C. Numero di serie

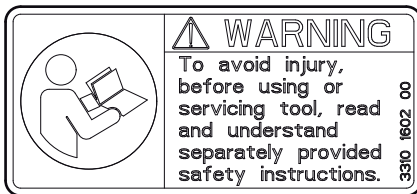
- D. Il simbolo di attenzione insieme al simbolo del libro indicano che occorre leggere le Istruzioni per la sicurezza e per l'uso quando ci si accinge a utilizzare la macchina per la prima volta.
- E. Il simbolo CE indica che la macchina è approvata dalla CE. Per ulteriori informazioni, consultare l'allegata dichiarazione CE. Se il simbolo CE manca, indica che la macchina non è approvata dalla CE.

### Etichetta relativa al livello di rumore



L'etichetta indica l'indicatore di livello rumore garantito corrispondente alla direttiva CE 2000/14/CE. Vedere "Dati tecnici" per il livello di rumore preciso.

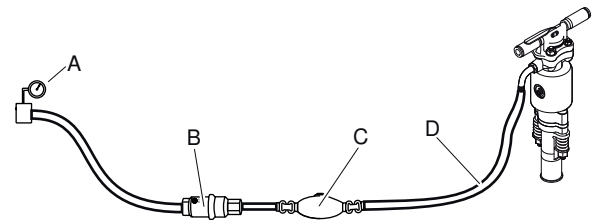
### Etichetta di sicurezza



Per evitare lesioni, prima di usare o di effettuare la manutenzione su un utensile, leggere e comprendere le istruzioni di sicurezza fornite separatamente.

## Installazione

### Tubi e collegamenti



- A. Sorgente di aria compressa
- B. Separatore di condensa (opzionale)
- C. Oliatore (opzionale)
- D. Tubo dell'aria compressa lungo max. 10 feet (3 metri) tra l'oliatore e la macchina.

- ◆ Verificare che si stia usando la corretta pressione operativa raccomandata, 87 psig (6 bar).
- ◆ La pressione massima consentita dell'aria compressa, 90 psig (6,2 bar (e)), non deve mai essere superata.
- ◆ Soffiare via eventuali impurità dal tubo dell'aria compressa prima di collegarlo alla macchina.
- ◆ Selezionare le dimensioni e la lunghezza corrette per il tubo dell'aria compressa. Per tubi di lunghezza superiore a 100 feet (30 metri), usare un tubo con diametro minimo interno di  $\frac{3}{4}$  in. (19 mm). Se il tubo ha una lunghezza tra i 100 e i 330 feet (30 e 100 metri), usare un tubo con diametro interno minimo di 1 in. (25 mm).

### Misure antigelo

La formazione di ghiaccio nel silenziatore si può verificare quando la temperatura ambiente è di 32-50 °F (0-10 °C) e l'umidità relativa è alta.

La macchina è stata progettata in maniera tale da evitare la formazione di ghiaccio nel silenziatore. Malgrado ciò, in condizioni estreme è possibile che ciò accada.

Adottare le seguenti misure per evitare il rischio di formazione di ghiaccio:

- ◆ Usare il lubrificante CP Aiolene Plus Tool Oil. CP Aiolene Plus Tool Oil evita il rischio di congelamento.
- ◆ Usare un separatore di condensa.



## Collegamento del separatore di condensa

Tra il compressore e il separatore di condensa utilizzare un tubo che abbia una lunghezza sufficiente a garantire che il vapore acqueo si raffreddi e si condensi nel tubo prima di raggiungere il separatore.

Se la temperatura ambiente è inferiore a 32°F (0°C), il tubo deve essere sufficientemente corto per evitare il rischio di formazione di ghiaccio prima che l'acqua raggiunga il separatore di condensa.

## Lubrificazione

### Lubrificazione

Il lubrificante è importante per il funzionamento della macchina e ha un impatto significativo sulla sua durata utile. Allo scopo di fornire il corretto volume di olio, al tubo dell'aria si deve collegare un oliatore. Si consiglia l'uso di un oliatore per aria compressa Chicago Pneumatic. Per una buona lubrificazione, la lunghezza del tubo dell'aria tra l'oliatore e l'utensile pneumatico non deve superare 10 feet (3 m).

Un eccesso di lubrificante causa problemi di avvio, potenza bassa o prestazioni irregolari.

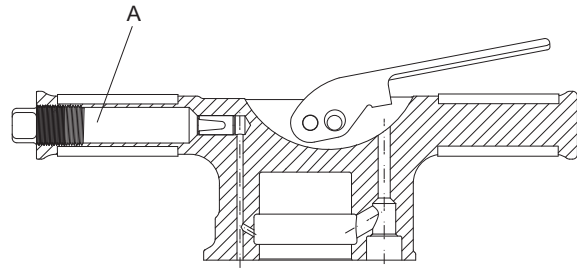
Usare un lubrificante sintetico quale CP Airolene Plus Tool Oil o altro olio minerale avente le proprietà raccomandate nella tabella seguente.

Lubrificante	Intervallo di temperatura °F (°C)	Viscosità
CP Airolene Plus Tool Oil	da -4 a +120 (da -20 a +50)	-
Olio per utensili pneumatici	da -4 a +60 (da -20 a +15)	100-150 SUS (ISO VG 22-32)
Olio per utensili pneumatici	da +60 a +120 (da +15 a +50)	225-350 SUS (ISO VG 46-68)

Quest'olio deve contenere un additivo ad azione antiruggine.

### Controllo del livello e rabbocco del lubrificante

- ◆ Controllare quotidianamente il livello dell'olio.
- ◆ Pulire la zona circostante il tappo dell'olio e rimuoverlo.
- ◆ Verificare che le filettature non siano danneggiate o usurate.
- ◆ Eventuali componenti con filettature danneggiate o usurate vanno sostituiti.
- ◆ Rabboccare il lubrificante (A).



- ◆ Serrare bene il tappo e pulire eventuale olio in eccesso.

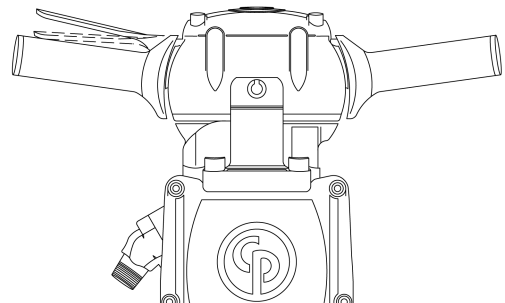
## Funzionamento

### ▲ AVVERTENZA Avviamento accidentale

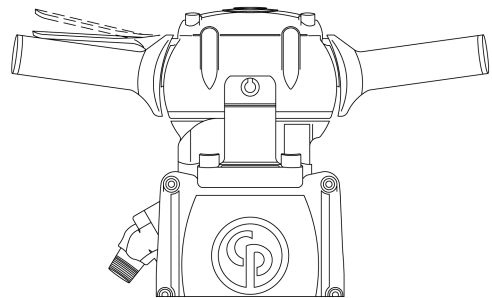
L'avviamento accidentale della macchina può provocare gravi lesioni personali.

- ▶ Tenere lontane le mani dal dispositivo di avviamento ed arresto fino a quando l'operatore non è pronto ad avviare la macchina.
- ▶ Imparare come fermare la macchina in caso di emergenza.
- ▶ Arrestare immediatamente la macchina in caso di interruzione di corrente.

## Avviamento e arresto



Avviare il martello premendo il dispositivo di avviamento e arresto.



Arrestare il martello rilasciando il dispositivo di avviamento e arresto. Il dispositivo di avviamento e arresto torna automaticamente nella posizione di arresto.

## Condizioni di esercizio

- ◆ Assicurarsi che i tasselli da battere siano posizionati correttamente.
- ◆ Collocare il martello sopra il tassello ed allineare la macchina al tassello.
- ◆ Adottare una posizione stabile con i piedi ben lontani dal tassello da battere.
- ◆ Applicare una pressione uniforme sul tassello ed iniziare la battitura.
- ◆ Rilasciare il dispositivo di avviamento e arresto quando il tassello è inserito correttamente.
- ◆ Lasciare che sia la macchina a eseguire il lavoro; non esercitare una pressione eccessiva.
- ◆ Evitare qualunque forma di utilizzo a regime minimo con la macchina sollevata.
- ◆ Quando la macchina viene sollevata, non azionare il dispositivo di avviamento e arresto.
- ◆ Controllare regolarmente che la macchina sia ben lubrificata.

**AVVISO** Non tenere mai con la mano o toccare il tassello durante l'operazione di battitura.

## Durante le pause della lavorazione

- ◆ Durante le pause riporre la macchina in maniera tale che non vi sia rischio di azionamento involontario. Accertarsi di posizionare la macchina a terra in modo tale che non cada.
- ◆ Nel caso in cui la pausa sia lunga o quando si lascia il pezzo da lavorare: interrompere l'erogazione dell'alimentazione e spurgare la macchina attivando il dispositivo di avviamento e arresto.

## Manutenzione

La manutenzione regolare è un requisito di base perché l'uso dell'utensile continui a essere sicuro ed efficiente. Seguire attentamente le istruzioni per la manutenzione.

- ◆ Prima di iniziare la manutenzione sulla macchina, pulirla per evitare l'esposizione a sostanze pericolose. Vedere "Rischi correlati alla polvere e ai fumi"
- ◆ Utilizzare esclusivamente ricambi originali. Eventuali danni o guasti dovuti dall'uso di ricambi non originali non sono coperti dalla garanzia o dalla responsabilità sul prodotto.
- ◆ In caso di pulizia delle parti meccaniche con un solvente, rispettare tutte le norme di sicurezza vigenti e accertarsi che vi sia una ventilazione adeguata.
- ◆ Per la manutenzione completa della macchina, rivolgersi al centro di assistenza autorizzato più vicino.
- ◆ Dopo ogni intervento, controllare che il livello di vibrazione della macchina sia normale. In caso contrario, contattare l'officina autorizzata di zona.

## Giornaliera

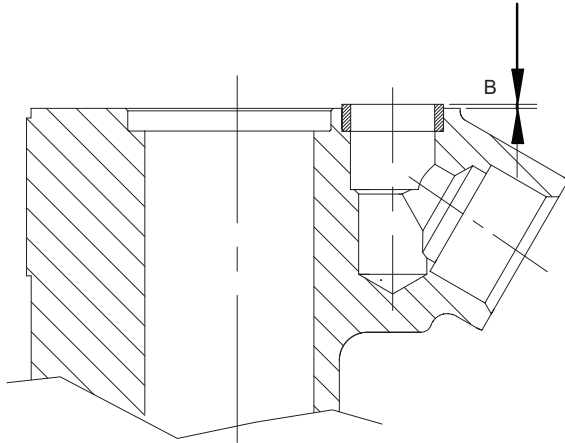
Prima di eseguire qualsiasi intervento di manutenzione su macchine pneumatiche, disinserire sempre l'alimentazione dell'aria e spurgare la macchina premendo il dispositivo di avviamento e arresto. Scollegare quindi il tubo dell'aria dalla macchina.

- ◆ Pulire ed ispezionare la macchina e le sue funzioni ogni giorno prima di iniziare il lavoro.
- ◆ Eseguire un'ispezione generale per verificare che non vi siano perdite o danni.
- ◆ Controllare che il nipplo dell'aria in ingresso sia serrato e che il raccordo a baionetta non sia danneggiato.
- ◆ Sostituire immediatamente i pezzi danneggiati.
- ◆ Sostituire tempestivamente i componenti usurati.
- ◆ Assicurarsi che tutta l'attrezzatura montata o collegata, quali tubazioni, separatori di condensa e oliatori, sia sottoposta a corretta manutenzione.

## Istruzioni per il montaggio

Prestare attenzione durante le operazioni di assemblaggio e disassemblaggio dell'utensile per evitare sbavature, graffi o distorsioni a causa della precisione dell'accoppiamento delle parti.

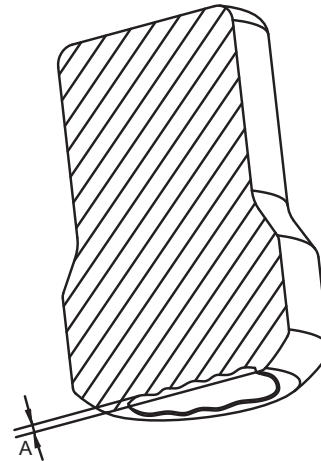
1. Controllare che nessun accoppiamento metallo su metallo presenti intaccature o sbavature prima e durante l'assemblaggio.
2. Prima di riassemblare le parti, lubrificare tutti gli o-ring e spalmare tutte le parti mobili dell'attrezzo con i lubrificanti raccomandati.
3. Durante l'assemblaggio, fare particolare attenzione a non far penetrare impurità nell'attrezzo, soprattutto sulle superfici di contatto.
4. I bulloni anteriori devono essere serrati in modo che i buffer siano compressi in modo omogeneo per ottenere la lunghezza di assemblaggio indicata nella sezione "Coppie di serraggio".
5. Quando l'assemblaggio è completo, versare circa ½ oz. (1,5cl) dell'olio raccomandato nel condotto di aspirazione e avviare l'infissore pneumatico a regime ridotto per 10-15 secondi. Quando si opera l'infissore pneumatico sul suolo, è necessario far girare il motore al minimo per evitare danni al pistone, all'incudine e alla testa anteriore.
6. Prima del montaggio della testa posteriore sul cilindro, controllare che la guarnizione sporga di circa (B) 1/16 in. (1,6 mm) dalla faccia del cilindro.



## Manutenzione periodica

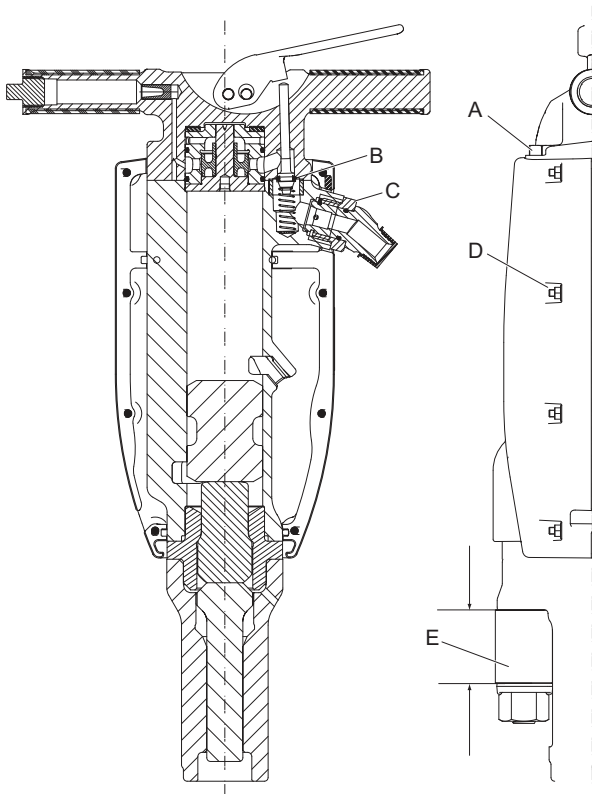
Dopo un periodo d'uso di circa 150 ore di battuta o due volte all'anno, smontare la macchina e pulirne e controllarne tutti i componenti. Questo lavoro deve essere eseguito da personale autorizzato, addestrato a questo compito.

1. Accertarsi che le superfici di congiunzione siano pulite e lisce e che i bulloni siano serrati.
2. Pulire e ispezionare accuratamente i componenti interni e accertarsi che siano privi di ruggine, sabbia o sostanze estranee.
3. Pulire e ispezionare accuratamente i componenti delle valvole. Accertarsi che le valvole si muovano liberamente.
4. Accertarsi che le facce di battuta del blocco dell'incudine siano parallele e piate. Se il blocco risulta leggermente concavo, molare i bordi sporgenti, ma non toccare la faccia lucidata dove l'incudine batte sulla bussola del fioretto. Usura massima consentita (A) 1/32 " (1 mm). Vedere la figura qui di seguito.



## Coppie di serraggio

**AVVISO** Per montare un raccordo a baionetta o altro raccordo all'oscillatore, usare Loctite® 263™ (Loctite è un marchio registrato di Henkel Corporation. 263 è un marchio di Henkel Corporation) o simili.



- A. Coppia: CP 1260 S SPDR e CP 1290 S SPDR, 100 lbf.ft (135 Nm).
- B. Prima del montaggio della testa posteriore, la guarnizione del cilindro deve sporgere di circa  $\frac{1}{16}$  in. (1,6 mm).
- C. Coppia: 150 lbf.ft (200 Nm). Applicare Loctite® 263™ (Loctite è un marchio registrato di Henkel Corporation. 263 è un marchio di Henkel Corporation).
- D. Coppia, silenziatore 6–7 lbf.ft (8–10 Nm).
- E. Lunghezza assemblata del buffer.

Modello	Lunghezza min-max in. (mm)
CP 1260 S SPDR	2.14 -2.19 (54.4–55.6)
CP 1290 S SPDR	2.55 -2.61 (64,8–66,2)

## Ricerca dei guasti

Se la macchina non si avvia, ciò significa che la potenza è bassa o le prestazioni sono irregolari; controllare i seguenti punti:

- ◆ verificare che la macchina abbia la corretta quantità di lubrificante; un eccesso di lubrificante causa problemi di avvio, potenza bassa o prestazioni irregolari.
- ◆ controllare che il sistema ad aria compressa fornisca alla macchina pressione d'aria sufficiente a una potenza completa;
- ◆ verificare che le dimensioni e la lunghezza del tubo dell'aria corrispondano a quelle raccomandate. Si veda "Installazione".
- ◆ In caso di rischio di congelamento, controllare che le porte di scarico della macchina non siano bloccate.
- ◆ se il funzionamento della macchina non è ancora soddisfacente in seguito a questa procedura, contattare un'officina di assistenza autorizzata.

## Immazzamento

- > Pulire bene la macchina prima del magazzinaggio per evitare la presenza di sostanze pericolose. Vedere "Rischi correlati alla polvere e ai fumi"
- > Versare circa 1/2 oz (5 cl) di olio direttamente nel nipplo dell'aria in ingresso, collegare la macchina all'erogazione dell'aria compressa e metterla in funzione per alcuni secondi.
- > Riporre sempre la macchina in un luogo asciutto.

## Smaltimento

Una macchina usurata si deve trattare e smaltire in maniera tale che la maggior parte possibile di materiale possa essere riciclata e che eventuali influenze negative sull'ambiente vengano ridotte al minimo anche nel rispetto delle limitazioni locali.

## Dati tecnici

### Dati della macchina

Tipo	Diametro massimo della testa in. (mm)	Peso lb (kg)	Lunghezza in. (mm)	Freq. di battuta bpm (Hz)	Consumo aria cfm (l/s)
CP 1260 S SPDR	1¼ (44)	65 (29,5)	24,7 (625)	1300 (21,5)	73 (34,5)
CP 1290 S SPDR	1¼ (44)	84 (38)	26 (660)	1100 (18,3)	91 (43)

### Dichiarazione in materia di rumore e vibrazioni

Livello di potenza acustica garantito **L<sub>w</sub>** conforme EN ISO 3744 ai sensi della direttiva 2000/14/CE.

Livello pressione sonora **L<sub>p</sub>** ai sensi EN ISO 11203.

Valore vibrazioni **A** e incertezza **B** determinata secondo EN ISO 20643. Vedere la tabella "Dati di rumore e vibrazioni" per i valori di A, B, ecc.

I valori qui dichiarati sono stati ottenuti mediante test di laboratorio conformi alla direttiva o agli standard indicati e non sono idonei per confronto con i valori dichiarati di altri utensili testati sulla base della stessa direttiva o standard. Tali valori dichiarati non sono adeguati all'uso nelle valutazioni dei rischi e i valori misurati nei singoli luoghi di lavoro possono essere maggiori. I valori di esposizione e i rischi effettivi per ciascun singolo operatore sono unici e dipendono dalle modalità di lavoro dell'operatore, dal materiale con il quale si utilizza la macchina, oltre che dal tempo di esposizione, dalle condizioni fisiche dell'operatore e dalle condizioni della macchina.

Atlas Copco Construction Tools AB non può essere ritenuta responsabile delle conseguenze dell'utilizzo dei valori dichiarati - invece dei valori che riflettono l'esposizione effettiva - nella singola valutazione dei rischi di uno specifico posto di lavoro, sul quale Atlas Copco Construction Tools AB non ha controllo.

Questo utensile può causare una sindrome da vibrazioni mano-braccio se non utilizzato nella maniera idonea. Una guida EU per la gestione delle vibrazioni mano-braccio è reperibile all'indirizzo <http://www.humanvibration.com/humanvibration/EU/VIBGUIDE.html>

Raccomandiamo un programma di sorveglianza sanitaria per rilevare sintomi precoci che possano essere correlati con l'esposizione alle vibrazioni, in maniera tale che le procedure di gestione possano essere modificate per aiutare a prevenire invalidità future.

### Dati su rumore e vibrazioni

Tipo	Rumore		Vibrazioni	
	Pressione sonora	Potenza suono	Valori tre assi	
	Valori dichiarati		Valori dichiarati	
	EN ISO 11203	2000/14/CE	EN ISO 20643	
	<b>L<sub>p</sub></b> r=1m dB(A) rel 20µPa	<b>L<sub>w</sub></b> garantiti dB(A) rel 1pW	<b>A</b> valore m/s <sup>2</sup>	<b>B</b> ampiezza m/s <sup>2</sup>
CP 1260 S SPDR	97	110	20,7	2,5
CP 1290 S SPDR	98	111	18,4	2,3

# Dichiarazione di conformità CE

## Dichiarazione di conformità CE (Direttiva CE 2006/42/CE)

Atlas Copco Construction Tools AB, con il presente documento dichiara che i macchinari elencati di seguito sono conformi ai requisiti specificati dalle Direttive CE 2006/42/CE (Direttiva macchine) e 2000/14/CE (Direttiva sul rumore), nonché agli standard armonizzati specificati di seguito.

Martelli battitori pneumatici manuali	Livello di potenza sonora garantito [dB(A)]	Livello di potenza sonora misurato [dB(A)]	Pmax (bar)
CP 1260 S SPDR	110	108	6,2
CP 1290 S SPDR	111	109	6,2

### Sono stati applicati i seguenti standard armonizzati:

- ◆ EN ISO 11148-4

### Sono stati applicati i seguenti altri standard:

- ◆ Lloyds Register Quality Assurance, NoBo no.0088

### Rappresentante autorizzato Documentazione Tecnica:

Per Forsberg  
Atlas Copco Construction Tools AB  
Dragonvägen 2  
Kalmar

### Direttore Generale:

Erik Sigfridsson

### Produttore:

Atlas Copco Construction Tools AB  
391 27 Kalmar  
Sweden

### Luogo e data:

Kalmar, 2012-11-30

**NEDERLANDS****Inhoud**

<b>Inleiding</b> .....	105
<b>Over de veiligheidsvoorschriften en bedieningshandleiding</b> .....	105
<b>Veiligheidsinstructies</b> .....	106
Veiligheidssignaaltermen.....	106
Persoonlijke voorzorgsmaatregelen en kwalificaties.....	106
Installatie, voorzorgsmaatregelen.....	106
Bediening, voorzorgsmaatregelen.....	107
Onderhoud, voorzorgsmaatregelen.....	111
Opslag, voorzorgsmaatregelen.....	111
<b>Overzicht</b> .....	112
Ontwerp en functie.....	112
Hoofdonderdelen.....	112
Stickers.....	112
<b>Installatie</b> .....	113
Slangen en aansluitingen.....	113
Methoden om bevroren te voorkomen.....	113
Aansluiten van een waterafscheider.....	113
Smering.....	113
<b>Bediening</b> .....	114
Starten en stoppen.....	114
Bediening.....	114
Bij een pauze.....	115
<b>Onderhoud</b> .....	115
Iedere dag.....	115
Assemblagevoorschriften.....	115
Periodiek onderhoud.....	116
Aanhaalkoppels.....	116
<b>Oplossen van storingen</b> .....	116
<b>Opslag</b> .....	117
<b>Opruimen</b> .....	117
<b>Technische gegevens</b> .....	118
Machinegegevens.....	118
Geluids- en trillingsverklaring.....	118
Geluids- en trillingsgegevens.....	118
<b>EG Conformiteitsverklaring</b> .....	119
EG Conformiteitsverklaring (EG-richtlijn 2006/42/EG).....	119



## Inleiding

Bedankt om voor producten van het merk Chicago Pneumatic te kiezen. Meer dan een eeuw staat het merk Chicago Pneumatic voor prestatie en vernieuwing in de industrie van pneumatische gereedschappen.

Vandaag is het merk overal ter wereld beschikbaar voor een reeks pneumatische en hydraulische gereedschappen waaronder breekhamers, boorhamers, hakhamers, pikhamers, opruwers, pompen en nog veel meer.

Het merk Chicago Pneumatic staat voor krachtige en betrouwbare producten, eenvoudig te onderhouden en aan de juiste prijs.

Voor meer inlichtingen kunt u terecht op [www.cp.com](http://www.cp.com)

Atlas Copco Construction Tools AB  
Box 703  
391 27 Kalmar  
Sweden

## Over de veiligheidsvoorschriften en bedieningshandleiding

De aanwijzingen hebben tot doel u te leren hoe u de pneumatische spijkermachine op efficiënte en veilige wijze gebruikt. De voorschriften geven u ook advies en vertellen u hoe u regelmatig onderhoud aan de pneumatische spijkermachine moet plegen.

Voordat u de pneumatische spijkermachine voor het eerst gaat gebruiken, moet u deze voorschriften zorgvuldig lezen en zorgen dat u alles begrijpt.

## Veiligheidsinstructies

Om het risico van ernstig letsel of zelfs overlijden voor uzelf of anderen te beperken, dient u deze Veiligheidsvoorschriften en bedieningshandleiding te hebben gelezen en begrepen voordat u de machine installeert, in gebruik neemt, repareert, onderhoudt of accessoires van de machine vervangt.

Hang deze Veiligheidsvoorschriften en bedieningshandleiding op bij werkplekken, zorg voor kopieën voor werknemers en verzeker u ervan dat iedereen de Veiligheidsvoorschriften en bedieningshandleiding heeft gelezen alvorens de machine te gebruiken of te onderhouden.

Bovendien dient de gebruiker, of de werkgever van de gebruiker, de specifieke risico's te beoordelen, die verbonden kunnen zijn aan de desbetreffende toepassing van de machine.

## Veiligheidssignaaltermen

De veiligheidssignaaltermen Gevaar, Waarschuwing en Voorzichtig hebben de volgende betekenissen:

### GEVAAR

Duidt op een gevaarlijke situatie die, indien deze niet wordt vermeden, de dood of ernstig letsel tot gevolg zal hebben.

### WAARSCHUWING

Duidt op een gevaarlijke situatie die, indien deze niet wordt vermeden, de dood of ernstig letsel tot gevolg kan hebben.

### VOORZICHTIG

Duidt op een gevaarlijke situatie die, indien deze niet wordt vermeden, gering of middelzwaar letsel tot gevolg kan hebben.

## Persoonlijke voorzorgsmaatregelen en kwalificaties

De machine mag uitsluitend worden bediend en onderhouden door hiertoe gekwalificeerde en opgeleide personen. Ze dienen fysiek in staat te zijn om de massa, het gewicht en de kracht van het gereedschap aan te kunnen. Gebruik altijd uw gezond verstand en beoordelingsvermogen.

## Persoonlijke veiligheidsuitrusting

Gebruik altijd goedgekeurde beschermende uitrusting. Operators en alle andere personen binnen het werkgebied moeten beschermende uitrusting dragen, minimaal bestaand uit:

- > Veiligheidshelm
- > Gehoorbescherming
- > Slagvaste oogbescherming met zijwaartse bescherming
- > Bescherming van de luchtwegen indien van toepassing
- > Veiligheidshandschoenen
- > Geschikte veiligheidsschoenen/laarzen
- > Een geschikte werkoverall of soortgelijke kleding (niet loszittend) die uw armen en benen bedekt.

## Drugs, alcohol of medicijnen

### ▲ WAARSCHUWING Drugs, alcohol of medicijnen

Drugs, alcohol en medicijnen kunnen uw beoordelings- en concentratievermogen beïnvloeden. Een gebrekkig reactievermogen en onjuiste beoordelingen kunnen leiden tot ernstige ongevallen of zelfs de dood.

- ▶ Gebruik de machine nooit als u vermoeid bent of onder de invloed van drugs, alcohol of medicijnen.
- ▶ Geen enkele persoon die onder de invloed is van drugs, alcohol of medicijnen mag de machine bedienen.

## Installatie, voorzorgsmaatregelen

### ▲ GEVAAR Zwiepende luchtslang

Een persluchtslang die is losgekomen, kan rondslaan en persoonlijk letsel of de dood veroorzaken. Neem de volgende voorzorgsmaatregelen om dit risico te beperken:

- ▶ Controleer de persluchtslang en de koppelingen op beschadiging en vervang ze indien vereist.
- ▶ Controleer of alle persluchtkoppelingen goed bevestigd zijn.
- ▶ Draag pneumatische machines nooit aan de luchtslang.
- ▶ Probeer nooit een persluchtslang die onder druk staat te ontkoppelen. Zet eerst de perslucht af aan de compressor en ontluft vervolgens de machine door de start- en stopvoorziening te bedienen.

- ▶ Gebruik geen snelkoppelingen aan de inlaat van het gereedschap. Gebruik slangkoppelingen met schroefdraad van gehard staal (of materiaal met een vergelijkbare schokweerstand).
- ▶ Bij gebruik van universele draaikoppelingen (klauwkoppelingen) adviseren we om altijd vergrendelingspennen te monteren en veiligheidskabels (whipcheck) te gebruiken, ter bescherming tegen eventuele defecten aan de aansluiting van slang op gereedschap en van slang op slang.
- ▶ Richt een persluchtslang nooit op uzelf of iemand anders. Om het risico van lichamelijk letsel te vermijden, dient u nooit perslucht te gebruiken om stof, vuil, enz., van uw kleding te verwijderen.
- ▶ Sta stevig en houd de machine altijd met beide handen vast.
- ▶ Start de machine nooit als hij op de grond ligt.
- ▶ Nooit op de machine “rijden” met een been over de handgreep.
- ▶ Sla nooit op de apparatuur en gebruik hem niet op oneigenlijke wijze.
- ▶ Wees oplettend en kijk goed wat u doet.

## Bediening, voorzorgsmaatregelen

### ▲ GEVAAR Explosiegevaar

Als een spijker in contact komt met explosieven of explosieve gassen, kan er een explosie plaatsvinden. Bij werk aan bepaalde materialen en bij toepassing van bepaalde materialen in machineonderdelen, kunnen vonken en ontvlaming optreden. Explosies zullen leiden tot ernstig letsel of zelfs de dood.

- ▶ Gebruik de machine nooit in explosieve omgevingen.
- ▶ Gebruik de machine nooit in de nabijheid van ontvlambare materialen, gassen of stof.
- ▶ Controleer of er geen ongedetecteerde gasbronnen of explosieven zijn.

### ▲ WAARSCHUWING Onverwachte bewegingen

De spijkermachine wordt tijdens het gebruik aan diverse krachten blootgesteld. Deze krachten kunnen plotse en onverwachte bewegingen veroorzaken, met het risico van persoonlijk letsel. Bovendien kan letsel worden veroorzaakt als u uw evenwicht verliest of uitglijdt.

- ▶ Zorg ervoor dat uw positie altijd stabiel is, met uw voeten zover van elkaar als uw schouders breed zijn, en houd uw lichaamsgewicht in balans.
- ▶ Inspecteer de apparatuur altijd voordat u hem gaat gebruiken. Gebruik de apparatuur nooit als u vermoedt dat hij beschadigd is.
- ▶ Zorg ervoor dat de handgrepen schoon en vrij van vet en olie zijn.
- ▶ Houd uw handen en voeten altijd uit de buurt van de spijker.

**▲ WAARSCHUWING    Gevaren van stof en damp**

Stof en/of dampen die worden ontwikkeld of vrijkomen tijdens het gebruik van de machine, kunnen ernstige en permanente ademhalingsaandoeningen, ziekten of ander lichamelijk letsel veroorzaken (zoals silicose (stoflong) of andere chronische en mogelijk fatale longziekten, kanker, geboortefwijkingen en/of huidontstekingen).

Bepaalde stofdeeltjes en dampen, die geproduceerd worden bij boren, slopen, hameren, zagen, slijpen en andere bouwactiviteiten, bevatten stoffen die volgens de Staat Californië en andere overheden ziekten van de ademhalingswegen, kanker, geboortefwijkingen of andere voortplantingsstorings veroorzaken. Voorbeelden van dergelijke stoffen zijn:

- > kristalsilicaat, cement en andere metselwerkproducten.
- > Arseniek en chroom van chemisch behandeld rubber.
- > Lood van op lood gebaseerde verfstoffen.

De in de lucht aanwezige stof en dampen kunnen met het blote oog onzichtbaar zijn. Vertrouw daarom niet op uw gezichtsvermogen om te bepalen of de lucht stof of dampen bevat.

Neem de volgende voorzorgsmaatregelen om het gevaar van blootstelling aan stof en dampen te reduceren:

- ▶ Voer een risicobeoordeling uit die specifiek is voor de werkplek. Deze risicobeoordeling dient rekening te houden met stof en dampen die door de machine worden geproduceerd en met de mogelijkheid dat reeds aanwezig stof opwerfelt.
- ▶ Gebruik geschikte constructiemiddelen om de hoeveelheid stof en dampen in de lucht en stofvorming op apparatuur, oppervlakken, kleding en lichaamsdelen tot een minimum te reduceren. Voorbeelden van dergelijke middelen zijn: uitlaatventilatie en stofopvangsystemen, waterspray en nat boren. Beperk de vorming van stof en dampen zo veel mogelijk bij hun bronnen. Zorg ervoor dat zulke hulpmiddelen naar behoren worden geïnstalleerd en onderhouden.
- ▶ Draag, onderhoud en gebruik alle luchtwegbeschermingsmiddelen correct volgens de aanwijzingen van uw werkgever en de wettelijke ARBO-voorschriften. De luchtwegbeschermingsmiddelen moeten doelmatig zijn voor het stoftype in kwestie (en, indien van toepassing, zijn goedgekeurd door de desbetreffende overheidsinstantie).
- ▶ Werk in een goed geventileerde ruimte.

- ▶ Als de machine een uitlaat heeft: richt de uitlaat dusdanig dat het opwerpen van stof in stoffige omgevingen zo goed mogelijk wordt voorkomen.
- ▶ Bedien en onderhoud de machine volgens de Veiligheidsvoorschriften en bedieningshandleiding.
- ▶ Kies, onderhoud en vervang verbruiksartikelen, inzetgereedschappen en andere accessoires volgens de aanbevelingen in de Veiligheidsvoorschriften en bedieningshandleiding. Een foutieve keuze en gebrekkig onderhoud van verbruiksartikelen, inzetgereedschappen en andere accessoires, kunnen resulteren in een nodeloze toename van de hoeveelheid stof en/of dampen.
- ▶ Draag ter bescherming op de werkplek wasbare kleding of wegwerpkleding. Neem een douche en trek schone kleren aan voordat u de werkplek verlaat om blootstelling aan stof en dampen van uzelf en anderen, auto's, woningen en andere plekken te reduceren.
- ▶ Eet en drink niet en gebruik geen tabaksproducten op plaatsen waar stof of dampen aanwezig zijn.
- ▶ Was uw handen en gezicht zo snel mogelijk na het verlaten van een plaats van blootstelling en altijd voordat u eet, drinkt of tabaksproducten gebruikt en voordat u in contact komt met andere mensen.
- ▶ Neem alle toepasselijke wettelijke voorschriften en bepalingen in acht, met inbegrip van de ARBO-voorschriften.
- ▶ Neem deel aan de door uw werkgever of werknemersorganisatie georganiseerde activiteiten op het gebied van luchtbewaking, medisch onderzoek en ARBO-cursussen, in overeenstemming met de geldende gezondheids- en veiligheidsvoorschriften en -adviezen. Raadpleeg artsen met ervaring van beroepsgerelateerde geneeskunde.
- ▶ Werk samen met uw werkgever en werknemersorganisatie om blootstelling aan stof en dampen op de werkplek tegen te gaan en de risico's hiervan te reduceren. Effectieve programma's ter bevordering van de gezondheid en veiligheid, evenals procedures voor de bescherming van werknemers en anderen tegen schadelijke blootstelling aan stof en dampen dienen te worden opgesteld en geïmplementeerd op basis van adviezen van gezondheids- en veiligheidsdeskundigen. Raadpleeg deskundigen.
- ▶ Resten van gevaarlijke stoffen op de machine kunnen een risico vormen. Reinig de machine grondig voordat u enige onderhoudswerkzaamheden uitvoert.

**▲ WAARSCHUWING Projectielen**

Als werkstukken, accessoires of de machine zelf stukgaan, kan dit tot gevolg hebben dat er projectielen met hoge snelheid vrijkomen. Tijdens het gebruik kunnen splinters of andere deeltjes van het materiaal waarmee wordt gewerkt projectielen worden en persoonlijk letsel veroorzaken, doordat ze de gebruiker of andere personen raken. Neem de volgende voorzorgsmaatregelen om dit risico te beperken:

- ▶ Gebruik goedgekeurde persoonlijke beschermingsmiddelen en een veiligheidshelm, inclusief een stootvaste oogbescherming met zijdelingse bescherming.
- ▶ Zorg ervoor dat onbevoegde personen geen toegang hebben tot het werkgebied.
- ▶ Houd de werkplek vrij van vreemde voorwerpen.
- ▶ Verzeker u ervan dat spijker stevig en veilig bevestigd is.

**▲ WAARSCHUWING Gevaar van machinaal spijkeren**

Als de spijker niet veilig in het werkstuk is bevestigd voordat de machine wordt bediend, bestaat het risico van lichamelijk letsel.

- ▶ Zorg er steeds voor dat de spijker vastzit voordat u de machine bedient.
- ▶ Houd spijkers nooit vast en raak ze niet aan tijdens het machinaal spijkeren.

**▲ WAARSCHUWING Gevaren van uitglijden, struikelen en vallen**

Het risico van uitglijden, struikelen en vallen is aanwezig, bij voorbeeld dat men over slangen of andere voorwerpen struikelt. Uitglijden, struikelen en vallen kunnen lichamelijk letsel veroorzaken. Neem de volgende voorzorgsmaatregelen om dit risico te beperken:

- ▶ Zorg er altijd voor dat er geen slangen en andere voorwerpen voor uzelf en voor anderen in de weg liggen.
- ▶ Zorg er altijd voor dat u stabiel staat – met uw voeten zover uit elkaar als uw schouders breed zijn – en met uw lichaamsgewicht in evenwicht.

**▲ WAARSCHUWING Gevaren van bewegingen**

Als u de machine gebruikt voor werkgerelateerde activiteiten, kunt u ongemak ervaren in uw handen, armen, schouders, nek en andere lichaamsdelen.

- ▶ Neem een comfortabele werkhouding aan, met uw voeten in een veilige stand en vermijd ongemakkelijke houdingen uit evenwicht.
- ▶ Het wisselen van houding tijdens langdurige taken kan helpen om ongemak en vermoeidheid te voorkomen.
- ▶ Raadpleeg bij aanhoudende of herhaalde symptomen een gekwalificeerde gezondheidswerker.

**▲ WAARSCHUWING    Gevaren van trillingen**

Normaal en correct gebruik van de machine stelt de operator bloot aan trillingen. Regelmatige en frequente blootstelling aan trillingen kan letsel veroorzaken. Het kan ertoe bijdragen dat aandoeningen ontstaan of verergeren aan de vingers, handen, armen, polsen, schouders en/of zenuwen, en aan de bloedtoevoer of andere lichaamsdelen van de operator. Verzwakking en/of blijvend letsel of aandoeningen kunnen zich ook geleidelijk voordoen in de loop van weken, maanden of jaren. Dergelijk letsel en aandoeningen kunnen ook omvatten: schade aan de bloedsomloop, schade aan het zenuwstelsel, schade aan gewrichten evenals mogelijke schade aan andere lichaamsdelen.

Als ongevoeligheid, aanhoudend lichamelijk ongemak, brandend gevoel, stijfheid, kloppen, tintelen, pijn, onhandigheid, een verzwakte grip, verbleking van de huid of andere symptomen op welk moment dan ook optreden tijdens het bedienen van de machine of tijdens het niet bedienen van de machine: ga niet weer met de machine aan de slag, maar informeer uw werkgever en zoek medische hulp. Als u de machine blijft gebruiken nadat zich een dergelijk symptoom heeft voorgedaan, kan dit het risico verhogen dat de symptomen ernstiger en/of blijvend worden.

Gebruik en onderhoud de machine volgens de aanbevelingen in deze handleiding om nodeloze toename van trillingen te voorkomen.

De volgende aandachtspunten kunnen helpen om de blootstelling aan trillingen van de operator te reduceren:

- ▶ Laat het gereedschap het werk doen. Gebruik een minimale handgreep, strokend met een degelijke controle en veilige bediening.
- ▶ Als de machine trillingsabsorberende handgrepen heeft: houd deze in een centrale positie en druk de handgrepen niet in de eindstopstanden.
- ▶ Wanneer u het slagmechanisme hebt geactiveerd, is het enige lichamelijke contact dat u met de machine dient te hebben, via uw handen op de handgreep/handgrepen. Vermijd enig ander contact, bijv. het steunen van lichaamsdelen tegen de machine of het leunen op de machine om te proberen meer kracht te zetten. Het is ook belangrijk dat de start- en stopvoorziening niet is ingeschakeld, als u het gereedschap uit het werkoppervlak trekt.

- ▶ Zorg ervoor dat het inzetgereedschap goed wordt onderhouden (inclusief de scherpte, als het een snijdend gereedschap is), niet versleten is en de juiste afmeting heeft. Bij gebruik van inzetgereedschappen die niet goed zijn onderhouden, die versleten zijn of niet de juiste afmetingen hebben, duurt het langer om een karwei af te maken (en wordt men dus langer blootgesteld aan trillingen) en het kan tevens resulteren in, of bijdragen aan hogere niveaus van blootstelling aan trillingen.
- ▶ Stop onmiddellijk met werken als de machine plotseling hevig begint te trillen. Voordat u het werk weer oppakt, moet eerst de oorzaak van de verhoogde trillingen worden gevonden en worden verholpen.
- ▶ Het inzetgereedschap nooit vastpakken, vasthouden of aanraken zo lang u de machine gebruikt.
- ▶ Neem deel aan programma's voor gezondheidsbewaking of controle, medisch onderzoek en aan de opleidingen die u worden aangeboden door uw werkgever en wanneer die wettelijk zijn vereist.
- ▶ Draag bij werk in een koude omgeving warme kleding en houd uw handen warm en droog.
- ▶ De uitlaatlucht is uiterst gekoeld en mag niet in contact komen met de operator. Richt de uitlaatlucht altijd uit de buurt van handen en lichaam.

Zie de "Geluids- en trillingsverklaring" voor de machine, met inbegrip van de vermelde trillingswaarden. Deze informatie vindt u aan het einde van de Veiligheidsvoorschriften en bedieningshandleiding.

- ◆ Zorg dat de luchtdruk is zoals aanbevolen als u de machine gebruikt. Zowel een hogere als een lagere luchtdruk kan mogelijk resulteren in hogere trillingniveaus.

**▲ GEVAAR    Elektrisch gevaar**

De machine is niet elektrisch geïsoleerd. Als de machine in contact komt met elektriciteit, kan dat leiden tot ernstig letsel of de dood.

- ▶ De machine nooit bedienen in de buurt van een elektriciteitskabel of een andere elektriciteitsbron.
- ▶ Verzeker u ervan dat er geen sprake is van verborgen bedrading of andere elektriciteitsbronnen binnen het werkterrein.

**▲ WAARSCHUWING    Gevaar van  
verborgen objecten**

Tijdens het gebruik kunnen verborgen kabels en buizen een gevaar vormen dat kan resulteren in ernstig letsel.

- ▶ Controleer de samenstelling van het materiaal voordat u aan de slag gaat.
- ▶ Kijk uit voor verborgen kabels, leidingen en buizen, b.v. van elektriciteit, telefoon, water, gas, riolering, enz.
- ▶ Als u vermoedt dat de spijker een verborgen object heeft geraakt: zet de machine dan onmiddellijk af.
- ▶ Verzeker u er eerst van dat er geen gevaar dreigt voordat u verder werkt.

**▲ WAARSCHUWING    Onbedoeld starten**

Als de machine per abuis wordt gestart, kan dit letsel veroorzaken.

- ▶ Houd uw handen weg van de start- en stopvoorziening totdat u gereed bent om de machine te starten.
- ▶ Leer hoe u de machine in noodgevallen uitschakelt.
- ▶ Laat de start- en stopvoorziening altijd onmiddellijk los zodra de voeding uitvalt.
- ▶ Voordat u onderhouds-, installatie-, inspectie- of reinigingswerk verricht: schakel eerst de luchttoevoer uit, ontlucht de machine door de start- en stopvoorziening te activeren en ontkoppel de machine van de krachtbron.

**▲ WAARSCHUWING    Gevaar door geluid**

Hoge geluidsniveaus kunnen permanent en schadelijk gehoorverlies veroorzaken, evenals andere klachten, zoals tinnitus (rinkelen, zoemen, fluiten of gonzen in de oren). Ga als volgt te werk om de risico's te verminderen en nodeloos hoge geluidsniveaus te voorkomen:

- ▶ Een risicobeoordeling van deze gevaren en adequate voorzorgsmaatregelen zijn van essentieel belang.
- ▶ Bedien en onderhoud de machine volgens deze aanwijzingen.
- ▶ Als de machine een geluidsdemper heeft: controleer of hij aanwezig is en in goede bedrijfsstaat verkeert.
- ▶ Draag altijd een gehoorbescherming.

**Onderhoud,  
voorzorgsmaatregelen****▲ WAARSCHUWING    Modifieren van de  
machine**

Iedere modificatie van de machine kan resulteren in lichamelijk letsel voor u zelf of anderen.

- ▶ Modificeer de machine onder geen beding. Gemodificeerde machines worden niet gedekt door de garantie of productaansprakelijkheid.
- ▶ Gebruik uitsluitend originele onderdelen en accessoires.
- ▶ Vervang beschadigde onderdelen onmiddellijk.
- ▶ Vervang versleten componenten op tijd.

**Opslag,  
voorzorgsmaatregelen**

- ◆ Bewaar de machine en gereedschappen op een veilige plaats, buiten het bereik van kinderen en achter slot en grendel.

## Overzicht

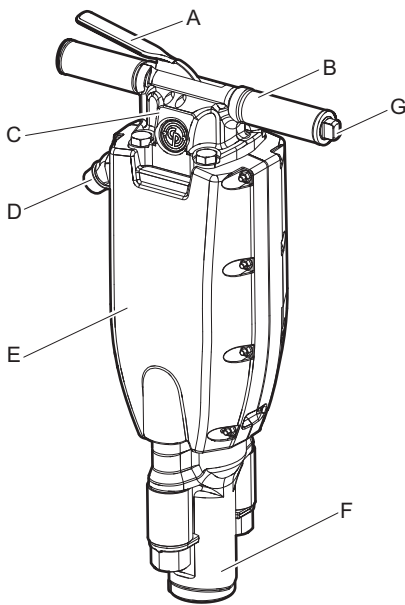
**Om het risico van ernstig letsel of overlijden voor u zelf of anderen te reduceren, dient u voordat u de machine gaat gebruiken de Veiligheidsvoorschriften te lezen, die u vindt op de voorgaande pagina's van dit handboek.**

## Ontwerp en functie

De CP 1260 S SPDR en CP 1290 S SPDR zijn geconstrueerd voor machinaal spijkeren in spoorweg-, tent-, bouw- en installatieonderhoudstoepassingen.

Ze hebben een open voorkopstuk waarin verschillende voorwerpen voor spijkeren kunnen worden geplaatst. De maximum kopdiameter van voorwerpen is 1 3/4 in. (44 mm). De pneumatische spijkermachines zijn uitsluitend geconstrueerd voor verticaal gebruik. Ander gebruik is niet toegestaan.

## Hoofdonderdelen

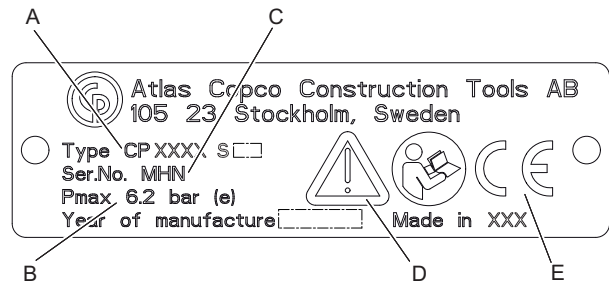


- A. Start- en stopvoorziening
- B. Handgreep
- C. Achterkopstuk
- D. Luchtinlaat
- E. Geluiddemper
- F. Voorste kopstuk
- G. Smeerbus

## Stickers

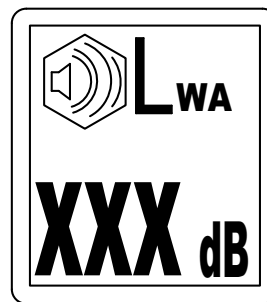
De machine is voorzien van stickers met belangrijke informatie over persoonlijke veiligheid en machineonderhoud. De stickers moeten in dusdanige staat zijn, dat ze makkelijk leesbaar zijn. Nieuwe stickers kunt u bestellen uit de reserveonderdelenlijst.

### Gegevensplaatje



- A. Machinetype
- B. Maximaal toegestane luchtdruk
- C. Serienummer
- D. Het waarschuwingssymbool samen met het boeksymbool betekent dat de gebruiker de Veiligheidsvoorschriften en de bedieningshandleiding moet lezen voordat de machine voor het eerst wordt gebruikt.
- E. Het CE-symbool betekent dat de machine een EG-goedkeuring heeft. Zie de bij de machine geleverde EG-verklaring voor meer informatie. Als het CE-symbool ontbreekt, betekent dit dat de machine geen EG-goedkeuring heeft.

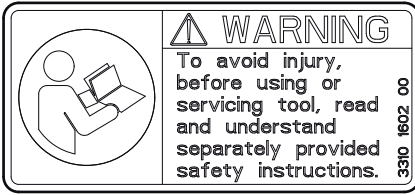
### Sticker geluidsniveau



De sticker geeft aan dat de gegarandeerde geluidsniveau-indicator correspondeert met EU-richtlijn 2000/14/EG. Zie "Technische gegevens" voor het exacte geluidsniveau.



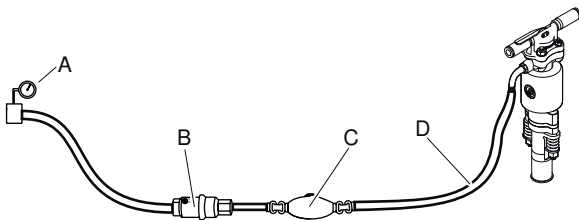
## Veiligheidssticker



Om letsel te voorkomen, dient u de afzonderlijke veiligheidsvoorschriften te hebben gelezen en begrepen voordat u gereedschappen gebruikt of onderhoudt.

## Installatie

### Slangen en aansluitingen



- A. Persluchtbron
- B. Waterafscheider (optioneel)
- C. Smeerbus (optioneel)
- D. Max. 10 feet (3 meter) persluchtslang tussen de oliesmeerbus en de machine.

- ♦ Controleer of u de juiste aanbevolen werkdruk gebruikt, 87 psig (6 bar (e)).
- ♦ De maximaal toegestane luchtdruk, 90 psig (6,2 bar (e)), mag niet worden overschreden.
- ♦ Blaas eventuele onzuiverheden uit de persluchtslang voordat u hem aansluit op de machine.
- ♦ Kies de juiste afmeting en lengte voor de persluchtslang. Voor slanglengten tot 100 feet (30 meter) moet een slang met een inwendige diameter van minstens  $\frac{3}{4}$  in. (19 mm) worden gebruikt. Als de slanglengte tussen 100 en 330 feet (30 en 100 meter) ligt, moet een slang met een inwendige diameter van minimaal 1 in. (25 mm) worden gebruikt.

## Methoden om bevroren te voorkomen

Ijsvorming in de geluiddemper kan ontstaan als de temperatuur van de omgevingslucht 32-50 °F (0-10 °C) is en de relatieve vochtigheid hoog is.

De machine is geconstrueerd om ijsvorming in de geluiddemper te voorkomen. Desondanks kan zich onder extreme omstandigheden ijs vormen in de geluiddemper.

De volgende maatregelen kunnen worden genomen om het risico van ijsvorming verder tegen te gaan:

- ♦ Gebruik CP Aiolene Plus Tool Oil als smeermiddel. CP Aiolene Plus Tool Oil gaat bevrozing tegen.
- ♦ Gebruik een waterafscheider.

## Aansluiten van een waterafscheider

De lengte van de slang tussen de compressor en de waterafscheider moet zodanig zijn dat de waterdamp wordt gekoeld en condenseert in de slang voordat de waterafscheider wordt bereikt.

Als de omgevingstemperatuur lager is dan 32 °F (0 °C) moet de slang kort genoeg zijn om te voorkomen dat het water bevroert voordat het de waterafscheider bereikt.

## Smering

### Smering

Het smeermiddel is belangrijk voor de werking van de machine en is van grote invloed op de levensduur. Om te zorgen voor de juiste hoeveelheid olie, moet een smeervoorziening worden aangesloten op de luchtslang. Het gebruik van een oliesmeerbus van het merk Chicago Pneumatic voor de luchtleiding wordt aanbevolen. Om een goede smering te garanderen, mag de lengte van de luchtslang tussen de oliesmeerbus en het pneumatisch gereedschap niet meer zijn dan 10 feet (3 meter).

Overmatige smering kan startproblemen, laag vermogen of onregelmatige prestaties veroorzaken.

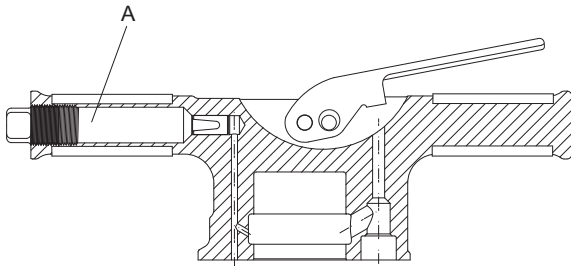
Gebruik een synthetisch smeermiddel, zoals de gereedschappenolie CP Aiolene Plus Tool Oil of minerale olie met de eigenschappen die in onderstaande tabel worden aanbevolen.

Smeermiddel	Temperatuur bereik °F (°C)	Viscositeit
CP Airolene Plus Tool Oil	-4 tot +120 (-20 tot +50)	-
Olie voor luchtgereedschap	-4 tot +60 (-20 tot +15)	100-150 SUS (ISO VG 22-32)
Olie voor luchtgereedschap	+60 tot +120 (+15 tot +50)	225-350 SUS (ISO VG 46-68)

We adviseren om olie met een roestremmer te gebruiken.

### Smeermiddel, controleren van niveau en bijvullen

- ◆ De olieniveaus moeten dagelijks worden gecontroleerd.
- ◆ Reinigen rondom de olieplug en deze verwijderen.
- ◆ Controleer of de schroefdraden niet beschadigd of versleten zijn.
- ◆ Ieder onderdeel met beschadigde of versleten schroefdraden moet worden vervangen.
- ◆ Vul smeermiddel bij in (A).



- ◆ Haal de plug stevig aan en veeg eventueel overtollige olie weg.

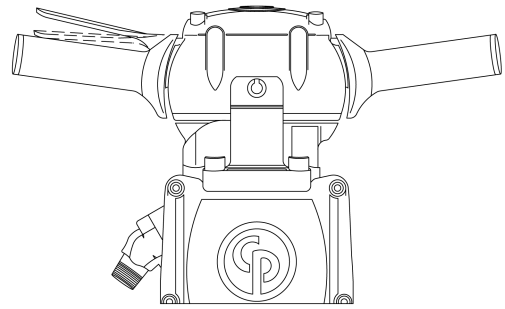
## Bediening

### ▲ WAARSCHUWING Onbedoeld starten

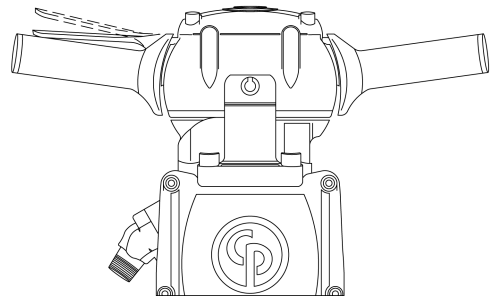
Als de machine per abuis wordt gestart, kan dit letsel veroorzaken.

- ▶ Houd uw handen weg van de start- en stopvoorziening totdat u gereed bent om de machine te starten.
- ▶ Leer hoe u de machine in noodgevallen uitschakelt.
- ▶ Zet de machine altijd onmiddellijk uit als de voeding uitvalt.

## Starten en stoppen



Start de pneumatische spijkermachine door de start- en stopinrichting in te drukken.



Stop de pneumatische spijkermachine door de start- en stopinrichting op te laten komen. De start- en stopinrichting keert automatisch terug naar de stopstand.

## Bediening

- ◆ Zorg ervoor dat de te spijkeren spijkers goed bevestigd zijn.
- ◆ Plaats de spijkermachine bovenop de spijker en breng de spijkermachine in lijn met de spijker.
- ◆ Ga in een stabiele positie staan, met uw voeten uit de buurt van de spijker.
- ◆ Breng een constante druk aan op de spijker en begin te spijkeren.
- ◆ Laat de start- en stopinrichting opkomen als de spijker goed is bevestigd.
- ◆ Laat de machine het werk doen; druk niet te hard.
- ◆ Iedere vorm van stationair draaien of werken met opgeheven machine dient te worden vermeden.
- ◆ Als de machine is opgetild, mag de start- en stopvoorziening niet worden bediend.
- ◆ Controleer regelmatig of de machine goed wordt gesmeerd.

*LET OP* Houd spijkers nooit vast en raak ze niet aan tijdens het machinaal spijkeren.

## Bij een pauze

- ◆ Tijdens pauzes moet u de machine altijd op een plaats leggen waar geen risico bestaat dat hij per abuis wordt gestart. Plaats de machine altijd op de grond zodat hij niet kan vallen.
- ◆ Neem de volgende voorzorgsmaatregelen bij langere pauzes of als u de werkplek verlaat: Zet de voeding af en ontlucht de machine vervolgens door de start- en stopvoorziening te bedienen.

## Onderhoud

Regelmatig onderhoud is een basisvereiste voor een blijvend veilig en doelmatig gebruik van de machine. Volg de onderhoudsaanwijzingen zorgvuldig.

- ◆ Reinig de machine voordat u begint met onderhoud, om blootstelling aan gevaarlijke stoffen te voorkomen. Zie: "Gevoeren van stof en damp"
- ◆ Gebruik alleen originele onderdelen. Schade of defecten die veroorzaakt zijn door het gebruik van niet-originele onderdelen, worden niet gedekt door onze garantie of productaansprakelijkheid.
- ◆ Neem voor het reinigen van mechanische onderdelen met oplosmiddelen de toepasselijke gezondheids- en veiligheidsbepalingen in acht en controleer of er voldoende ventilatie is.
- ◆ Voor grote servicewerkzaamheden aan de machine, neemt u contact op met de dichtstbijzijnde erkende werkplaats.
- ◆ Controleer na servicewerkzaamheden altijd of het trillingsniveau van de machine normaal is. Neem contact op met uw plaatselijke erkende werkplaats als dit niet het geval is.

## Iedere dag

Voordat u begint met onderhoud aan pneumatische machines: schakel altijd de luchttoevoer uit en ontlucht de machine door de start- en stopvoorziening in te drukken. Maak de luchtslang vervolgens los van de machine.

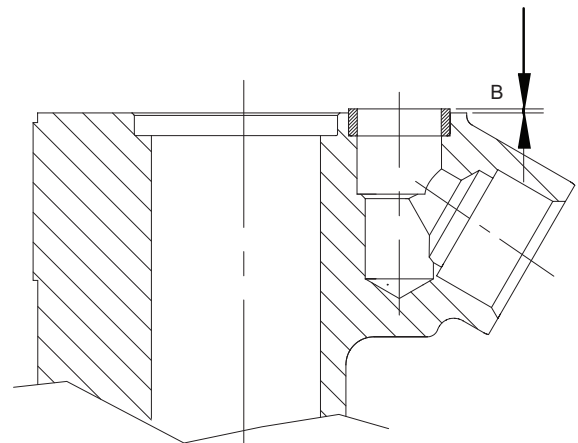
- ◆ Reinig en inspecteer de machine en zijn functies dagelijks voor aanvang van het werk.
- ◆ Verricht een algemene inspectie op lekkage en schade.
- ◆ Controleer of de luchtinlaatnippel is aangehaald en of de klauwkoppeling intact is.
- ◆ Vervang beschadigde onderdelen onmiddellijk.

- ◆ Vervang versleten componenten op tijd.
- ◆ Zorg ervoor dat alle bevestigde en aanverwante voorzieningen, zoals slangen, waterafscheiders en smeerbussen goed worden onderhouden.

## Assemblagevoorschriften

Er moet voldoende voorzichtigheid in acht worden genomen tijdens het monteren en demonteren van het gereedschap om bramen, krassen of vervorming van exact passende precisiebouwonderdelen te voorkomen.

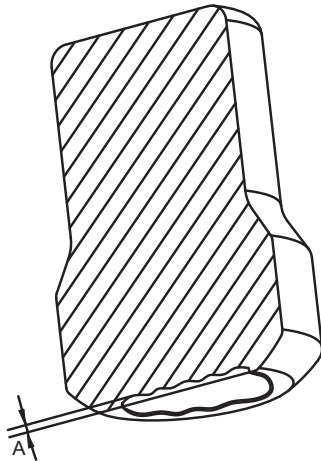
1. Controleer alle metaal op metaaloppervlakken op deuken en bramen voor en tijdens de montage.
2. Voordat ze opnieuw worden gemonteerd, alle O-ringen smeren en alle bewegende onderdelen van het gereedschap bedekken met de aanbevolen smeermiddelen.
3. Let tijdens de montage goed op om vuil uit het gereedschap te houden, vooral tussen aanligvlakken.
4. De voorkopbouten moeten worden aangehaald, zodat de buffers hetzelfde zijn gecompriemd voor de gemonteerde lengte als in het gedeelte "Aanhaalkoppels" is vermeld.
5. Als de eenheid klaar is, giet dan ongeveer ½ oz. (1,5 cl) van de aanbevolen olie in de luchtinlaat en stel de pneumatische spijkermachine met beperkte capaciteit in werking gedurende 10 – 15 seconden. Bij gebruik van de pneumatische spijkermachine op de vloer: doe dit met gereduceerde capaciteit om schade aan de zuiger, het aambeeldblok en de voorkop te vermijden.
6. Controleer voor aanvang van de montage van het achterkopstuk op de cilinder eerst of de afdichting ongeveer (B) 1/16 in (1,6 mm) uitsteekt uit het vlak van de cilinder.



## Periodiek onderhoud

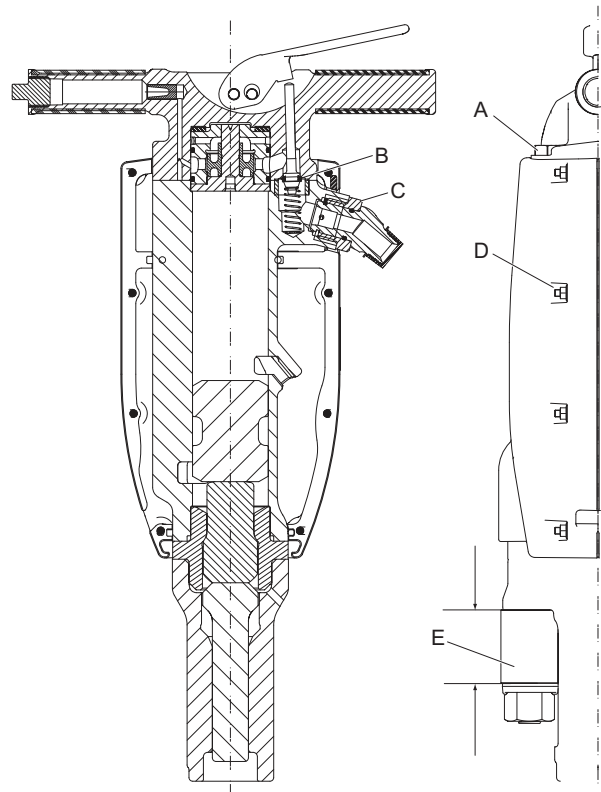
Na iedere gebruikperiode van ongeveer 150 slaguren of twee keer per jaar moet de machine worden ontmanteld en moeten alle onderdelen worden gereinigd en gecontroleerd. Dit werk moet worden uitgevoerd door bevoegd personeel dat is opgeleid voor deze taak.

1. Zorg ervoor dat de aanligvlakken schoon en soepel zijn en dat de bouten zijn aangehaald.
2. De inwendige onderdelen grondig controleren en inspecteren en ervoor zorgen dat deze vrij zijn van roest, gruis en ander vreemde zaken.
3. De kleponderdelen grondig reinigen en inspecteren. Controleer of de kleppen vrij bewegen.
4. Zorg ervoor dat de raakvlakken op het aambeeldblok parallel liggen en vlak zijn. Als het blok is uitgehold, de hoge randen eraf slijpen, maar het gepolijste vlak waar het aambeeld de steelschacht raakt niet aanraken. Maximaal toegestane slijtage (A)  $\frac{1}{32}$  " (1mm). Zie de afbeelding die hieronder wordt getoond.



## Aanhaalkoppels

**LET OP** Wanneer een klauwkoppeling of andere connector op de wartel wordt bevestigd, dient Loctite® 263™ (Loctite is een geregistreerd handelsmerk van de Henkel Corporation. 263 is een handelsmerk van Henkel Corporation) of vergelijkbaar te worden gebruikt.



- A. Aanhaalkoppel: CP 1260 S SPDR en CP 1290 S SPDR, 100 lbf.ft (135 Nm).
- B. De cilinderafdichting moet ongeveer  $\frac{1}{16}$  in (1,6 mm) uitsteken voordat u de achterkop monteert.
- C. Aanhaalkoppel: 150 lbf.ft (200 Nm). Gebruik Loctite® 263™ (Loctite is een geregistreerd handelsmerk van de Henkel Corporation. 263 is een handelsmerk van de Henkel Corporation).
- D. Aanhaalkoppel, demper 6 – 7 lbf.ft (8 – 10 Nm).
- E. Gemonteerde lengte van buffer.

Model	Min.-max.-lengte in (mm)
CP 1260 S SPDR	2.14 -2.19 (54.4–55.6)
CP 1290 S SPDR	2,55 –2,61 (64,8–66,2)

## Oplossen van storingen

Als de pneumatische machine niet start, te weinig vermogen levert of onregelmatig presteert: controleer de volgende punten:

- ◆ Controleer of de pneumatische machine de juiste hoeveelheid smeermiddel krijgt. Te veel smering kan resulteren in startproblemen, een laag vermogen of onregelmatige prestaties.
- ◆ Controleer of het persluchtsysteem de machine van voldoende luchtdruk voorziet om het hoogste vermogen te kunnen leveren.
- ◆ Controleer of de afmeting en de lengte van de luchtslang conform de aanbevelingen zijn. Zie onder "Installatie".
- ◆ Als de kans van bevriezing bestaat: controleer of de uitlaatpoorten van de machine niet geblokkeerd zijn.
- ◆ Als de machine na deze procedure nog steeds niet goed werkt: neem contact op met een erkende werkplaats.

## Opslag

- > Reinig de machine grondig voordat u hem opbergt om blootstelling aan gevaarlijke stoffen te vermijden. Zie: "Gevaren van stof en damp"
- > Giet ongeveer 1/2 oz (5 cl) olie direct in de luchtinlaatnippel, sluit de machine aan op de perslucht en start hem een paar seconden.
- > Sla de machine altijd op een droge plaats op.

## Opruimen

Een verbruikte machine moet dusdanig worden verwerkt en verwijderd dat het grootst mogelijke deel van het materiaal kan worden gerecycled, dat negatieve effecten op het milieu tot een minimum worden beperkt en met inachtneming van plaatselijke restricties.

## Technische gegevens

### Machinegegevens

Type	Maximum kopdiameter in. (mm)	Gewicht lb (kg)	Lengte in. (mm)	Slagfrequentie spm (Hz)	Luchtverbruik cfm (l/s)
CP 1260 S SPDR	1¼ (44)	65 (29,5)	24,7 (625)	1300 (21,5)	73 (34,5)
CP 1290 S SPDR	1¼ (44)	84 (38)	26 (660)	1100 (18,3)	91 (43)

### Geluids- en trillingsverklaring

Gegarandeerd geluidsvermogensniveau **L<sub>w</sub>** conform EN ISO 3744 in overeenstemming met richtlijn 2000/14/EG. Geluidsdruk niveau **L<sub>p</sub>** volgens EN ISO 11203.

Trillingswaarde **A** en onzekerheid **B** bepaald volgens EN ISO 20643. Zie de tabel "Geluids- en trillingsgegevens" voor de waarden van A, B, enz.

Deze verklaarde waarden zijn verkregen d.m.v. een laboratoriumtest overeenkomstig de vermelde richtlijn of normen en ze zijn geschikt voor een vergelijking met de verklaarde waarden van andere gereedschappen die zijn getest overeenkomstig dezelfde richtlijn of normen. Deze verklaarde waarden zijn niet geschikt voor gebruik bij risicobeoordelingen en de waarden die worden opgemeten op individuele werkplekken kunnen hoger zijn. De werkelijke blootstellingswaarden en het risico van letsel zoals ervaren door een individuele gebruiker, zijn uniek en afhankelijk van de manier waarop de gebruiker werkt, in welk materiaal de machine wordt gebruikt, en ook van de blootstellingstijd, de fysieke conditie van de gebruiker en de conditie van de machine.

Wij, Atlas Copco Construction Tools AB, kunnen niet aansprakelijk worden gesteld voor de gevolgen van het gebruik van de verklaarde waarden in plaats van de waarden die de werkelijke blootstelling weerspiegelen, in een individuele risicobeoordeling in een werkplaatssituatie waarover we geen controle hebben.

Dit gereedschap kan een trillingssyndroom in handen en armen veroorzaken als het gebruik ervan niet adequaat wordt geregeld. Een handleiding van de EU voor het beheer van hand-arm-trillingen is beschikbaar op: <http://www.humanvibration.com/humanvibration/EU/VIBGUIDE.html>

Wij bevelen de implementatie van een gezondheidscontroleprogramma aan om in een vroegtijdig stadium symptomen te kunnen ontdekken, die mogelijk gerelateerd zijn aan de blootstelling aan trillingen, zodat de beheersprocedures ter preventie van toekomstige stoornissen kunnen worden aangepast.

### Geluids- en trillingsgegevens

Type	Geluid		Trilling	
	Geluidsdruk	Geluidsvermogen	Waarden drie assen	
	Verklaarde waarden		Verklaarde waarden	
	EN ISO 11203	2000/14/EG	EN ISO 20643	
	<b>L<sub>p</sub></b> r=1m dB(A) rel 20µPa	<b>L<sub>w</sub></b> gegarandeerd dB(A) rel 1pW	<b>A</b> m/s <sup>2</sup> waarde	<b>B</b> m/s <sup>2</sup> reikwijdten
CP 1260 S SPDR	97	110	20,7	2,5
CP 1290 S SPDR	98	111	18,4	2,3

# EG Conformiteitsverklaring

## EG Conformiteitsverklaring (EG-richtlijn 2006/42/EG)

Wij, Atlas Copco Construction Tools AB, verklaren hierbij onder geheel eigen verantwoordelijkheid dat de hieronder vermelde machines in overeenstemming zijn met de eisen van de richtlijnen 2006/42/EG (Machinerichtlijn) en 2000/14/EG (Richtlijn geluidsemissie) en met de hieronder vermelde geharmoniseerde normen.

Handbediende pneumatische spijkermachines	Gegarandeerd geluidsvermogeniveau [dB(A)]	Opgemeten geluidsvermogeniveau [dB(A)]	Pmax (bar)
CP 1260 S SPDR	110	108	6,2
CP 1290 S SPDR	111	109	6,2

**De volgende geharmoniseerde normen werden toegepast:**

- ◆ EN ISO 11148-4

**De volgende andere normen werden toegepast:**

- ◆ Lloyds Register Quality Assurance, NoBo no.0088

**Gemachtigde vertegenwoordiger technische documentatie:**

Per Forsberg  
Atlas Copco Construction Tools AB  
Dragonvägen 2  
Kalmar

**Vice President Design and Development:**

Erik Sigfridsson

**Producent:**

Atlas Copco Construction Tools AB  
391 27 Kalmar  
Sweden

**Plaats en datum:**

Kalmar, 2012-11-30

## ΕΛΛΗΝΙΚΑ

## Περιεχόμενα

Εισαγωγή.....	121
Σχετικά με τις Οδηγίες Ασφάλειας και Χειρισμού.....	121
<b>Οδηγίες ασφαλείας.....</b>	<b>122</b>
Λέξεις σημάτων ασφαλείας.....	122
Προσωπικές προφυλάξεις και πιστοποιήσεις.....	122
Εγκατάσταση, προφυλάξεις.....	122
Χειρισμός, προφυλάξεις.....	123
Συντήρηση, προφυλάξεις.....	127
Φύλαξη, προφυλάξεις.....	127
<b>Επισκόπηση.....</b>	<b>128</b>
Σχεδιασμός και λειτουργία.....	128
Κύρια μέρη.....	128
Ετικέτες.....	128
<b>Εγκατάσταση.....</b>	<b>129</b>
Εύκαμπτοι σωλήνες και συνδέσεις.....	129
Μέθοδοι αποφυγής παγώματος.....	129
Σύνδεση διαχωριστή νερού.....	130
Λίπανση.....	130
<b>Χειρισμός.....</b>	<b>130</b>
Εκκίνηση και διακοπή.....	130
Χειρισμός.....	131
Όταν κάνετε διάλειμμα.....	131
<b>Συντήρηση.....</b>	<b>131</b>
Κάθε ημέρα.....	131
Οδηγίες συναρμολόγησης.....	132
Περιοδική συντήρηση.....	132
Ροπές σύσφιξης.....	133
<b>Αντιμετώπιση προβλημάτων.....</b>	<b>134</b>
<b>Αποθήκευση.....</b>	<b>134</b>
<b>Απόρριψη.....</b>	<b>134</b>
<b>Τεχνικά δεδομένα.....</b>	<b>135</b>
Δεδομένα μηχανήματος.....	135
Δήλωση εκπομπών θορύβου και κραδασμών.....	135
Δεδομένα θορύβου και κραδασμών.....	135
<b>Δήλωση Συμμόρφωσης της ΕΚ.....</b>	<b>136</b>
Δήλωση Συμμόρφωσης της ΕΚ (Οδηγία ΕΚ 2006/42/ΕΚ).....	136



## Εισαγωγή

Ευχαριστούμε που επιλέξατε τα προϊόντα της Chicago Pneumatic. Για πάνω από έναν αιώνα, η Chicago Pneumatic αντιπροσωπεύει απόδοση και καινοτομία στη βιομηχανία των πνευματικών εργαλείων.

Σήμερα, η Chicago Pneumatic είναι μια πολυεθνική εταιρεία η οποία προσφέρει μια ευρεία γκάμα πνευματικών και υδραυλικών εργαλείων, όπως θραυστήρες, γεωτρήματα, ματσακόνια, εκσκαφείς, σπαστήρες, λιθόσφυρες, αντλίες και πολλά άλλα.

Η Chicago Pneumatic είναι συνδεδεμένη με ισχυρά και αξιόπιστα προϊόντα, τα οποία χαρακτηρίζονται από την ευκολία συντήρησης και αντιπροσωπεύουν καλή επένδυση χρημάτων.

Για περαιτέρω πληροφορίες, παρακαλούμε επισκεφθείτε τον ιστότοπο: [www.cp.com](http://www.cp.com)

Atlas Copco Construction Tools AB  
Box 703  
391 27 Kalmar  
Sweden (Σουηδία)

## Σχετικά με τις Οδηγίες Ασφάλειας και Χειρισμού

Σκοπός των οδηγιών είναι να σας προσφέρουν τις γνώσεις που απαιτούνται για το χειρισμό του πνευματικού μηχανήματος οδήγησης βελονών με αποτελεσματικό και ασφαλή τρόπο. Οι οδηγίες παρέχουν επίσης συμβουλές και περιγράφουν τη διαδικασία εκτέλεσης τακτικής συντήρησης στο πνευματικό μηχανήμα οδήγησης βελονών.

Πριν χρησιμοποιήσετε το πνευματικό μηχανήμα οδήγησης βελονών για πρώτη φορά πρέπει να διαβάσετε αυτές τις οδηγίες προσεκτικά και να τις κατανοήσετε πλήρως.

## Οδηγίες ασφαλείας

Προς ελαχιστοποίηση του κινδύνου σοβαρού τραυματισμού ή θανάτου στον εαυτό σας ή άλλους, φροντίστε να διαβάσετε και να κατανοήσετε τις Οδηγίες ασφαλείας και χειρισμού πριν από την εγκατάσταση, λειτουργία, επισκευή, συντήρηση ή αλλαγή παρελκόμενων στο μηχάνημα.

Αναρτήστε αυτό το έντυπο Οδηγιών ασφαλείας και χειρισμού στους χώρους εργασίας, διανείμετε αντίγραφα του στους εργαζόμενους και φροντίστε ώστε να διαβάσουν όλοι αυτές τις Οδηγίες ασφαλείας και χειρισμού πριν από τη χρήση ή τη διενέργεια σέρβις στο μηχάνημα.

Επιπλέον, ο χειριστής ή ο εργοδότης του χειριστή θα πρέπει να προβαίνει σε αξιολόγηση των ειδικών κινδύνων που ενδέχεται να ενέχονται ως αποτέλεσμα της κάθε χρήσης του μηχανήματος.

## Λέξεις σημάτων ασφαλείας

Οι λέξεις σημάτων ασφαλείας «Danger» (Κίνδυνος), «Warning» (Προειδοποίηση) και «Caution» (Προσοχή) έχουν την ακόλουθη σημασία:

<b>ΚΙΝΔΥΝΟΣ</b>	Υποδεικνύει μια επικίνδυνη κατάσταση που εάν δεν αποφευχθεί, θα προκαλέσει σοβαρού βαθμού ή θανατηφόρο τραυματισμό.
<b>ΠΡΟΕΙΔΟΠΟΙΗΣΗ</b>	Υποδεικνύει μια επικίνδυνη κατάσταση που εάν δεν αποφευχθεί, μπορεί να προκαλέσει σοβαρού βαθμού ή θανατηφόρο τραυματισμό.
<b>ΠΡΟΣΟΧΗ</b>	Υποδεικνύει μια επικίνδυνη κατάσταση που εάν δεν αποφευχθεί, μπορεί να προκαλέσει ελαφρού ή μετρίου βαθμού τραυματισμό.

## Προσωπικές προφυλάξεις και πιστοποιήσεις

Ο χειρισμός και η συντήρηση του μηχανήματος πρέπει να διενεργείται μόνον από εξουσιοδοτημένο και εκπαιδευμένο προσωπικό. Πρέπει να διαθέτουν κατάλληλη σωματική ικανότητα προς χειρισμό του όγκου, του βάρους και της ισχύος του εργαλείου. Να χρησιμοποιείτε πάντα κοινή λογική και καλή κρίση.

## Ατομικός προστατευτικός εξοπλισμός

Να χρησιμοποιείτε πάντοτε εγκεκριμένο προστατευτικό εξοπλισμό. Οι χειριστές και όλα τα άλλα άτομα που βρίσκονται στο χώρο εργασίας πρέπει να φορούν προστατευτικό εξοπλισμό που να περιλαμβάνει τουλάχιστον τα εξής:

- > Προστατευτικό κράνος
- > Ωτοασπίδες
- > Προστατευτικά γυαλιά ανθεκτικά στην κρούση με πλευρική προστασία
- > Συσκευή προστασίας της αναπνοής, όταν χρειάζεται
- > Προστατευτικά γάντια
- > Κατάλληλες προστατευτικές μπότες
- > Κατάλληλη φόρμα εργασίας ή παρόμοιο ένδυμα (με σφικτή εφαρμογή στο σώμα) που να καλύπτει τα χέρια και τα πόδια.

## Ναρκωτικά, αλκοόλ, φάρμακα

### ▲ ΠΡΟΕΙΔΟΠΟΙΗΣΗ Ναρκωτικά, αλκοόλ, φάρμακα

Τα ναρκωτικά, το αλκοόλ και τα φάρμακα μπορεί να επηρεάσουν αντίξοα την κρίση σας και την ικανότητα συγκέντρωσης. Κακές αντιδράσεις και λανθασμένες εκτιμήσεις μπορούν να οδηγήσουν σε σοβαρά ατυχήματα ή θάνατο.

- ▶ Μη χρησιμοποιείτε ποτέ το μηχάνημα εάν είστε κουρασμένοι ή υπό την επήρεια ναρκωτικών, αλκοόλ ή φαρμάκων.
- ▶ Δεν επιτρέπεται ο χειρισμός του μηχανήματος από άτομα που βρίσκονται υπό την επήρεια ναρκωτικών, αλκοόλ ή φαρμάκων.

## Εγκατάσταση, προφυλάξεις

### ▲ ΚΙΝΔΥΝΟΣ Ανεξέλεγκτες κινήσεις του εύκαμπτου σωλήνα

Εάν ένας εύκαμπτος σωλήνας πεπιεσμένου αέρα αποσυνδεθεί ενώ βρίσκεται υπό πίεση, είναι δυνατόν να κινηθεί με μεγάλη ταχύτητα και δύναμη και να προκαλέσει σοβαρό τραυματισμό ή θάνατο. Για να ελαχιστοποιήσετε αυτόν τον κίνδυνο:

- ▶ Βεβαιωθείτε ότι ο εύκαμπτος σωλήνας πεπιεσμένου αέρα και οι συνδέσεις δεν έχουν υποστεί ζημία, φροντίστε για την αντικατάστασή τους εάν απαιτείται.
- ▶ Βεβαιωθείτε ότι όλες οι συνδέσεις πεπιεσμένου αέρα είναι κατάλληλα προσαρμοσμένες.
- ▶ Μην μεταφέρετε ποτέ ένα πνευματικό μηχάνημα συγκρατώντας το από τον εύκαμπτο σωλήνα αέρα.

- ▶ Μην επιχειρήσετε ποτέ να αποσυνδέσετε έναν εύκαμπτο σωλήνα πετρελαιμένου αέρα όταν βρίσκεται υπό πίεση. Πρώτα διακόψτε την παροχή πετρελαιμένου αέρα στο συμπιεστή και στη συνέχεια εξαερώστε το μηχάνημα ενεργοποιώντας τη διάταξη εκκίνησης/διακοπής της λειτουργίας.
- ▶ Μην χρησιμοποιείτε ζεύξεις ταχείας αποσύνδεσης στην εισαγωγή του εργαλείου. Να χρησιμοποιείτε εξαρτήματα με σπείρωμα στερέωσης εύκαμπτου σωλήνα από σκληρυμένο χάλυβα (ή υλικό με συγκρίσιμη αντοχή στις κρούσεις).
- ▶ Όταν χρησιμοποιείτε ζεύξεις συστροφής (ζεύξεις με σιαγόνες), συνιστάται η τοποθέτηση πείρων ασφάλισης και η χρήση καλωδίων ασφαλείας για τον έλεγχο ανεξέλεγκτων κινήσεων ώστε να παρέχεται προστασία σε περίπτωση αστοχίας των συνδέσεων μεταξύ εύκαμπτου σωλήνα και εργαλείου όπως και μεταξύ τμημάτων εύκαμπτου σωλήνα.
- ▶ Μην στρέφετε ποτέ έναν εύκαμπτο σωλήνα πετρελαιμένου αέρα προς το σώμα σας ή προς την κατεύθυνση άλλου ατόμου. Για να αποφύγετε τον κίνδυνο τραυματισμού, μην χρησιμοποιείτε ποτέ πετρελαιμένο αέρα για να απομακρύνετε ακαθαρσίες, σκόνη κ.λ.π. από τα ρούχα σας.

## Χειρισμός, προφυλάξεις

### ▲ ΚΙΝΔΥΝΟΣ Κίνδυνος έκρηξης

Εάν η βελόνη έλθει σε επαφή με εκρηκτικά υλικά ή εκρηκτικά αέρια, ενδέχεται να προκληθεί έκρηξη. Όταν εργάζεστε με συγκεκριμένα υλικά και χρησιμοποιείτε εξαρτήματα μηχανήματος κατασκευασμένα από ορισμένα υλικά, ενδέχεται να προκληθούν σπινθήρες και ανάφλεξη. Οι εκρήξεις καταλήγουν σε σοβαρό τραυματισμό ή θάνατο.

- ▶ Μην χειρίζεστε ποτέ το μηχάνημα σε εκρήξιμο περιβάλλον.
- ▶ Μην χρησιμοποιείτε ποτέ το μηχάνημα κοντά σε εύφλεκτα υλικά, αναθυμιάσεις ή σκόνη.
- ▶ Να βεβαιώνετε ότι δεν υπάρχουν αέρια ή εκρηκτικά άγνωστης προέλευσης.

### ▲ ΠΡΟΕΙΔΟΠΟΙΗΣΗ Μη αναμενόμενες κινήσεις

Κατά τη χρήση, το πνευματικό μηχάνημα οδήγησης βελονών υποβάλλεται σε δυνάμεις. Οι δυνάμεις ενδέχεται να προκαλέσουν ξαφνικές και μη αναμενόμενες κινήσεις που είναι δυνατόν να προκαλέσουν τραυματισμό. Επιπλέον, ενδέχεται να τραυματιστείτε εάν χάσετε την ισορροπία σας ή γλιστρήσετε.

- ▶ Να φροντίζετε ώστε η θέση σας να είναι πάντα σταθερή, έχοντας τα πόδια σας σε απόσταση ίση με το πλάτος των ώμων σας και διατηρώντας το βάρος του σώματός σας σε ισορροπία.
- ▶ Να επιθεωρείτε πάντα τον εξοπλισμό πριν από τη χρήση. Μην χρησιμοποιείτε ποτέ τον εξοπλισμό, εάν υποψιάζεστε ότι έχει υποστεί ζημία.
- ▶ Να φροντίζετε ώστε οι λαβές να είναι καθαρές και να μην φέρουν ίχνη γράσου ή λαδιού.
- ▶ Να κρατάτε τα χέρια και τα πόδια σας μακριά από τη βελόνη.
- ▶ Να στέκεστε σταθερά και να κρατάτε πάντα το μηχάνημα και με τα δύο χέρια.
- ▶ Μην θέτετε ποτέ το μηχάνημα σε λειτουργία, όταν κείται στο έδαφος.
- ▶ Μην «καβαλικεύετε» ποτέ το μηχάνημα με το ένα πόδι πάνω από τη λαβή.
- ▶ Μην κτυπάτε ποτέ και μην κακομεταχειρίζεστε τον εξοπλισμό.
- ▶ Να είστε συγκεντρωμένοι και να προσέχετε αυτό που κάνετε.

**▲ ΠΡΟΕΙΔΟΠΟΙΗΣΗ Κίνδυνος λόγω σκόνης και αναθυμιάσεων**

Τα είδη σκόνης ή/και αναθυμιάσεων τα οποία εκλύονται ή διαχέονται κατά τη χρήση του μηχανήματος ενδέχεται να προκαλέσουν σοβαρές και μόνιμες βλάβες και παθήσεις του αναπνευστικού ή άλλες σωματικές βλάβες (π.χ. πυριτίωση ή άλλη μη αναστρέψιμη πάθηση των πνευμόνων η οποία είναι δυνατόν να είναι θανατηφόρα, καρκίνο, συγγενείς ανωμαλίες ή/και ερεθισμό του δέρματος).

Ορισμένα είδη σκόνης ή αναθυμιάσεων τα οποία εκλύονται κατά τη διάτρηση, θραύση, σφυρηλάτηση, πριόνισμα και άλλες κατασκευαστικές δραστηριότητες περιέχουν χημικές ουσίες οι οποίες είναι γνωστό, στην πολιτεία της Καλιφόρνια και άλλες αρχές, ότι προκαλούν αναπνευστικές παθήσεις, καρκίνο, συγγενείς ανωμαλίες ή άλλες βλάβες του αναπαραγωγικού συστήματος. Ορισμένα παραδείγματα τέτοιων χημικών ουσιών είναι τα εξής:

- > Κρυσταλλικό πυρίτιο, τσιμέντο και άλλα οικοδομικά υλικά.
- > Αρσενικό και χρώμιο από χημικά επεξεργασμένο ελαστικό.
- > Μόλυβδος από χρώματα που έχουν ως βάση το μόλυβδο.

Η σκόνη και οι αναθυμιάσεις στην ατμόσφαιρα είναι δυνατόν να μην διακρίνονται με γυμνό οφθαλμό, επομένως μην βασίζεστε στην όραση για τον προσδιορισμό εάν υπάρχει σκόνη ή αναθυμιάσεις στην ατμόσφαιρα.

Προς ελαχιστοποίηση του κινδύνου έκθεσης σε σκόνη και αναθυμιάσεις, φροντίστε για όλα τα εξής:

- ▶ Διενέργεια αξιολόγησης των κινδύνων για τη συγκεκριμένη περιοχή. Η αξιολόγηση των κινδύνων θα πρέπει να περιλαμβάνει τη σκόνη και τις αναθυμιάσεις που εκλύονται λόγω χρήσης του μηχανήματος όπως και το ενδεχόμενο διαταραχής της υπάρχουσας σκόνης.
- ▶ Χρήση κατάλληλου μηχανολογικού εξοπλισμού, προς ελαχιστοποίηση της ποσότητας σκόνης και αναθυμιάσεων η οποία εκλύεται στην ατμόσφαιρα όπως και ελαχιστοποίηση της συσσώρευσης πάνω σε εξοπλισμό, επιφάνειες, ρουχισμό και διάφορα μέρη του σώματος. Στα παραδείγματα εξοπλισμού αυτού του είδους περιλαμβάνονται τα εξής: Συστήματα απαγωγής, αερισμού και συλλογής σκόνης, ψεκαστήρες νερού και διάτρηση με χρήση υγρού. Να ελέγχετε την έκλυση σκόνης και αναθυμιάσεων στην πηγή, κατά το δυνατόν. Να φροντίζετε ώστε ο εξοπλισμός να εγκαθίσταται κατάλληλα και να συντηρείται σωστά.

- ▶ Να φοράτε, να συντηρείτε και να χρησιμοποιείτε κατάλληλα αναπνευστική προστασία, όπως συνιστάται από τον εργοδότη σας και απαιτείται από τους κανονισμούς περί υγείας και ασφάλειας στους επαγγελματικούς χώρους. Η αναπνευστική προστασία απαιτείται να είναι αποτελεσματική ανάλογα με τον τύπο της χημικής ουσίας που σας αφορά (και να είναι εγκεκριμένη από την αρμόδια κρατική αρχή, εάν απαιτείται).
- ▶ Να εργάζεστε σε καλώς αεριζόμενο χώρο.
- ▶ Εάν το μηχάνημα διαθέτει εξαγωγή, κατευθύνετε την εξαγωγή κατάλληλα, ώστε να αποτρέπεται η διαταραχή της σκόνης σε περιβάλλον το οποίο περιέχει σκόνη.
- ▶ Να χειρίζεστε και να συντηρείτε το μηχάνημα, όπως συνιστάται στις οδηγίες ασφάλειας και χειρισμού.
- ▶ Να επιλέγετε, να συντηρείτε και να αντικαθιστάτε τα αναλώσιμα/ εργαλεία εισαγωγής/ άλλα παρελκόμενα, όπως συνιστάται στις οδηγίες ασφάλειας και χειρισμού. Η εσφαλμένη επιλογή ή έλλειψη συντήρησης των αναλώσιμων/ εργαλείων εισαγωγής/ άλλων παρελκόμενων ενδέχεται να προκαλέσει άσκοπη αύξηση της σκόνης ή των αναθυμιάσεων.
- ▶ Στο χώρο εργασίας, να φοράτε προστατευτικά ρούχα που πλένονται ή είναι μίας χρήσης. Να κάνετε ντους και να φοράτε καθαρά ρούχα πριν φύγετε από το χώρο εργασίας για να ελαχιστοποιείτε τη δική σας έκθεση στη σκόνη και στις αναθυμιάσεις ή την έκθεση άλλων ατόμων, αυτοκινήτων, σπιτιών και άλλων χώρων.
- ▶ Να αποφεύγετε τη λήψη τροφής, ποτών και τη χρήση προϊόντων καπνιστού σε χώρους όπου υπάρχει σκόνη ή αναθυμιάσεις.
- ▶ Να πλένετε τα χέρια και το πρόσωπό σας σχολαστικά αμέσως μόλις φύγετε από το χώρο έκθεσης, εάν αυτό είναι δυνατόν, και πάντα πριν από τη λήψη τροφής ή ποτών, τη χρήση προϊόντων καπνιστού ή πριν από την επαφή με άλλα άτομα.
- ▶ Να συμμορφώνεστε με τους ισχύοντες νόμους και κανονισμούς, όπως και τους κανονισμούς περί υγείας και ασφάλειας στους επαγγελματικούς χώρους.
- ▶ Να συμμετέχετε στην παρακολούθηση της ατμόσφαιρας, στα προγράμματα ιατρικών εξετάσεων, όπως και στα προγράμματα εκπαίδευσης σε θέματα υγείας και ασφάλειας που παρέχονται από τον εργοδότη σας ή οργανισμούς του κλάδου και σύμφωνα με τους κανονισμούς και τις συστάσεις περί υγείας και ασφάλειας στους επαγγελματικούς χώρους. Ζητήστε τη συμβουλή ιατρών με εμπειρία στο σχετικό πεδίο επαγγελματικής ιατρικής.

- ▶ Συνεργαστείτε με τον εργοδότη και τον επαγγελματικό σας οργανισμό προς μείωση της έκθεσης στη σκόνη και στις αναθυμιάσεις του χώρου εργασίας και προς μείωση των κινδύνων. Απαιτείται η θέσπιση και η εφαρμογή αποτελεσματικών προγραμμάτων, πολιτικών και διαδικασιών υγείας και ασφάλειας με σκοπό την προστασία των εργαζομένων και των τρίτων από την επικίνδυνη έκθεση σε σκόνη και αναθυμιάσεις, βάσει των οδηγιών των ειδικών σε θέματα υγείας και ασφάλειας. Ζητήστε τη συμβουλή ειδικών.
- ▶ Τυχόν εναποθέσεις επικίνδυνων ουσιών πάνω στο μηχάνημα ενδέχεται να αποτελούν κίνδυνο. Πριν από την εκτέλεση εργασιών συντήρησης στο μηχάνημα, φροντίστε για το σχολαστικό καθαρισμό του.

#### ▲ ΠΡΟΕΙΔΟΠΟΙΗΣΗ Εκτίναξη αντικειμένων

Τυχόν αστοχία του τεμαχίου εργασίας, των παρελκόμενων ή ακόμη και του ίδιου του εργαλείου ενδέχεται να προκαλέσει εκτίναξη αντικειμένων με μεγάλη ταχύτητα. Κατά τη χρήση, θραύσματα ή άλλα σωματίδια από το υλικό με το οποίο εργάζεστε ενδέχεται να εκτιναχθούν με μεγάλη ταχύτητα και να προκαλέσουν τραυματισμό πλήττοντας το χειριστή ή τρίτους. Για να ελαχιστοποιήσετε αυτούς τους κινδύνους:

- ▶ Να χρησιμοποιείτε εγκεκριμένο εξοπλισμό ατομικής προστασίας και κράνος ασφαλείας, όπως και ανθεκτικά σε κρούσεις γυαλιά ασφαλείας με πλευρική προστασία.
- ▶ Να φροντίζετε ώστε κανείς άλλος, εκτός από το εξουσιοδοτημένο προσωπικό, να μην εισέρχεται στην περιοχή εργασίας.
- ▶ Να διατηρείτε το χώρο εργασίας ελεύθερο από αντικείμενα που δεν σχετίζονται με την εργασία σας.
- ▶ Να φροντίζετε ώστε η βελόνη να είναι σταθερά στερεωμένη.

#### ▲ ΠΡΟΕΙΔΟΠΟΙΗΣΗ Κίνδυνος οδήγησης βελόνης

Σε περίπτωση που δεν φροντίσετε ώστε η βελόνη να είναι σταθερά στερεωμένη στο τεμάχιο εργασίας πριν από τη χρήση του μηχανήματος, υπάρχει κίνδυνος τραυματισμού.

- ▶ Να φροντίζετε πάντα ώστε η βελόνη να είναι σταθερά στερεωμένη πριν από τη χρήση του μηχανήματος.
- ▶ Μην κρατάτε και μην αγγίζετε ποτέ τη βελόνη κατά την οδήγηση.

#### ▲ ΠΡΟΕΙΔΟΠΟΙΗΣΗ Κίνδυνοι λόγω ολίσθησης, παραπατήματος και πτώσης

Υπάρχει κίνδυνος ολίσθησης ή παραπατήματος και πτώσης, π.χ. παραπατήματος πάνω στους εύκαμπτους σωλήνες ή άλλα αντικείμενα. Η ολίσθηση, το παραπάτημα και η πτώση είναι δυνατόν να προκαλέσουν τραυματισμό. Για να ελαχιστοποιήσετε αυτόν τον κίνδυνο:

- ▶ Να φροντίζετε πάντα ώστε να μην υπάρχει κανένας εύκαμπτος σωλήνας ή άλλο αντικείμενο στο δρόμο σας ή στο δρόμο οποιουδήποτε άλλου ατόμου.
- ▶ Να φροντίζετε πάντα ώστε η θέση σας να είναι πάντα σταθερή, έχοντας τα πόδια σας σε απόσταση ίση με το πλάτος των ώμων σας και διατηρώντας το βάρος του σώματός σας σε ισορροπία.

#### ▲ ΠΡΟΕΙΔΟΠΟΙΗΣΗ Κίνδυνοι λόγω κίνησης

Κατά τη χρήση του μηχανήματος για την εκτέλεση διαφόρων δραστηριοτήτων που σχετίζονται με την εργασία, ενδέχεται να αισθανθείτε δυσφορία σε χέρια, βραχίονες, ώμους, λαιμό ή άλλα σημεία του σώματος.

- ▶ Φροντίστε να υιοθετήσετε μια άνετη στάση ενώ συνεχίζετε να στηρίζετε στα πόδια σας σταθερά και να αποφεύγετε ενοχλητικές στάσεις στις οποίες δεν είναι δυνατόν να διατηρήσετε την ισορροπία σας.
- ▶ Στη διάρκεια παρατεταμένων εργασιών, η αλλαγή στάσης ενδέχεται να διευκολύνει την αντιμετώπιση της δυσφορίας και της κόπωσης.
- ▶ Σε περίπτωση επίμονων ή επανειλημμένων συμπτωμάτων, συμβουλευτείτε ειδικευμένο ιατρό.

**▲ ΠΡΟΕΙΔΟΠΟΙΗΣΗ Κίνδυνοι από κραδασμούς**

Η κανονική και σωστή χρήση του μηχανήματος εκθέτει το χειριστή σε κραδασμούς. Η τακτική και συχνή έκθεση σε κραδασμούς ενδέχεται να προκαλέσει, να συμβάλει ή να επιδεινώσει τραυματισμούς ή παθήσεις στα δάκτυλα, στα χέρια, στους καρπούς, στους βραχίονες, στους ώμους ή/και στα νεύρα και στην αιμάτωση ή σε άλλα μέρη του σώματος του χειριστή και επίσης να προκαλέσει εξασθένηση ή/και μόνιμες βλάβες ή παθήσεις οι οποίες ενδέχεται να εξελιχθούν σταδιακά σε διάστημα εβδομάδων, μηνών ή ετών. Οι τραυματισμοί ή οι παθήσεις αυτού του είδους ενδέχεται να περιλαμβάνουν βλάβη στο σύστημα κυκλοφορίας του αίματος, βλάβη στο νευρικό σύστημα, βλάβη στις αρθρώσεις και ενδεχομένως βλάβη σε άλλες δομές του σώματος.

Εάν αισθανθείτε μούδιασμα, επίμονη και επαναλαμβανόμενη δυσφορία, αίσθηση καψίματος, δυσκαμψία, έντονες σφύξεις, μυρμήγκιασμα, πόνο, αδεξιότητα, αδυναμία συγκράτησης στα χέρια, παρατηρήσετε λεύκανση του δέρματος ή άλλα συμπτώματα οποιαδήποτε στιγμή, κατά το χειρισμό ή μη του μηχανήματος, διακόψτε τη χρήση του μηχανήματος, ενημερώστε τον εργοδότη σας και αναζητήστε ιατρική συμβουλή. Εάν συνεχίσετε να χρησιμοποιείτε το μηχάνημα μετά την εμφάνιση οποιουδήποτε από αυτά τα συμπτώματα, ενδέχεται να αυξηθεί ο κίνδυνος να γίνουν τα συμπτώματα πιο σοβαρά ή/και μόνιμα.

Να χειρίζεστε και να συντηρείτε το μηχάνημα όπως συνιστάται στις παρούσες οδηγίες, ώστε να αποτραπεί η άσκοπη αύξηση των κραδασμών.

Οι συμβουλές που ακολουθούν ενδέχεται να διευκολύνουν στη μείωση της έκθεσης του χειριστή σε κραδασμούς:

- ▶ Να αφήνετε το εργαλείο να κάνει τη δουλειά. Η λαβή σας πρέπει να είναι η ελάχιστη που απαιτείται για το σωστό έλεγχο και την ασφαλή λειτουργία του μηχανήματος.
- ▶ Εάν το μηχάνημα διαθέτει λαβές απορρόφησης κραδασμών, κρατήστε τις σε κεντρική θέση, αποφεύγοντας να πιέζετε τις λαβές στα άκρα.
- ▶ Όταν ο κρουστικός μηχανισμός είναι ενεργοποιημένος, το μοναδικό σημείο που θα πρέπει το σώμα σας να έρχεται σε επαφή με το μηχάνημα είναι τα χέρια σας πάνω στη λαβή ή στις λαβές. Να αποφεύγετε οποιαδήποτε άλλη επαφή, π.χ. να στηρίζετε οποιοδήποτε μέρος του σώματός σας πάνω στο μηχάνημα ή να σκύβετε πάνω από το μηχάνημα προσπαθώντας να αυξήσετε την ασκούμενη δύναμη. Είναι επίσης σημαντικό να μην κρατάτε τη διάταξη εκκίνησης/διακοπής της λειτουργίας πατημένη καθώς αποσπάτε το εργαλείο από την επιφάνεια εργασίας.

- ▶ Να φροντίζετε ώστε το εργαλείο που έχει εισαχθεί να είναι καλά συντηρημένο (και αρκετά αιχμηρό, εάν πρόκειται για κοπτικό εργαλείο), να μην είναι φθαρμένο και να έχει το κατάλληλο μέγεθος. Τα εργαλεία εισαγωγής τα οποία δεν είναι καλά συντηρημένα, είναι φθαρμένα ή δεν έχουν το κατάλληλο μέγεθος χρειάζονται περισσότερο χρόνο για να ολοκληρώσουν την εργασία (και επομένως αυξάνουν τη διάρκεια έκθεσης του χειριστή σε κραδασμούς) και ενδέχεται να προκαλέσουν ή να συμβάλλουν στην έκθεση σε κραδασμούς μεγαλύτερου βαθμού.
- ▶ Διακόψτε αμέσως την εργασία, εάν το μηχάνημα αρχίσει ξαφνικά να παρουσιάζει ισχυρούς κραδασμούς. Πριν συνεχίσετε την εργασία, εντοπίστε και εξαλείψτε την αιτία των αυξημένων κραδασμών.
- ▶ Μην πιάνετε, κρατάτε ή αγγίζετε ποτέ το εργαλείο εισαγωγής όταν χρησιμοποιείτε το μηχάνημα.
- ▶ Να συμμετέχετε στην παρακολούθηση ή τον έλεγχο υγείας, στις ιατρικές εξετάσεις και στα προγράμματα εκπαίδευσης που προσφέρονται από τον εργοδότη σας ή επιβάλλονται από τη νομοθεσία.
- ▶ Όταν εργάζεστε σε συνθήκες ψύχους, να φοράτε ζεστά ρούχα και να διατηρείτε τα χέρια σας ζεστά και στεγνά.
- ▶ Ο αέρας εξαγωγής είναι εξαιρετικά ψυχρός και δεν θα πρέπει να έρχεται σε επαφή με το χειριστή. Να κατευθύνετε πάντα τον αέρα εξαγωγής μακριά από τα χέρια και το σώμα.

Ανατρέξτε στην ενότητα «Δήλωση εκπομπών θορύβου και κραδασμών» για το μηχάνημα, όπως και τις δηλωμένες τιμές κραδασμών. Αυτές οι πληροφορίες βρίσκονται στο τέλος της ενότητας Οδηγίες ασφάλειας και χειρισμού.

- ◆ Να χρησιμοποιείτε τη συνιστώμενη πίεση αέρα όταν χρησιμοποιείτε το μηχάνημα. Υψηλότερη ή χαμηλότερη πίεση αέρα ενδέχεται να προκαλέσει υψηλότερη στάθμη κραδασμών.

**▲ ΚΙΝΔΥΝΟΣ Κίνδυνος από το ηλεκτρικό ρεύμα**

Το μηχάνημα δεν είναι ηλεκτρικά μονωμένο. Εάν το μηχάνημα έλθει σε επαφή με ηλεκτρικό ρεύμα, ενδέχεται να προκληθεί σοβαρού βαθμού ή θανατηφόρος τραυματισμός.

- ▶ Μη χρησιμοποιείτε ποτέ το μηχάνημα κοντά σε ηλεκτρικά καλώδια ή άλλη πηγή ηλεκτρισμού.
- ▶ Βεβαιωθείτε ότι δεν υπάρχουν κρυμμένα καλώδια ή άλλες πηγές ηλεκτρισμού στην περιοχή εργασίας σας.

**▲ ΠΡΟΕΙΔΟΠΟΙΗΣΗ Κίνδυνος από κρυμμένα αντικείμενα**

Κατά το χειρισμό, τα κρυμμένα καλώδια και οι σωλήνες αποτελούν κίνδυνο σοβαρού τραυματισμού.

- ▶ Πριν χρησιμοποιήσετε το μηχάνημα, ελέγξτε την υφή του υλικού.
- ▶ Έχετε το νου σας για κρυμμένα καλώδια και σωληνώσεις π.χ. γραμμές ηλεκτρικού ρεύματος, τηλεφώνου, νερού, φυσικού αερίου και αποχέτευσης, κ.λ.π.
- ▶ Εάν η βελόνη φαίνεται να έχει χτυπήσει σε κρυμμένο αντικείμενο, απενεργοποιήστε το μηχάνημα αμέσως.
- ▶ Βεβαιωθείτε ότι δεν υπάρχει κίνδυνος πριν συνεχίσετε.

**▲ ΠΡΟΕΙΔΟΠΟΙΗΣΗ Ακούσια εκκίνηση**

Η ακούσια εκκίνηση του μηχανήματος ενδέχεται να προκαλέσει τραυματισμό.

- ▶ Να κρατάτε τα χέρια σας μακριά από τη διάταξη εκκίνησης/διακοπής της λειτουργίας έως ότου είστε έτοιμοι να εκκινήσετε το μηχάνημα.
- ▶ Μάθετε πώς μπορείτε να απενεργοποιήσετε το μηχάνημα σε περίπτωση έκτακτης ανάγκης.
- ▶ Να ελευθερώνετε αμέσως τη διάταξη εκκίνησης/διακοπής της λειτουργίας σε όλες τις περιπτώσεις διακοπής της παροχής ισχύος.
- ▶ Πριν από την εκτέλεση οποιασδήποτε εργασίας συντήρησης, εγκατάστασης, επιθεώρησης ή καθαρισμού, διακόψτε την παροχή αέρα, εξαερώστε το μηχάνημα ενεργοποιώντας τη διάταξη εκκίνησης/διακοπής της λειτουργίας και αποσυνδέστε το μηχάνημα από την παροχή ισχύος.

**▲ ΠΡΟΕΙΔΟΠΟΙΗΣΗ Κίνδυνος από θορύβους**

Τα υψηλά επίπεδα θορύβου είναι δυνατόν να προκαλέσουν μόνιμη απώλεια ακοής και άλλα προβλήματα όπως tinnitus (κουδούνισμα, βόμβο, σφύριγμα ή βούισμα στα αυτιά). Προς ελαχιστοποίηση του κινδύνου και πρόληψη της μη απαραίτητης αύξησης των επιπέδων θορύβου:

- ▶ Η αξιολόγηση κινδύνου σε αυτές τις περιπτώσεις και η εφαρμογή κατάλληλων μηχανισμών ελέγχου είναι ουσιώδης.
- ▶ Χειρισμός και συντήρηση του μηχανήματος, όπως συνιστάται στις παρούσες οδηγίες.
- ▶ Εάν το μηχάνημα διαθέτει σιγαστήρα, βεβαιωθείτε ότι βρίσκεται στη θέση του και είναι σε καλή κατάσταση.
- ▶ Χρήση προστατευτικών ακοής, πάντα.

**Συντήρηση, προφυλάξεις****▲ ΠΡΟΕΙΔΟΠΟΙΗΣΗ Τροποποίηση μηχανήματος**

Οποιαδήποτε τροποποίηση του μηχανήματος ενδέχεται να προκαλέσει τραυματισμό στο άτομό σας ή σε τρίτους.

- ▶ Μην τροποποιήσετε ποτέ το μηχάνημα. Τα τροποποιημένα μηχανήματα δεν καλύπτονται από εγγύηση ή ευθύνη για το προϊόν.
- ▶ Να χρησιμοποιείτε πάντα γνήσια εξαρτήματα και παρελκόμενα.
- ▶ Να αντικαθιστάτε αμέσως τα εξαρτήματα που έχουν υποστεί ζημία.
- ▶ Να αντικαθιστάτε εγκαίρως τα εξαρτήματα που έχουν υποστεί φθορά.

**Φύλαξη, προφυλάξεις**

- ◆ Να φυλάσσετε το μηχάνημα και τα εργαλεία σε ασφαλή χώρο, κλειδωμένο και απρόσιτο στα παιδιά.

## Επισκόπηση

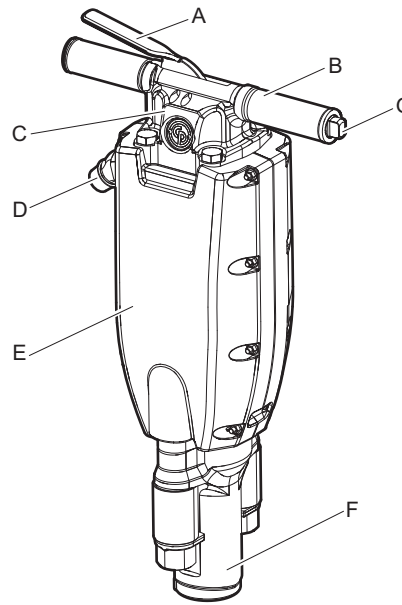
Για να μειώσετε τον κίνδυνο πρόκλησης σοβαρού ή θανατηφόρου τραυματισμού στον εαυτό σας ή σε άλλους, διαβάστε την ενότητα «Οδηγίες ασφάλειας» (βρίσκεται στις προηγούμενες σελίδες του παρόντος εγχειριδίου) πριν χρησιμοποιήσετε το μηχάνημα.

## Σχεδιασμός και λειτουργία

Τα CP 1260 S SPDR και CP 1290 S SPDR έχουν σχεδιαστεί για την οδήγηση βελονών σε εφαρμογές σιδηροδρόμων, κατασκευών, συντήρησης εγκαταστάσεων και εγκαταστάσεις τεντών.

Διαθέτουν ανοικτή εμπρόσθια κεφαλή, η οποία δέχεται μια γκάμα αντικειμένων προς οδήγηση. Η μέγιστη διάμετρος της κεφαλής των αντικειμένων είναι 1¾ in. (44 mm). Τα πνευματικά μηχανήματα οδήγησης βελονών έχουν σχεδιαστεί για κατακόρυφη χρήση μόνο. Δεν επιτρέπεται καμία άλλη χρήση.

## Κύρια μέρη



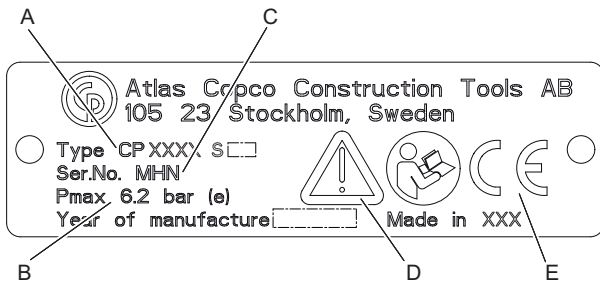
- A. Διάταξη εκκίνησης/διακοπής της λειτουργίας
- B. Λαβή
- C. Οπίσθιο τμήμα κεφαλής
- D. Εισαγωγή αέρα
- E. Σιγαστήρας
- F. Εμπρόσθιο τμήμα κεφαλής
- G. Λιπαντήρας

## Ετικέτες

Στο μηχάνημα υπάρχουν ετικέτες που περιέχουν σημαντικές πληροφορίες σχετικά με την προσωπική ασφάλεια και τη συντήρηση του μηχανήματος. Οι ετικέτες απαιτείται να βρίσκονται σε καλή κατάσταση, ώστε να διευκολύνεται η ανάγνωσή τους. Μπορείτε να παραγγείλετε ετικέτες από τον κατάλογο ανταλλακτικών εξαρτημάτων.

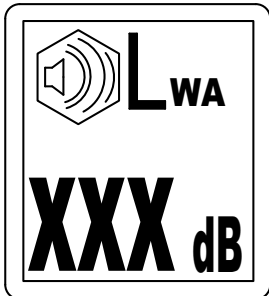


## Πανακίδα δεδομένων



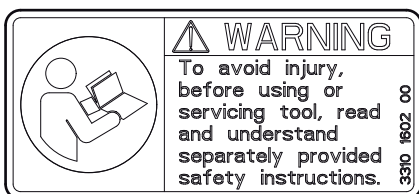
- A. Τύπος μηχανήματος
- B. Μέγιστη επιτρεπόμενη πίεση πεπιεσμένου αέρα
- C. Αριθμός σειράς
- D. Το προειδοποιητικό σύμβολο μαζί με το σύμβολο του βιβλίου σημαίνουν ότι ο χειριστής απαιτείται να διαβάσει τις Οδηγίες ασφαλείας και χειρισμού πριν χρησιμοποιήσει το μηχάνημα για πρώτη φορά.
- E. Το σύμβολο CE σημαίνει ότι το μηχάνημα είναι εγκεκριμένο από την ΕΚ. Για περαιτέρω πληροφορίες, ανατρέξτε στη δήλωση ΕΚ η οποία συνοδεύει το μηχάνημα. Εάν το σύμβολο CE δεν υπάρχει, αυτό σημαίνει ότι το μηχάνημα δεν είναι εγκεκριμένο από την ΕΚ.

## Ετικέτα στάθμης θορύβου



Η ετικέτα υποδεικνύει την εγγυημένη στάθμη θορύβου σύμφωνα με την κατευθυντήρια οδηγία της Ευρωπαϊκής Κοινότητας 2000/14/ΕΚ. Για την ακριβή στάθμη θορύβου, ανατρέξτε στην ενότητα «Τεχνικά στοιχεία».

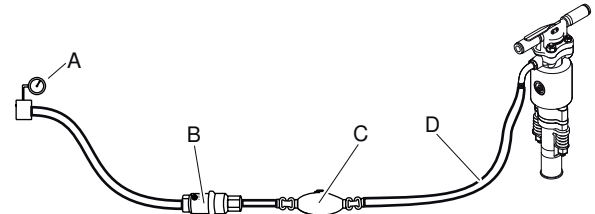
## Ετικέτα ασφαλείας



Προς αποφυγή τραυματισμού, πριν από τη χρήση ή τη διενέργεια σέρβις στο εργαλείο, φροντίστε να διαβάσετε και να κατανοήσετε τις χωριστά παρεχόμενες οδηγίες ασφαλείας.

## Εγκατάσταση

## Εύκαμπτοι σωλήνες και συνδέσεις



- A. Παροχή πεπιεσμένου αέρα
- B. Διαχωριστής νερού (προαιρετικό)
- C. Λιπαντήρας (προαιρετικό)
- D. Έως 10 feet (3 μέτρα) εύκαμπτου σωλήνα πεπιεσμένου αέρα μεταξύ λιπαντήρα και μηχανήματος.
- ♦ Βεβαιωθείτε ότι χρησιμοποιείτε την κατάλληλη συνιστώμενη πίεση λειτουργίας, 87 psig (6 bar (e)).
  - ♦ Μην υπερβαίνετε τη μέγιστη επιτρεπόμενη πίεση αέρα 90 psig (6,2 bar (e)).
  - ♦ Φυσήξτε για να διώξετε τυχόν ακαθαρσίες από τον εύκαμπτο σωλήνα πεπιεσμένου αέρα πριν τον συνδέσετε στο μηχάνημα.
  - ♦ Επιλέξτε τη σωστή διάσταση και το σωστό μήκος για τον εύκαμπτο σωλήνα πεπιεσμένου αέρα. Για μήκη εύκαμπτου σωλήνα έως 100 feet (30 μέτρα), θα πρέπει να χρησιμοποιηθεί εύκαμπτος σωλήνας με ελάχιστη εσωτερική διάμετρο 3/4 in. (19 mm). Εάν το μήκος του εύκαμπτου σωλήνα είναι μεταξύ 100 και 330 feet (30 και 100 μέτρα), θα πρέπει να χρησιμοποιηθεί εύκαμπτος σωλήνας με ελάχιστη εσωτερική διάμετρο 1 in. (25 mm).

## Μέθοδοι αποφυγής παγώματος

Ενδέχεται να σχηματιστεί πάγος στο σιγαστήρα όταν η θερμοκρασία αέρα του περιβάλλοντος είναι 0-10 °C (32-50 °F) και η σχετική υγρασία είναι υψηλή.

Το μηχάνημα είναι σχεδιασμένο να αποτρέπει το σχηματισμό πάγου στο σιγαστήρα. Ωστόσο, σε ακραίες συνθήκες, μπορεί να σχηματιστεί πάγος μέσα στο σιγαστήρα.

Λάβετε τα παρακάτω μέτρα για να αποφύγετε τον κίνδυνο σχηματισμού πάγου:

- ◆ Χρησιμοποιήστε το CP Airolene Plus Tool Oil ως λιπαντικό. Το CP Airolene Plus Tool Oil αποτρέπει το πάγωμα.
- ◆ Χρησιμοποιήστε διαχωριστή νερού.

## Σύνδεση διαχωριστή νερού

Χρησιμοποιήστε έναν ελαστικό σωλήνα με το κατάλληλο μήκος μεταξύ συμπιεστή και διαχωριστή νερού για να διασφαλίσετε ότι οι υδρατμοί ψύχονται και συμπυκνώνονται στον ελαστικό σωλήνα πριν φτάσουν στο διαχωριστή νερού.

Εάν η θερμοκρασία περιβάλλοντος είναι μικρότερη από 32 °F (0 °C), ο ελαστικός σωλήνας πρέπει να έχει αρκετά μικρό μήκος ώστε το νερό να μην παγώνει πριν φτάσει στο διαχωριστή νερού.

## Λίπανση

### Λίπανση

Το λιπαντικό παίζει σημαντικό ρόλο στη λειτουργία του μηχανήματος και επηρεάζει σε μεγάλο βαθμό τη διάρκεια ζωής του. Για να παρέχεται η σωστή ποσότητα λαδιού, απαιτείται η σύνδεση ενός λιπαντήρα στον εύκαμπτο σωλήνα αέρα. Συνιστάται η χρήση λιπαντήρα γραμμής αέρα της Chicago Pneumatic. Για εγγυημένα καλή λίπανση, το μήκος του εύκαμπτου σωλήνα αέρα μεταξύ λιπαντήρα και πνευματικού εργαλείου δεν θα πρέπει να είναι μεγαλύτερο από 10 feet (3 m).

Η υπερβολική λίπανση μπορεί να προκαλέσει προβλήματα στην εκκίνηση, χαμηλή ισχύ ή διακυμάνσεις στην απόδοση.

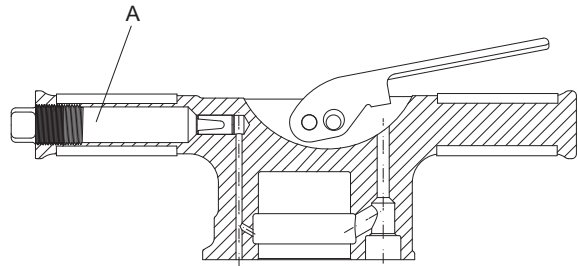
Χρησιμοποιήστε συνθετικό λιπαντικό, όπως το CP Airolene Plus Tool Oil ή ορυκτέλαιο με τις συνιστώμενες ιδιότητες που υποδεικνύονται στον πίνακα κατωτέρω.

Λιπαντικό	Εύρος θερμοκρασίας °F (°C)	Ιξώδες
CP Airolene Plus Tool Oil	-4 έως +120 (-20 έως +50)	-
Λάδι πνευματικών εργαλείων	-4 έως +60 (-20 έως +15)	100-150 SUS (ISO VG 22-32)
Λάδι πνευματικών εργαλείων	+60 έως +120 (+15 έως +50)	225-350 SUS (ISO VG 46-68)

Συνιστάται το λάδι να περιέχει αντισκωριακό παράγοντα.

## Έλεγχος στάθμης λιπαντικού και πλήρωση με λιπαντικό

- ◆ Η στάθμη του λαδιού πρέπει να ελέγχεται καθημερινά.
- ◆ Σκουπίστε την περιοχή γύρω από την τάπα λαδιού και βγάλτε την τάπα.
- ◆ Βεβαιωθείτε ότι τα πάσα δεν έχουν υποστεί ζημιά ούτε φθορά.
- ◆ Οποιοδήποτε εξάρτημα έχει κατεστραμμένα ή φθαρμένα πάσα πρέπει να αντικαθίσταται.
- ◆ Γεμίστε λάδι στο (A).



- ◆ Σφίξτε καλά την τάπα και σκουπίστε τυχόν χυμένο λάδι.

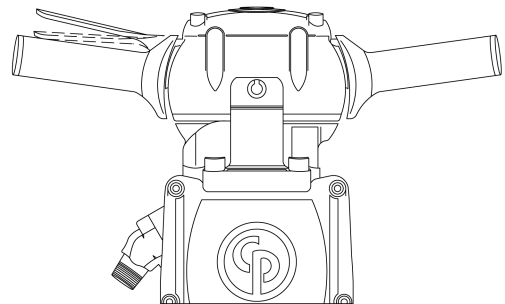
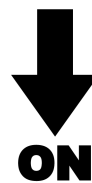
## Χειρισμός

### ▲ ΠΡΟΕΙΔΟΠΟΙΗΣΗ Ακούσια εκκίνηση

Η ακούσια εκκίνηση του μηχανήματος ενδέχεται να προκαλέσει τραυματισμό.

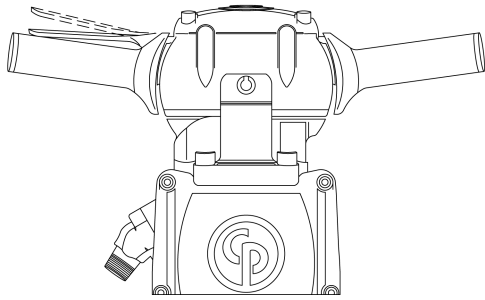
- ▶ Να κρατάτε τα χέρια σας μακριά από τη διάταξη εκκίνησης/διακοπής της λειτουργίας, έως ότου είστε έτοιμοι να θέσετε το μηχάνημα σε λειτουργία.
- ▶ Μάθετε πώς τίθεται το μηχάνημα εκτός λειτουργίας σε περίπτωση έκτακτης ανάγκης.
- ▶ Διακόψτε αμέσως τη λειτουργία του μηχανήματος, σε όλες τις περιπτώσεις διακοπής της παροχής ρεύματος.

## Εκκίνηση και διακοπή



Θέστε το πνευματικό μηχανήμα οδήγησης βελονών σε λειτουργία πιέζοντας τη διάταξη εκκίνησης/διακοπής της λειτουργίας.

**OFF**  
↑



Διακόψτε τη λειτουργία του πνευματικού μηχανήματος οδήγησης βελονών ελευθερώνοντας τη διάταξη εκκίνησης/διακοπής της λειτουργίας. Η διάταξη εκκίνησης/διακοπής της λειτουργίας επιστρέφει αυτόματα στη θέση διακοπής λειτουργίας.

## Χειρισμός

- ♦ Να φροντίζετε ώστε οι βελόνες να τοποθετούνται κατάλληλα πριν από την οδήγηση.
- ♦ Τοποθετήστε το μηχανήμα οδήγησης βελονών πάνω στη βελόνη, στη συνέχεια ευθυγραμμίστε το μηχανήμα οδήγησης βελονών με τη βελόνη.
- ♦ Σταθείτε σε σταθερή θέση με τα πόδια σας σε απόσταση από τη βελόνη.
- ♦ Εφαρμόστε σταθερή πίεση στη βελόνη και ξεκινήστε με τη διαδικασία οδήγησης.
- ♦ Ελευθερώστε τη διάταξη εκκίνησης/διακοπής της λειτουργίας, όταν η βελόνη εδράζεται κατάλληλα.
- ♦ Αφήστε το μηχανήμα να κάνει τη δουλειά. Μην πιέζετε με υπερβολική δύναμη.
- ♦ Οποιαδήποτε μορφή άεργης λειτουργίας ή λειτουργίας με ανυψωμένο μηχανήμα πρέπει να αποφεύγεται.
- ♦ Όταν το μηχανήμα είναι ανυψωμένο, απαγορεύεται η ενεργοποίηση της διάταξης εκκίνησης/διακοπής της λειτουργίας.
- ♦ Να ελέγχετε τακτικά ότι το μηχανήμα λιπαίνεται επαρκώς.

**ΕΙΔΟΠΟΙΗΣΗ** Μην κρατάτε και μην αγγίζετε ποτέ τη βελόνη κατά την οδήγηση.

## Όταν κάνετε διάλειμμα

- ♦ Στη διάρκεια των διαλειμμάτων πρέπει να τοποθετήσετε το μηχανήμα με τέτοιο τρόπο ώστε να μην υπάρχει κίνδυνος ακούσιας εκκίνησης. Βεβαιωθείτε ότι το μηχανήμα στηρίζεται στο έδαφος, ώστε να μην υπάρχει κίνδυνος πτώσης.
- ♦ Σε περίπτωση διαλείμματος μεγάλης διάρκειας ή όταν φεύγετε από το χώρο εργασίας: Διακόψτε την παροχή ρεύματος και στη συνέχεια εξαερώστε το μηχανήμα ενεργοποιώντας τη διάταξη εκκίνησης/διακοπής της λειτουργίας.

## Συντήρηση

Η τακτική συντήρηση είναι βασική προϋπόθεση για τη συνεχή, ασφαλή και αποτελεσματική χρήση του μηχανήματος. Τηρήστε τις οδηγίες συντήρησης με προσοχή.

- ♦ Πριν αρχίσετε με τη συντήρηση του μηχανήματος, καθαρίστε το ώστε να αποφύγετε την έκθεση σε επικίνδυνες χημικές ουσίες. Βλ. ενότητα «Κίνδυνος λόγω σκόνης και αναθυμιάσεων»
- ♦ Να χρησιμοποιείτε μόνον εγκεκριμένα εξαρτήματα. Τυχόν ζημία ή δυσλειτουργία οφειλόμενη στη χρήση μη εγκεκριμένων εξαρτημάτων δεν καλύπτεται από την εγγύηση ή την ευθύνη για το προϊόν.
- ♦ Όταν καθαρίζετε μηχανικά εξαρτήματα με διαλυτικό, να συμμορφώνεστε με τους ισχύοντες κανονισμούς υγείας και ασφάλειας και να φροντίζετε ώστε ότι ο αερισμός να είναι επαρκής.
- ♦ Για εκτεταμένες εργασίες σέρβις του μηχανήματος, απευθυνθείτε στο πλησιέστερο εξουσιοδοτημένο συνεργείο.
- ♦ Μετά από κάθε εργασία σέρβις, να ελέγχετε εάν το επίπεδο κραδασμών του μηχανήματος είναι φυσιολογικό. Εάν όχι, απευθυνθείτε στο πλησιέστερο εξουσιοδοτημένο συνεργείο.

## Κάθε ημέρα

Πριν από την εκτέλεση εργασιών συντήρησης στα πνευματικά μηχανήματα, να διακόπτετε την παροχή πεπιεσμένου αέρα και να εξαερώνετε το μηχανήμα πιέζοντας τη διάταξη εκκίνησης/διακοπής της λειτουργίας. Στη συνέχεια να αποσυνδέετε τον εύκαμπτο σωλήνα αέρα από το μηχανήμα.

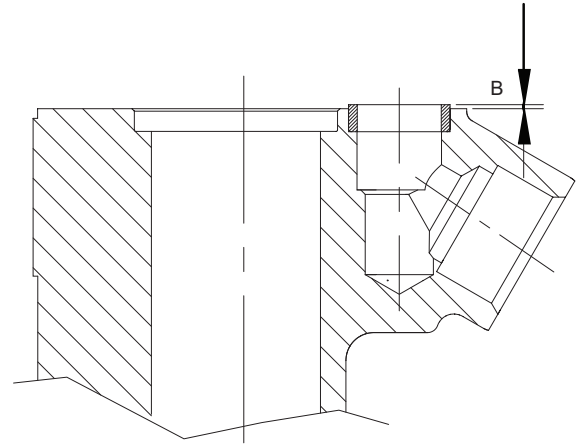
- ◆ Να καθαρίζετε και να επιθεωρείτε το μηχάνημα και τις λειτουργίες του, κάθε ημέρα πριν από την έναρξη της εργασίας.
- ◆ Να διενεργείτε γενική επιθεώρηση για διαρροές και ζημιές.
- ◆ Να βεβαιώνετε ότι το ρακόρ εισόδου αέρα είναι σφιγμένο και ότι η σύνδεση με σιαγόνες δεν έχει υποστεί ζημία.
- ◆ Να αντικαθιστάτε αμέσως τα εξαρτήματα που έχουν υποστεί ζημία.
- ◆ Να αντικαθιστάτε εγκαίρως τα εξαρτήματα που έχουν υποστεί φθορά.
- ◆ Να φροντίζετε ώστε ο συνδεδεμένος και ο σχετικός εξοπλισμός, όπως εύκαμπτοι σωλήνες, διαχωριστές νερού και συσκευές λίπανσης, να συντηρούνται κατάλληλα.

## Οδηγίες συναρμολόγησης

Απαιτείται εύλογη προσοχή κατά τη συναρμολόγηση και αποσυναρμολόγηση του εργαλείου ώστε να αποφευχθούν τυχόν γρέζια, χάραξη ή παραμόρφωση εξαρτημάτων ακριβείας στενής εφαρμογής.

1. Ελέγξτε όλες τις επιφάνειες επαφής μετάλλου σε μέταλλο για αμυχές και γρέζια πριν από και κατά τη συναρμολόγηση.
2. Πριν από την εκ νέου συναρμολόγηση, λιπάνετε όλα τα O-ring και αλείψτε όλα τα κινούμενα μέρη του εργαλείου με τα συνιστώμενα λιπαντικά.
3. Κατά τη συναρμολόγηση, φροντίστε να μην εισέλθουν ακαθαρσίες στο εργαλείο, ιδιαίτερα στο χώρο μεταξύ των επιφανειών επαφής.
4. Οι κοχλίες του μπροστινού τμήματος της κεφαλής πρέπει να σφίγγονται ώστε οι αποσβεστήρες να συμπιέζονται ομοιόμορφα και να επιτυγχάνεται το μήκος συναρμολόγησης που καθορίζεται στην ενότητα «Ροπές σύσφιξης».
5. Όταν ολοκληρωθεί η συναρμολόγηση, χύστε ποσότητα ½ oz. (1,5 cl) περίπου λαδιού συνιστώμενου τύπου μέσα στην εισαγωγή αέρα και αφήστε το πνευματικό μηχάνημα οδήγησης βελονών σε λειτουργία με μειωμένη ταχύτητα για 10–15 δευτερόλεπτα. Εάν θέσετε το πνευματικό μηχάνημα οδήγησης βελονών σε λειτουργία πάνω στα δάπεδο, φροντίστε να διατηρήσετε την ταχύτητα στο ελάχιστο ώστε να αποφευχθεί πρόκληση ζημίας στο έμβολο, στο μπλοκ σφυρηλασίας και στο μπροστινό τμήμα της κεφαλής.

6. Πριν από τη συναρμολόγηση του πίσω τμήματος της κεφαλής πάνω στον κύλινδρο, βεβαιωθείτε ότι το παρέμβυσμα στεγανοποίησης εξέχει περίπου (B) ¼ in. (1,6 mm) από το μέτωπο του κυλίνδρου.

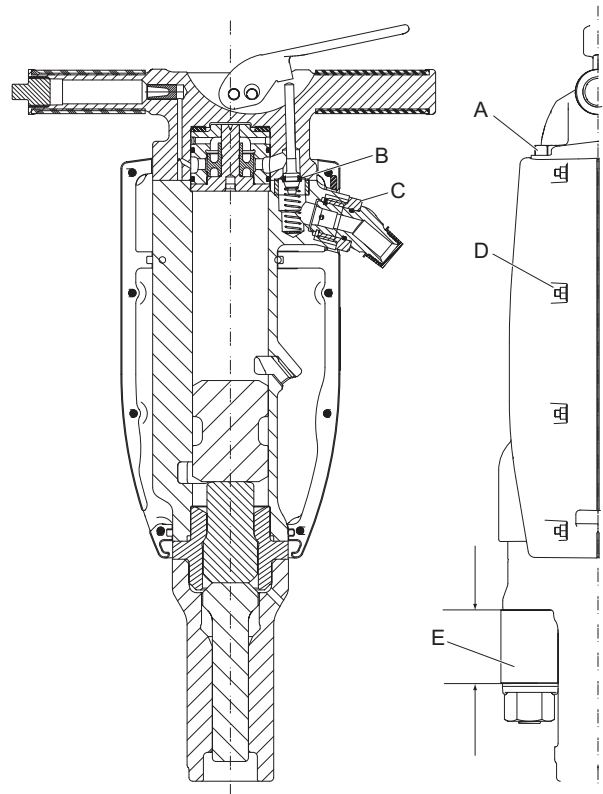
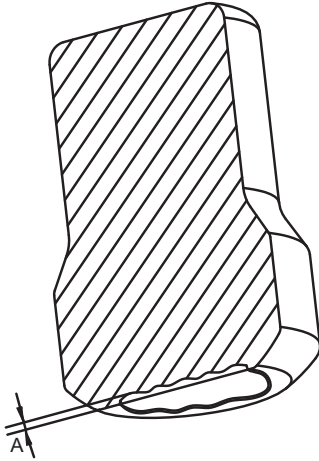


## Περιοδική συντήρηση

Μετά από κάθε περίοδο 150 ωρών κρουστικής λειτουργίας περίπου ή 2 φορές το χρόνο, το μηχάνημα πρέπει να αποσυναρμολογείται και όλα τα εξαρτήματα να καθαρίζονται και να ελέγχονται. Η εργασία αυτή πρέπει να εκτελείται από εξουσιοδοτημένο προσωπικό, εκπαιδευμένο σε εργασίες αυτού του είδους.

1. Βεβαιωθείτε ότι οι επιφάνειες συναρμογής είναι καθαρές και λείες και ότι τα μπουλόνια είναι σφιγμένα.
2. Καθαρίστε πολύ καλά και επιθεωρήστε τα εσωτερικά εξαρτήματα και βεβαιωθείτε ότι είναι ελεύθερα από σκουριά, γρέζια και ξένα σώματα.
3. Καθαρίστε πολύ καλά και επιθεωρήστε τα εξαρτήματα της βαλβίδας. Βεβαιωθείτε ότι η βαλβίδα κινείται ελεύθερα.

4. Βεβαιωθείτε ότι οι επιφάνειες του συγκροτήματος του άκμονα είναι παράλληλες και επίπεδες. Εάν το συγκρότημα του άκμονα έχει γίνει κοίλο, λειάνετε τα άκρα, αλλά μην αγγίζετε τη στιλβωμένη επιφάνεια όπου ο άκμονας χτυπάει το διατρητικό στέλεχος. Μέγιστη επιτρεπόμενη φθορά (A) 1/32" (1 mm). Δείτε την εικόνα παρακάτω.



## Ροπές σύσφιξης

**ΕΙΔΟΠΟΙΗΣΗ** Κατά την τοποθέτηση ζεύξης με σιαγόνες ή άλλου συνδετήρα στη σφαιρική άρθρωση, να χρησιμοποιείτε Loctite® 263™ (το Loctite είναι σήμα κατατεθέν της Henkel Corporation, το 263 είναι εμπορικό σήμα της Henkel Corporation) ή αντίστοιχο.

- A. Ροπή: CP 1260 S SPDR και CP 1290 S SPDR, 100 lbf.ft (135 Nm).
- B. Το παρέμβυσμα στεγανοποίησης κυλίνδρου πρέπει να εξέχει περίπου 1/16 in. (1,6 mm) πριν από τη συναρμολόγηση του πίσω τμήματος της κεφαλής.
- C. Ροπή: 150 lbf.ft (200 Nm). Χρησιμοποιήστε Loctite® 263™ (το Loctite είναι σήμα κατατεθέν της Henkel Corporation, το 263 είναι εμπορικό σήμα της Henkel Corporation).
- D. Ροπή, Σιγαστήρας 6–7 lbf.ft (8–10 Nm).
- E. Μήκος συναρμολόγησης αποσβεστήρα.

Μοντέλο	Ελάχ.-Μέγ. μήκος in. (mm)
CP 1260 S SPDR	2.14 -2.19 (54.4–55.6)
CP 1290 S SPDR	2.55 –2,61 (64,8–66,2)

## Αντιμετώπιση προβλημάτων

Εάν το πνευματικό μηχάνημα δεν τίθεται σε λειτουργία, έχει χαμηλή παροχή ισχύος ή ασταθή απόδοση, ελέγξτε τα εξής σημεία.

- ◆ Βεβαιωθείτε ότι στο πνευματικό μηχάνημα παρέχεται η κατάλληλη ποσότητα λιπαντικού. Η υπερβολική λίπανση είναι δυνατόν να προκαλέσει προβλήματα στην εκκίνηση, χαμηλή παροχή ισχύος ή ασταθή απόδοση.
- ◆ Βεβαιωθείτε ότι το σύστημα πεπιεσμένου αέρα παρέχει στο μηχάνημα επαρκή πίεση αέρα για την επίτευξη πλήρους ισχύος.
- ◆ Βεβαιωθείτε ότι το μέγεθος και το μήκος του εύκαμπτου σωλήνα αέρα συμφωνούν με τις συνιστώμενες τιμές. Βλ. «Εγκατάσταση».
- ◆ Εάν υπάρχει κίνδυνος σχηματισμού πάγου, βεβαιωθείτε ότι οι σπές εξαγωγής του μηχανήματος δεν παρουσιάζουν έμφραξη.
- ◆ Εάν το μηχάνημα εξακολουθεί να μην λειτουργεί ικανοποιητικά μετά από αυτήν τη διαδικασία, απευθυνθείτε σε εξουσιοδοτημένο συνεργείο σέρβις.

## Αποθήκευση

- > Καθαρίστε το μηχάνημα κατάλληλα πριν από τη φύλαξη, ώστε να αποτραπεί η συσσώρευση επικίνδυνων ουσιών. Βλ. ενότητα «Κίνδυνος λόγω σκόνης και αναθυμιάσεων»
- > Ρίξτε περίπου ½ oz (5 cl) λάδι απευθείας μέσα στο ρακόρ εισαγωγής αέρα, συνδέστε το μηχάνημα στην παροχή πεπιεσμένου αέρα και θέστε το μηχάνημα σε λειτουργία για μερικά δευτερόλεπτα.
- > Να φυλάσσεται πάντα το μηχάνημα σε στεγνό χώρο.

## Απόρριψη

Ένα μεταχειρισμένο μηχάνημα πρέπει να απορρίπτεται με τέτοιο τρόπο και βάσει των τοπικών περιορισμών, ώστε η ανακύκλωση του μεγαλύτερου μέρους των υλικών να είναι εφικτή και οι τυχόν αρνητικές επιπτώσεις στο περιβάλλον να ελαχιστοποιούνται.

## Τεχνικά δεδομένα

### Δεδομένα μηχανήματος

Τύπος	Μέγιστη διάμετρος κεφαλής in. (mm)	Βάρος lb (kg)	Μήκος in. (mm)	Κρουστική συχνότητα κρούσεις/λεπτό (Hz)	Κατανάλωση αέρα cfm (l/s)
CP 1260 S SPDR	1¼ (44)	65 (29,5)	24,7 (625)	1300 (21,5)	73 (34,5)
CP 1290 S SPDR	1¼ (44)	84 (38)	26 (660)	1100 (18,3)	91 (43)

### Δήλωση εκπομπών θορύβου και κραδασμών

Εγγυημένη στάθμη ηχητικής ισχύος **L<sub>w</sub>** κατά EN ISO 3744 σύμφωνα με την οδηγία 2000/14/EK.

Στάθμη ηχητικής πίεσης **L<sub>p</sub>** σύμφωνα με το EN ISO 11203.

Τιμή κραδασμών **A** και αβεβαιότητα **B** προσδιοριζόμενη σύμφωνα με EN ISO 20643. Βλ. πίνακα «Δεδομένα θορύβου και κραδασμών» για τις τιμές A, B, κ.λ.π.

Αυτές οι δηλωμένες τιμές, έχουν προκύψει από δοκιμές εργαστηριακού τύπου σύμφωνα με την αναφερόμενη οδηγία ή πρότυπα και είναι κατάλληλες για σύγκριση με τις δηλωμένες τιμές για άλλα εργαλεία τα οποία έχουν υποβληθεί σε δοκιμές σύμφωνα με την ίδια οδηγία ή πρότυπα. Αυτές οι δηλωμένες τιμές δεν είναι κατάλληλες για χρήση σε αξιολογήσεις κινδύνου και οι τιμές μέτρησης σε διαφορετικούς χώρους εργασίας ενδέχεται να είναι υψηλότερες. Οι πραγματικές τιμές έκθεσης και ο κίνδυνος βλάβης για μεμονωμένο χρήστη είναι μοναδικές και εξαρτώνται από τον τρόπο με τον οποίο εργάζεται ο χρήστης, από το υλικό στο οποίο χρησιμοποιείται το μηχάνημα, από το χρόνο έκθεσης και τη φυσική κατάσταση του χρήστη, όπως και την κατάσταση του μηχανήματος.

Εμείς, η Atlas Copco Construction Tools AB, δεν αναλαμβάνουμε την ευθύνη για τις συνέπειες της χρήσης των δηλωμένων τιμών αντί των τιμών που αντιστοιχούν στον πραγματικό χρόνο έκθεσης, σε μια κατάσταση μεμονωμένης αξιολόγησης κινδύνου σε χώρο εργασίας τον οποίο δεν ελέγχουμε.

Το εργαλείο αυτό ενδέχεται να προκαλέσει σύνδρομο κραδασμών καρπού-βραχίονα, εάν δεν χρησιμοποιείται με κατάλληλο τρόπο. Μπορείτε να ανατρέξετε σε οδηγό της EE σχετικά με την αντιμετώπιση των κραδασμών καρπού-βραχίονα στον ιστότοπο <http://www.humanvibration.com/humanvibration/EU/VIBGUIDE.html>

Συνιστούμε ένα πρόγραμμα παρακολούθησης υγείας για την έγκαιρη αναγνώριση των αρχικών συμπτωμάτων τα οποία ενδέχεται να σχετίζονται με την έκθεση σε κραδασμούς, ώστε να είναι δυνατή η τροποποίηση των διαδικασιών διαχείρισης και να αποτρέπονται σοβαρές αναπηρίες στο μέλλον.

### Δεδομένα θορύβου και κραδασμών

Τύπος	Θόρυβος		Δονήσεις	
	Ηχητική πίεση	Ισχύς θορύβου	Τιμές τριών αξόνων	
	Δηλωμένες τιμές		Δηλωμένες τιμές	
	EN ISO 11203	2000/14/EK	EN ISO 20643	
	L <sub>p</sub> r=1m dB(A) rel 20μPa	L <sub>w</sub> εγγυημένο L <sub>w</sub> dB(A) rel 1pW	A m/s <sup>2</sup> τιμή	B m/s <sup>2</sup> διάδοση
CP 1260 S SPDR	97	110	20,7	2,5
CP 1290 S SPDR	98	111	18,4	2,3

# Δήλωση Συμμόρφωσης της ΕΚ

## Δήλωση Συμμόρφωσης της ΕΚ (Οδηγία ΕΚ 2006/42/ΕΚ)

Εμείς, η Atlas Copco Construction Tools AB, δια του παρόντος δηλώνουμε ότι τα μηχανήματα τα οποία αναγράφονται κατωτέρω συμμορφώνονται με τις προβλέψεις των Οδηγιών της ΕΚ 2006/42/ΕΚ (Οδηγία περί Μηχανημάτων) και 2000/14/ΕΚ (Οδηγία περί Θορύβου), όπως και τα εναρμονισμένα πρότυπα που αναγράφονται κατωτέρω.

Φορητά πνευματικά μηχανήματα οδήγησης βελονών	Εγγυημένη στάθμη ηχητικής ισχύος [dB(A)]	Στάθμη μέτρησης ηχητικής ισχύος [dB(A)]	Pmax (bar)
CP 1260 S SPDR	110	108	6,2
CP 1290 S SPDR	111	109	6,2

### Εφαρμόστηκαν τα εξής εναρμονισμένα πρότυπα:

- ◆ EN ISO 11148-4

### Εφαρμόστηκαν τα εξής άλλα πρότυπα:

- ◆ Lloyds Register Quality Assurance, NoBo no.0088

### Εξουσιοδοτημένος εκπρόσωπος τεχνικής τεκμηρίωσης:

Per Forsberg  
Atlas Copco Construction Tools AB  
Dragonvägen 2  
Kalmar

### Αντιπρόεδρος Τμήματος Σχεδιασμού και Ανάπτυξης :

Erik Sigfridsson

### Κατασκευαστής:

Atlas Copco Construction Tools AB  
391 27 Kalmar  
Sweden

### Τόπος και ημερομηνία:

Kalmar, 2012-11-30





## SUOMI

## Sisällys

<b>Johdanto</b> .....	139
<b>Tietoja turvallisuusohjeista ja käyttöohjeesta</b> .....	139
<b>Turvallisuusohjeet</b> .....	140
Turvasignaali-tekstit.....	140
Henkilökohtaiset varotoimenpiteet ja valmiudet.....	140
Asennus, varotoimenpiteet.....	140
Käyttö, varotoimenpiteet.....	141
Huolto, varotoimenpiteet.....	144
Varastointi, varotoimenpiteet.....	144
<b>Yleistä</b> .....	145
Rakenne ja toiminta.....	145
Tärkeimmät osat.....	145
Tarrat.....	145
<b>Asennus</b> .....	146
Letkut ja liitännät.....	146
Jäätymisen estämismenetelmiä.....	146
Vedenerottimen liittäminen.....	146
Voitelu.....	146
<b>Käyttö</b> .....	147
Käynnistys ja pysäytys.....	147
Käyttö.....	147
Poistuessasi tauolle.....	148
<b>Huolto</b> .....	149
Päivittäin.....	149
Kokoamisohjeet.....	149
Määräaikaishuollot.....	150
Kirstysmomentit.....	150
<b>Vianmääritys</b> .....	151
<b>Varastointi</b> .....	151
<b>Käytöstä poisto</b> .....	151
<b>Tekniset tiedot</b> .....	152
Koneen tiedot.....	152
Melu- ja värinärvoilmoitus.....	152
Melu- ja värinätiedot.....	152
<b>CE-vaatimustenmukaisuusvakuutus</b> .....	153
CE-vaatimustenmukaisuusvakuutus (EY-direktiivi 2006/42/EY).....	153

## Johdanto

Kiitos kun valitsit Chicago Pneumatic -tuotteen! Chicago Pneumatic on jo yli 100 vuoden ajan ollut paineilmantyökaluteollisuuden innovatiivinen uranuurtaja.

Nykyisin Chicago Pneumatic toimii kaikkialla maailmassa tarjoten laajan valikoiman paineilma- ja hydraulikäyttöisiä työkaluja kuten iskuvasaroita, kallioporakoneita, piikkauskoneita, paineilmakankia, katkaisutyökaluja, betonihakkureita, pumppuja ja paljon muita.

Chicago Pneumaticin päämääränä on ollut aina tarjota asiakkailleen tehokkaita, luotettavia ja helposti huollettavia sekä edullisia tuotteita.

Lisätietoja on verkko-osoitteessa [www.cp.com](http://www.cp.com)

Atlas Copco Construction Tools AB  
Box 703  
391 27 Kalmar  
Sweden

## Tietoja turvallisuusohjeista ja käyttöohjeesta

Ohjeiden tarkoituksena on neuvoa käyttäjille paineilmakäyttöisen piikkivasaran tehokas ja turvallinen käyttötapa. Ohjeissa neuvotaan myös, miten tehdään paineilmakäyttöisen piikkivasaran säännönmukaiset kunnossapitotoimenpiteet.

Ennen paineilmakäyttöisen piikkivasaran käyttöönottoa sinun on perehdyttävä näihin ohjeisiin perusteellisesti.

## Turvallisuusohjeet

Ennen kuin alat asentaa, käyttää, korjata tai huoltaa konetta tai vaihtaa sen lisävarusteita, perehdy turvallisuusohjeisiin ja käyttöohjeeseen.

Turvallisuusohjeita noudattamalla vältytään vakavilta vammautumisilta ja hengenvaaralta.

Toimita nämä turvallisuusohjeet ja käyttöohje työkohteisiin ja anna työntekijöille kopiot. Varmista, että kaikki konetta käsittelevät perehtyvät turvallisuusohjeisiin ja käyttöohjeeseen ennen koneen käyttöä tai huoltotöitä.

Lisäksi koneen käyttäjän tai hänen työnantajansa tulee arvioida koneen käytöstä johtuvat erityiset työturvallisuusriskit.

## Turvasignaali-tekstit

Turvasignaali-tekstit Vaara, Varoitus ja Huomio tarkoittavat seuraavaa:

<b>VAARA</b>	Välitön vaaratilanne, jonka laiminlyönti johtaa hengenvaaraan tai vakavaan vammautumiseen.
<b>VAROITUS</b>	Välitön vaaratilanne, jonka laiminlyönti voi johtaa hengenvaaraan tai vakavaan vammautumiseen.
<b>HUOMIO</b>	Mahdollinen vaaratilanne, jonka laiminlyönti voi johtaa vähäiseen tai lievään vammaan.

## Henkilökohtaiset varotoimenpiteet ja valmiudet

Vain ammattitaitoiset ja koulutetut henkilöt saavat käyttää tai huoltaa konetta. Heidän täytyy olla riittävän voimakkaita käsittelemään painavaa työkalua. Luota aina terveeseen järkeen ja älä tee mitään harkitsematonta.

### Henkilökohtainen suojavarustus

Käytä aina hyväksytyjä suojavarusteita. Koneen käyttäjän ja muiden työalueella olevien henkilöiden on käytettävä henkilösuojaimia, vähintään:

- > suojakypärää
- > kuulonsuojaimia
- > sivusuojilla varustettuja iskunkestäviä suojalaseja
- > hengityssuojaimia tilanteen sitä edellyttäessä
- > suojakäsineitä
- > asianmukaisia turvasaappaita

- > asianmukaisia työhaalareita tai vastaanvanlaisia vaatteita (ei löysiä), jotka peittävät käsivarret ja sääret.

### Huumeet ja alkoholin tai lääkkeiden käyttö

#### ▲ VAROITUS Huumeet ja alkoholin tai lääkkeiden käyttö

Huumeet, alkoholi tai lääkkeet voivat heikentää arvostelukykysi ja keskittymistäsi. Reagointikyvyn heikkeneminen ja väärät tilannearviot voivat johtaa vakavaan vammautumiseen tai hengenvaaraan.

- ▶ Älä käytä konetta, jos olet väsynyt tai huumeiden, alkoholin tahi lääkkeiden vaikutuksen alaisena.
- ▶ Huumeiden, alkoholin tai lääkkeiden vaikutuksen alaisena oleva henkilö ei saa käyttää konetta.

## Asennus, varotoimenpiteet

### ▲ VAARA Ympäristöä piiskaava paineilmaletku

Irti päässyt paineilmaletku voi iskeytyä hallitsemattomasti ja aiheuttaa henkilövahingon tai hengenvaarallisia tilanteita. Vaaratilanteiden estämiseksi:

- ▶ Tarkista, että paineilmaletku ja sen liittimet ovat ehjät. Tarvittaessa vaihda osat uusiin.
- ▶ Tarkista, että paineilmaletkun kaikki liittimet ovat oikein paikallaan.
- ▶ Älä koskaan kannaa paineilmakäyttöistä konetta sen ilmaletkun varassa.
- ▶ Älä koskaan yritä irrottaa paineistettuna olevaa ilmaletkua liitännästä. Katkaise ensin paineilman tulo kompressorista ja tyhjennä sitten kone paineilmasta painamalla liipaisinta.
- ▶ Älä käytä työkalun kiinnitykseen pikaliittimiä. Käytä karkaistusta teräksestä (tai vastaavan iskunkestävyyden materiaalista) valmistettuja, paikalleen kierrettäviä letkunliittimiä.
- ▶ Käytettäessä yleismallisia, kierrettäviä liittimiä (kynsilittimiä) suosittellemme lukkotappien asentamista ja turvavajereita, joilla estetään letkujen hallitsematonta piiskaamista, mikäli letkun ja työkalun liitäntä tai letkuliitin rikkoutuu.
- ▶ Älä koskaan osoita paineistetulla ilmaletkulla itseäsi tai ketään muuta. Loukkaantumista varten välttämiseksi älä koskaan yritä puhdistaa pölyä tai likaa vaatteistasi paineilmalla.

## Käyttö, varotoimenpiteet

### ▲ VAARA Räjähdyksvaara

Jos piikkivasara joutuu kosketuksiin räjähtävien aineiden tai kaasujen kanssa, seurauksena voi olla räjähdys. Tietyntyyppisten materiaalien työstö ja tietyt koneen osissa käytettävät materiaalit voivat johtaa kipinöintiin ja materiaalien syttymiseen. Räjähdykset johtavat vakavaan vammautumiseen tai hengenvaaraan.

- ▶ Älä koskaan käytä konetta räjähdysriskissä ympäristössä.
- ▶ Älä koskaan käytä konetta herkästi syttyvien materiaalien, höyryjen tai pölyn läheisyydessä.
- ▶ Varmista, että lähellä ei ole mitään piileviä kaasunpurkaus- tai räjähdyslähteitä.

### ▲ VAROITUS Odottamattomat liikkeet

Piikkivasaraan kohdistuu käytön aikana ankaraa rasitusta ja voimia. Voimista johtuvista äkillisistä tai odottamattomista liikkeistä voi seurata henkilövahinkoja. Lisäksi tasapainon menetys tai liukastuminen voi johtaa henkilövahinkoon.

- ▶ Varmista, että sinulla on aina tukeva jalansija. Pyri säilyttämään mahdollisimman hyvä ja vakaa tasapaino pitämällä jalat riittävän etäällä toisistaan.
- ▶ Tutki laitteisto joka kerta ennen sen käyttöä. Älä koskaan käytä laitteistoa, jos epäilet sen olevan vaurioitunut.
- ▶ Varmista, että kahvat ovat puhtaat. Pyyhi pois mahdollinen rasva tai öljy.
- ▶ Pidä kädet ja jalat etäällä piikkivasarasta.
- ▶ Seiso vakaasti ja pidä aina molemmin käsin koneesta kiinni.
- ▶ Älä koskaan käynnistä konetta sen ollessa maassa pitkällään.
- ▶ Älä tukeudu koneeseen pitämällä jalkaa kahvan päällä.
- ▶ Älä koskaan lyö tai kolhi mitään laitteiston osaa tahallasi.
- ▶ Keskity työhön, jota teet.

### ▲ VAROITUS Pöly- ja savukaasuvaara

Koneen käytöstä syntyvä pöly ja savukaasut voivat aiheuttaa vakavia ja pysyviä hengitysteiden sairauksia, ammattitautteja tai muita henkilövammoja (esimerkiksi keuhkofibroosin tai muun peruuttamattoman hengenvaarallisen keuhkosairauden, syöpää, vaurioita syntyville lapsille ja/tai ihotulehduksia).

Poraamisen, iskuvasaroinnin, sahauksen, hionnan ja muiden rakennustöiden aikana syntyvät tietyt pölyt, huurut tai muut hengitysilmaan kulkeutuvat ainesosat saattavat sisältää kemikaaleja, jotka Kalifornian osavaltion tietojen mukaan aiheuttavat hengitysteiden sairauksia, syöpää sekä syntyville lapsille vaurioita tai muita ongelmia. Esimerkkejä tällaisista aineista ovat:

- > Kiteinen kvartsi, sementti ja muut muuraustuotteet.
- > Kemiallisesti käsitellystä kumista erittyvä arseeni ja kromi.
- > Lyijypohjaisista maaleista erittyvä lyijy.

Ilmassa kulkeutuva pöly ja savukaasut voivat olla paljaalle silmälle näkymättömiä, joten silminnähdessä ei voida aina päätellä, onko ilmassa pölyä ja savukaasuja.

Estä altistumista pölylle ja savukaasuille seuraavilla toimenpiteillä:

- ▶ Tee työmaakohtainen riskianalyysi. Riskianalyysissä tulee ottaa huomioon koneen käytöstä johtuvat pöly ja savukaasut ja lisäksi kohteessa jo olevan pölyn leviäminen työn vaikutuksesta.
- ▶ Työkohteessa on käytettävä asianmukaisia ilmanvaihtolaitteistoja, joilla vähennetään pölyn ja savukaasujen määrää ilmassa sekä pölyn kerääntymistä laitteiden, pintojen vaatteiden ja kehon osien päälle. Esimerkkejä puhdistuslaitteistoista ovat: alipaineiset ilmanvaihto- ja pölynkeruujärjestelmät, veden suihkuttaminen ja märkäporaus. Estä pölyämistä ja savukaasujen muodostusta jo niiden lähteessä, mikäli mahdollista. Varmista, että puhdistuslaitteistot asennetaan ja huolletaan asianmukaisesti ja että niitä käytetään oikein.
- ▶ Käytä työsuojelu- ja turvamääräysten mukaisia hengityssuojaimia työnantajan ohjeistamalla tavalla. Hengityssuojainten on sovellettava käsiteltävien materiaalien aiheuttamien haittojen ehkäisyyn (ja tietyissä tapauksissa niille tulee olla vastaavan hallintoviranomaisen hyväksyntä).
- ▶ Varmista työalueen ilmanvaihdon riittävyys.
- ▶ Jos kone tuottaa pakokaasuja, suuntaa ne pois siten, etteivät ne aiheuta pölyhaittojen lisääntymistä työympäristössä.
- ▶ Käytä ja huolla konetta tässä käyttöohjeessa ja turvallisuusohjeissa kuvatulla tavalla.

- ▶ Käytä oikean tyyppisiä työkaluja ja kulutusosia ja huolla niitä tässä käyttöohjeessa kuvatulla tavalla. Väärän tyyppisten työkalujen ja kulutusosien käyttö tai niiden virheellisesti tehdyt huollot ja väärä käyttötapa voivat johtaa pölyn ja savukaasujen tarpeettomaan lisääntymiseen.
- ▶ Käytä pestäviä tai kertakäyttöisiä suojavaatteita ollessasi työmaalla. Käy suihkussa ja vaihda puhtaat vaatteet ennen kuin lähdet työpaikalta, jotta sinä, muut ihmiset, autot, asunnot ja muut paikat eivät pääse altistumaan pölylle ja savukaasuille.
- ▶ Vältä syömistä, juomista tai tupakointia alueilla, joissa ilmassa on pölyä ja savukaasuja.
- ▶ Pese kätesi ja kasvosasi huolellisesti heti altistumista aiheuttavalta työskentelyalueelta poistumisen jälkeen ja aina ennen kuin syöt, juot tai tupakoit tai olet yhteydessä muihin henkilöihin.
- ▶ Noudata kaikkia voimassa olevia lakeja ja määräyksiä, myös työpaikkakohtaisia työsuojelu- ja turvamääräyksiä.
- ▶ Osallistu työnantajan tai ammattijärjestöjen järjestämiin ja työsuojelulainsäädännön edellyttämiin ja suositeltuihin terveystarkastuksiin sekä ilmanseuranta- ja koulutusohjelmiin. Kysy tarvittaessa lisäohjeita työterveyslääkäriltä.
- ▶ Toimi yhteistyössä työnantajasi ja ammattijärjestön kanssa, jotta pölylle ja savukaasuille altistuminen voidaan välttää työmaalla parhaalla mahdollisella tavalla. Työmaalle on laadittava työterveys- ja työsuojelualan asiantuntijoiden ohjeiden perusteella asianmukaiset työterveys- ja työturvallisuusohjelmat sekä menettelytapaohjeet, joilla voidaan suojata työntekijät ja muut alueella oleskelevat altistumiselta pölylle ja savukaasuille. Lisätietoja saat alan asiantuntijoilta.
- ▶ Vaarallisten aineiden jäämät koneessa voivat olla riski. Puhdista kone perusteellisesti ennen huoltotöiden aloittamista.

#### ▲ VAROITUS Sinkoutuvat esineet

Työstökappaleen, lisävarusteiden tai koneen vaurioitumisen johdosta ympäristöön voi levitä kovalla nopeudella sinkoutuvia esineitä. Töiden yhteydessä irtoavat kivensirut ja muut materiaalit voivat sinkoutua ympäristöön ja aiheuttaa osuessaan henkilövammoja käyttäjälle tai muille henkilöille. Vaaratilanteiden estämiseksi:

- ▶ Käytä työssä aina hyväksytyjä henkilösuojaimia ja suojakypärää, mukaan lukien sivusuojilla varustettuja, iskunkestäviä suojalaseja.
- ▶ Varmista, että sivulliset eivät pääse työalueelle.
- ▶ Pidä työskentelyalue vapaana vieraista esineistä.

- ▶ Varmista, että piikki on turvallisesti kiinnitetty paikalleen.

#### ▲ VAROITUS Sinkoutuvan piikin vaara

Jos piikki ei ole ennen koneen käytön alkamista kunnolla kiinni työkappaleessa, työskentely saattaa johtaa henkilövammaan.

- ▶ Varmista aina ennen koneen käytön alkamista, että piikki on tukevasti kiinni.
- ▶ Älä koskaan koske koneen käytön aikana piikkiin tai yritä pitää siitä kiinni.

#### ▲ VAROITUS Liukastumis-, kompastumis- ja kaatumisvaarat

Työmaalla on esimerkiksi letkujen tai muiden esteiden johdosta liukastumis-, kompastumis- ja kaatumisvaara. Liukastuminen, kompastuminen tai kaatuminen voi aiheuttaa henkilövahinkoja. Vaaratilanteiden estämiseksi:

- ▶ Varmista, että omalla tai muiden henkilöiden reiteillä ei ole letkuja tai muita esteitä.
- ▶ Varmista, että sinulla on aina tukeva jalansija. Pyri säilyttämään mahdollisimman hyvä ja vakaa tasapaino pitämällä jalat riittävän etäällä toisistaan.

#### ▲ VAROITUS Äkillisten liikkeiden aiheuttamat vaaratilanteet

Käyttäessäsi konetta työssä saatat tuntea epämukavaa tunnetta kämmenissä, käsivarsissa, olkapäissä, niskassa tai kehon muissa osissa.

- ▶ Ota aina mukavalta tuntuva, tukeva ja vakaa työasento.
- ▶ Jos työ kestää pitkään, vaihda ajoittain asentoa välttääksesi epämukavan tunteen ja väsymisen.
- ▶ Jos koet jatkuvia tai toistuvia rasituksesta johtuvia oireita, käänny työterveyslääkärin puoleen.

**▲ VAROITUS Vaara – Tärinät**

Koneen normaali ja oikea käyttötapa altistaa käyttäjän tärinöille. Säännöllinen ja toistuva altistuminen tärinöille voi aiheuttaa, myötävaikuttaa tai pahentaa vammoja tai terveydentilaan liittyviä ongelmia, joita käyttäjän sormille, käsille, ranteille, käsivarsille, olkapäille ja/tai hermosto- ja verenkiertojärjestelmälle tai muille kehon osille aiheutuu. Tällaisia ovat myös lihasten ja raajojen yleinen rappeutuminen ja/tai pysyvät vammat tai terveydentilaan liittyvät ongelmat, jotka saattavat kehittyä vähitellen viikkojen, kuukausien tai vuosien kuluessa. Näihin vammoihin tai terveydellisiin ongelmiin voi sisältyä verenkiertojärjestelmän vaurioituminen, hermojärjestelmän vaurioituminen, nivelten vaurioituminen ja mahdolliset vauriot muille kehon osille ja rakenteille.

Jos havaitset toistuvaa epämukavuuden tunnetta, puutumista, kuumotusta, kihelmöintiä, kipua, kankeutta, otteen heikentymistä, ihon vaalenemista tai tuntoherkkyyden alenemista käyttäessäsi konetta ja myös silloin, kun et käytä konetta, keskeytä työnteko, ilmoita asiasta työnantajalle ja käänny lääkärin puoleen. Koneen käytön jatkaminen mainittujen oireiden ilmenemisen jälkeen voi johtaa oireiden kehittymiseen vakaviksi ja/tai pysyviksi.

Käyttämällä ja huoltamalla konetta tässä käyttöohjeessa kuvatulla tavalla voidaan estää tarpeettomasti kohoavat tärinätasot.

Koneen käyttäjän altistumista tärinöille voi lieventää seuraavilla toimenpiteillä:

- ▶ Anna koneen tehdä työ. Pidä kädensijasta kiinni mahdollisimman löysästi varmistaen kuitenkin, että säilytät koneen hallinnan ja että sen käyttö on koko ajan turvallista.
- ▶ Jos kone on varustettu tärinänvaimennuskahvoilla, pidä ne keskiasennossa ja vältä kahvojen puristamista ääriasetoihin saakka.
- ▶ Kun iskumekanismi aktivoituu, pidä kiinni koneen kädensijasta tai kädensijoista vain käsilläsi. Älä kosketa koneeseen muulla kehollasi. Älä esimerkiksi tue konetta kehollasi ja älä yritä lisätä syöttövoimaa nojaamalla kehollasi konetta vasten. Älä koskaan pidä käynnistys- ja pysäytyslaitteen käyttökytkintä turhaan painettuna vetäessäsi konetta irti työstöpinnasta.
- ▶ Varmista, että koneessa oleva työkalu on aina hyvin huollettu (myös terävä, jos kyseessä on leikkausterä), se ei ole kulunut ja on oikean kokoinen. Työ kestää kauemmin (ja samalla altistuminen tärinälle kestää kauemmin) huonosti huolletuilla, kuluneilla tai väärän kokoisilla työkaluilla, jolloin käyttäjä altistuu tarpeettomasti voimakkaammalle tärinälle.

- ▶ Jos kone alkaa yhtäkkiä tärinästä voimakkaasti, lopeta sen käyttäminen välittömästi. Ennen työn jatkamista selvitä ja korjaa lisääntyneiden tärinöiden syy.
- ▶ Älä koskaan tartu työkalusta äläkä kosketa sitä käyttäessäsi konetta.
- ▶ Osallistu työnantajan järjestämiin ja lainsäädännön edellyttämiin terveystarkastuksiin ja koulutusohjelmiin.
- ▶ Työskennellessäsi kylmissä olosuhteissa pidä lämpimiä vaatteita ja pidä kädet lämpiminä ja kuivina.
- ▶ Poistoilma on voimakkaasti jäähdytettyä eikä se saa koskea käyttäjään. Suuntaa poistoilma aina pois käsistä ja kehosta.

Lue myös kohdan ”Melu- ja tärinäarvoilmoitus” tiedot ja niissä ilmoitetut tärinäarvot. Nämä tiedot löytyvät tämän turvallisuus- ja käyttöohjeen lopusta.

- ◆ Käytä konetta vain suositellulla paineilmasyötön voimakkuudella. Liian suuri tai normaalia pienempi paineilma voi johtaa tärinöiden lisääntymiseen.

**▲ VAARA Sähkövirran aiheuttamat vaaratilanteet**

Konetta ei ole eristetty sähköiskuja vastaan. Koneeseen kohdistuva sähkövirta saattaa johtaa vakavaan vammautumiseen tai hengenvaaraan.

- ▶ Älä koskaan käytä konetta sähköjohtojen tai muiden sähkölaitteiden lähellä.
- ▶ Varmista, että työskentelyalueella ei ole piileviä johtoja tai muita sähkölaitteita.

**▲ VAROITUS Piilossa olevien esineiden aiheuttamat vaaratilanteet**

Piilevät johdot tai putket aiheuttavat töiden yhteydessä vaaratilanteita, jotka voivat johtaa vakavaan vammautumiseen.

- ▶ Tarkista työstettävän materiaalin koostumus ennen töiden aloittamista.
- ▶ Pyri havaitsemaan mahdolliset piilevät johdot ja putket, esimerkiksi sähkö- ja puhelinjohdot, vesi-, viemäri- ja kaasuputket jne.
- ▶ Jos piikki näyttää osuneen rakenteessa olevaan vaaralliseen kohteeseen, sammuta kone välittömästi.
- ▶ Varmista ennen työn jatkamista, että vaaraa ei ole.

**▲ VAROITUS Tahaton käynnistäminen**

Koneen tahaton käynnistäminen saattaa aiheuttaa henkilövahingon.

- ▶ Koske liipaisimeen vasta käynnistäessäsi konetta.
- ▶ Opettele koneen sammuttaminen hätätilanteessa.
- ▶ Vapauta liipaisin välittömästi, jos koneen voimanlähteen käyttö estyy.
- ▶ Ennen huolto- tai asennustyön, tarkastuksen tai puhdistuksen aloittamista katkaise paineilmansyöttö, tyhjennä kone paineilmosta painamalla liipaisinta ja irrota kone tehonlähteestä.

**▲ VAROITUS Meluvaarat**

Korkeat melutasot voivat aiheuttaa pysyvien kuulovammojen ohella muita kuulo-ongelmia, esimerkiksi korvien tinnitusta (soimista, surinaa tai viheltävää tai humisevaa ääntä). Vaaratilanteiden ilmeneminen ja tarpeettomasti kohoavat melutasot voidaan estää:

- ▶ Suorittamalla näihin vaaratilanteisiin liittyvät riskianalyysit ja toteuttamalla niiden edellyttämät työsuojelutoimenpiteet.
- ▶ Käyttämällä ja huoltamalla konetta tässä käyttöohjeessa kuvatulla tavalla.
- ▶ Jos koneessa on äänenvaimennin, tarkistamalla sen paikallaan olo ja käyttökuntoisuus.
- ▶ Käyttämällä aina kuulosuojainta.

**Huolto, varotoimenpiteet****▲ VAROITUS Koneen muutostyöt**

Jos koneeseen tehdään muutostöitä, seurauksena saattaa olla vakavia vammoja sekä itsellesi että muille.

- ▶ Älä koskaan tee koneeseen muutostöitä. Koneet, joihin on tehty muutostöitä, eivät kuulu takuun tai tuotevastuun piiriin.
- ▶ Käytä aina alkuperäisvaraosia ja lisävarusteita.
- ▶ Vaihda vaurioituneet osat viipymättä.
- ▶ Vaihda kuluneet osat hyvissä ajoin.

**Varastointi, varotoimenpiteet**

- ◆ Säilytä kone ja työkalut turvallisessa ja lukitussa paikassa poissa lasten ulottuvilta.



## Yleistä

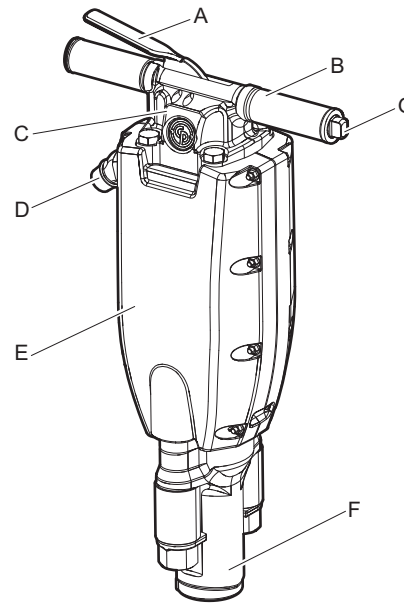
Ennen kuin alat asentaa, käyttää, korjata tai huoltaa konetta tai vaihtaa sen lisävarusteita, perehdy turvallisuusohjeisiin ja käyttöohjeeseen. Turvallisuusohjeita noudattamalla vältetään vakavilta vammautumisilta ja hengenvaaralta.

## Rakenne ja toiminta

CP 1260 S SPDR ja CP 1290 S SPDR on suunniteltu iskemään piikkejä rakennettaessa rautatietä, pystytettäessä telttaa sekä erilaisissa rakennus- ja kunnossapitotöissä.

Koneissa on avoin etupuoli, johon voi kiinnittää erilaisia iskemisessä tarvittavia työvälineitä. Työvälineen enimmäishalkaisija on 1 3/4 in. (44 mm). Paineilmatoimiset piikkivasarat on tarkoitettu ainoastaan kohtisuoraan alaspäin suuntautuvaan käyttöön. Muunlainen käyttö ei ole sallittua.

## Tärkeimmät osat

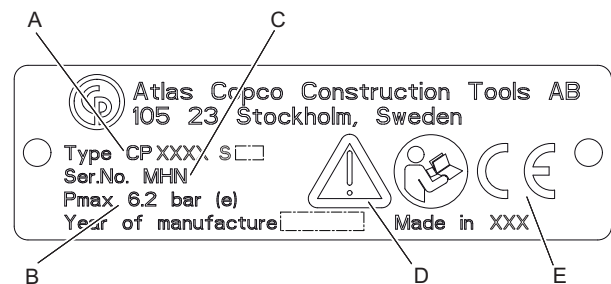


- A. Liipaisin
- B. Kahva
- C. Taustapuoli
- D. Ilmanotto
- E. Äänenvaimennin
- F. Etupuoli
- G. Öljyvoitelulaite

## Tarrat

Tässä koneessa on käyttöturvallisuuden kannalta tärkeät turva- ja huoltokilvet. Kilvet on pidettävä sellaisessa kunnossa, että ne on helppo lukea. Uusia kilpiä voi tilata varaosaluettelon avulla.

## Tietolevy



- A. Konetyyppi
- B. Suurin sallittu paineilman paine
- C. Sarjanumero

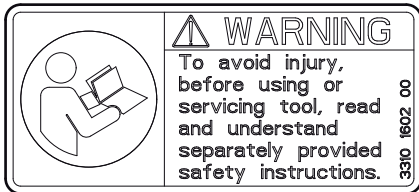
- D. Varoitusymboli ja kirjasyntoli tarkoittavat, että käyttäjän on perehdyttävä turvallisuusohjeisiin ja käyttöohjeeseen ennen koneen ensimmäistä käyttökertaa.
- E. CE-merkki tarkoittaa, että kone on saanut EY-hyväksynnän. Lisätietoja on koneen mukana toimitettavassa EY-vaatimustenmukaisuusvakuutuksessa. Jos CE-merkki puuttuu, se tarkoittaa, että kone ei ole saanut EY-hyväksyntää.

### Melutasokilpi



Kilpi ilmoittaa EY-direktiivin 2000/14/EY mukaisen taatun enimmäismelutason. Tarkat tiedot melutasosta ovat kohdassa "Tekniset tiedot".

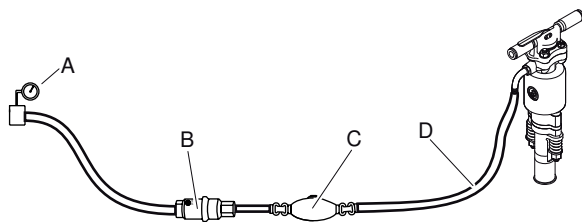
### Turvamerkintä



Vammojen välttämiseksi perehdy erillisiin turvaohjeisiin ennen kuin alat käyttää tai huoltaa konetta.

## Asennus

### Letkut ja liitännät



- A. Paineilmalähde  
 B. Vedenerotin (lisävaruste)  
 C. Öljyvoitelulaite (lisävaruste)

- D. Enintään 3 metriä (10 feet) voitelulaitteen ja koneen välistä paineilmaletkua.
- ◆ Tarkista, että käytössä on valmistajan suosittelema käyttöpainne, 87 psig (6 bar (e)).
  - ◆ Koneen suurinta sallittua ilmanpainetta, 90 psig (6,2 baaria (e)), ei saa ylittää.
  - ◆ Puhalla mahdolliset epäpuhtaudet paineilmaletkusta, ennen kuin liität sen koneeseen.
  - ◆ Valitse oikeanmittainen ja -pituisen paineilmaletku. Jos tarvittava letkun pituus on enintään 30 metriä (100 feet), on käytettävä letkua, jonka sisähalkaisija on vähintään 3/4 in. (19 mm). Jos letkun pituus on 30–100 metriä (100–330 feet), on käytettävä letkua, jonka sisähalkaisija on vähintään 1 in. (25 mm).

## Jäätymisen estämismenetelmiä

Äänenvaimentimeen saattaa muodostua jäätä, kun ympäristön lämpötila on 32-50 °F (0-10 °C) ja suhteellinen kosteus on korkea.

Kone on suunniteltu siten, että äänenvaimentimeen ei muodostu jäätä. Tästä huolimatta jäätä voi erittäin kylmässä säässä alkaa muodostua äänenvaimentimeen.

Jään muodostumista voi estää myös seuraavilla toimenpiteillä:

- ◆ Käytä voiteluaineena CP Airolene Plus Tool Oil -öljyä. CP Airolene Plus Tool Oil estää jäätymistä.
- ◆ Käytä vedenerotinta.

## Vedenerottimen liittäminen

Käytä kompressorin ja vedenerottimen välillä riittävän pitkää letkua, jotta vesihöyry ennättää jäähtyä ja tiivistyä letkussa ennen tuloaan vedenerottimeen.

Jos ympäristön lämpötila on alle 32 °F (0 °C), letkun on oltava riittävän lyhyt, jotta vesi ei ehdi jäätymään letkussa ennen tuloaan vedenerottimeen.

## Voitelu

### Voitelu

Voitelu on tärkeää koneen toiminnan kannalta, ja se vaikuttaa merkittävästi koneen käyttöikänsä. Voitelulaitteen on kuljetettava oikea määrä öljyä, ja siksi laite on liitettävä ilmaletkuun. Valmistaja suosittelee Chicago Pneumaticin paineilmalinjan voitelulaitetta. Riittävän voitelun varmistamiseksi

voitelulaitteen ja paineilmasasaran välinen letku saa olla enintään 10 feet (3 m) mittainen.

Liian suuri määrä voiteluainetta voi aiheuttaa käynnistysongelmia, tehon heikkenemistä tai epätasaisen suorituskyvyn.

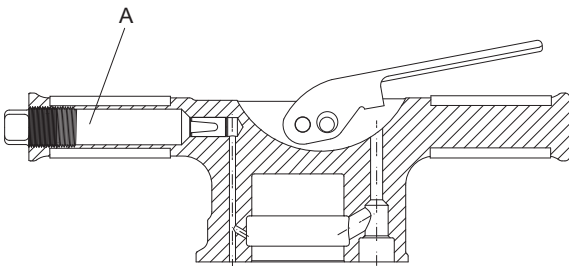
Käytä synteettistä voiteluainetta, esimerkiksi CP Airolene Plus Tool Oil -öljyä, tai mineraaliöljyä, joka vastaa ominaisuuksiltaan seuraavassa taulukossa olevia öljyalaatuuksia.

Voiteluaine	Lämpötila-alue °F (°C)	Viskositeetti
CP Airolene Plus Tool Oil -öljy	-4 – +120 (-20 – +50)	-
Paineilmatyökälyn öljy	-4 – +60 (-20 – +15)	100-150 SUS (ISO VG 22-32)
Paineilmatyökälyn öljy	+60 – +120 (+15 – +50)	225-350 SUS (ISO VG 46-68)

On suositeltavaa, että öljy sisältää ruosteenestoainetta.

### Voiteluaineen määrän tarkistaminen ja täyttäminen

- ♦ Öljyn määrä on hyvä tarkistaa joka päivä.
- ♦ Pyyhi öljytulpan ympäristö puhtaaksi ja irrota tulppa.
- ♦ Tarkista, että kiertet eivät ole vaurioituneita tai kuluneita.
- ♦ Osat, joiden kiertet ovat vaurioituneita tai kuluneita, on vaihdettava uusiin.
- ♦ Kaada voiteluainetta aukkoon (A).



- ♦ Kierrä tulppa tiukasti kiinni ja pyyhi ylimääräinen öljy pois.

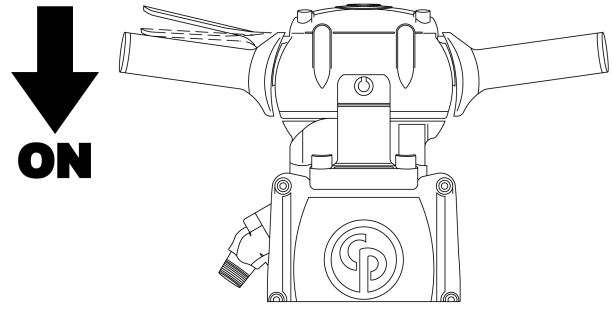
## Käyttö

### ▲ VAROITUS Tahaton käynnistäminen

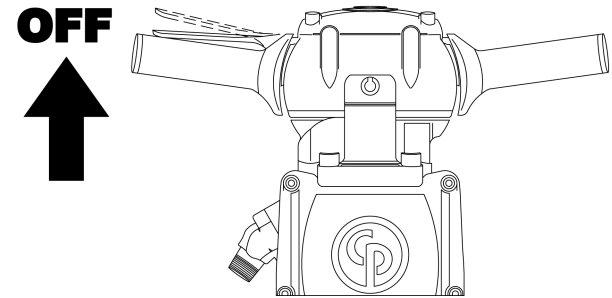
Koneen tahaton käynnistäminen saattaa aiheuttaa henkilövahingon.

- ▶ Koske liipaisimeen vasta käynnistäessäsi konetta.
- ▶ Opettele koneen sammuttaminen hätätilanteessa.
- ▶ Pysäytä kone välittömästi, jos koneen voimanlähteen käyttö estyy.

## Käynnistys ja pysäytys



Käynnistä paineilmakäyttöinen piikkivasara painamalla liipaisinta.



Pysäytä paineilmakäyttöinen piikkivasara päästämällä liipaisin. Liipaisin palautuu automaattisesti pysäytysasentoon.

## Käyttö

- ♦ Varmista, että iskettävät piikit ovat oikein paikallaan.
- ♦ Aseta piikkivasara piikin päälle ja varmista, että vasara ja piikki ovat samansuuntaiset.
- ♦ Seiso vakaassa asennossa pitäen jalat etäällä piikistä.
- ♦ Kohdista piikkiin tasainen paine ja ala vasarointi.
- ♦ Kun piikki on halutussa syvyydessä, vapauta liipaisin.
- ♦ Anna koneen tehdä työt, älä paina liikaa.
- ♦ Tarpeetonta joutokäyntiä tai koneen käyttöä ylösnostettuna on vältettävä.
- ♦ Kun konetta nostetaan, liipaisinta ei saa painaa.
- ♦ Tarkista säännöllisesti, että kone saa riittävästi voiteluainetta.

**HUOMAUTUS** Älä koskaan koske koneen käytön aikana piikkiin tai yritä pitää siitä kiinni.

## Poistuessasi tauolle

---

- ◆ Taukojen ajaksi kone on asetettava syrjään siten, että sitä ei voida käynnistää tahattomasti. Varmista, että kone on tasaisella alustalla, jotta se ei pääse kaatumaan.
- ◆ Poistuessasi pidemmälle tauolle tai lähtiessäsi työpaikalta: katkaise ensin tehonsyöttö ja tyhjennä sitten kone painamalla liipaisinta.

## Huolto

Säännöllinen kunnossapito on koneen turvallisen ja tehokkaan käytön perusedellytys. Noudata huolto-ohjeita tarkkaan.

- ◆ Ennen koneen huoltotöiden aloittamista puhdista se, jotta et altistu vaarallisille aineille. Katso kohta ”Pölystä ja savukaasuista aiheutuvat vaaratilanteet”
- ◆ Käytä ainoastaan hyväksytyjä varaosia. Muiden osien käytön aiheuttamat vahingot tai viat eivät kuulu takuun tai tuotevastuun piiriin.
- ◆ Puhdistaessasi mekaanisia osia liuottimella varmista, että työ tehdään voimassa olevien työsuojelumääräysten mukaisesti, ja huolehdi riittävästä tuuletuksesta.
- ◆ Jos koneelle on tehtävä suuria huoltotöitä, ota yhteyttä lähimpään valtuutettuun huoltokorjaamoon.
- ◆ Tarkista kunkin huollon jälkeen, että koneen tärinätaaso on normaali. Ellei näin ole, ota yhteyttä lähimpään valtuutettuun huoltokorjaamoon.

## Päivittäin

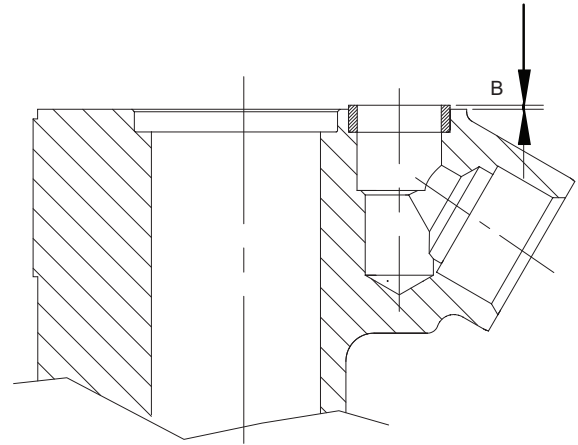
Ennen paineilmakoneiden huoltotöiden aloittamista katkaise paineilman tulo ja tyhjennä kone paineilmaista painamalla liipaisinta. Irrota sitten paineilmaletku koneesta.

- ◆ Puhdista ja tutki kone ja sen toiminnot päivittäin ennen työn aloittamista.
- ◆ Tutki kaikki mahdolliset vuoto- ja vauriokohteet.
- ◆ Tarkista, että imuilman kara on tiukassa ja että kynsiliiitin on ehjä.
- ◆ Vaihda vaurioituneet osat viipymättä.
- ◆ Vaihda kuluneet osat hyvissä ajoin.
- ◆ Varmista, että kaikki laitteiston osat, kuten letkut, vedenerottimet ja voitelulaitteet huolletaan oikein.

## Kokoamisohjeet

Työkalun purkamisen ja kokoamisen aikana on noudatettava tiettyä huolellisuutta, jotta tarkkuustyönä valmistetut osat eivät aiheuta toisiinsa purseita, naarmuja tai vääntymiä.

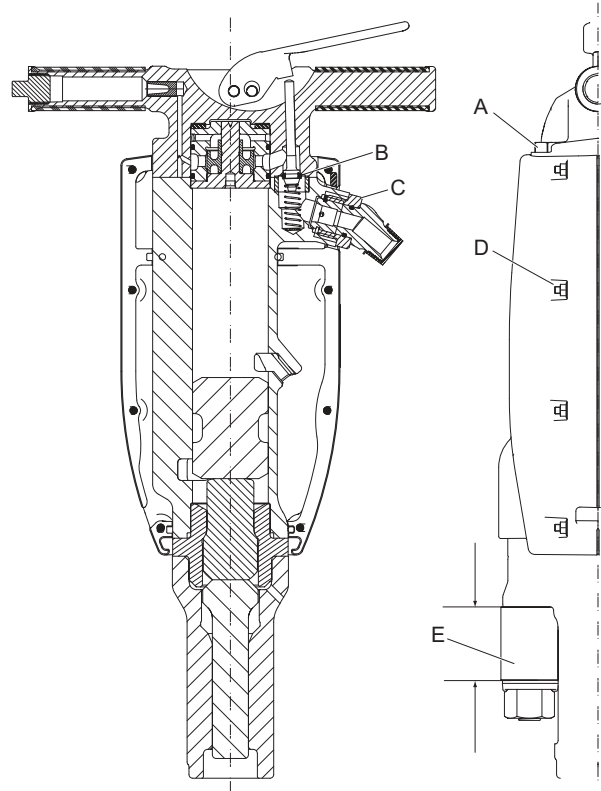
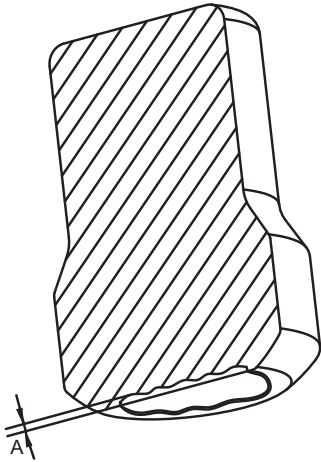
1. Tarkista ennen kokoonpanoa ja sen aikana, ettei metalliosissa näy purseita tai naarmuja.
2. Voitele ennen kokoamista kaikki O-renkaat ja öljyä kaikkien liikkuvien osien pinnat suosituksen mukaisella voiteluaineella.
3. Varo kokoamisvaiheessa päästävästä työkaluun likaa, erityisesti vastepintoihin.
4. Etupään pultit on kiristettävä niin, että puskurit puristuvat tasaisesti kohdassa ”Kiristysmomentit” ilmoitettuun asennuspituuteen.
5. Kun laite on koottu, kaada ilman tuloaukkoon suosituksen mukaista öljyä noin ½ oz. (1,5 cl) ja käytä piikkivasaraa hitaalla nopeudella noin 10–15 sekuntia. Antaessasi piikkivasaran käydä lattiaa vasten tee se hitaalla nopeudella, jotta mäntä, kärkikappale ja etupuoli eivät vaurioidu.
6. Ennen kuin kiinnität taustapuolen sylinteriin, tarkista, että tiiviste työnnyty noin (B) 1/16" (1,6 mm) ulos sylinterin etupinnasta.



## Määräaikaishuollot

Kone on purettava, kaikki osat on puhdistettava ja tarkastettava noin 150 käyttötunnin välein tai kahdesti vuodessa. Työ on annettava asianmukaisen koulutuksen saaneen, valtuutetun henkilöstön tehtäväksi.

1. Varmista, että liitäntäpinnat ovat puhtaita ja sileitä ja että pultit ovat tiukalla.
2. Puhdista ja tarkasta koneen sisällä olevat osat huolellisesti ja varmista, että niissä ei ole ruostetta, hiekkaa tai vieraita esineitä.
3. Puhdista ja tarkasta venttiilin osat huolellisesti. Varmista, että venttiili pääsee liikkumaan vapaasti.
4. Tarkista, että alasimen tukin iskupinnat ovat suorassa ja tasaisia. Jos tukki on kupera, tasoita reunat, mutta älä koske kiillotettuun pintaan alasimen osuessa teräsvarteen. Suurin sallittu kuluma on (A)  $\frac{1}{32}$  " (1 mm). Ks. alla oleva kuva.



- A. Kiristysmomentti: CP 1260 S SPDR ja CP 1290 S SPDR, 100 lbf.ft (135 Nm).
- B. Sylinterin tiivisteiden on oltava näkyvissä noin  $\frac{1}{16}$  " (1,6 mm) takaosan etupuolella.
- C. Kiristysmomentti: 150 lbf.ft (200 Nm). Käytä Loctite® 263™ -kierrelukitetta (Loctite on Henkel Corporationin rekisteröity tavaramerkki. 263 on Henkel Corporationin tavaramerkki).
- D. Kiristysmomentti, äänenvaimennin 6–7 lbf.ft (8–10 Nm).
- E. Puskurin asennuspituus.

## Kiristysmomentit

**HUOMAUTUS** Kun kynsi- tai muuta liitintä asennetaan karaan, on käytettävä Loctite® 263™- (Loctite on Henkel Corporationin rekisteröity tavaramerkki. 263 on Henkel Corporationin tavaramerkki) tai vastaavaa kierrelukitetta.

Malli	Min-maks-pituus in. (mm)
CP 1260 S SPDR	2.14 -2.19 (54.4–55.6)
CP 1290 S SPDR	2.55 –2,61 (64,8–66,2)

## Vianmääritys

Jos paineilmakäyttöinen kone ei käynnisty tai toimii pienellä teholla tai epätasaisesti, tarkista seuraavat.

- ◆ Tarkista, että paineilmakäyttöinen kone saa oikean määrän voiteluainetta. Liian suuri määrä voiteluainetta voi aiheuttaa käynnistysongelmia, tehon heikkenemistä tai epätasaisen suorituskyvyn.
- ◆ Tarkista, että paineilmajärjestelmästä tulee koneeseen riittävä ilmanpaine, jotta teho pysyy täysimääräisenä.
- ◆ Tarkista, että ilmaletkun mitoitus ja pituus ovat suositusten mukaiset. Katso kohta "Asennus".
- ◆ Jos on olemassa jäätymisvaara, tarkista, että koneen poistoaukoissa ei ole tukoksia.
- ◆ Jos koneen toiminta ei ole tyydyttävä näidenkään tarkistusten jälkeen, ota yhteyttä valtuutettuun huoltokorjaamoon.

## Varastointi

- > Puhdista kone asianmukaisesti ennen varastointia, jotta vältetään altistuminen vaarallisille aineille. Katso kohta "Pölystä ja savukaasuista aiheutuvat vaaratilanteet".
- > Kaada noin 1/2 oz (5 cl) öljyä suoraan imuilman karaan, liitä kone paineilman tuloliitäntään ja käytä konetta parin sekunnin ajan.
- > Säilytä konetta aina kuivassa paikassa.

## Käytöstä poisto

Käytetty kone käsitellään ja romutetaan siten, että mahdollisimman suuri määrä materiaalista voidaan kierrättää paikallisten määräysten mukaan ja ympäristöhaitat pidetään mahdollisimman pieninä.

## Tekniset tiedot

### Koneen tiedot

Tyyppi	Pään enimmäishalkaisija in. (mm)	Paino lb (kg)	Pituus in. (mm)	Iskutaajuus bpm (Hz)	Ilman kulutus cfm (l/s)
CP 1260 S SPDR	1¼ (44)	65 (29,5)	24,7 (625)	1300 (21,5)	73 (34,5)
CP 1290 S SPDR	1¼ (44)	84 (38)	26 (660)	1100 (18,3)	91 (43)

### Melu- ja värinäarvoilmoitus

Taattu äänenvoimakkuustaso **L<sub>w</sub>** EN ISO 3744:n mukaisesti täyttäen 2000/14/EY-direktiivin vaatimukset.

Äänenpainetaso, **L<sub>p</sub>** EN ISO 11203:n mukaisesti.

Tärinäarvo **A** ja mittausepävarmuus **B** on määritetty EN ISO 20643. Ks. taulukossa ”Melu- ja värinätiedot” ilmoitetut A-, B- jne. arvot.

Ilmoitetut arvot on mitattu laboratoriotyyppisissä kokeissa ohessa mainittuja direktiivejä tai standardeja noudattaen, ja arvot ovat riittävät vertailtaessa ominaisuuksia muiden, samojen direktiivien tai standardien mukaan testattujen työkalujen kanssa. Ilmoitetut arvot eivät ole riittävät riskien arvioinneissa, ja yksittäisissä työkohteissa voidaan mitata korkeampia arvoja. Todelliset altistumisarvot ja yksittäisen käyttäjän kokemat haitat ovat tapauskohtaisia, ja ne riippuvat käyttäjän työtapojen, työkappaleen ja työkohteen suunnittelun ohella altistumisen kestoajasta sekä käyttäjän fyysisestä kunnosta ja koneen kunnosta.

Atlas Copco Construction Tools AB ei ole lakisääteisessä vastuussa tilanteissa, joissa käytetään ohessa esitettyjä arvoja todellisten tapauskohtaisten arvojen asemesta tehtäessä riskianalyysejä työpaikkakohteessa, johon emme voi vaikuttaa millään tavoin.

Tämä työkalu voi aiheuttaa käsiin ja käsivarsiin kohdistuvasta värinästä johtuvaa ns. HAVS-syndroomaa (hand-arm vibration syndrome), ellei koneesta pidetä työn aikana kiinni asianmukaisesti. Käsiin ja käsivarsiin kohdistuvaa värinää käsittelevän EU-oppaan voi ladata verkko-osoitteesta

<http://www.humanvibration.com/humanvibration/EU/VIBGUIDE.html>

Suosittelemme käyttöön terveystarkastusohjelmaa, jolla voidaan havaita mahdolliset värinäpäästöille altistumisen oireet jo niiden alkuvaiheessa. Siten voidaan ryhtyä asianmukaisiin työnjohdollisiin toimenpiteisiin työperäisten sairauksien estämiseksi.

### Melu- ja värinätiedot

Tyyppi	Melu		Värinä	
	Äänenpainetaso	Ääniteho	Kolmen akselin arvot	
	Ilmoitetut arvot		Ilmoitetut arvot	
	EN ISO 11203	2000/14/EY	EN ISO 20643	
	<b>L<sub>p</sub></b> r=1m dB(A) suht. 20 µPa	<b>L<sub>w</sub></b> taattu dB(A) suht. 1 pW	<b>A</b> m/s <sup>2</sup> arvo	<b>B</b> m/s <sup>2</sup> hajonta
CP 1260 S SPDR	97	110	20,7	2,5
CP 1290 S SPDR	98	111	18,4	2,3



## CE-vaatimustenmukaisuusvakuutus

### CE-vaatimustenmukaisuusvakuutus (EY-direktiivi 2006/42/EY)

Me, Atlas Copco Construction Tools AB, vakuutamme täten, että alla luetellut koneet täyttävät EY-direktiivin 2006/42/EY (konedirektiivi) ja 2000/14/EY (meludirektiivi) määräykset sekä alla mainitut yhdenmukaistetut standardit.

Käsi­käyt­toiset paineilma piikkivasarat	Taattu äänitehotaso [dB(A)]	Mitattu äänitehotaso [dB(A)]	Pmax (baaria)
CP 1260 S SPDR	110	108	6,2
CP 1290 S SPDR	111	109	6,2

#### Sovelletut yhdenmukaistetut standardit:

- ◆ EN ISO 11148-4

#### Muut sovelletut standardit:

- ◆ Lloyds Register Quality Assurance, NoBo no.0088

#### Teknisten asiakirjojen valtuutettu edustaja:

Per Forsberg  
Atlas Copco Construction Tools AB  
Dragonvägen 2  
Kalmar

#### Varatoimitusjohtaja, suunnittelu ja tuotekehitys:

Erik Sigfridsson

#### Valmistaja:

Atlas Copco Construction Tools AB  
391 27 Kalmar  
Sweden

#### Paikka ja aika:

Kalmar, 2012-11-30

## DANSK

## Indhold

<b>Indledning</b> .....	155
<b>Om sikkerhedsinstruktioner og betjeningsvejledning</b> .....	155
<b>Sikkerhedsinstruktioner</b> .....	156
Sikkerhed, signalord.....	156
Personlige forholdsregler og kvalifikationer.....	156
Montering, forholdsregler.....	156
Betjening, forholdsregler.....	157
Vedligeholdelse, forholdsregler.....	160
Opbevaring, forholdsregler.....	160
<b>Oversigt</b> .....	161
Konstruktion og funktion.....	161
Hovedkomponenter.....	161
Mærkater.....	161
<b>Montering</b> .....	163
Slinger og tilslutninger.....	163
Metoder til forhindring af frysning.....	163
Tilslutning af en vandudskiller.....	163
Smøring.....	163
<b>Betjening</b> .....	164
Start og stop.....	164
Betjening.....	164
Når der holdes pause.....	164
<b>Vedligeholdelse</b> .....	164
Hver dag.....	165
Monteringsinstruktioner.....	165
Periodisk vedligeholdelse.....	165
Tilspændingsmomenter.....	166
<b>Fejlfinding</b> .....	167
<b>Opbevaring</b> .....	167
<b>Bortskaffelse</b> .....	167
<b>Tekniske data</b> .....	168
Maskinens data.....	168
Støj- og vibrationsdeklaration.....	168
Støj- og vibrationsdata.....	168
<b>EF-overensstemmelseserklæring</b> .....	169
EF-overensstemmelseserklæring (EF-direktiv 2006/42/EF).....	169

## Indledning

Tak fordi De valgte Chicago Pneumatic produkter. I mere end hundrede år har Chicago Pneumatic produkterne været kendt høj ydelse og unik design indenfor luftdrevet værktøjer.

Idag er Chicago Pneumatic repræsenteret globalt med et komplet program af luftdrevet og hydrauliske værktøjer der inkluderer nedbrydningshamre, borehamre, mejselhamre, ler- hamre, nitte hamre, dykpumper, kapsave og meget mere.

Chicago Pneumatic har altid været fokuseret på levering af stærke og pålidelige produkter . der er lette at vedligeholde og giver kunden meget for pengene.

Læs mere på [www.cp.com](http://www.cp.com)

Atlas Copco Construction Tools AB  
Box 703  
391 27 Kalmar  
Sweden

## Om sikkerhedsinstruktioner og betjeningsvejledning

Formålet med instruktionerne er at give Dem viden om, hvordan det trykluftdrevne værktøj til montering af spiger anvendes effektivt og sikkert. Vejledningen indeholder desuden gode råd og giver anvisninger på regelmæssig vedligeholdelse af det trykluftdrevne værktøj til montering af spiger.

Det er nødvendigt, at De læser denne vejledning omhyggeligt og forstår alle anvisningerne, før De anvender det trykluftdrevne værktøj til montering af spiger første gang.

## Sikkerhedsinstruktioner

For at reducere risikoen for alvorlig tilskadecomst eller død for Dem selv eller andre skal De læse og forstå sikkerhedsinstruktionerne og betjeningsvejledningen, inden De arbejder med, reparerer, vedligeholder eller udskifter tilbehør på maskinen.

Slå sikkerhedsinstruktionerne og betjeningsvejledningen op på de steder, hvor der arbejdes med maskinen, udlevér kopier til Deres ansatte, og sørg for, at alle læser sikkerhedsinstruktionerne og betjeningsvejledningen, før de arbejder med eller vedligeholder maskinen.

Desuden bør operatøren, eller dennes arbejdsgiver, vurdere de specifikke risici, som kunne forekomme i forbindelse med brug af maskinen.

## Sikkerhed, signalord

Signalordene Fare, Advarsel og Forsigtig har følgende betydninger:

<b>FARE</b>	Angiver en farlig situation, som, hvis den ikke forhindres, vil medføre død eller alvorlig tilskadecomst.
<b>ADVARSEL</b>	Angiver en farlig situation, som, hvis den ikke forhindres, kan medføre død eller alvorlig tilskadecomst.
<b>FORSIGTIG</b>	Angiver en farlig situation, som, hvis den ikke forhindres, kan medføre mindre eller moderat tilskadecomst.

## Personlige forholdsregler og kvalifikationer

Kun kvalificeret og trænet personale må betjene og vedligeholde maskinen. De skal rent fysisk være i stand til at håndtere godset, vægten og værktøjets kraft. Brug altid sund fornuft og god dømmekraft.

### Personligt beskyttelsesudstyr

Anvend altid godkendt beskyttelsesudstyr. Operatører og alle andre personer i arbejdsområdet skal være iført beskyttelsesudstyr, herunder som et minimum:

- > Beskyttelseshjelm
- > Høreværn
- > Slagfaste beskyttelsesbriller med sidebeskyttelse
- > Åndedrætsværn når påkrævet
- > Beskyttelseshandsker
- > Passende sikkerhedsstøvler

- > Passende arbejdsdragt eller lignende beklædning (ikke løst siddende tøj), som dækker arme og ben.

### Narkotika, alkohol eller medicin

#### ▲ ADVARSEL Narkotika, alkohol eller medicin

Narkotika, alkohol eller medicin kan påvirke Deres dømmekraft og koncentrationsevne. Nedsat reaktionsevne og forkerte vurderinger kan medføre alvorlige ulykker eller dødsfald.

- ▶ Brug aldrig maskinen når De er træt eller under indflydelse af narkotika, alkohol eller medicin.
- ▶ Ingen personer, der er under indflydelse af narkotika, alkohol eller medicin, må betjene maskinen.

## Montering, forholdsregler

#### ▲ FARE Piskende luftslange

En trykluftslange der går løs, kan piske frem og tilbage og forårsage personskade eller dødsfald. Sådan reduceres risikoen:

- ▶ Kontrollér, at trykluftslangen og -forbindelserne ikke er beskadigede, udskift dem om nødvendigt.
- ▶ Kontrollér, at alle tryklufttilslutninger er sat ordentligt fast.
- ▶ Bær aldrig en trykluftmaskine i luftslangen.
- ▶ Forsøg aldrig at tage en trykluftslange af, der er under tryk. Sluk først for trykluftten på kompressoren, og udluft derefter maskinen ved at aktivere start/stop-anordningen.
- ▶ Brug ikke lynkoblinger på værktøjsåbningen. Brug slangekoblinger med gevind af hærdet stål (eller materiale med tilsvarende stødsikkerhed).
- ▶ Når der bruges universale spiralkoblinger (klokoblinger), anbefaler vi, at der anbringes låsetapper og piskestop-sikkerhedskabler for beskytte mod et muligt forbindelsessvigt mellem slange og værktøj eller slange og slange.
- ▶ Ret aldrig en trykluftslange mod Dem selv eller andre. For at undgå risikoen for personskader, må trykluft aldrig benyttes til at blæse for eksempel støv, snavs eller lignende af tøjet.

## Betjening, forholdsregler

### ▲ FARE Eksplosionsfare

Hvis et spiger kommer i kontakt med sprængstoffer eller eksplosive gasser, kan der ske en eksplosion. Når der arbejdes på visse materialer og når der bruges visse materialer, kan der opstå gnister og antændelse. Eksplosioner kan føre til alvorlige skader eller død.

- ▶ Arbejd aldrig med maskinen i et eksplosionsfarligt miljø.
- ▶ Brug aldrig maskinen i nærheden af brændbare materialer, dampe eller støv.
- ▶ Kontrollér, at der ikke findes skjulte kilder af gas eller sprængstoffer.

### ▲ ADVARSEL Uventede bevægelser

Værktøjet til montering af spiger er udsat for kræfter, når det er i brug. Kræfterne kan forårsage pludselige og uventede bevægelser, der kan medføre kvæstelser. Man kan endvidere komme til skade, hvis man mister balancen eller snubler.

- ▶ Sørg for altid at stå sikkert med en skulderbredde mellem fødderne og kropsvægten ligeligt fordelt.
- ▶ Efterse altid udstyret før brug. Anvend aldrig udstyret, hvis De har mistanke om, at det er beskadiget.
- ▶ Sørg for at håndtagene er rene og fri for fedt og olie.
- ▶ Hold hænder og fødder på afstand fra spigeret.
- ▶ Stå fast, og hold altid fast i maskinen med begge hænder.
- ▶ Start aldrig maskinen, mens den ligger på jorden.
- ▶ Undlad at „ride“ på maskinen med det ene ben over håndtaget.
- ▶ Slå eller misbrug aldrig udstyret.
- ▶ Vær opmærksom og se på det, De laver.

### ▲ ADVARSEL Støv- og damprisiko

Støv og/eller damp, som opstår eller spredes ved brug af denne maskine kan forårsage alvorlig og permanent sygdom, lidelse eller anden legemlig skade (for eksempel silikose eller anden irreversibel lungesygdom, som kan være livsfarlig, kræft, fødselsdefekter og/eller hudinflammationer).

Nogle slags støv og damp, som opstår ved boring, brydning, hamring, savning, slibning og andre byggeaktiviteter, indeholder substanser, som staten Californien og andre myndigheder har erklæret ansvarlige for åndedrætssygdomme, kræft, fødselsdefekter eller anden forplantningsskade. Nogle eksempler på sådanne substanser er:

- > Krystallinsk kvarts, cement og andre murværksmaterialer.
- > Arsenik og krom fra kemisk behandlet gummi.
- > Bly fra blybaseret maling.

Stol ikke på, hvad du ser, når du vil afgøre, om der er støv eller damp i luften, for støv og damp i luften kan være usynlig for det blotte øje.

Gør følgende for at reducere risikoen for at blive udsat for støv og damp:

- ▶ Foretag en arbejdspladsspecifik risikovurdering. Risikovurderingen skal omfatte støv og damp, som opstår ved brug af maskinen, og eventuelt allerede eksisterende generende støv.
- ▶ Anvend passende teknikker til at minimere mængden af støv og damp i luften og en ophobning af det på udstyr, overflader, tøj og legemsdele. Eksempler på teknikker: udblæsningsventilation og støvopsamlingsystemer, vandforstøvere og vådboring. Kontroller støv og damp, der hvor det opstår, hvis det er muligt. Sørg for, at de forskellige anordninger er monteret korrekt, vedligeholdes og bruges rigtigt.
- ▶ Bær, vedligehold og brug åndedrætsværn rigtigt som anvist af Deres arbejdsgiver og som det kræves af arbejdssundheds- og sikkerhedsforskrifterne. Åndedrætsværnet skal være effektivt for den type substanser, det drejer sig om (og om muligt godkendt af en kompetent offentlig myndighed).
- ▶ Arbejd i et godt ventileret område.
- ▶ Hvis maskinen har en udblæsning, skal den ledes således, at genen ved støv reduceres i den støvfylde omgivelse.
- ▶ Brug og vedligehold maskinen som anbefalet i sikkerhedsinstruktionerne og betjeningsvejledningen

- ▶ Vælg, vedligehold og udskift forbrugsvarer/indsætningsværktøjer/ andet tilbehør som anbefalet i sikkerhedsinstruktionerne og betjeningsvejledningen. Forkert valg eller mangel på vedligeholdelse af forbrugsvarer/indsætningsværktøjer/ andet tilbehør kan forårsage unødvendig forøgelse af støv eller damp.
- ▶ Bær vaskbart eller engangsbeskyttelsestøj på arbejdsstedet, og tag bad og skift til rent tøj, før arbejdspladsen forlades for derved at begrænse påvirkning fra støv og damp på Dem selv, andre mennesker, biler, hjem og andre områder.
- ▶ Undgå at spise, drikke og ryge på områder, hvor der er støv og damp.
- ▶ Vask Deres hænder og ansigt omhyggeligt så hurtigt som muligt, efter at de har forladt det eksponerede område, og altid inden De spiser, drikker, ryger eller har kontakt med andre mennesker.
- ▶ Overhold alle relevante love og bestemmelser, herunder arbejdssundheds- og sikkerhedsforskrifter.
- ▶ Deltag i de luftovervågningsprogrammer, helbredsundersøgelser og sundheds- og sikkerhedstræningsprogrammer, som Deres arbejdsgiver eller erhvervsorganisationer tilbyder i henhold til arbejdssundheds- og sikkerhedsforskrifter og anbefalinger. Rådfør Dem med en læge, som har erfaring med relevant arbejdsmedicin.
- ▶ Samarbejd med Deres arbejdsgiver og erhvervsorganisation for at reducere udsættelsen for støv og damp på arbejdspladsen og for at reducere risiciene. Effektive sundheds- og sikkerhedsprogrammer, foranstaltninger og fremgangsmåder til beskyttelse af arbejdstagere og andre mod farlig udsættelse for støv og damp skal etableres og implementeres baseret på rådgivning fra sundheds- og sikkerhedseksperter. Rådfør Dem med eksperter.
- ▶ Rester af farlige substanser på maskinen kan udgøre en risiko. Maskinen skal rengøres omhyggeligt, før der udføres vedligeholdelsesarbejde på den.

**▲ ADVARSEL Projektiler**

Fejl på arbejdsemnet, på tilbehør eller på selve maskinen kan frembringe projektiler med høj hastighed. Når der arbejdes, kan splinter eller andre partikler fra det bearbejdede materiale blive til projektiler og forårsage personskade, hvis de rammer operatøren eller andre personer. Sådan reduceres risikoen:

- ▶ Brug godkendt personligt beskyttelsesudstyr og sikkerhedshjelm, herunder stødresistent øjenværn med sidebeskyttelse.
- ▶ Sørg for, at uautoriserede personer ikke får adgang til arbejdsområdet.
- ▶ Hold arbejdsstedet rent og frit for fremmedlegemer.
- ▶ Sørg for, at spigeret er sikkert fastgjort.

**▲ ADVARSEL Fare ved spigerinddrivning**

Hvis spigeret ikke er sikkert fastgjort i arbejdsemnet, før maskinen betjenes, er der risiko for personkvæstelser.

- ▶ Sørg altid for at fastgøre spigeret før maskinen betjenes.
- ▶ Hold eller rør aldrig ved spigeret ved inddrivning.

**▲ ADVARSEL Risiko for at glide, snuble og falde**

Der er risiko for at glide, snuble eller falde, for eksempel ved at snuble over slanger eller andre genstande. Man kan komme til skade ved at glide, snuble eller falde. Sådan reduceres risikoen:

- ▶ Sørg for, at der ikke findes slanger eller andre genstande på Deres eller andre personers vej.
- ▶ Sørg for, at De altid står sikkert med en skulderbredde mellem fødderne og kropsvægten ligeligt fordelt.

**▲ ADVARSEL Risiko ved manglende bevægelse**

Når De bruger maskinen til at udføre arbejdsrelaterede opgaver, oplever De måske ubehag i hænder, arme, skuldre, nakke eller andre dele af kroppen.

- ▶ Indtag en komfortabel kropsstilling, bibehold et sikkert fodfæste og undgå akavede uafbalancerede kropsstillinger.
- ▶ Det hjælper med til at undgå ubehag og træthed, hvis man skifter stilling under lange arbejdsopgaver.
- ▶ I tilfælde af vedvarende eller tilbagevendende symptomer, skal en kvalificeret specialist konsulteres.

**▲ ADVARSEL Fare pga. vibrationer**

Normal og korrekt brug af maskinen udsætter operatøren for vibrationer. Udsættes man regelmæssigt og hyppigt for vibrationer, kan det forårsage eller bidrage til at forværre skader eller sygdomme i operatørens fingre, hænder, håndled, arme, skuldre og/eller nerver og blodtilførsel eller andre dele af kroppen, også svækkende og/eller permanente skader eller sygdomme, som kan udvikle sig gradvist over perioder på uger, måneder eller år. Sådanne skader eller sygdomme kan også være kredsløbsskader, skader på nervesystemet, ledsår og muligvis skader på andre af kroppens strukturer. Hvis der på noget tidspunkt optræder følelsesløshed, vedvarende tilbagevendende ubehag, brændende fornemmelse, stivhed, dunken, snurren, smerter, klodsethed, svækket gribeevne, hvidfarvning af huden eller andre symptomer, uanset om det sker under arbejde med maskinen eller ikke, må der ikke længere arbejdes med maskinen, arbejdsgiveren skal informeres og der skal søges lægehjælp. Fortsat brug af maskinen efter, at der har været den slags symptomer, kan øge risikoen for, at symptomerne bliver mere alvorlige og/eller permanente. Brug og vedligehold maskinen som anbefalet i denne vejledning, så der undgås unødigt forøgelse af vibrationer.

Følgende kan være med til at reducere vibrationspåvirkningen for operatøren:

- ▶ Lad værktøjet gøre arbejdet. Hold så let på maskinen, som behørig kontrol og sikker betjening tillader.
- ▶ Hvis maskinen har vibrationsabsorberende håndtag, skal de holdes i en midterposition og bør ikke presses til endestop.
- ▶ Når slagfunktionen er aktiveret, bør Deres eneste kontakt med maskinen være Deres hænder på håndtaget eller håndtagene. Undgå enhver anden kontakt, for eksempel at støtte nogen del af kroppen mod maskinen eller at læne Dem mod maskinen i et forsøg på at forstærke slagkraften. Det er også vigtigt, at start- og stopanordningen ikke er tilkoblet, når værktøjet trækkes væk fra den flade, der arbejdes på.
- ▶ Sørg for, at det indsatte værktøj er godt vedligeholdt (herunder dets skæreevne, hvis det er et skærende værktøj), ikke er slidt, og at det har den rigtige størrelse. Hvis der anvendes indsætningsværktøjer, som ikke er ordentligt vedligeholdt, eller som er slidte eller ikke har den rigtige størrelse, tager det længere tid at udføre arbejdet (og længere vibrationspåvirkning), som kan medføre eller bidrage til, at operatøren udsættes for højere vibrationsniveauer.

- ▶ Indstil straks arbejdet, hvis maskinen pludseligt begynder at vibrere kraftigt. Før arbejdet genoptages, skal årsagen til de forstærkede vibrationer findes og fjernes.
- ▶ Undlad altid at tage fat i, holde om eller røre ved det indsatte værktøj, når maskinen er i brug.
- ▶ Tag imod sundhedskontrol eller -overvågning, helbredsundersøgelser og træningsprogrammer, når det tilbydes af Deres arbejdsgiver, og når det er påbudt ved lov.
- ▶ Tag varmt tøj på og hold Deres hænder varme og tørre, når De arbejder i kulde.
- ▶ Udsugningsluften er stærkt afkølet og må ikke komme i kontakt med operatøren. Led altid udsugningsluften bort fra hænder og krop.

Se „Støj- og vibrationsdeklarationen“ for maskinen, herunder også de deklarerede vibrationsværdier. Disse informationer findes sidst i sikkerhedsinstruktionerne og betjeningsvejledningen.

- ◆ Overhold det anbefalede lufttryk ved arbejde med maskinen. Hvis der arbejdes med et højere eller lavere lufttryk, kan det resultere i højere vibrationsniveauer.

**▲ FARE Elektrisk fare**

Maskinen er ikke elektrisk isoleret. Hvis maskinen kommer i kontakt med elektricitet, kan det resultere i alvorlige skader eller død.

- ▶ Brug aldrig maskinen i nærheden af en elektrisk ledning eller anden elektrisk kilde.
- ▶ Kontrollér, at der ikke er skjulte ledninger eller andre elektricitetskilder i arbejdsområdet.

**▲ ADVARSEL Fare ved skjulte genstande**

Når der arbejdes, udgør skjulte ledninger og rør en fare, som kan resultere i alvorlige skader.

- ▶ Kontrollér materialernes sammensætning før arbejdsstart.
- ▶ Pas på skjulte kabler og rør, for eksempel til elektricitet, telefon, vand, gas og spildevand etc.
- ▶ Hvis det ser ud til, at spigeret har ramt en skjult genstand, skal der straks slukkes for maskinen.
- ▶ Før der fortsættes, skal det sikres, at der ikke er fare på færde.

**▲ ADVARSEL    Utilsigtet start**

Utilsigtet start af maskinen kan forårsage skader.

- ▶ Hold hænderne væk fra start- og stopanordningen, indtil De er klar til at starte maskinen.
- ▶ Lær hvordan maskinen slås fra, hvis der opstår en nødsituation.
- ▶ Slip straks start- og stopanordningen i tilfælde af, at kraftforsyningen afbrydes.
- ▶ Før der foretages nogen form for vedligeholdelse, installation, eftersyn eller rensning skal lufttilførslen slukkes, maskinen udluftes ved at aktivere start-/stopanordningen og maskinen tages fra kraftforsyningen.

**▲ ADVARSEL    Støjrisiko**

Høje støjniveauer kan forårsage permanent og invaliderende høretab og andre problemer, som f.eks. tinnitus (ringende, summende, fløjtende eller brummende lyde i ørerne). For at reducere risikoen og forebygge unødvendig forøgelse af støjniveauer, er det:

- ▶ Vigtigt med en risikovurdering af disse farer og implementering af passende kontrolforanstaltninger.
- ▶ Betjen og vedligehold maskinen som anbefalet i denne vejledning.
- ▶ Hvis maskinen har en lyddæmper kontrolleres, at den sidder rigtigt og er i god driftstilstand.
- ▶ Brug altid høreværn.

## **Vedligeholdelse, forholdsregler**

---

**▲ ADVARSEL    Maskinmodifikation**

Enhver modifikation af maskinen kan medføre personskaade.

- ▶ Modificér aldrig maskinen. Modificerede maskiner dækkes ikke af garanti eller produktansvar.
- ▶ Anvend altid originale dele og tilbehør.
- ▶ Udskift omgående beskadigede dele.
- ▶ Udskift slidte komponenter i god tid.

## **Opbevaring, forholdsregler**

---

- ◆ Opbevar maskinen et sikkert sted, hvor den er uden for børns rækkevidde og låst inde.



## Oversigt

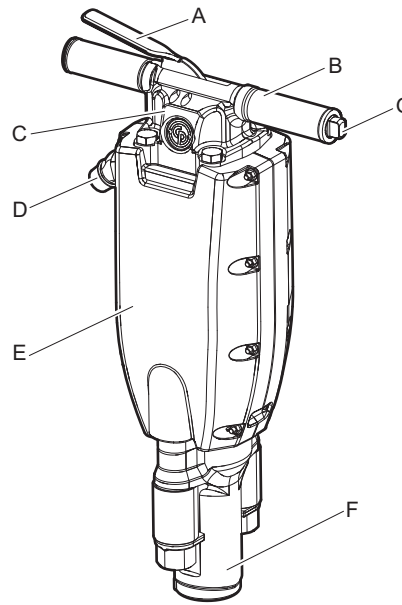
For at reducere risikoen for alvorlig tilskadekomst eller død for Dem selv eller andre skal De læse og forstå sikkerhedsinstruktionerne og betjeningsvejledningen, inden De arbejder med, reparerer, vedligeholder eller udskifter tilbehør på maskinen.

## Konstruktion og funktion

CP 1260 S SPDR og CP 1290 S SPDR er beregnet til spigerinddrivning i jernbaner, telt, konstruktioner og fabriksvedligeholdelsesapplikationer.

De har et åbent forstykke, som optager forskellige genstande til inddrivning. Den maksimale hoveddiameter af genstanden er 1 3/4 in. (44 mm). De trykluftdrevne værktøjer til montering af spiger er kun beregnet til vertikal brug. Ingen anden anvendelse er tilladt.

## Hovedkomponenter

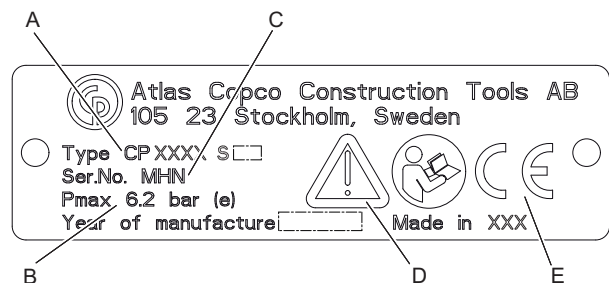


- A. Start- og stopanordning
- B. Håndtag
- C. Bagstykke
- D. Luftindtag
- E. Lyddæmper
- F. Forstykke
- G. Smøreanordning

## Mærkater

Maskinen er forsynet med mærkater, som indeholder vigtige informationer om personlig sikkerhed og maskinens vedligeholdelse. Mærkaterne skal være i en sådan tilstand, at de nemt kan læses. Nye mærkater kan bestilles fra reservedelslisten.

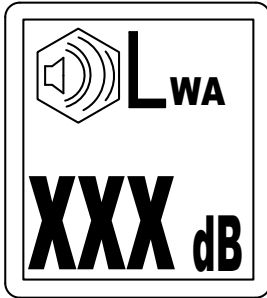
## Typeskilt



- A. Maskintype
- B. Maksimalt tilladt tryk for tryklufforsyning
- C. Serienummer

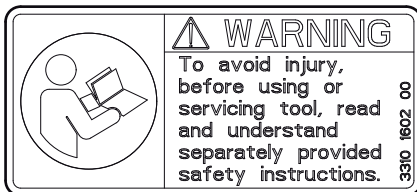
- D. Advarselssymbolet sammen med bogsymbolet betyder, at brugeren skal læse sikkerhedsinstruktionerne og betjeningsvejledningen, før maskinen anvendes første gang.
- E. CE-symbolet betyder, at maskinen er EU-godkendt. Se EU-deklarationen, som følger med maskinen, for yderligere information. Hvis CE-symbolet mangler, betyder det, at maskinen ikke er EU-godkendt.

### **Støjniveau-mærkat**



Mærkatens angiver det garanterede støjniveau i henhold til EU-direktiv 2000/14/EF. Se „Tekniske data“ vedrørende det nøjagtige støjniveau.

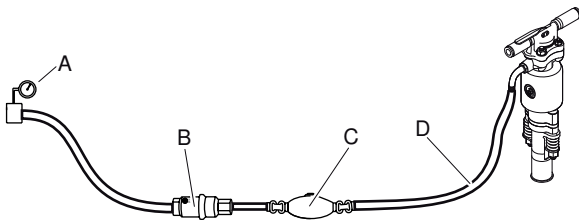
### **Sikkerhedsmærkat**



For at undgå tilskadekomst skal de separat udleverede sikkerhedsinstruktioner læses og forstås, inden værktøjet bruges eller vedligeholdes.

## Montering

### Slanger og tilslutninger



- A. Trykluftkilde
  - B. Vandudskiller (ekstraudstyr)
  - C. Smøreanordning (ekstraudstyr)
  - D. Maks. 10 feet (3 meter) trykluftslange mellem smøreanordningen og maskinen.
- ♦ Kontrollér, at De anvender det anbefalede arbejdstryk, 87 psig (6 bar (e)).
  - ♦ Det maksimalt tilladte lufttryk, 90 psig (6,2 bar (e)), må ikke overskrides.
  - ♦ Blæs eventuelle urenheder ud af trykluftslangen, før den sættes til maskinen.
  - ♦ Vælg en trykluftslange i korrekt dimension og længde. Slanger på op til 100 feet (30 meter) bør have en indvendig minimumsdiameter på  $\frac{3}{4}$  in. (19 mm). Slanger på mellem 100 og 330 feet (30 og 100 meter) bør have en indvendig minimumsdiameter på 1 in. (25 mm).

### Metoder til forhindring af frysning

Isdannelse i lyddæmperen kan forekomme, når den omgivende lufts temperatur er 32-50 °F (0-10 °C) og den relative luftfugtighed er høj.

Maskinen er konstrueret til at undgå isdannelse i lyddæmperen. Alligevel kan der under ekstreme forhold dannes is i lyddæmperen.

Følgende kan gøres for at modvirke risikoen for isdannelse:

- ♦ Brug CP Airolene Plus Tool Oil som smøremiddel. CP Airolene Plus Tool Oil modvirker tilfrysning.
- ♦ Brug en vandudskiller.

### Tilslutning af en vandudskiller

Der skal anvendes en tilstrækkeligt lang slange mellem kompressoren og vandudskilleren for at sikre, at vanddampen afkøles og kondenseres i slangen, før den når frem til vandudskilleren.

Hvis den omgivende temperatur er under 32°F (0°C), skal slangen være kort nok til at forhindre, at vandet fryser i slangen, før det når frem til vandseparatoren.

### Smøring

#### Smøring

Smøremidlet er vigtigt for maskinens funktion og har stor indvirkning på maskinens levetid. For at sikre tilførsel af den korrekte mængde olie, bør en smøreanordning tilkobles luftslangen. Brug af Chicago Pneumatic luftledningsmørenippel anbefales. God smøring sikres ved, at luftslangen mellem smøreanordningen og trykluftværktøjet ikke er længere end 10 feet (3 m).

For meget smøremiddel kan give startproblemer, mangel på kraft eller ujævn ydelse.

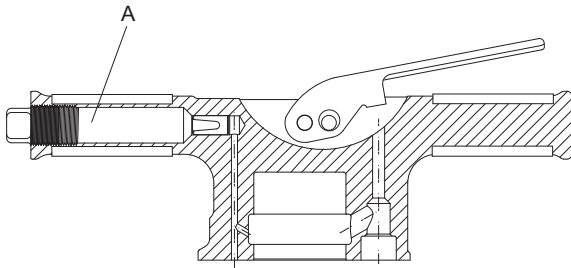
Brug et syntetisk smøremiddel som for eksempel CP Airolene Plus Tool Oil eller mineralsk olie med de egenskaber, der anbefales i nedenstående tabel.

Smøremiddel	Temperatur område °F (°C)	Viskositet
CP Airolene Plus Tool Oil	-4 til +120 (-20 til +50)	-
Olie til trykluftsværktøj	-4 til +60 (-20 til +15)	100-150 SUS (ISO VG 22-32)
Olie til trykluftsværktøj	+60 til +120 (+15 til +50)	225-350 SUS (ISO VG 46-68)

Det anbefales, at olien indeholder et rusthæmmende middel.

#### Kontrol af niveau og påfyldning af smøremiddel

- ♦ Oliestanden skal kontrolleres hver dag.
- ♦ Tør af rundt om olieproppen og fjern den.
- ♦ Kontrollér, at gevindene ikke er beskadigede eller nedslidte.
- ♦ Enhver del med beskadigede eller slidte gevind skal udskiftes.
- ♦ Påfyld smøremiddel i (A).



- ◆ Spænd proppen godt til og aftør al overskydende olie.

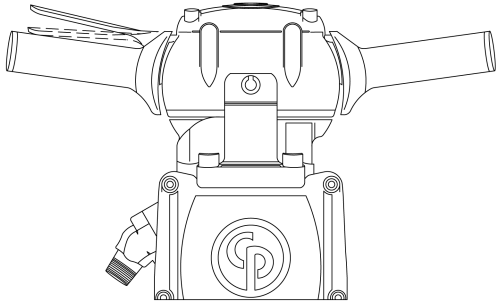
## Betjening

### ▲ ADVARSEL Utilsigtet start

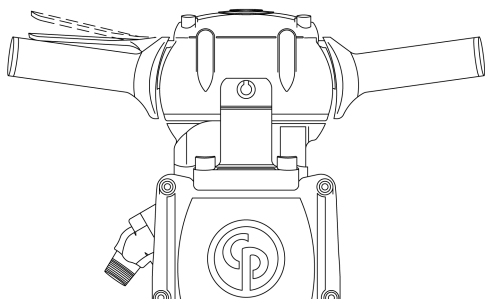
Utilsigtet start af maskinen kan forårsage skader.

- ▶ Hold hænderne væk fra start/stop-anordningen, indtil De er klar til at starte maskinen.
- ▶ Lær hvordan maskinen slås fra, hvis der opstår en nødsituation.
- ▶ Stands maskinen omgående i tilfælde af afbrydelse af kraftforsyningen.

## Start og stop



Start det trykluftdrevne værktøj til montering af spiger ved at trykke start-/stopanordningen ned.



Stop det trykluftdrevne værktøj til montering af spiger ved at slippe start-/stopanordningen. Start-/stopanordningen vender automatisk tilbage til stopstillingen.

## Betjening

- ◆ Sørg for, at spiger der skal inddrives er korrekt anbragt.
- ◆ Anbring værktøjet til montering af spiger oven på spigeret og ret værktøjet til montering af spiger ind med spigeret.
- ◆ Stå i en stabil stilling, med fødderne godt væk fra spigeret.
- ◆ Overfør et jævnt tryk på spigeret og start inddrivning.
- ◆ Slip start-/stopanordningen når spigeret sidder korrekt.
- ◆ Lad maskinen gøre arbejdet, og undgå at presse for hårdt.
- ◆ Enhver form for kørsel i tomgang eller arbejde med løftet maskine, bør undgås.
- ◆ Når maskinen er løftet, må start-/stopanordningen ikke betjenes.
- ◆ Kontroller regelmæssigt, at maskinen er velsmurt.

**BEMÆRK** Hold eller rør aldrig ved spigeret ved inddrivning.

## Når der holdes pause

- ◆ Når De holder pause, skal maskinen altid opbevares på en måde, så der ikke er risiko for, at den startes utilsigtet. Sørg for at anbringe maskinen på jorden, så den ikke kan falde ned.
- ◆ Ved længere pauser, eller når arbejdspladsen forlades: Sluk først for kraftforsyningen og udluft derefter maskinen ved at aktivere start/stop-anordningen.

## Vedligeholdelse

Regelmæssig vedligeholdelse er et grundlæggende krav til fortsat sikker og effektiv brug af maskinen. Følg vedligeholdelsesinstruktionerne omhyggeligt.

- ◆ Rens maskinen, inden vedligeholdelsesarbejderne udføres, så De ikke udsættes for farlige substanser. Se „Støv- og damprisiko“
- ◆ Brug kun godkendte dele. Skader eller fejl, som opstår på grund af ikke-godkendte reservedele, dækkes ikke af garanti eller produktansvar.
- ◆ Ved rensning af mekaniske dele med et opløsningsmiddel, skal gældende sundheds- og sikkerhedsbestemmelser overholdes, og der skal være tilstrækkelig ventilation.
- ◆ Ved behov for et større eftersyn af maskinen, kontaktes nærmeste autoriserede værksted.
- ◆ Kontrollér efter hvert eftersyn, at maskinens vibrationsniveau er normalt. Hvis det ikke er tilfældet, kontaktes nærmeste autoriserede værksted

## Hver dag

Før der udføres vedligeholdelsesarbejde på trykluftmaskiner, skal der altid slukkes for lufttilførslen, og maskinen skal udluftes ved at trykke start-/stopanordningen ned. Tag derefter luftslangen af maskinen.

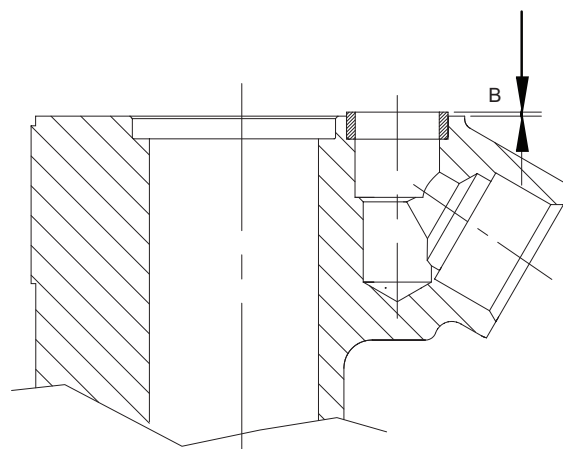
- ◆ Rens maskinen og efterse den og dens funktioner hver dag, inden arbejdet begyndes.
- ◆ Foretag et generelt eftersyn for lækager og skader.
- ◆ Kontroller, at luftindtagsniplen er spændt fast, og at klokoblingen er fri for skader.
- ◆ Udskift omgående beskadigede dele.
- ◆ Udskift slidte komponenter i god tid.
- ◆ Sørg for at alt tilsluttet og tilhørende udstyr, såsom slanger, vandudskillere og smøreanordninger vedligeholdes ordentligt.

## Monteringsinstruktioner

Der skal tages passende hensyn ved samling og adskillelse af værktøjet for at undgå afgratning, ridning eller deformering af tætsluttende præcisionsbyggede dele.

1. Efterse alle metal til metal flader for hakker og grater før og under samlingen.
2. Før gensamling skal alle O-ringe smøres, og alle værktøjets bevægelige dele skal coats med de anbefalede smøremidler.
3. Sørg for at der ikke kommer snavs ind i værktøjet under samlingen, især mellem sammenpassende flader.

4. Forstykkeboltene skal fastspændes, så at bufferne er jævnt presset sammen til den samlede længde, som angives i afsnittet "Tilspændingsmomenter".
5. Hæld efter samlingen ca. ½ oz. (1,5cl) af den anbefalede olie i luftindtaget og lad det trykluftdrevne værktøj til montering af spiger køre med reduceret hastighed i 10–15 sekunder. Når det trykluftdrevne værktøj til montering af spiger betjenes på gulvet, bør det gøres med reduceret gas for at undgå beskadigelse af stempel, chabotte og forstykke.
6. Før bagstykket samles på cylinderen, skal det kontrolleres at tætningen rager cirka (B) 1/16 in. (1,6 mm) frem over cylinderens hoved.

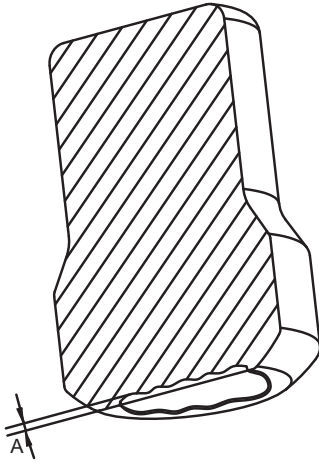


## Periodisk vedligeholdelse

Efter hver brugsperiode, på ca. 150 driftstimer eller to gange om året, skal maskinen adskilles og alle dele renses og efterses. Dette arbejde skal udføres af autoriseret personale, som er uddannet til denne opgave.

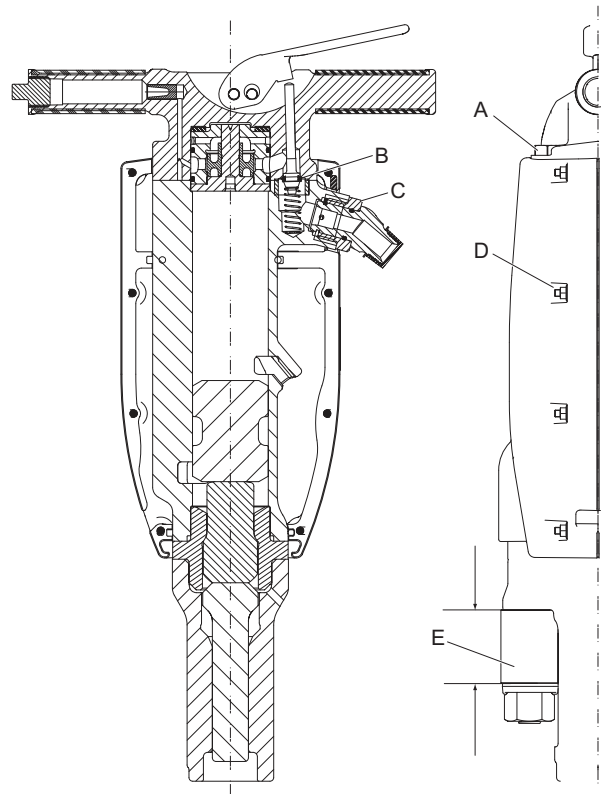
1. Sørg for, at sammenstødende overflader er rene og glatte, samt at boltene er spændt til.
2. Rens og efterse interne dele grundigt, og sørg for at de er fri for rust, affald og fremmedmaterialer.
3. Rens og efterse grundigt ventildelene. Vær sikker på, at ventilen kan bevæge sig frit.

4. Vær sikker på, at slagfladerne på amboltblokken er parallelle og flade. Hvis blokken er udhulet, skal de høje kanter slibes af, men pas på ikke at berøre den polerede flade, hvor ambolten slår mod stålskaftet. Maksimalt tilladt slid (A)  $\frac{1}{32}$  " (1mm). Se illustrationen nedenfor.



## Tilspændingsmomenter

**BEMÆRK** Ved montering af en klokobling eller andet forbindelsesstykke på drejeledet skal anvendes Loctite® 263™ (Loctite er et registreret varemærke fra Henkel Corporation. 263 er et varemærke fra Henkel Corporation) eller lignende.



- A. Moment: CP 1260 S SPDR og CP 1290 S SPDR, 100 lbf.ft (135 Nm).
- B. Cylinderpakningen skal rage ca.  $\frac{1}{16}$  in. (1,6 mm) frem for bagstykke-enheden.
- C. Moment: 150 lbf.ft (200 Nm). Brug Loctite® 263™ (Loctite er et registreret varemærke fra Henkel Corporation. 263 er et varemærke fra Henkel Corporation).
- D. Tilspændingsmoment, lyddæmper 6–7 lbf.ft (8–10 Nm).
- E. Samlet længde for buffer.

Model	Min-maks længde in. (mm)
CP 1260 S SPDR	2,14 -2,19 (54,4–55,6)
CP 1290 S SPDR	2,55 –2,61 (64,8–66,2)

## Fejlfinding

Hvis trykluftmaskinen ikke vil starte, mangler kraft eller kører ujævnt, kontrolleres følgende punkter.

- ◆ Kontroller, at trykluftmaskinen tilføres den rette mængde smøremiddel. For meget smøring kan give start- problemer, mangel på kraft eller ujævn drift.
- ◆ Kontrollér, at trykluftsystemet forsyner maskinen med tilstrækkeligt trykluft til fuld kraft.
- ◆ Kontroller luftslangens dimension og længde i henhold til de givne anbefalinger. Se „Montering“.
- ◆ Hvis der er risiko for at det fryser, skal det kontrolleres, at maskinens udblæsningsåbninger ikke er blokeret.
- ◆ Hvis maskinen stadig ikke fungerer tilfredsstillende efter udførelse af disse kontroller, kontaktes et autoriseret værksted.

## Opbevaring

- > Rens maskinen grundigt før den opbevares, så farlige substanser undgås. Se „Støv- og damprisiko“
- > Hæld ca. 1/2 oz (5 cl) olie direkte i luftindtagsniplen, tilslut maskinen til trykluftforsyningen, og lad den køre nogle få sekunder.
- > Maskinen skal altid opbevares på et tørt sted.

## Bortskaffelse

En brugt maskine skal behandles og bortskaffes således, at materialet kan genbruges i størst muligt omfang, så enhver negativ påvirkning af miljøet bliver så lav som muligt og i henhold til de lokale forskrifter.

## Tekniske data

### Maskinens data

Type	Maksimal hoveddiameter in. (mm)	Vægt lb (kg)	Længde in. (mm)	Slagfrekvens bpm (Hz)	Luftforbrug cfm (l/s)
CP 1260 S SPDR	1¼ (44)	65 (29,5)	24,7 (625)	1300 (21,5)	73 (34,5)
CP 1290 S SPDR	1¼ (44)	84 (38)	26 (660)	1100 (18,3)	91 (43)

### Støj- og vibrationsdeklaration

Garanteret lydeffektniveau **L<sub>w</sub>** i henhold til EN ISO 3744 i overensstemmelse med Direktiv 2000/14/EF.

Lydtryksniveau **L<sub>p</sub>** i henhold til EN ISO 11203.

Vibrationsværdier **A** og usikkerhed **B** fastlagt i henhold til EN ISO 20643. Se tabel „Støj- og vibrationsdata“ vedrørende værdierne for A, B, etc.

Disse deklarerede værdier er fundet ved typeprøvning i laboratorium i overensstemmelse med det angivne direktiv eller de angivne normer og er egnet til sammenligning med de deklarerede værdier for andet værktøj, som er testet i overensstemmelse med det samme direktiv eller de samme normer. Disse deklarerede værdier er ikke egnede til at anvendes i risikovurderinger, og værdier målt på de enkelte arbejdssteder kan være højere. De faktiske eksponeringsværdier og risici for overlast, der opleves af den enkelte bruger er unikke og afhænger af, hvordan brugeren arbejder, hvilket materiale maskinen anvendes på, samt på eksponeringstiden og brugerens fysiske tilstand og maskinens tilstand.

Vi, Atlas Copco Construction Tools AB, kan ikke holdes ansvarlige for følgerne af at anvende de deklarerede værdier i stedet for værdier, der afspejler den faktiske eksponering i en individuel risikovurdering i en arbejdsituation, som vi ikke har nogen indflydelse på.

Dette værktøj kan give hånd-arm vibrationssyndrom, hvis det ikke anvendes hensigtsmæssigt. En EU-vejledning til håndtering af hånd-armvibration kan findes på

<http://www.humanvibration.com/humanvibration/EU/VIBGUIDE.html>

Vi anbefaler et sundhedsovervågningsprogram med det formål at detektere tidlige symptomer, som kan stå i forbindelse med vibrationseksponering, således at procedurerne kan modificeres med henblik på at forebygge fremtidig skade.

### Støj- og vibrationsdata

Type	Støj		Vibration	
	Lydtryk	Lydeffekt	Værdier for tre akser	
	Deklarerede værdier		Deklarerede værdier	
	EN ISO 11203	2000/14/EF	EN ISO 20643	
	<b>L<sub>p</sub></b> r=1m dB(A) rel 20µPa	<b>L<sub>w</sub></b> garanteret dB(A) rel 1pW	<b>A</b> m/s <sup>2</sup> værdi	<b>B</b> m/s <sup>2</sup> spredninger
CP 1260 S SPDR	97	110	20,7	2,5
CP 1290 S SPDR	98	111	18,4	2,3



# EF-overensstemmelseserklæring

## EF-overensstemmelseserklæring (EF-direktiv 2006/42/EF)

Vi, Atlas Copco Construction Tools AB, erklærer hermed, at nedennævnte maskiner er i overensstemmelse med bestemmelserne i EF-direktiv 2006/42/EF (Maskindirektiv) og 2000/14/EF (Støjdirektiv), og nedennævnte harmoniserede standarder.

Håndholdte trykluftdrevne værktøjer til montering af spiger	Garanteret lydeffektniveau [dB(A)]	Målt lydeffektniveau [dB(A)]	Pmax (bar)
CP 1260 S SPDR	110	108	6,2
CP 1290 S SPDR	111	109	6,2

**Følgende harmoniserede standarder er anvendt:**

- ◆ EN ISO 11148-4

**Følgende andre standarder er anvendt:**

- ◆ Lloyds Register Quality Assurance, NoBo no.0088

**Autoriseret repræsentant for teknisk dokumentation:**

Per Forsberg  
Atlas Copco Construction Tools AB  
Dragonvägen 2  
Kalmar

**Vice President Design and Development:**

Erik Sigfridsson

**Producent:**

Atlas Copco Construction Tools AB  
391 27 Kalmar  
Sweden

**Sted og dato:**

Kalmar, 2012-11-30

## NORSK

## Innhold

<b>Innledning</b> .....	171
<b>Om Sikkerhetsinstrukser og bruksanvisning</b> .....	171
<b>Sikkerhetsinstrukser</b> .....	172
Signalord.....	172
Personlige forholdsregler og kvalifikasjoner.....	172
Installasjon, forholdsregler.....	172
Drift, forholdsregler.....	173
Vedlikehold, forholdsregler.....	176
Lagring, forholdsregler.....	176
<b>Oversikt</b> .....	177
Konstruksjon og funksjon.....	177
Hoveddeler.....	177
Merker.....	177
<b>Installasjon</b> .....	178
Slanger og koplingsstykker.....	178
Metoder for å forhindre frysing.....	178
Koble til en vannutskiller.....	178
Smøremiddel.....	178
<b>Bruk</b> .....	179
Start og stopp.....	179
Bruk.....	179
Når man tar en pause.....	179
<b>Vedlikehold</b> .....	179
Hver dag.....	180
Monteringsinstruksjoner.....	180
Periodisk vedlikehold.....	181
Tiltrekningsmomenter.....	181
<b>Feilsøking</b> .....	182
<b>Lagring</b> .....	182
<b>Avhending</b> .....	182
<b>Tekniske data</b> .....	183
Maskindata.....	183
Støy- og vibrasjonsdeklarasjoner.....	183
Støy- og vibrasjonsdata.....	183
<b>EU Samsvarserklæring</b> .....	184
EU Samsvarserklæring (EU-direktiv 2006/42/EF).....	184

## Innledning

Takk for at du har valgt et Chicago Pneumatic-produkt. I over hundre år har Chicago Pneumatic blitt forbundet med ytelse og nyskaping innen den pneumatiske verktøy-industrien.

I dag tilbyr firmaet en rekke pneumatiske og hydrauliske verktøy som meiselmaskiner, bergboremaskiner, meiselhammere, leirjordgravere, hakker og knusere, scabblers, pumper og mye mer.

Chicago Pneumatic-merket assosieres med kraftige og pålitelige produkter som er enkle å vedlikeholde og som gir god valuta for pengene.

For mer informasjon, gå til: [www.cp.com](http://www.cp.com)

Atlas Copco Construction Tools AB  
Box 703  
391 27 Kalmar  
Sweden

## Om Sikkerhetsinstrukser og bruksanvisning

Formålet med instruksene er å gi deg kunnskap om hvordan du bruker den pneumatiske spikerpistolen på en effektiv, sikker måte. Instruksene gir deg også råd og viser deg hvordan du utfører vedlikehold på den pneumatiske spikerpistolen.

Før du begynner å bruke den pneumatiske spikerpistolen første gang, må du lese disse instruksene nøye og forstå alle sammen.

## Sikkerhetsinstrukser

For å redusere faren for alvorlige skader eller død for deg selv eller andre, må du lese og forstå disse sikkerhetsinstrukser og bruksanvisninger før du installerer, bruker, reparerer eller vedlikeholder maskinen, eller skifter deler på den.

Heng opp disse sikkerhetsinstrukser og bruksanvisninger på arbeidsplassen, gi de ansatte kopier av dem og forsikre deg om at alle leser dem før de betjener eller utfører service på maskinen.

I tillegg må operatøren eller operatørens arbeidsgiver vurdere spesifikke risikoer som kan være til stedet ved bruk av maskinen.

## Signalord

Signalordene Fare, Advarsel og Forsiktig har følgende betydning:

<b>FARE</b>	Viser til en farlig situasjon som vil føre til alvorlig skade eller død dersom den ikke unngås.
<b>ADVARSEL</b>	Viser til en farlig situasjon som kan føre til alvorlig skade eller død dersom den ikke unngås.
<b>FORSIKTIG</b>	Viser til en farlig situasjon som kan føre til mindre eller moderate skader dersom den ikke unngås.

## Personlige forholdsregler og kvalifikasjoner

Vedlikehold eller bruk av maskinen må kun gjøres av kvalifiserte og opplærte personer. De må være i fysisk stand til å håndtere størrelsen, vekten og kraften til verktøyet. Bruk alltid sunn fornuft og god vurderingsevne.

### Personlig verneutstyr

Bruk alltid godkjent verneutstyr. Operatører og alle andre personer i arbeidsområdet skal bruke verneutstyr, bestående av minimum:

- > Beskyttelseshjelm
- > Hørselsvern
- > Slagbestandige vernebriller med sidebeskyttelse
- > Åndedrettsvern når det er nødvendig
- > Vernehansker
- > Skikkelig vernestøvler
- > Egnet arbeidsoverall eller tilsvarende bekledning (ikke løstsittende) som dekker armene og bena.

## Narkotika, alkohol eller legemidler

### ▲ ADVARSEL Narkotika, alkohol eller legemidler

Narkotika, alkohol og legemidler svekker dømmekraften og konsentrasjonsevnen. Dårlig reaksjonsevne eller feilaktige vurderinger kan føre til alvorlige ulykker, også med døden til følge.

- ▶ Bruk aldri maskinen når du er trøtt eller påvirket av narkotika, alkohol eller legemidler.
- ▶ Ingen personer som påvirket av narkotika, alkohol eller legemidler skal bruke maskinen.

## Installasjon, forholdsregler

### ▲ FARE Piskende luftslange

En trykkluftslange som løsner kan slå omkring seg med stor kraft, og forårsake personskade eller død. For å redusere denne risikoen:

- ▶ Sjekk at trykkluftslangene og koblingene ikke er skadet, og skift dem ut om nødvendig.
- ▶ Sjekk at alle trykklufttilkoblingene er skikkelig festet.
- ▶ Bær aldri en pneumatisk maskin ved å holde i luftslangen.
- ▶ Forsøk aldri å kople fra en trykkluftslange som står under trykk. Slå av lufttrykket på luftkompressoren og tøm maskinen for luft ved å sette i gang start og stopp knappen.
- ▶ Ikke bruk hurtigkoblere der innsettingsverktøyet koples til. Bruk gjengede slangearmaturer av herdet stål (eller materialer med tilsvarende støtsikkerhet).
- ▶ Når universale dreibare slangekoblere (klokkoblere) brukes, anbefaler vi at låsestifter installeres og at sikkerhetswire brukes for å beskytte mot mulige feilkoblere mellom slange og verktøy eller mellom slange og slange.
- ▶ Rett aldri en trykkluftslange mot deg selv eller andre. Bruk aldri trykkluft til å blåse f.eks. støv, skitt osv. av klærne, da det kan medføre fare for å bli skadet.

## Drift, forholdsregler

### ▲ FARE Eksplosjonsfare

Dersom en spiker kommer i kontakt med eksplosive gasser, kan en eksplosjon forekomme. Når du jobber med visse materialer og når visse materialer brukes i maskindeler, kan det oppstå gnister og antenner. Eksplosjoner kan føre til alvorlige skader, også med døden til følge.

- ▶ Bruk aldri maskinen i eksplosive omgivelser.
- ▶ Bruk aldri maskinen i nærheten av brannfarlige materialer, gasser eller støv.
- ▶ Forsikre deg om at det ikke er noen uoppdagete gasskilder eller eksplosiver.

### ▲ ADVARSEL Uforutsette bevegelser

Spikerpistolen er utsatt for store krefter når den brukes. Kraftene kan føre til plutselige og uforutsette bevegelser som kan forårsake skader. Dessuten, hvis du mister balansen eller glir, kan dette forårsake skader.

- ▶ Sørg for at du alltid inntar en stødig stilling, med føttene like langt fra hverandre som skulderbredden, og hold kroppstygden i balanse.
- ▶ Inspiser alltid utstyret før du bruker det. Bruk aldri utstyr du mistenker for å være skadet.
- ▶ Sørg for at håndtakene er fri for fett og olje.
- ▶ Hold hender og føtter unna spikrene.
- ▶ Stå støtt og hold alltid i maskinen med begge hender.
- ▶ Start aldri maskinen mens den ligger på bakken.
- ▶ Aldri „ri” på maskinen med ett ben over håndtaket.
- ▶ Utstyret skal ikke utsettes for slag eller spark.
- ▶ Vær oppmerksom og se på hva du gjør.

### ▲ ADVARSEL Støv- og røykfarer

Støv og/eller røyk som oppstår når maskinen brukes kan forårsake alvorlige og permanente pustevansker, sykdommer eller annen skader på kroppen (for eksempel silikose eller andre uhelbredelige lungesykdommer som kan være dødelige, kreft, fosterskader og/eller irritert hud).

Enkelte støv- og røyktyper som oppstår ved boring, knusing, pigging, saging, sliping og andre anleggsaktiviteter inneholder stoffer som av staten California og av andre autoriteter anses for å forårsake pustevansker, kreft, fosterskader og andre reproduksjonsskader). Noen eksempler på slike kjemikalier er:

- > Krystallinsk kiselsyre, sement og andre murprodukter.
- > Arsenikk og krom fra kjemisk behandlet gummi.
- > Bly fra blybasert maling.

Støv og røyk i luften kan være usynlig for det blotte øyet, så du kan ikke stole på hva du ser for å avgjøre om det er støv eller røyk i luften.

For å redusere risikoen for å bli utsatt for røyk og støv må du gjøre følgende:

- ▶ Utfør en spesifikk risikoanalyse for arbeidsplassen. Risikoanalysen må inkludere støv og røyk som oppstår ved bruk av maskinen og potensialet for å virvle opp eksisterende støv.
- ▶ Foreta egnede tekniske tiltak for å redusere mengden av støv og røyk i luften og ansamling av støv på utstyr, overflater, klær og kroppsdeler. Eksempler på slike tiltak kan være: avgassventilasjon og støvsamlingssystemer, overrislingsventiler og våtboring. Kontroller støv og røykutvikling ved kilden der hvor det er mulig. Sørg for at tiltakene og utstyret installeres, vedlikeholdes og brukes på riktig måte.
- ▶ Bruk vernemaske og vedlikehold den på riktig måte, etter instruks fra arbeidsgiveren eller som påkrevd i helse-, miljø- og sikkerhetsforskrifter. Vernemasken må være effektiv mot den type stoffer du utsettes for (og må eventuelt være godkjent av relevant myndighet).
- ▶ Arbeid i godt ventilerte områder.
- ▶ Hvis maskinen har et utblåsningsrør må det rettes på en måte som reduserer oppvirvling av støv i støvete miljøer.
- ▶ Betjen og vedlikehold maskinen som anbefalt i disse sikkerhetsinstruksjoner og bruksanvisninger.
- ▶ Velg, vedlikehold og skift innsetningsverktøyet eller andre utskiftbare deler som anbefalt i disse instruksene. Hvis forbruksvarer, innsetningsverktøy eller andre utskiftbare deler ikke velges eller vedlikeholdes riktig, kan det forårsake unødvendig økning av støv og røyk.

- ▶ Bruk vaskbare eller deponerbare verneklær på arbeidsområdet. Dusj eller bytt til rene klær før du forlater arbeidsområdet for å redusere eksponering av støv og røyk for deg selv, andre personer, biler, hjem eller andre områder.
- ▶ Unngå å spise, drikke eller bruke tobakksprodukter i områder hvor det er støv eller røyk.
- ▶ Vask hender og ansikt grundig så snart du forlater eksponeringsområdet, og alltid før du spiser, drikker eller bruker tobakksprodukter, eller berører andre personer.
- ▶ Overhold alle gjeldende lover og regler, også innen helse, miljø og sikkerhet.
- ▶ Delta i åndedrettskontroller, medisinske undersøkelsesprogram og opplæringsprogrammer som arbeidsgiveren eller fagforeningen din tilbyr deg og som er i henhold til forskrifter og anbefalinger innen helse, miljø og sikkerhet. Kontakt lege som har erfaring med relevant yrkesmedisin.
- ▶ Samarbeid med arbeidsgiveren og fagforeningen din for å redusere eksponeringen for røyk og støv på arbeidsplassen og for å redusere risikoene. Effektive helse- og sikkerhetsprogrammer, holdninger og prosedyrer for å beskytte arbeidere og andre personer mot skadelig eksponering for støv og røyk må fastsettes og innføres basert på råd fra eksperter innen helse, miljø og sikkerhet. Snakk med eksperter om dette.
- ▶ Rester av farlige stoffer på maskinen kan utgjøre en helserisiko. Maskinen må rengjøres grundig før det utføres vedlikehold på den.

### ▲ ADVARSEL **Prosjektiler**

Feil på arbeidsmaterialet, tilbehør eller på selve maskinen kan skape prosjektiler med svært høye hastigheter. Under driften kan splinter eller andre partikler fra arbeidsmaterialet opptre som prosjektiler og forårsake personskade ved å treffe operatøren eller andre personer. For å redusere disse risikoene:

- ▶ Bruk godkjent personlig verneutstyr og vernehjelm, inkludert støtmotstandige vernebriller med sidebeskyttelse.
- ▶ Sørg for at ingen uautoriserte personer kommer inn i arbeidsområdet.
- ▶ Hold arbeidsplassen fri for fremmede objekter.
- ▶ Forsikre deg om at spikeren er forsvarlig festet.

### ▲ ADVARSEL **Fare ved nedslåing av spikre**

Hvis spikeren ikke er forsvarlig festet i arbeidsmaterialet før du betjener maskinen, er det fare for personskade.

- ▶ Forsikre deg alltid om at spikeren er forsvarlig festet før du betjener maskinen.
- ▶ Aldri hold eller berør spikeren mens du slår den ned.

### ▲ ADVARSEL **Farer ved å skli, snuble og falle**

Det finnes en risiko for å skli, snuble og falle, for eksempel for å snuble i slangen eller i andre gjenstander. Hvis du sklir, snubler eller faller, kan det forårsake skader. For å redusere risikoene:

- ▶ Forsikre deg alltid om at det ikke er noen slanger eller andre gjenstander i veien for deg eller andre personer.
- ▶ Sørg for at du alltid inntar en stødig stilling, med føttene like langt fra hverandre som skulderbredden, og hold kroppstyngden i balanse.

### ▲ ADVARSEL **Farer vedrørende bevegelse**

Når du bruker maskinen til å utføre arbeid, kan du oppleve ubehag i hendene, armene, skuldrene, nakken eller i andre kroppsdeler.

- ▶ Innta en komfortabel stilling samtidig som du står stødig og unngår å miste balansen.
- ▶ Hvis du bruker maskinen lenge, kan det hjelpe å bytte stilling for å unngå ubehag og tretthet.
- ▶ Hvis symptomene vedvarer eller stadig kommer tilbake, bør du ta kontakt med kvalifisert helsepersonell.

**▲ ADVARSEL    Vibrasjonsfare**

Vanlig og korrekt bruk av maskinen utsetter operatøren for vibrasjon. Regelmessig og hyppig eksponering for vibrasjon kan forårsake, bidra til eller forverre skader eller forstyrre operatørens fingre, hender, håndledd, armer, skuldre og/eller nerver og blodforsyning eller andre kroppsdeler, inkludert svekkelse og/eller permanente skader eller forstyrrelser som kan utvikles gradvis over uker, måneder eller år. Slike skader eller forstyrrelser kan omfatte skader på blodsirkulasjonssystemet, skader på nervesystemet, skader på ledd og mulige skader på andre organer.

Dersom nummenhet, vedvarende ubehag, brennende følelse, stivhet, banking, prikking, smerte, klossethet, svekket grep, blekhet eller andre symptomer skulle opptre på noe tidspunkt mens maskinen betjenes eller mens den ikke betjenes, må man ikke fortsette å betjene maskinen, men fortelle arbeidsgiveren om det og søke medisinsk hjelp. Hvis du fortsetter å bruke maskinen etter at du oppdager slike symptomer, kan det øke risikoen for at symptomene øker eller blir permanente.

Betjen og vedlikehold maskinen som anbefalt i disse instruksene for å unngå unødvendig økning av vibrasjon.

Følgende tiltak kan redusere eksponeringen for vibrasjon på operatøren:

- ▶ La verktøyet gjøre arbeidet. Bruk det minimale håndgrepet som er nødvendig for å holde kontroll over maskinen og sørge for trygg drift.
- ▶ Hvis maskinen har vibrasjonsdempende håndtak, må du holde dem i en midtstilling og unngå å skyve dem til endestoppene.
- ▶ Når slagmekanismen aktiveres, skal din eneste kroppskontakt med maskinen være med hendene, som du holder på håndtaket eller håndtakene. Unngå annen kontakt, f.eks. å støtte andre deler av kroppen mot maskinen eller lene deg mot maskinen for å øke trykkraften. Det er også viktig at start- og stoppmekanismene ikke er aktivert når verktøyet trekkes opp fra arbeidsoverflaten.
- ▶ Sørg for at det innsatte verktøyet er godt vedlikeholdt (og skarpt, dersom det er et kutteverktøy), ikke slitt, og i riktig dimensjon. Innsetningsverktøy som ikke er godt vedlikeholdt eller som er slitt, eller som ikke har riktig dimensjon, vil føre til at det tar lengre tid å utføre et arbeid (som gir lengre eksponering for vibrasjon), og kan føre til eller bidra til høyere nivåer av vibrasjonseksponering.
- ▶ Stopp arbeidet øyeblikkelig dersom maskinen plutselig begynner å vibrere kraftig. Lokaliser og utbedre årsaken til den økte vibrasjonen før arbeidet gjenopptas.

- ▶ Grip aldri tak i, hold eller berør det innsatte verktøyet mens maskinen er i bruk.
- ▶ Delta i helseundersøkelser eller helseovervåking, medisinske undersøkelser og treningsprogrammer som tilbys av arbeidsgiveren og når de er lovpålagt.
- ▶ Bruk varme klær og hold hendene varme og tørre når du arbeider i kaldt vær.
- ▶ Avgassluften er sterkt nedkjølt og skal ikke komme i kontakt med operatøren. Rett avgassluften bort fra hender og kropp.

Se maskinens „Støy- og vibrasjonsdeklarasjoner”, inkludert de oppgitte vibrasjonsverdiene. Denne informasjonen er å finne på slutten av denne håndboken „Sikkerhetsinstruksjoner og bruksanvisning”.

- ◆ Følg anbefalt lufttryknivå når du bruker maskinen. For høyt eller lavt lufttrykk kan føre til økt vibrasjon.

**▲ FARE    Strømfare**

Denne maskinen er ikke strømsolert. Hvis maskinen kommer i kontakt med elektrisitet, kan det resultere i alvorlig skade eller død.

- ▶ Maskinen må aldri brukes i nærheten av strømledninger eller andre strømkilder.
- ▶ Sørg for at det ikke skjuler seg strømledninger eller andre strømkilder i arbeidsområdet.

**▲ ADVARSEL    Fare ved skjulte objekter**

Skjulte kabler og rør utgjør en fare som kan føre til alvorlige skader under arbeidet.

- ▶ Kontroller materialets sammensetning før bruk.
- ▶ Se opp for skjulte kabler og rør som elektrisitet, telefon, vann, gass og kloakkrør, o.l.
- ▶ Dersom det virker som om spikeren har truffet et skjult objekt, skru av maskinen umiddelbart.
- ▶ Forsikre deg om at det ikke er noen fare før du fortsetter.

**▲ ADVARSEL    Utsiktet start**

Utsiktet start av maskinen kan forårsake skade.

- ▶ Hold hendene unna start- og stoppavtrekkeren til du er klar til å begynne arbeidet.
- ▶ Lær om hvordan maskinen slås av i tilfelle det skulle oppstå en nødsituasjon.
- ▶ Frigjør start- og stoppavtrekkeren umiddelbart hvis det oppstår forstyrrelser på lufttilførselen.
- ▶ Før du foretar noen form for vedlikehold, montering, inspeksjon eller rengjøring, må du slå av lufttilførselen og tappe ut luften fra maskinen ved å trykke ned start- og stoppavtrekkeren og kople fra strømtilførselen.

**▲ ADVARSEL Støyfare**

Høye støynivåer kan føre til permanent hørselsskade og tap av hørsel, samt andre problemer som tinnitus (øresus). For å redusere risikoen og forhindre unødvendig økning av støynivå, må du:

- ▶ Foreta en risikovurdering av alle disse farene og implementere passende kontroller.
- ▶ Betjene og vedlikeholde maskinen som anbefalt i disse instruksjonene.
- ▶ Kontroller at lyddemperen er på plass og i god tilstand, hvis maskinen har en lyddemper.
- ▶ Bruk alltid hørselsvern.

**Vedlikehold, forholdsregler****▲ ADVARSEL Maskinmodifisering**

Alle maskinmodifikasjoner kan resultere i kroppslige skader for deg selv eller andre.

- ▶ Foreta aldri modifiseringer av maskinen. Modifiserte maskiner dekkes ikke av garantien eller produktansvaret.
- ▶ Bruk alltid originale deler og tilbehør.
- ▶ Bytt ut skadede deler umiddelbart.
- ▶ Skift ut slitte komponenter i god tid.

**Lagring, forholdsregler**

- ◆ Oppbevar maskinen og verktøyene på et sikkert og låsbart sted, utilgjengelig for barn.



## Oversikt

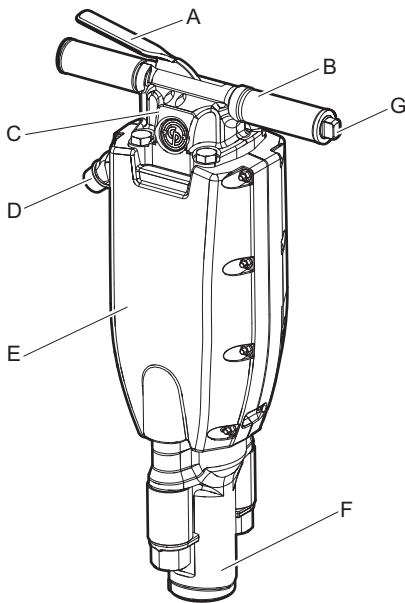
**For å redusere faren for alvorlig skade eller død for deg selv og andre, les avsnittet Sikkerhetsinstruksjoner på de foregående sidene av denne håndboken før du tar maskinen i bruk.**

## Konstruksjon og funksjon

CP 1260 S SPDR og CP 1290 S SPDR er konstruert for å slå ned spikre/nagler/pigger o.l. i jernbaneskinner og telt, samt i anleggs og fabrikkinstallasjoner.

De har et åpent frontstykke, noe som gjør at man kan slå ned flere ulike gjenstander. Maksimal hodediameter til gjenstandene er 1<sup>3</sup>/<sub>4</sub> in. (44 mm). De pneumatiske spikerpistolene er konstruert kun for vertikal bruk. Annen bruk er ikke tillatt.

## Hoveddeler

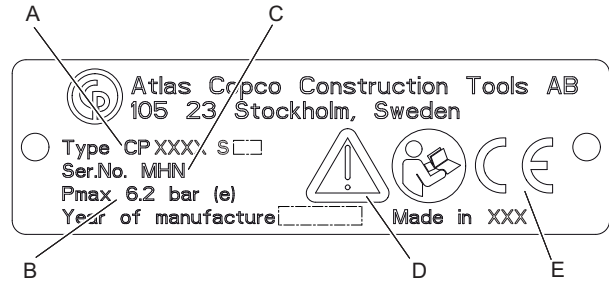


- A. Start- og stoppavtrekker
- B. Håndtak
- C. Bakstykke
- D. Luftinntak
- E. Lyddemper
- F. Frontstykke
- G. Oljesmører

## Merker

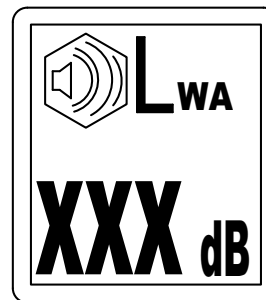
Maskinen er utstyrt med merker som inneholder viktig informasjon om personlig sikkerhet og vedlikehold av maskinen. Disse merkene skal være i en tilstand som gjør det enkelt å lese dem. Nye merker kan bestilles fra reservedellisten.

### Typeskilt



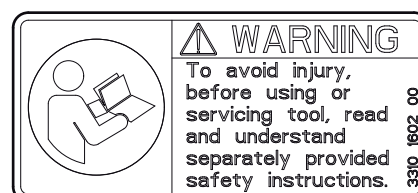
- A. Maskintype
- B. Maksimalt tillatt lufttrykk
- C. Serienummer
- D. Varseltrekanten sammen med boksymbolet betyr at brukeren må lese sikkerhets- og bruksinstruksjonene før maskinen brukes for første gang.
- E. CE-symbolet betyr at maskinen er CE-godkjent. Se CE-erklæringen som er medsendt maskinen for ytterligere informasjon. Hvis CE-symbolet mangler, betyr det at maskinen ikke er CE-godkjent.

### Støynivåmerke



Dette merket indikerer garantert støynivåindikator i henhold til EU-direktiv 2000/14/EC. Se „Tekniske data“ for nøyaktig støynivå.

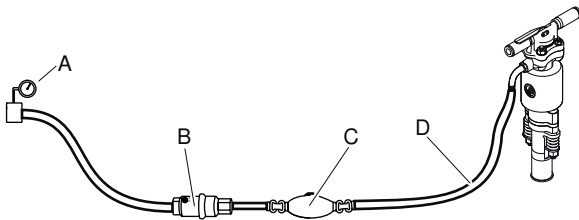
### Sikkerhetsskilt



Før du begynner å bruke eller utføre service på maskinen, må du lese og forstå sikkerhetsinstruksjoner levert separat for å unngå at det oppstår skade.

## Installasjon

### Slanger og koplingsstykker



- A. Trykkluftskilde
- B. Vannseparator (ekstrautstyr)
- C. Oljesmører (alternativ)
- D. Maks 10 feet (3 meter) trykkluftslange mellom smøreapparatet og maskinen.

- ◆ Kontroller at du bruker anbefalt driftstrykk, 87 psig (6 bar (e)).
- ◆ Du må ikke bruke høyere trykk enn det maksimalt tillatte driftstrykket, 90 psig (6,2 bar (e)).
- ◆ Blås ut smuss av trykkluftsslengen før du kople den til maskinen.
- ◆ Velg riktig diameter og lengde på trykkluftsslengen. For slangelengder opp til 100 feet (30 meter), skal en slange med en minimum innvendig diameter på  $\frac{3}{4}$  in. (19 mm) brukes. Hvis slagelengden er mellom 100 og 330 feet (30 og 100 meter), skal en slange med en minimum innvendig diameter på 1 in. (25 mm) brukes.

### Metoder for å forhindre frysing

Isdannelse i lyddemperen kan oppstå når lufttemperaturen er 32-50°F (0-10 °C) og den relative luftfuktigheten er høy.

Maskinen er laget for å unngå isdannelse i lyddemperen. På tross av dette kan det bli dannet is på lyddemperen under ekstreme forhold.

Følgende handlinger kan utføres for å motvirke isdannelsen:

- ◆ Bruk CP Airolene Plus Tool Oil som smøremiddel. CP Airolene Plus Tool Oil motvirker frysing.
- ◆ Bruk en vannutskiller.

## Koble til en vannutskiller

Lengden på slangen mellom kompressoren og vannutskilleren må være nok til at vanddampen er avkjølet og kondensert i slangen før den når vannutskilleren.

Dersom omgivelsestemperaturen er under 32 °F (0 °C) må slangen være kort nok til å forhindre at vannet fryser før det når vannutskilleren.

## Smøremiddel

### Smøring

Smøring er viktig for maskinens funksjoner og har en stor innvirkning på levetiden. I den hensikt å gi riktig oljemengde, skal et smøreapparat kobles til luftslangen. Bruk av et Chicago Pneumatics smøreapparat for lufttilførselen anbefales. For å sikre god smøring, skal lengden av luftslangen mellom smøreapparatet og det pneumatiske verktøyet ikke være lenger enn 10 feet (3 m).

For mye smøring kan forårsake startproblemer, lav kraft eller ujevn ytelse.

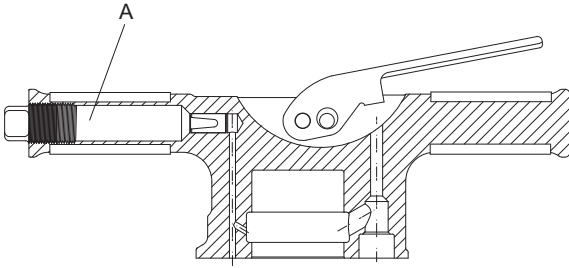
Bruk en syntetisk smøreolje som CP Airolene Plus Tool Oil eller mineralolje med de egenskaper som er anbefalt i tabellen under.

Smøreolje	Temperatur område °F (°C)	Viskositet
CP Airolene Plus Tool Oil	-4 til +120 (-20 til +50)	-
Luftverktøyolje	-4 til +60 (-20 til +15)	100-150 SUS (ISO VG 22-32)
Luftverktøyolje	+60 til +120 (+15 til +50)	225-350 SUS (ISO VG 46-68)

Oljen bør inneholde et tilsetningsstoff for å hemme rust.

### Kontrollere nivået og fylle på smøring.

- ◆ Oljenivåene bør kontrolleres hver dag.
- ◆ Tørk rent rundt oljepluggen og ta den av.
- ◆ Kontroller at gjengene ikke er ødelagt eller slitt.
- ◆ Enhver del med ødelagte eller utslitte gjenger må byttes.
- ◆ Fyll på smøring i (A).



- ◆ Skru pluggen tett til og tørk av ekstra olje.

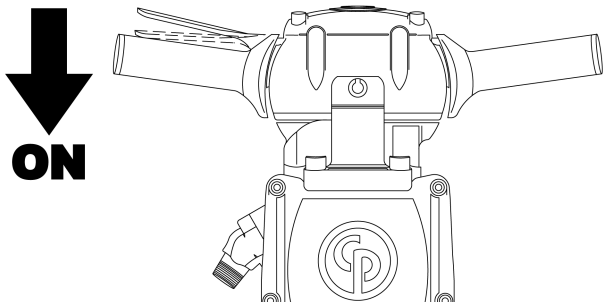
## Bruk

### ▲ ADVARSEL Utilsiktet start

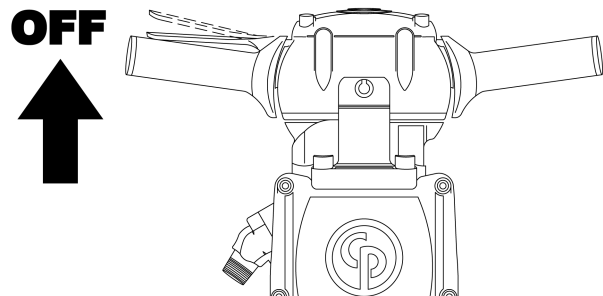
Utilsiktet start av maskinen kan forårsake skade.

- ▶ Hold hendene unna start- og stoppknappene til du er klar til å begynne arbeidet.
- ▶ Lær om hvordan maskinen slås av i tilfelle det skulle oppstå en nødssituasjon.
- ▶ Stopp alltid maskinen umiddelbart hvis strømtilførselen avbrytes.

## Start og stopp



Start den pneumatiske spikerpistolen ved å trykke ned start- og stoppavtrekkeren.



Stopp den pneumatiske spikerpistolen ved å slippe start- og stoppavtrekkeren. Start- og stoppavtrekkeren returnerer da automatisk til stopposisjonen.

## Bruk

- ◆ Forsikre deg om at spikrene som skal slås ned er forsvarlig festet.
- ◆ Sett spikerpistolen oppå og i linje med spikeren.
- ◆ Innta en stødig stilling med føttene på god avstand fra spikeren.
- ◆ Påfør et jevnt trykk på spikeren og start maskinen.
- ◆ Slipp start- og stoppavtrekkeren når spikeren er slått helt ned.
- ◆ La maskinen gjøre arbeidet; ikke trykk for hardt.
- ◆ Unngå enhver form for tomgangskjøring og bruk med løftet maskin.
- ◆ Når maskinen er løftet, må ikke start- og stoppavtrekkeren aktiveres.
- ◆ Kontroller regelmessig at maskinen får nok smøring.

*LES DETTE* Aldri hold eller berør spikeren mens du slår den ned.

## Når man tar en pause

- ◆ Under alle pauser må maskinen settes unna slik at det ikke er noen risiko for utilsiktet start. Forsikre deg om at maskinen er lagt på bakken, slik at den ikke kan falle.
- ◆ Ved lange pauser eller når man forlater arbeidsplassen: Slå av strømtilførselen og tøm maskinen for luft ved å sette i gang start- og stopp-knappen.

## Vedlikehold

Jevnlig vedlikehold er en grunnforutsetning for fortsatt sikker og effektiv bruk av maskinen. Følg vedlikeholdsinstruksjonene nøye.

- ◆ Rengjør maskinen før du starter vedlikeholdet på den for å unngå å bli utsatt for skadelige stoffer. Se „Støv- og røykfarer”
- ◆ Bruk bare autoriserte deler. Skade eller feilfunksjon som skyldes bruk av uautoriserte deler blir ikke dekket av garantien eller produktansvaret.
- ◆ Når mekaniske deler rengjøres med løsemidler, må gjeldende helse- og sikkerhetsforskrifter følges, og man må sørge for tilstrekkelig ventilasjon.
- ◆ For større vedlikehold av maskinen, kontakt ditt nærmeste autoriserte verksted.

- ◆ Kontroller at maskinens vibrasjonsnivå er normalt etter hver service. Hvis ikke, må du kontakte nærmeste autoriserte verksted.

## Hver dag

Før du foretar noe vedlikehold på trykkluftmaskiner, må du alltid slå av lufttilførselen og tappe ut luften fra maskinen ved å trykke ned start- og stoppavtrekkeren. Koble deretter luftslangen fra maskinen.

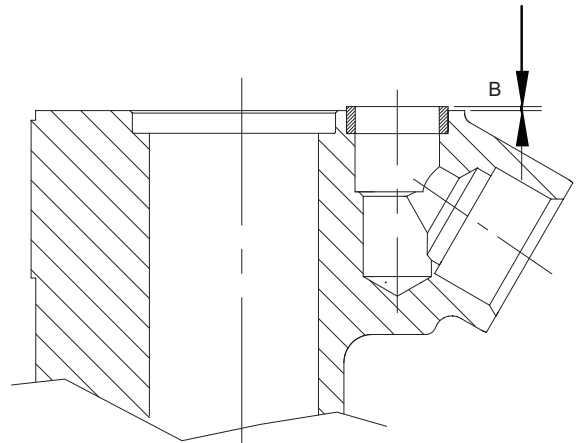
- ◆ Rengjør og undersøk maskinen og funksjonene dens hver dag før du begynner å jobbe med den.
- ◆ Utfør en generell inspeksjon for lekkasje og skade.
- ◆ Sjekk at luftinntaknippelen er strammet til, og at klokoplingen ikke er skadet.
- ◆ Bytt ut skadede deler umiddelbart.
- ◆ Skift ut slitte komponenter i god tid.
- ◆ Sørg for at alt montert og relatert utstyr, som slanger, vannseparatorer og oljesmørere blir ordentlig vedlikeholdt.

## Monteringsinstruksjoner

Du må være forsiktig ved montering og demontering av maskinen for å unngå at presisjonsdeler dunker borti hverandre og bøyer seg eller får riper eller hakk.

1. Kontroller alle overflater der to metalloverflater berører hverandre for hakk og ujevnheter før og under montering.
2. Før du monterer maskinen på nytt, må du smøre alle o-ringer og bevegelige deler med anbefalte smøreoljer.
3. Ved montering må du passe på at det ikke kommer smuss i maskinen, spesielt mellom berøringsflatene.
4. Front- og hodeboltene må trekkes til på en slik måte at bufferne blir jevnt komprimert til enhetens riktige lengde, angitt i delen „Tiltrekningsmomenter”.
5. Når du er ferdig med å montere, bør du helle ca. ½ oz. (1,5 cl) anbefalt smøreolje inn i luftinnløpet og betjene den pneumatiske borhammeren ved lav hastighet i 10-15 sekunder. Når du bruker den pneumatiske borhammeren på bakken, bør du gjøre det ved lav hastighet for å unngå å skade stempelet, ambolten og frontstykket.

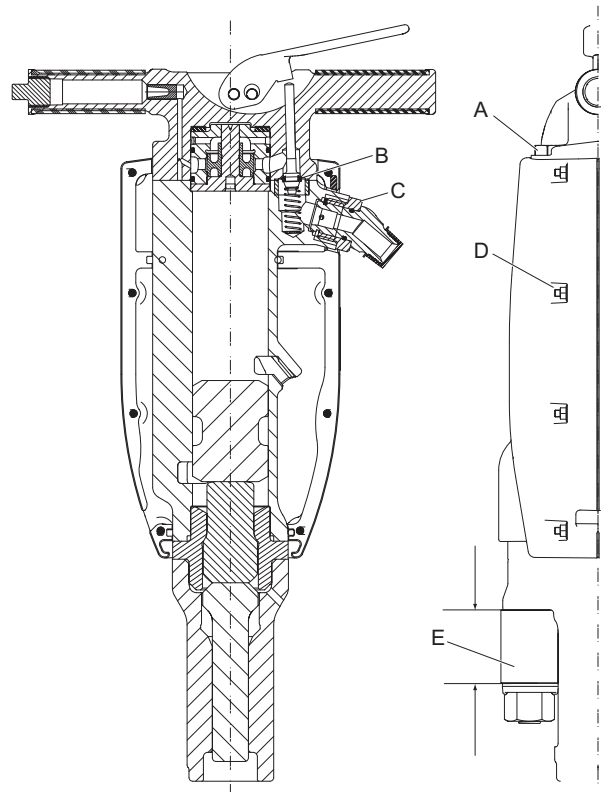
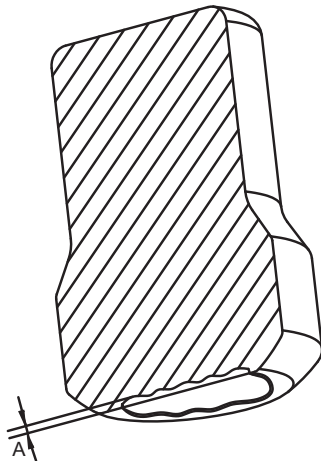
6. Før du monterer bakstykket på sylindren, må du kontrollere at pakningen stikker ut ca. (B)  $\frac{1}{16}$  tomme (1,6 mm) fra sylinderflaten.



## Periodisk vedlikehold

Etter en driftsperiode på ca 150 slagtimer eller to ganger i året, må maskinen demonteres og alle deler renses og sjekkes. Dette arbeidet må utføres av autorisert personell som er opplært til denne oppgaven.

1. Sørg for at deler som skal sammenføres er rene og glatte og at boltene er tilskrudd.
2. Rengjør og inspiser innvendige deler omhyggelig og sørg for at de er fri for rust, sand og fremmedlegemer.
3. Rengjør og inspiser ventildelene omhyggelig. Sørg for at ventilene beveges fritt.
4. Sørg for at slåflatene på amboltblokken er parallelle og flate. Dersom blokken er uthulet, slip av kantene, men ikke berør den polerte overflaten der ambolten treffer stålskaftet. Maksimalt tillatt slitasje (A)  $\frac{1}{32}$  " (1 mm). Se illustrasjonen nedenfor.



- A. Tiltrekningsmoment: CP 1260 S SPDR og CP 1290 S SPDR, 100 lbf.ft (135 Nm).
- B. Sylindertetningen må stikke ut cirka  $\frac{1}{16}$  tomme (1,6 mm) før den settes på hodet til bakstykket.
- C. Tiltrekningsmoment: 150 lbf.ft (200 Nm). Bruk Loctite® 263™ (Loctite er et registrert varemerke for Henkel Corporation).
- D. Tiltrekningsmoment, lyddemper 6–7 lbf.ft (8–10 Nm).
- E. Bufferlengde, montert.

## Tiltrekningsmomenter

**LES DETTE** Når du monterer en klokopling eller annen tilkopling på svivelen, må du bruke, Loctite® 263™ (Loctite er et registrert varemerke for Henkel Corporation) eller tilsvarende middel.

Modell	Min.–maks. lengde tommer (mm)
CP 1260 S SPDR	2.14 -2.19 (54.4–55.6)
CP 1290 S SPDR	2.55 –2,61 (64,8–66,2)

## Feilsøking

Hvis den pneumatiske maskinen ikke starter, har liten kraft eller ujevn ytelse, sjekk følgende punkter.

- ◆ Sjekk at den pneumatiske maskinen får riktig mengde smøring. For mye smøring kan forårsake startproblemer liten kraft eller ujevn ytelse.
- ◆ Sjekk at trykkluftsystemet leverer tilstrekkelig trykkluft til maskinen for å sørge for full kraft.
- ◆ Sjekk at dimensjonene og lengden av luftslangen er i henhold til anbefalingene. Se „Installasjon”.
- ◆ Hvis det er fare for frost, sjekk at maskinens utblåsningsporter ikke er blokkert.
- ◆ Hvis maskinfunksjonen fortsatt ikke er tilfredsstillende etter denne prosedyren, kontakt et autorisert serviceverksted.

## Lagring

- > Rengjør maskinen før du setter den bort for å unngå å bli utsatt for skadelige stoffer. Se „Støv- og røykfarer”
- > Tøm ca 1/2 oz (5 cl) olje rett på luftinntaknippen, koble maskinen til trykklufttilførselen og kjør den i et par sekunder.
- > Lagre maskinen på et tørt sted.

## Avhending

En utslitt maskin må behandles og avhendes på en slik måte at flest mulig deler av materialet kan resirkuleres og at negativ innvirkning på miljøet blir holdt så lavt som mulig og i henhold til lokale forskrifter.

## Tekniske data

### Maskindata

Type	Maksimal hodediameter in. (mm)	Vekt lb (kg)	Lengde in. (mm)	Slagfrekvens s/min (Hz)	Luftforbruk cfm (l/s)
CP 1260 S SPDR	1¼ (44)	65 (29,5)	24,7 (625)	1300 (21,5)	73 (34,5)
CP 1290 S SPDR	1¼ (44)	84 (38)	26 (660)	1100 (18,3)	91 (43)

### Støy- og vibrasjonsdeklarasjoner

Garantert lydeffektsnivå **L<sub>w</sub>** iht. EN ISO 3744 iht. direktiv 2000/14/EC.

Lydtryknivå **L<sub>p</sub>** iht. EN ISO 11203.

Vibrasjonsverdi **A** og usikkerhet **B** bestemt i henhold til EN ISO 20643. Se tabellen „Støy og vibrasjonsdata” for verdiene A, B etc.

Disse verdiene er oppnådd ved laboratorietesting i henhold til de meddelte direktiver eller standarder og er hensiktsmessig for sammenligning med de erklærte verdiene av andre verktøy testet i samsvar med de samme direktivene eller standarder. Disse meddelte verdiene er ikke tilstrekkelige for bruk i risikotaksering og verdier målt på individuelle arbeidsplasser kan være høyere. De faktiske eksponeringsverdiene og risikoen for skade opplevd av en individuell bruker er unike og avhenger av arbeidsmåten, hvilket materiale maskinen brukes på, i tillegg til eksponeringstid og brukerens fysiske tilstand, og maskinens tilstand.

Vi, Atlas Copco Construction Tools AB, kan ikke holdes ansvarlige for konsekvenser oppstått ved bruk av deklarererte verdier, i stedet for verdier som reflekterer den faktiske eksponeringen, i en individuell risikotaksering på en arbeidsplass har vi ikke kontroll over situasjonen over.

Dette verktøyet kan forårsake hånd-arm vibrasjonssyndrom hvis bruken ikke er tilstrekkelig godt utført. En EU-guide om hvordan man kan håndtere vibrasjoner i hånd og arm finner du her:

<http://www.humanvibration.com/humanvibration/EU/VIBGUIDE.html>

Vi anbefaler et program på helsekontroll for å oppdage tidlige symptomer som kan relateres til vibrasjonseksponering, slik at ledelsesprosedyrene kan modifiseres for å hjelpe til med å forhindre svekkelser i framtiden.

### Støy- og vibrasjonsdata

Type	Støy		Vibrasjon	
	Lydtrykk	Lydeffekt	Tre akseverdier	
	Oppgitte verdier		Oppgitte verdier	
	EN ISO 11203	2000/14/EC	EN ISO 20643	
	<b>L<sub>p</sub></b> r=1m dB(A) rel 20µPa	<b>L<sub>w</sub></b> garantert dB(A) rel 1pW	<b>A</b> m/s <sup>2</sup> verdi	<b>B</b> m/s <sup>2</sup> spredning
CP 1260 S SPDR	97	110	20,7	2,5
CP 1290 S SPDR	98	111	18,4	2,3

## EU Samsvarserklæring

### EU Samsvarserklæring (EU-direktiv 2006/42/EF)

Vi, Atlas Copco Construction Tools AB, erklærer herved at maskinene listet opp under er i samsvar med bestemmelsene i EU-direktiv 2006/42/EF (Maskindirektiv) og 2000/14/EF (Direktiv om støyemisjon), samt de harmoniserte standarderene som nevnes under.

Håndholdte pneumatiske spikerpistoler	Garantert lydeffektnivå [dB(A)]:	Målt lydeffektnivå [dB(A)]:	Pmaks (bar)
CP 1260 S SPDR	108	106	6.2
CP 1290 S SPDR	111	109	6.2

#### Følgende harmoniserte standarder er benyttet:

- ◆ EN ISO 11148-4

#### Følgende andre standarder er benyttet:

- ◆ Lloyds Register Quality Assurance, NoBo no.0088

#### Autorisert representant til teknisk dokumentasjon:

Per Forsberg  
Atlas Copco Construction Tools AB  
Dragonvägen 2  
Kalmar

#### Viseadministrerende Direktør Design og Utvikling:

Erik Sigfridsson

#### Fabrikant:

Atlas Copco Construction Tools AB  
391 27 Kalmar  
Sweden

#### Sted og dato:

Kalmar, 2012-11-30



Crowder Supply Co., Inc. • 8495 Roslyn St., Commerce City, CO 80022 • Toll Free: 888-883-5144 • www.CrowderSupply.com

## SVENSKA

**Innehåll**

<b>Inledning</b> .....	187
<b>Om säkerhetsinstruktionen och bruksanvisningen</b> .....	187
<b>Säkerhetsinstruktioner</b> .....	188
Säkerhetssymboler.....	188
Personliga försiktighetsåtgärder och utbildning.....	188
Installation, säkerhetsåtgärder.....	188
Drift, säkerhetsåtgärder.....	189
Underhåll, säkerhetsåtgärder.....	192
Förvaring, säkerhetsåtgärder.....	192
<b>Översikt</b> .....	193
Konstruktion och användningsområde.....	193
Maskinens huvuddelar.....	193
Dekaler.....	193
<b>Installation</b> .....	195
Slangar och anslutningar.....	195
Åtgärder för att förhindra frysning.....	195
Ansluta en vattenavskiljare.....	195
Smörjning.....	195
<b>Drift</b> .....	196
Start och stopp.....	196
Drift.....	196
När du tar rast.....	197
<b>Underhåll</b> .....	198
Dagligen.....	198
Monteringsinstruktioner.....	198
Regelbundet underhåll.....	199
Åtdragningsmoment.....	199
<b>Felsökning</b> .....	200
<b>Förvaring</b> .....	200
<b>Kassering</b> .....	200
<b>Tekniska specifikationer</b> .....	201
Maskindata.....	201
Buller- och vibrationsdeklaration.....	201
Buller- och vibrationsdata.....	201
<b>EG-deklaration om överensstämmelse</b> .....	202
EG-deklaration om överensstämmelse (EG-direktiv 2006/42/EG).....	202

## Inledning

Tack för att du väljer produkter från Chicago Pneumatic. I över ett sekel har varumärket Chicago Pneumatic stått för prestanda och förnyelse inom industrin för tryckluftsverktyg.

I dag återfinns varumärket på ett brett sortiment av trycklufts- och hydrauliska verktyg, däribland hydraulhammare, bergbormaskiner, mejselhammare, lergrävare, rost- och svetshackor, fräsar, pumpar och mycket annat.

Chicago Pneumatics varumärke är förknippat med kraftfulla och pålitliga produkter som är enkla att underhålla och ger god valuta för pengarna.

För mer information gå in på: [www.cp.com](http://www.cp.com)

Atlas Copco Construction Tools AB  
Box 703  
391 27 Kalmar  
Sweden

## Om säkerhetsinstruktionen och bruksanvisningen

Syftet med instruktionerna är att ge dig kunskap om hur man använder den tryckluftsdrivna spikhammaren på ett effektivt och säkert sätt. Du får även råd och information om hur du ska utföra det regelbundna underhållet av den tryckluftsdrivna spikhammaren.

Innan du använder den tryckluftsdrivna spikhammaren för första gången måste du läsa igenom dessa instruktioner noggrant och vara säker på att du förstår dem helt och fullt.

## Säkerhetsinstruktioner

För att minska risken för att du själv eller andra ska råka ut för allvarliga skador eller dödsfall bör du läsa och förstå denna Säkerhetsinstruktion och bruksanvisning innan du installerar, använder, reparerar, underhåller eller byter tillbehör på maskinen.

Sätt upp denna Säkerhetsinstruktion och bruksanvisning på arbetsplatsen, dela ut kopior till de anställda och se till att alla läser den innan de använder eller utför service på maskinen.

Dessutom ska användaren eller användarens arbetsgivare genomföra en bedömning av de specifika risker som kan förekomma varje gång maskinen är i drift.

## Säkerhetssymboler

Signalorden Fara, Varning och Varsamhet har följande betydelser:

<b>FARA</b>	Indikerar en överhängande farlig situation som – om den inte undviks – kommer att leda till dödsfall eller allvarlig personskada.
<b>VARNING</b>	Indikerar en farlig situation som – om den inte undviks – kan leda till dödsfall eller allvarlig personskada.
<b>OBSERVERA</b>	Indikerar en farlig situation som – om den inte undviks – kan leda till lindrig eller måttlig personskada.

## Personliga försiktighetsåtgärder och utbildning

Endast behörig och utbildad personal får använda maskinen eller utföra underhåll på den. Personalen måste orka hantera verktygets volym, vikt och kraft. Använd alltid sunt förnuft och gott omdöme.

### Personlig skyddsutrustning

Använd alltid godkänd skyddsutrustning. Maskinanvändarna och alla andra personer som vistas inom arbetsområdet måste bära minst följande skyddsutrustning:

- > Skyddshjälm
- > Hörselskydd
- > Slagtåliga skyddsglasögon med sidoskydd
- > Andningsskydd, vid behov
- > Skyddshandskar

- > Lämpliga skyddsskor
- > Lämplig arbetsoverall eller liknande kläder (inte löst sittande plagg) som täcker armar och ben.

### Droger, alkohol eller läkemedel

#### ▲ **VARNING** Droger, alkohol eller läkemedel

Droger, alkohol och läkemedel kan påverka ditt omdöme och koncentrationsförmåga. Dålig reaktionsförmåga och felbedömningar kan leda till allvarliga olyckor eller dödsfall.

- ▶ Använd inte maskinen när du är trött eller påverkad av alkohol, droger eller läkemedel.
- ▶ Personer som är påverkad av alkohol, droger eller läkemedel får inte använda maskinen.

## Installation, säkerhetsåtgärder

#### ▲ **FARA** Kastande luftslang

En tryckluftssläng som lossnar kan kastas runt och leda till personskador eller dödsfall. För att minska risken för detta:

- ▶ Kontrollera att tryckluftsslängen och anslutningarna inte är skadade, byt ut vid behov.
- ▶ Kontrollera att alla tryckluftsanslutningar är riktigt anslutna.
- ▶ Bär aldrig en tryckluftsmaskin i luftslängen.
- ▶ Försök aldrig koppla isär en tryckluftssläng som är trycksatt. Stäng först av tryckluftsförsörjningen på kompressorn och avlufta sedan maskinen genom att aktivera start- och stoppanordningen.
- ▶ Använd inte snabbkopplingar till verktygsfästet. Använd härdade slanganslutningar med stålgångor (eller material med motsvarande stöthållfasthet).
- ▶ Vid användning av universalvridkopplingar (klokkopplingar) rekommenderas montering av låssprintar samt användning av säkerhetsvagnar för att skydda vid eventuella fel på anslutningen mellan slang och verktyg eller mellan slangar.
- ▶ Rikta aldrig en tryckluftssläng mot dig själv eller någon annan. För att undvika risken för personskador ska tryckluft inte användas för att blåsa bort till exempel damm, smuts och liknande från kläderna.

## Drift, säkerhetsåtgärder

### ▲ FARA Explosionsrisk

En spik som kommer i kontakt med sprängämnen kan förorsaka en explosion. Arbete på vissa material och användning av vissa material i maskindelar kan medföra gnistbildning eller antändning. Explosioner kan orsaka allvarliga personskador eller dödsfall.

- ▶ Använd aldrig maskinen i explosiva miljöer.
- ▶ Använd inte maskinen nära brännbara material, ångor eller damm.
- ▶ Kontrollera att det inte finns några okända gaskällor eller sprängämnen i närheten.

### ▲ VARNING Oförutsedda rörelser

Spikhammaren utsätts för hög belastning vid användning. Belastningen kan medföra plötsliga och oväntade rörelser som kan orsaka personskada. Skador kan även uppstå om användaren tappar balansen eller halkar.

- ▶ Se till att du alltid står stabilt med fötterna lika brett isär som dina axlar och med kroppen i balans.
- ▶ Kontrollera alltid utrustningen före användning. Använd inte utrustningen om du misstänker att den är skadad.
- ▶ Se till att handtagen är rena och fria från smörjfett och olja.
- ▶ Håll händerna och fötterna borta från spiken.
- ▶ Stå stadigt och håll alltid i maskinen med bägge händerna.
- ▶ Starta inte maskinen när den ligger på marken.
- ▶ Gränsla aldrig maskinen så att ett ben är placerat över handtaget.
- ▶ Slå aldrig på eller på annat sätt missbruka utrustningen.
- ▶ Var uppmärksam och fokuserad på arbetsuppgiften.

### ▲ VARNING Faror med damm och ångor

Damm och/eller ångor som uppstår eller sprids vid användning av maskinen kan orsaka allvarliga permanenta sjukdomar i andningsvägar, andra sjukdomar eller fysiska skador (till exempel silikos eller andra obotliga och potentiellt dödliga lungsjukdomar, cancer, fosterskador och/eller hudinflammationer).

Vissa typer av damm och ångor som uppstår vid borring, brytning, hamrande, sågning, slipning eller andra byggrelaterade aktiviteter innehåller substanser som enligt Staten Kalifornien och andra myndigheter kan orsaka sjukdomar i andningsvägar, cancer, fosterskador eller andra fortplantningsskador. Exempel på sådana kemikalier är:

- > Kristallin kiseldioxid, cement och andra produkter för murning.
- > Arsenik och krom från kemiskt behandlat gummi.
- > Bly från blybaserade målarfärger.

Damm och ångor i luften kan vara osynliga för blotta ögat. Lita därför inte på att kunna avgöra om det finns damm eller ångor i luften med bara ögats hjälp.

Vidta samtliga följande åtgärder för att minska risken för exponering för damm och ångor:

- ▶ Gör en platsspecifik riskbedömning. Riskbedömningen bör inkludera damm och ångor orsakade av användning av maskinen samt eventuella störningar från existerande damm.
- ▶ Använd lämpliga tekniska kontrollåtgärder för att minimera mängden damm och ångor i luften och minimera påbyggnad på utrustning, ytor, kläder och kroppsdelar. Exempel på sådana åtgärder är: utsugsventilation och dammuppsamlare, vattenspray och våtbörning. Kontrollera om möjligt damm och ångor vid källan. Se till att tekniska åtgärder införs, upprätthålls och används på korrekt sätt.
- ▶ Se till att bära, underhålla och använda andningsskydd på korrekt sätt, i enlighet med arbetsgivarens instruktioner och gällande arbetsmiljöbestämmelser. Andningsskyddet måste ge ett effektivt skydd för det aktuella ämnet (och i förekommande fall vara godkänt av berörd myndighet).
- ▶ Arbeta i väl ventilerade utrymmen.
- ▶ Om maskinen är försedd med utblås bör detta riktas så att störningarna från damm i dammfyllda miljöer reduceras.
- ▶ Använd och underhåll maskinen i enlighet med rekommendationerna i säkerhetsinstruktioner och bruksanvisning.

- ▶ Välj, underhåll samt byt ut förbrukningsartiklar/insatsverktyg/övriga tillbehör enligt rekommendationerna i säkerhetsinstruktioner och bruksanvisning. Felaktigt val eller bristande underhåll på förbrukningsvaror/insatsverktyg/övriga tillbehör kan leda till en onödig ökning av mängden damm eller ångor.
- ▶ Använd tvättbara skyddskläder eller skyddskläder för engångsbruk på arbetsplatsen. Duscha och byt om till rena kläder innan du lämnar arbetsplatsen för att minska exponering för damm och ångor för såväl dig själv som andra personer, i bilar, hem samt andra platser.
- ▶ Undvik att äta, dricka eller använda tobaksprodukter på platser med damm och ångor.
- ▶ Tvätta händer och ansikte så snart som möjligt när du lämnar exponeringsområdet och alltid innan du äter, dricker, använder tobaksprodukter eller har kontakt med andra människor.
- ▶ Följ alla tillämpliga lagar och bestämmelser, inklusive arbetsmiljöbestämmelser.
- ▶ Delta i övervakning av luftkvaliteten, medicinska undersökningar samt arbetsmiljöutbildningar som erbjuds av arbetsgivaren eller branschorganisationer i enlighet med arbetsmiljöbestämmelser och -rekommendationer. Rådgör med läkare med relevant kompetens i yrkesmedicin.
- ▶ Arbeta tillsammans med arbetsgivaren och branschorganisationen för att minska exponeringen för damm och ångor på arbetsplatsen och minska riskerna. För att skydda arbetstagare och andra mot skadlig exponering av damm och ångor bör effektiva arbetsmiljöprogram, riktlinjer och metoder tas fram och implementeras, baserade på råd från arbetsmiljöexperter. Rådgör med experter.
- ▶ Rester av farligt material på maskinen kan innebära en risk. Rengör maskinen grundligt innan du underhåller den.

### ▲ **VARNING** Kringflygande föremål

Defekter i arbetsmaterialet, i tillbehör eller till och med i själva maskinen kan leda till att det finns risk för kringflygande föremål. Under användning kan flisor eller andra föremål från arbetsmaterialet flyga iväg och orsaka personskador genom att träffa maskinanvändaren eller andra personer. För att minska dessa risker:

- ▶ Använd godkänd personlig skyddsutrustning och skyddshjälm, inklusive slagtåliga skyddsglasögon med sidoskydd.
- ▶ Håll obehöriga personer på avstånd från arbetsområdet.
- ▶ Håll arbetsplatsen ren och fri från främmande föremål.
- ▶ Se till att spiken är ordentligt säkrad.

### ▲ **VARNING** Risker vid spikdrivning

Det finns risk för personskador om spiken inte är ordentligt anbringad i arbetsstycket innan maskinen tas i bruk.

- ▶ Se alltid till att säkra spiken innan maskinen används.
- ▶ Du får inte hålla i eller vidröra spiken vid drivning.

### ▲ **VARNING** Risk för halk-, snubbel- och fallolyckor

Det finns risk för halk-, snubbel- eller fallolyckor, användaren kan till exempel snubbla över slangar eller andra föremål. Halk-, snubbel- och fallolyckor kan orsaka skador. För att minska risken för detta:

- ▶ Se alltid till att inga slangar eller andra föremål ligger i vägen för dig eller någon annan person.
- ▶ Se till att alltid stå stabilt med fötterna lika brett isär som dina axlar och med kroppen i balans.

### ▲ **VARNING** Risker vid rörelser

När maskinen används för att utföra arbetsrelaterade aktiviteter kan det hända att du upplever obehag i händer, armar, axlar, nacke eller andra delar av kroppen.

- ▶ Stå i en bekväm ställning med fötterna säkert placerade. Undvik onormala ostadiga kroppsställningar.
- ▶ Byte av kroppsställning kan vara ett sätt att undvika obehag och trötthet under utdragna arbetsuppgifter.
- ▶ Rådgör med kvalificerad hälso- och sjukvårdspersonal vid ihållande eller återkommande symptom.

**▲ VARNING Vibrationsfaror**

Normal och korrekt användning av maskinen utsätter användaren för vibrationer. Regelbunden och frekvent exponering för vibrationer kan orsaka, bidra till eller förvärra skador eller problem i användarens fingrar, händer, handleder, armar, skuldror och/eller nerver och blodtillförsel eller andra kroppsdelar. Detta omfattar försvagningar och/eller permanenta skador eller problem som kan utvecklas gradvis under flera veckor, månader eller år. Sådana skador eller problem kan omfatta skador på blodomlopp, nervsystem och leder, men även på andra kroppsstrukturer.

Sluta använda maskinen, underrätta din arbetsgivare och kontakta läkare vid besvär med ihållande återkommande obehag, brännande känslor, stelhet, bultande, domningar, stickningar, värk, försämrad finmotorik eller greppförmåga, om huden vitnar eller andra symptom uppstår vid användning av maskinen eller efter användning av maskinen. Fortsatt användning av maskinen när sådana symptom uppstår kan öka risken för att symptomen förvärras och/eller blir bestående.

Använd och underhåll maskinen enligt rekommendationerna i dessa instruktioner för att undvika onödiga vibrationsökningar.

Följande åtgärder kan bidra till att minska risken för att användaren utsätts för vibrationer:

- ▶ Låt maskinen göra jobbet. Håll inte hårdare i handtaget än vad som behövs för kontroll och säker drift.
- ▶ Om maskinen har vibrationsdämpande handtag, håll dessa i central position och undvika att trycka in handtagen i ändstoppen.
- ▶ När slagmekanismen är aktiverad ska ingen annan del av kroppen komma i kontakt med maskinen förutom dina händer på handtaget/handtagen. Du bör till exempel inte stödja någon del av kroppen mot maskinen eller luta dig mot den för att försöka öka matningskraften. Det är dessutom viktigt att inte hålla inne start- och stoppanordningen när man drar ut insatsverktyget från arbetsytan.
- ▶ Se till att insatsverktyget är i bra skick (samt att det är vasst om det är ett skärverktyg), har rätt storlek och inte är utslitit. Insatsverktyg som inte underhålls på rätt sätt, som är utslitna eller som har fel storlek gör att arbetet tar längre tid (vilket medför längre exponering för vibrationer) och kan resultera i eller bidra till att användaren utsätts för mer vibrationer.
- ▶ Avbryt arbetet omedelbart om maskinen plötsligt börjar vibrera våldsamt. Ta reda på orsaken till de ökade vibrationerna och åtgärda felet innan du återupptar arbetet.

- ▶ Du får inte ta tag i, hålla i eller vidröra insatsverktyget medan maskinen är igång.
- ▶ Delta i hälsokontroller, medicinska undersökningar och utbildningsprogram när arbetsgivaren erbjuder det eller när lagen kräver det.
- ▶ Bär varm klädsel och se till att hålla händerna varma och torra vid arbete under kalla förhållanden.
- ▶ Frånluften är starkt kyld och får inte komma i kontakt med användaren. Rikta alltid frånluften bort från händerna och kroppen.

Se maskinens "Buller- och vibrationsdeklaration", inklusive de deklarerade vibrationsvärdena. Denna information återfinns i slutet av denna Säkerhetsinstruktion och bruksanvisning.

- ◆ Använd rekommenderat lufttryck vid användning av maskinen. Såväl högre som lägre lufttryck kan leda till ökade vibrationer.

**▲ FARA Elektriska faror**

Maskinen är inte elektriskt isolerad. Om maskinen kommer i kontakt med elektricitet kan allvarliga personskador eller dödsfall inträffa.

- ▶ Använd inte maskinen i närheten av elledningar eller andra elektriska källor.
- ▶ Säkerställ att det inte finns några dolda ledningar eller andra elektriska källor i arbetsområdet.

**▲ VARNING Faror med dolda föremål**

Under drift kan dolda ledningar och rör utgöra en fara som kan leda till allvarliga personskador.

- ▶ Kontrollera materialets sammansättning innan du påbörjar arbetet.
- ▶ Se upp för dolda ledningar och rör, till exempel el-, telefon-, vatten-, eller gasledningar samt avloppsrör etc.
- ▶ Stäng omedelbart av maskinen om spiken verkar ha träffat ett dolt föremål.
- ▶ Påbörja inte arbetet igen förrän det är riskfritt att fortsätta.

**▲ VARNING Oavsiktlig start**

Oavsiktlig start av maskinen kan leda till personskador.

- ▶ Håll händerna borta från start- och stoppanordningen tills arbetet skall påbörjas.
- ▶ Lär dig hur man stänger av maskinen i händelse av nödfall.
- ▶ Släpp omedelbart start- och stoppanordningen vid avbrott i kraftförsörjningen.

- ▶ Stäng av tryckluftsförsörjningen, lufta maskinen genom att trycka in start- och stoppanordningen, och koppla ifrån maskinen från kraftkällan innan du utför kontroller och rengöring, samt vid alla typer av underhålls- eller installationsarbeten.

### **▲ VARNING Risker med buller**

Höga ljudnivåer kan orsaka permanenta hörselskador och andra problem som tinnitus (ringande, surrande, visslande eller brummande ljud i öronen). För att minska risken och undvika onödigt förhöjda ljudnivåer:

- ▶ Gör en riskbedömning av dessa risker och inför lämpliga kontroller.
- ▶ Använd och underhåll maskinen i enlighet med rekommendationerna i denna instruktionsbok.
- ▶ Om maskinen är försedd med ljuddämpare, kontrollera att denna sitter på plats och är i gott skick.
- ▶ Använd alltid hörselskydd.

## **Underhåll, säkerhetsåtgärder**

---

### **▲ VARNING Maskinmodifieringar**

Eventuella modifieringar av maskinen kan leda till att du själv eller andra personer skadas.

- ▶ Modifiera inte maskinen. Modifierade maskiner omfattas inte av garantin eller tillverkarens produktansvar.
- ▶ Använd endast godkända reservdelar och tillbehör.
- ▶ Byt omedelbart ut skadade delar.
- ▶ Byt ut slitna delar i god tid.

## **Förvaring, säkerhetsåtgärder**

---

- ◆ Förvara maskiner och verktyg på en säker, låst plats utom räckhåll för barn.



## Översikt

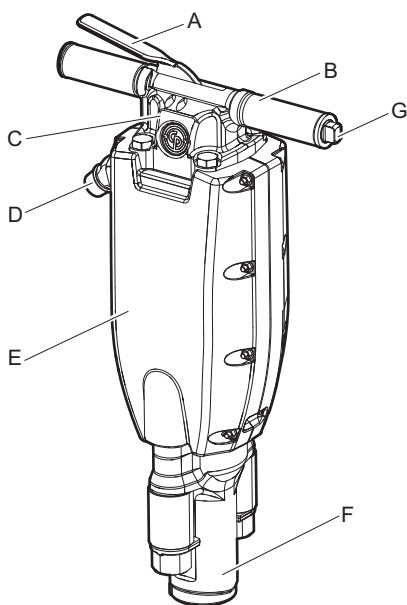
**För att minska risken för allvarliga personskador eller till och med dödsfall ska du läsa avsnittet med säkerhetsinstruktionerna på de föregående sidorna i denna bruksanvisning innan du använder maskinen.**

## Konstruktion och användningsområde

CP 1260 S SPDR och CP 1290 S SPDR är avsedda för drivning av spikar i järnvägsräls, tält samt vid byggnation och anläggningsunderhåll.

De har en öppen underdel som gör det möjligt att driva ned en mängd olika föremål. Föremålens maximala huvuddiameter är 1 3/4 in. (44 mm). De tryckluftsdrevna spikhamrarna är avsedda för vertikal användning. Ingen annan användning är tillåten.

## Maskinens huvuddelar

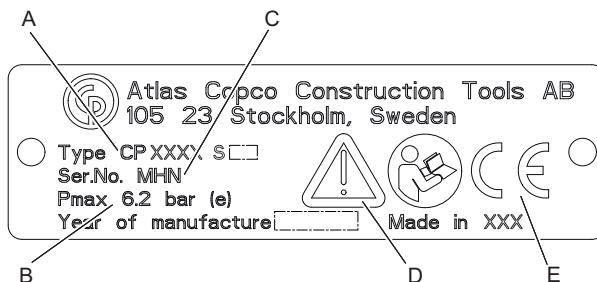


- A. Start- och stoppanordning
- B. Handtag
- C. Överdel
- D. Luftintag
- E. Ljuddämpare
- F. Underdel
- G. Smörjapparat

## Dekaler

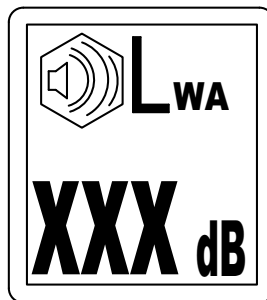
Maskinen är försedd med dekaler som innehåller viktig information om personlig säkerhet och maskinunderhåll. Dekalerna ska vara i sådant skick att de enkelt kan läsas. Nya dekaler kan beställas med hjälp av reservdelslistan.

### Typskylt



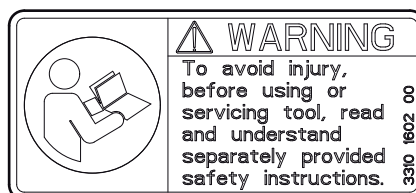
- A. Modell
- B. Maximalt tillåtet lufttryck
- C. Serienummer
- D. Varningssymbol ihop med boksymbol innebär att användaren ska läsa igenom säkerhetsinstruktionen och bruksanvisningen innan maskinen används för första gången.
- E. CE-symbolen betyder att maskinen är EG-godkänd. Se den EG-deklaration som medföljer maskinen för närmare information. Om CE-symbolen saknas betyder att maskinen inte är EG-godkänd.

### Ljudnivådekal



Dekalen anger den garanterade ljudnivån i enlighet med EU-direktiv 2000/14/EG. Se "Teknisk specifikation" för rätt ljudnivå.

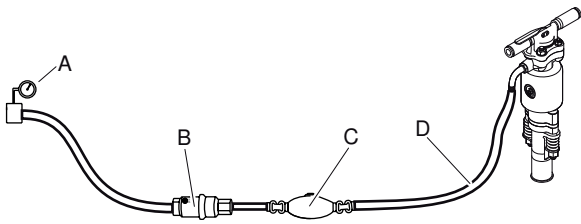
### Säkerhetsdekal



För att undvika skador bör du läsa och förstå separat bifogade säkerhetsinstruktioner innan du använder eller underhåller verktyg.

## Installation

### Slangar och anslutningar



- A. Tryckluftskälla
  - B. Vattenavskiljare (tillval)
  - C. Smörjapparat (tillval)
  - D. Max 10 feet (3 meter) tryckluftsslang mellan smörjapparaten och maskinen.
- ♦ Kontrollera att du använder det rekommenderade arbetstrycket på 87 psig (6 bar (e)).
  - ♦ Det högsta tillåtna lufttrycket 90 psig (6,2 bar (e)) får ej överskridas.
  - ♦ Blås ur eventuella föroreningar ur tryckluftsslangen innan du ansluter den till maskinen.
  - ♦ Välj rätt dimension och längd på tryckluftsslangen. Använd en slang med en innerdiameter på minst  $\frac{3}{4}$  in. (19 mm) för slanglängder upp till 100 feet (30 meter). För slanglängder på 100 till 330 feet (30 till 100 meter) ska en slang med en innerdiameter på minst 1 in. (25 mm) användas.

### Åtgärder för att förhindra frysning

Isbildning i ljudämparen kan uppstå om temperaturen på omgivningsluften är 32-50 °F (0-10 °C) och den relativa luftfuktigheten är hög.

Maskinen är utformad för att motverka isbildning i ljudämparen. Trots detta kan det bildas is i ljudämparen under extrema förhållanden.

Följande åtgärder kan vidtas för att ytterligare motverka risken för isbildning:

- ♦ Använd CP Airolene Plus Tool Oil som smörjmedel. CP Airolene Plus Tool Oil motverkar frysning.
- ♦ Använd vattenavskiljare.

### Ansluta en vattenavskiljare

Luftslangen mellan kompressorn och vattenavskiljaren måste vara så lång att vattenångan kyles och kondenseras i slangen innan den når vattenavskiljaren.

Vid en omgivningstemperatur under 32 °F (0 °C) skall slangen vara så kort att vattnet inte hinner frysa innan det når vattenavskiljaren.

### Smörjning

#### Smörjning

Smörjmedlet är viktigt för maskinens funktion och har stor inverkan på maskinens livslängd. För att tillföra rätt mängd olja bör en smörjapparat anslutas till luftslangen. Vi rekommenderar användning av Chicago Pneumatics smörjapparat för luftledningar. För att garantera god smörjning får längden på luftslangen mellan smörjapparaten och tryckluftsverktyget inte överstiga 10 feet (3 meter). Användning av för mycket smörjmedel kan medföra startproblem, låg effekt eller att maskinen går ojämnt.

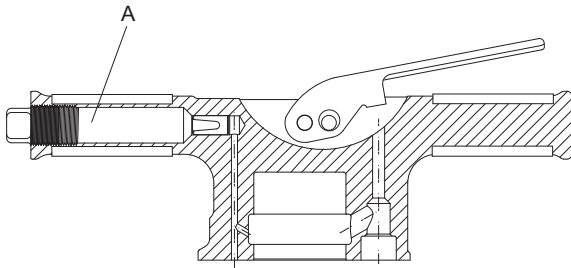
Använd ett syntetiskt smörjmedel som CP Airolene Plus verktygsolja eller mineralolja med de egenskaper som rekommenderas i tabellen nedan.

Smörjmedel	Temperatur område °F (°C)	Viskositet
CP Airolene Plus verktygsolja	-4 till +120 (-20 till +50)	-
Luftverktygsolja	-4 till +60 (-20 till +15)	100-150 SUS (ISO VG 22-32)
Luftverktygsolja	+60 till +120 (+15 till +50)	225-350 SUS (ISO VG 46-68)

Vi rekommenderar en olja som innehåller rostskyddsmedel.

#### Kontrollera nivån och fylla på smörjmedel

- ♦ Oljenivån ska kontrolleras varje dag.
- ♦ Torka rent runt oljepluggen och ta bort den.
- ♦ Kontrollera att gängorna inte är skadade eller slitna.
- ♦ Om någon del har skadade eller slitna gängor måste den bytas ut.
- ♦ Fyll på smörjmedel i (A).



- ◆ Dra åt pluggen ordentligt och torka av eventuell överflödig olja.

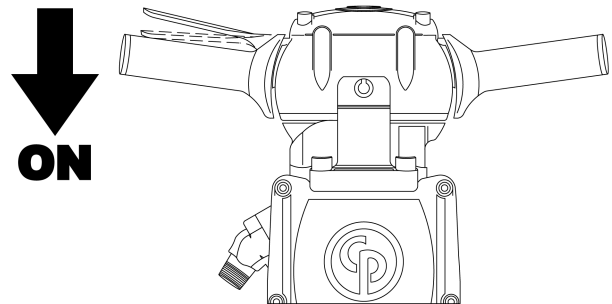
## Drift

### ▲ VARNING Oavsiktlig start

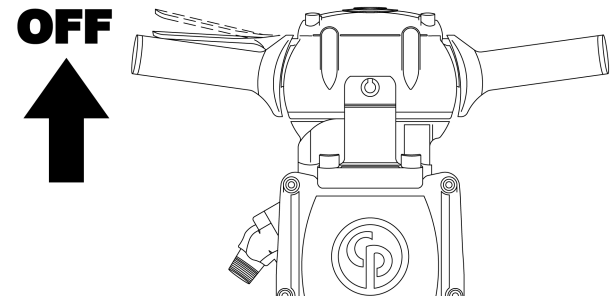
Oavsiktlig start av maskinen kan leda till personskador.

- ▶ Håll händerna borta från start- och stoppanordningen tills arbetet skall påbörjas.
- ▶ Lär dig hur man stänger av maskinen i händelse av nödfall.
- ▶ Stanna maskinen omedelbart i händelse av störningar i kraftförsörjningen.

## Start och stopp



Starta den tryckluftsdrivna spikhammaren genom att trycka in start- och stoppanordningen.



Stäng av den tryckluftsdrivna spikhammaren genom att släppa upp start- och stoppanordningen. Start- och stoppanordningen återgår automatiskt till stoppläget.

## Drift

- ◆ Se till att de spikar som ska drivas ned är korrekt placerade.
- ◆ Placera spikhammaren ovanpå spikhuvudet och se till att de två är linjerade.
- ◆ Stå stadigt med fötterna på säkert avstånd från spiken.
- ◆ Använd lämpligt matningstryck och påbörja drivningen.

- ◆ Släpp upp start- och stoppanordningen när spiken drivits ned helt.
- ◆ Låt maskinen göra jobbet. Tryck inte för hårt.
- ◆ Undvik alla former av tomgångskörning eller drift utan matningstryck.
- ◆ Start- och stoppanordningen får inte aktiveras då maskinen saknar matningstryck.
- ◆ Kontrollera regelbundet att maskinen är välsmord.

**OBS!** Du får inte hålla i eller vidröra spiken vid drivning.

## **När du tar rast**

---

- ◆ Vid rast skall maskinen placeras så att den inte startas av misstag. Placera maskinen säkert på marken så att den inte kan falla omkull.
- ◆ Vid längre raster eller om du lämnar arbetsplatsen: Stäng av kraftförsörjningen och lufta sedan maskinen genom att aktivera start- och stoppanordningen.

## Underhåll

Regelbundet underhåll är en förutsättning för att maskinen ska fortsätta vara säker och effektiv att använda. Följ underhållsinstruktionerna noggrant.

- ◆ Rengör maskinen före underhållsarbeten för att undvika att utsättas för skadliga ämnen. Se "Faror med damm och ångor"
- ◆ Använd endast originaldelar. Eventuella skador eller fel som uppstår genom användning av ej godkända delar täcks inte av garantin eller tillverkarens produktansvar.
- ◆ Följ gällande föreskrifter för hälsa och säkerhet och sörg för god ventilation vid rengöring av mekaniska delar med lösningsmedel.
- ◆ Kontakta närmaste auktoriserade verkstad vid mer omfattande service av maskinen.
- ◆ Kontrollera att maskinens vibrationsnivå är normal efter varje servicetillfälle. Vid onormal vibrationsnivå kontakta närmaste auktoriserade verkstad.

## Dagligen

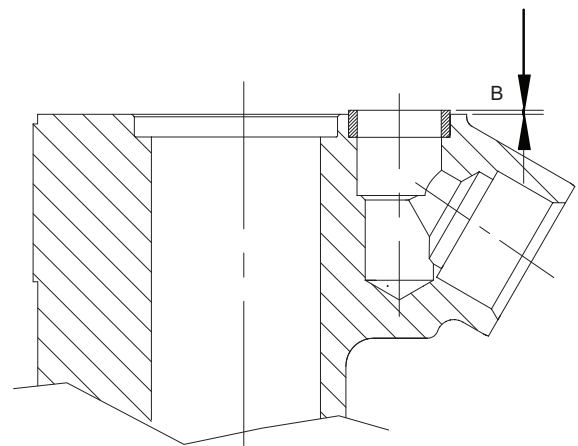
Stäng alltid av tryckluftförsörjningen och lufta maskinen genom att trycka in start- och stoppanordningen innan du utför underhåll på tryckluftsmaskiner. Koppla därefter loss luftslangen från maskinen.

- ◆ Rengör och kontrollera maskinen och dess funktioner dagligen innan arbetet börjar.
- ◆ Genomför en allmän inspektion för att identifiera eventuella läckor eller skador.
- ◆ Kontrollera att luftpipeln är åtdragen och att klockopplingen är oskadad.
- ◆ Byt omedelbart ut skadade delar.
- ◆ Byt ut slitna delar i god tid.
- ◆ Se till att all ansluten utrustning och kringutrustning såsom slangar, vattenavskiljare och smörjapparat underhålls ordentligt.

## Monteringsinstruktioner

Iaktta viss försiktighet vid montering och demontering av verktyget för att undvika gradning eller repning av precisionsbyggda delar, eller att dessa blir skeva.

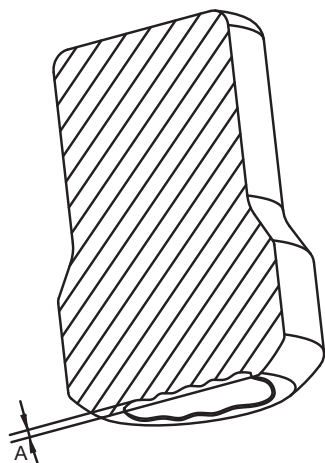
1. Kontrollera alla ytor där metall ligger mot metall efter hack eller grader både före och under montering.
2. Smörj alla O-ringar och applicera rekommenderat smörjmedel på alla rörliga delar på verktyget innan det monteras ihop.
3. Var försiktig vid monteringen så att inte verktyget smutsas ned, särskilt mellan passytor.
4. Bultarna i underdelen måste dras åt så att buffertarna pressas samman jämnt längs den monterade längden som anges i avsnittet "Åtdragningsmoment".
5. När maskinen är ihopmonterad, häll ca ½ oz. (1,5 cl) rekommenderad olja i luftintaget och kör den tryckluftsdrevena spikhammaren i 10-15 sekunder med reducerat varvtal. Vid användning av den tryckluftsdrevena spikhammaren på golv, kör med reducerat varvtal för att undvika skador på kolven, städet och underdelen.
6. Kontrollera innan bakstycket monteras på cylindern att tätningen sticker ut cirka (B) 1/16 in. (1,6 mm) från cylinderns sida.



## Regelbundet underhåll

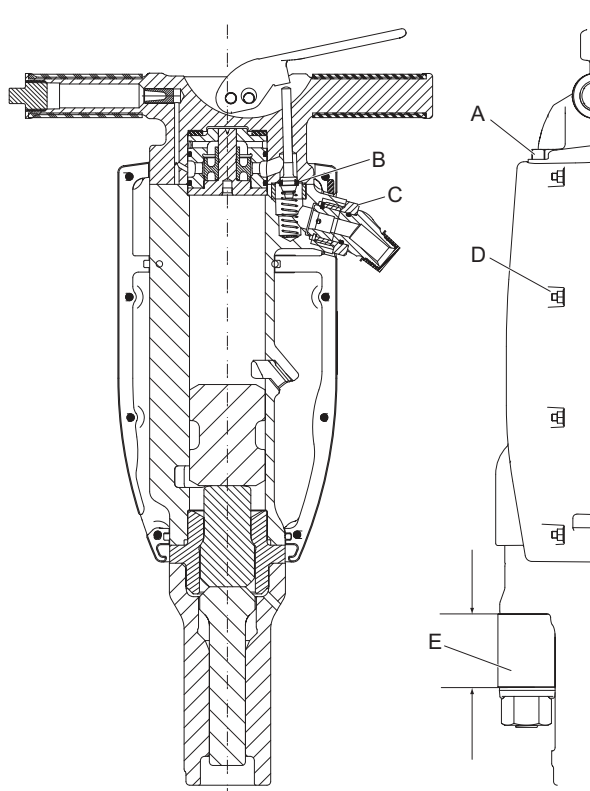
Efter varje driftsperiod om ungefär 150 arbetstimmar eller tre gånger om året måste maskinen tas isär och alla delar rengöras och kontrolleras. Detta arbete skall utföras av behörig personal som är utbildad för denna uppgift.

1. Se till att passningsytorna är rena och jämna och att skruvarna är åtdragna.
2. Rengör och undersök noggrant alla invändiga delar och kontrollera att de fria från rost, grus och främmande föremål.
3. Rengör och undersök noggrant ventildelarna. Kontrollera att ventilen rör sig obehindrat.
4. Kontrollera att anslagsytorna på städet är parallella och plana. Slipa ner höga kanter om städet är kumat men rör inte den polerade ytan på städet som slår på verktygsnacken. Max tillåtet slitage (A)  $\frac{1}{32}$  " (1 mm). Se nedanstående bild.



## Åtdragningsmoment

**OBS!** Vid montering av en klokoppling eller annan anslutning till sviveln måste Loctite® 263™ (Loctite är ett registrerat varumärke som ägs av Henkel Corporation. 263 är ett varumärke ägt av Henkel Corporation) eller liknande användas.



- A. Åtdragningsmoment: CP 1260 S SPDR och CP 1290 S SPDR, 100 lbf.ft (135 Nm).
- B. Cylinderpackningen måste sticka ut cirka  $\frac{1}{16}$  in. (1,6 mm) innan bakstycket monteras.
- C. Åtdragningsmoment: 150 lbf.ft (200 Nm). Använd Loctite® 263™ (Loctite är ett registrerat varumärke som ägs av Henkel Corporation. 263 är ett varumärke ägt av Henkel Corporation).
- D. Åtdragningsmoment, ljuddämpare 6-7 lbf.ft (8-10 Nm).
- E. Monterad längd för buffert.

Modell	Min-maxlängd in. (mm)
CP 1260 S SPDR	2,14-2,19 (54,4-55,6)
CP 1290 S SPDR	2,55-2,61 (64,8-66,2)

## Felsökning

Om tryckluftsmaskinen inte startar, har låg effekt eller går ojämnt ska följande kontrolleras:

- ◆ Kontrollera att tryckluftsmaskinen får rätt mängd smörjmedel. Användning av för mycket smörjmedel kan medföra startproblem, låg effekt eller att maskinen går ojämnt.
- ◆ Kontrollera att tryckluftssystemet förser maskinen med tillräckligt lufttryck för att uppnå full effekt.
- ◆ Kontrollera att luftslangens diameter och längd följer rekommendationerna. Se "Installation".
- ◆ Vid risk för frysning, kontrollera att maskinens utloppsportar inte är blockerade.
- ◆ Om maskinen fortfarande inte fungerar tillfredsställande, kontakta en auktoriserad serviceverkstad.

## Förvaring

- > Rengör maskinen noga innan den läggs i förvaring för att undvika skadliga ämnen. Se "Faror med damm och ångor"
- > Häll cirka 1/2 oz (5 cl) olja direkt i luftnippeln, anslut maskinen till tryckluftsförsörjningen och kör den några sekunder.
- > Förvara alltid maskinen på en torr plats.

## Kassering

En uttjänt maskin skall hanteras och kasseras på ett sådant sätt att största möjliga del av materialet kan återvinnas. All form av negativ inverkan på miljön skall i möjligaste mån undvikas och lokala begränsningar respekteras.



## Tekniska specifikationer

### Maskindata

Typ	Max huvuddiameter in. (mm)	Vikt lb (kg)	Längd in. (mm)	Slagfrekvens slag/min (Hz)	Luftförbrukning cfm (l/s)
CP 1260 S SPDR	1¼ (44)	65 (29,5)	24,7 (625)	1300 (21,5)	73 (34,5)
CP 1290 S SPDR	1¼ (44)	84 (38)	26 (660)	1100 (18,3)	91 (43)

### Buller- och vibrationsdeklaration

Garanterad ljudeffektnivå **L<sub>w</sub>** enligt EN ISO 3744 i enlighet med direktiv 2000/14/EG.

Ljudtrycksnivå **L<sub>p</sub>** enligt EN ISO 11203.

Vibrationsvärde **A** och osäkerhet **B** fastställt enligt EN ISO 20643. Se tabellen "Buller- och vibrationsdata" för värden på A, B etc.

Dessa deklarerade värdena har erhållits genom laboratorietester i enlighet med nämnda direktiv eller standarder och är lämpliga att jämföra med deklarerade värden för andra verktyg som testats i enlighet med samma direktiv eller standarder. Dessa deklarerade värden är inte lämpliga att använda vid riskbedömningar. Värden som uppmäts på enskilda arbetsplatser kan vara högre. De faktiska exponeringsvärdena och de skaderisker som en enskild användare utsätts för är unika och beror på personens arbetssätt, i vilket material maskinen används, användarens exponeringstid och fysiska kondition samt maskinens skick.

Atlas Copco Construction Tools AB kan inte hållas ansvarigt för konsekvenserna av att de deklarerade värdena används, istället för värden som återspeglar den faktiska exponeringen vid en enskild riskbedömning i en arbetsplatsituation över vilken Atlas Copco Construction Tools AB inte har någon kontroll.

Det här verktyget kan orsaka hand-/armvibrationssyndrom om det inte används på rätt sätt. En EU-guide som tar upp frågor om hand-/armvibrationer finns tillgänglig på

<http://www.humanvibration.com/humanvibration/EU/VIBGUIDE.html>

Vi rekommenderar någon form av hälsoövervakningsprogram för att upptäcka tidiga symptom som kan hänföras till exponering för vibrationer, så att åtgärder kan vidtas för att förebygga framtida försämring.

### Buller- och vibrationsdata

Typ	Buller		Vibrationer	
	Ljudtryck	Ljudeffekt	Värden i tre riktningar	
	Deklarerade värden		Deklarerade värden	
	EN ISO 11203	2000/14/EG	EN ISO 20643	
	<b>L<sub>p</sub></b> r=1m dB(A) rel 20µPa	<b>L<sub>w</sub></b> garanterat dB(A) rel 1pW	<b>A</b> m/s <sup>2</sup> värde	<b>B</b> m/s <sup>2</sup> spridning
CP 1260 S SPDR	97	110	20,7	2,5
CP 1290 S SPDR	98	111	18,4	2,3

# EG-deklaration om överensstämmelse

## EG-deklaration om överensstämmelse (EG-direktiv 2006/42/EG)

Vi, Atlas Copco Construction Tools AB, försäkras härmed att nedanstående maskiner uppfyller bestämmelserna i EG-direktiv 2006/42/EG (Maskindirektivet) och 2000/14/EG (Bullerdirektivet), samt nedanstående harmoniserade standarder.

Handhållna tryckluftsdrivna spikhammare	Garanterad ljudeffektsnivå dB(A)	Uppmätt ljudeffektsnivå dB(A)	Maxtryck (bar)
CP 1260 S SPDR	110	108	6,2
CP 1290 S SPDR	111	109	6,2

### Följande harmoniserade standarder tillämpades:

- ◆ EN ISO 11148-4

### Följande övriga standarder tillämpades:

- ◆ Lloyds Register Quality Assurance, NoBo no.0088

### Auktoriserad representant för teknisk dokumentation:

Per Forsberg  
 Atlas Copco Construction Tools AB  
 Dragonvägen 2  
 Kalmar

### Vice vd Design and Development:

Erik Sigfridsson

### Tillverkare:

Atlas Copco Construction Tools AB  
 391 27 Kalmar  
 Sweden

### Ort och datum:

Kalmar, 2012-11-30





**Chicago  
Pneumatic**

Crowder Supply Co., Inc. • 8495 Roslyn St., Commerce City, CO 80022 • Toll Free: 888-883-5144 • www.CrowderSupply.com

**2012-10 | No. 9800 1352 90**

© Copyright Atlas Copco Construction Tools AB | KALMAR • SWEDEN